



**IMPERIAL**  
USA



2017 Edition

---

5808 Long Creek Park Drive Suite A Charlotte, NC 28269

Phone # 1-800-256-7377

Fax# 1-800-376-6536

[www.impusa.com](http://www.impusa.com)

# Welcome to Imperial USA Ltd.

Your solution provider for all your commercial and residential door hardware needs.

Global Door Controls and Trans-Atlantic Company have combined their hardware offerings and Customer Service Specialists to best service our customer's daily needs. In doing this it will give our customers a wide breath of product offerings and personal customer support that will establish lasting relationships, exceeding your expectations. Our pledge to you as your supplier of door hardware products is to ship high quality products, complete and on time and competitively priced.

We specialize in wholesale door hardware for commercial buildings, institutions, commercial door and window manufacturers, single family residences and multi-family apartment buildings. We offer a full range of commercial door hardware for hollow metal, wood and store-front doors.

Please review our new catalog of products. You can also go online at [www.impUSA.com](http://www.impUSA.com) and download this catalog.

To establish an account please complete the credit application and sales & use certificate available online or in our Price Book. Please fax the completed forms to 1-800-376-6536.

If you are an existing customer you can order your door hardware needs online. You will have access to on-hand quantities and account specific information, including invoice details, open order details and account balances.

All the employees at Imperial USA Ltd. are here to support our customers. We strive for total customer satisfaction from every customer's call to every shipment to you.

We appreciate your continued support as we work together to grow your business.

# TABLE OF CONTENTS

**Locksets**

**Exit Devices**

**Door Closers**

**Hinges**

**Storefront**

**General Hardware**

Locksets.....1

Exit Devices.....28

Door Closers.....37

Hinges.....56

Storefront.....65

General Hardware.....79

# **LOCKSETS**

---



**Cylindrical Locks**

Grade 1 LHV Levers..... 2  
 Grade 1 HVB Knobs..... 4  
 Grade 2 GAL Levers..... 6  
 Grade 2 LSV Levers..... 8  
 Grade 2 SVB Knobs..... 10  
 Grade 2 GLC Levers and Knobs..... 12  
 Grade 2 GLC Deadbolts..... 14  
 Grade 3 ECB Knobs..... 15  
 Grade 3 DB700 Deadbolts..... 16

**Tubular Locks**

Grade 3 DB200 Deadbolts..... 17  
 Grade 3 GLS Knobs and Levers..... 18  
 Grade 3 GLS Deadbolts..... 19

**Mortise Locks**

Grade 1 DXML Mortise Locks..... 20  
 ML800 Atrium Mortise Locks..... 22  
 ML914 / ML920 Mortise Locks..... 23

**Lock Parts**

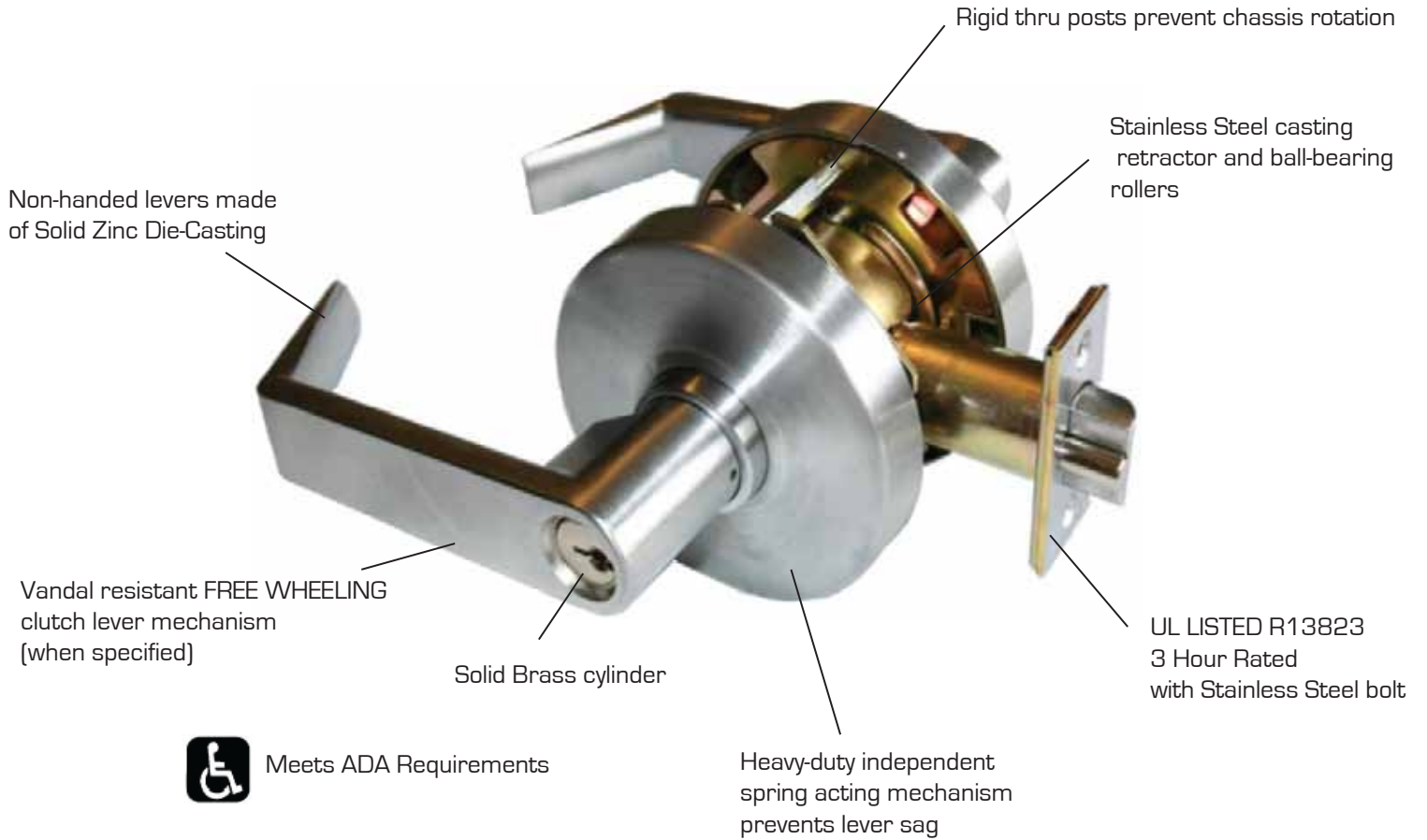
Cylinders and Accessories..... 24

**Reference**

Functions and Specifications..... 25

## HEAVY DUTY COMMERCIAL CYLINDRICAL LEVER

The DL-LHV Series cylindrical leversets are designed for use on heavy duty Grade 1 commercial applications. The LHV series is ADA compliant and features a free wheeling clutch mechanism option that ensures longevity and security.



### CODE COMPLIANCE



- UL Listed R13823 (mfg. HL5000), ANSI A156.2 Grade1, UL10C and UBC 7.2 for positive pressure
- ANSI A117.1 ADA Barrier-free Accessibility
- C-UBC California Uniform Builders Code -2001
- NFPA-80 National Fire Protection -1999
- NFPA-101 National Fire Protection - Life Safety-2000



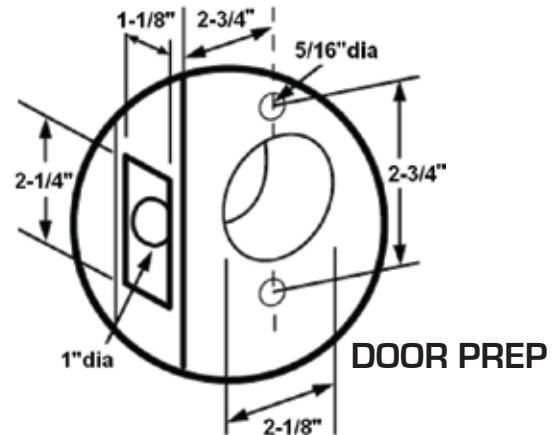
**IC CORE OPTION**  
[core not included]

## FEATURES

- Certification: ANSI A 156.2 Grade 1
- Door Thickness: 1 3/4" - 2"
- Backset UL Listed(R13823): 2 3/4" face, 1 1/8" x 2 1/4"
- Cylinder: Schlage "C" keyway
- Keying: Schlage 6 pin keyed
- Key: 2 six pin Nickel Plated
- Functions: See below
- Latch: 5/8" projection Stainless Steel 3 hour
- Bore: 2 1/8" hole retrofits all cylindrical locksets
- Fits 161 Prep
- Strike: ANSI 1 1/4" x 4 7/8" strike
- Non-handed / reversible
- Warranty: Lifetime mechanical. 10 year finish.
- Finish: US26D

## OPTIONS

- CL - Clutch function - Lever rotates without unlatching lock
- IC - Small format Figure 8 Interchangeable Core NOT included
- DL-DLUL238 - 2 3/8" backset, Deadlatch
- DL-SLUL238 - 2 3/8" backset, Springlatch
- DL-TA013 - 1 1/8" x 2 3/4" "T" Strike



## CROSS REFERENCE

FUNCTION	TA	DORMA	HAGER	CAL-ROYAL	PDQ	SCHLAGE
PASSAGE	<b>DL-LHV10</b>	CL810	3410	(C) GN-30	GT126	ND10S
PRIVACY	<b>DL-LHV40</b>	CL840	3440	(C) GN-20	GT176	ND40S
ENTRANCE	<b>DL-LHV53</b>	CL853	3453	(C) GN-00	GT116	ND53PD
CLASSROOM	<b>DL-LHV70</b>	CL870	3470	(C) GN-03	GT148	ND70PD
STOREROOM	<b>DL-LHV80</b>	CL880	3480	(C) GN-04	GT115	ND80PD

## ACCESSORIES



**DL-DLUL238G1** 2 3/8"  
**DL-DLUL234G1** 2 3/4"  
Backset Deadlatch



**DL-TA013**  
1 1/4" x 2 3/4"  
"T" Strike



**DL-TA001**  
1 1/4" x 4 7/8"  
ASA Strike



**DL-SLUL238G1** 2 3/8"  
**DL-SLUL234G1** 2 3/4"  
Backset Springlatch



**DL-TA020**  
1 1/4" x 2 1/4"  
Full Lip Strike



**DL-DX161 FILLER COVER**

- 2 3/8" filler plate
- Finishes: USP, US26D



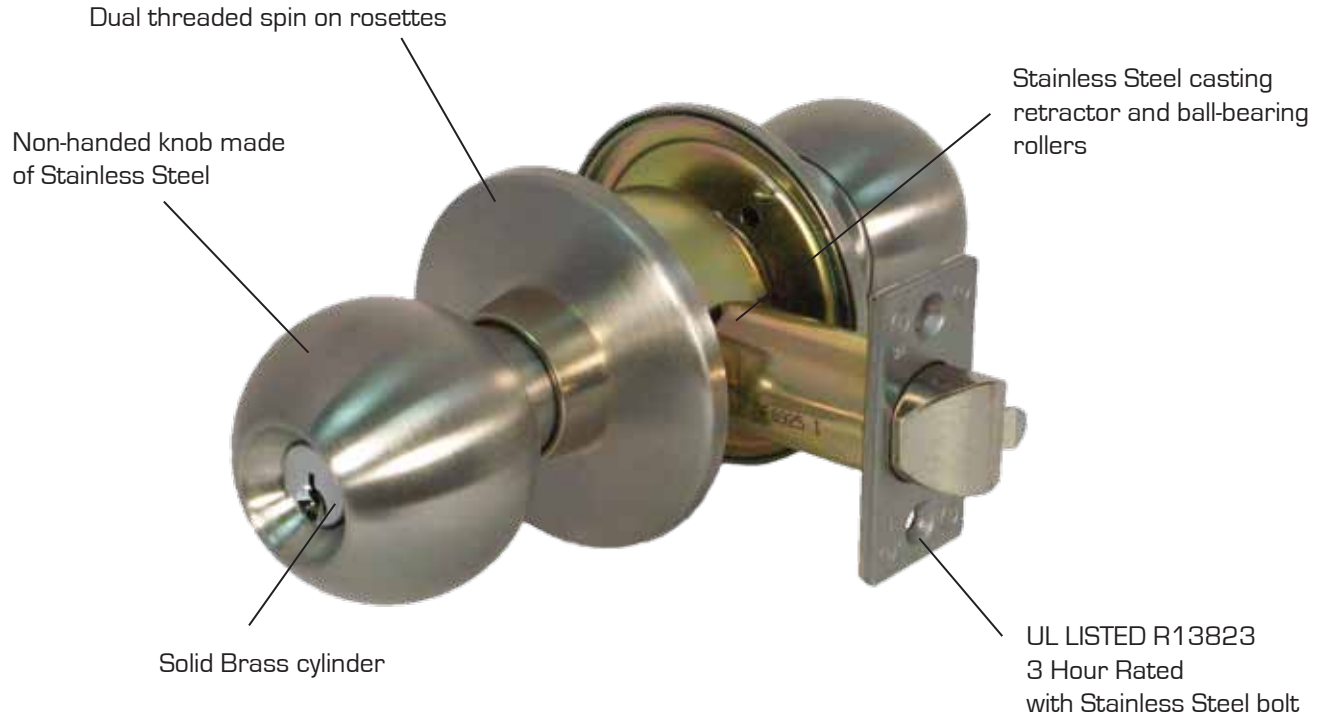
## KEYING OPTIONS

(additional charges may apply)

- 2 keys per cylinder
- KD: Keyed Different
- KA: Keyed Alike
- KA2: Keyed Alike; groups of 2
- KEYWAYS: SC6, AR5, KW1

## HEAVY DUTY COMMERCIAL CYLINDRICAL KNOB

The DL-HVB series cylindrical knobsets are designed for use on heavy duty Grade 1 commercial applications.



**IC CORE OPTION**  
(core not included)

### CODE COMPLIANCE



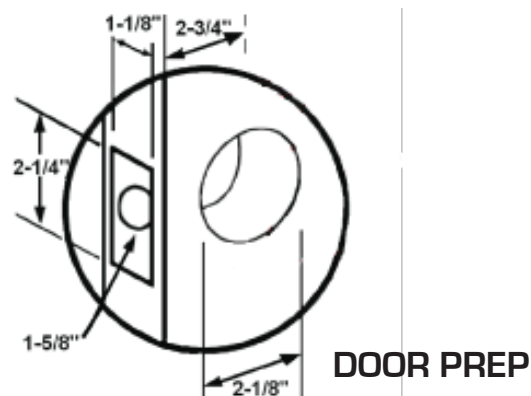
- UL Listed R13823 (mfg. 4000), ANSI A156.2 Grade1, UL10C and UBC 7.2 for positive pressure
- C-UBC California Uniform Builders Code -2001
- NFPA-80 National Fire Protection -1999
- NFPA-101 National Fire Protection - Life Safety-2000

## FEATURES

- Certification: ANSI A 156.2 Grade 1
- Door Thickness: 1 3/4" - 2"
- Backset UL Listed(R13823): 2 3/4" face, 1 1/8" x 2 1/4"
- Cylinder: Schlage "C" keyway
- Keying: Schlage 6 pin keyed
- Key: 2 six pin Nickel Plated
- Functions: See Below
- Latch: 5/8" projection Stainless Steel 3 hour
- Bore: 2 1/8" hole retrofits all cylindrical locksets
- Fits 161 Prep
- Strike: ANSI 1 1/4" x 4 7/8" strike
- Non-handed / reversible
- Warranty: Lifetime mechanical. 10 year finish.
- Finish: US32D

## OPTIONS

- IC - Small format Figure 8 Interchangeable Core NOT included
- DL-DLUL238 - 2 3/8" backset, Deadlatch
- DL-SLUL238 - 2 3/8" backset, Springlatch
- DL-TA013 - 1-1/8" x 2-3/4" "T" Strike



## CROSS REFERENCE

FUNCTION	TA	DORMA	HAGER	CAL-ROYAL	PDQ	SCHLAGE
PASSAGE	<b>DL-HVB10</b>	CL810	3410	GRB30	SX126	D10S
PRIVACY	<b>DL-HVB40</b>	CL840	3440	GRB20	SX176	D40S
ENTRANCE	<b>DL-HVB53</b>	CL853	3453	GRB00	SX116	D53PD
CLASSROOM	<b>DL-HVB70</b>	CL870	3470	GRB03	XS148	D70PD
STOREROOM	<b>DL-HVB80</b>	CL880	3480	GRB05	XS115	D80PD

## ACCESSORIES



**DL-DLUL238G1** 2 3/8"  
**DL-DLUL234G1** 2 3/4"  
Backset Deadlatch



**DL-TA013**  
1 1/4" x 2 3/4"  
"T" Strike



**DL-TA001**  
1 1/4" x 4 7/8"  
ASA Strike



**DL-SLUL238G1** 2 3/8"  
**DL-SLUL234G1** 2 3/4"  
Backset Springlatch



**DL-TA020**  
1 1/4" x 2 1/4"  
Full Lip Strike



**DL-DX161 FILLER COVER**

- 2 3/8" filler plate
- Finishes: USP, US26D



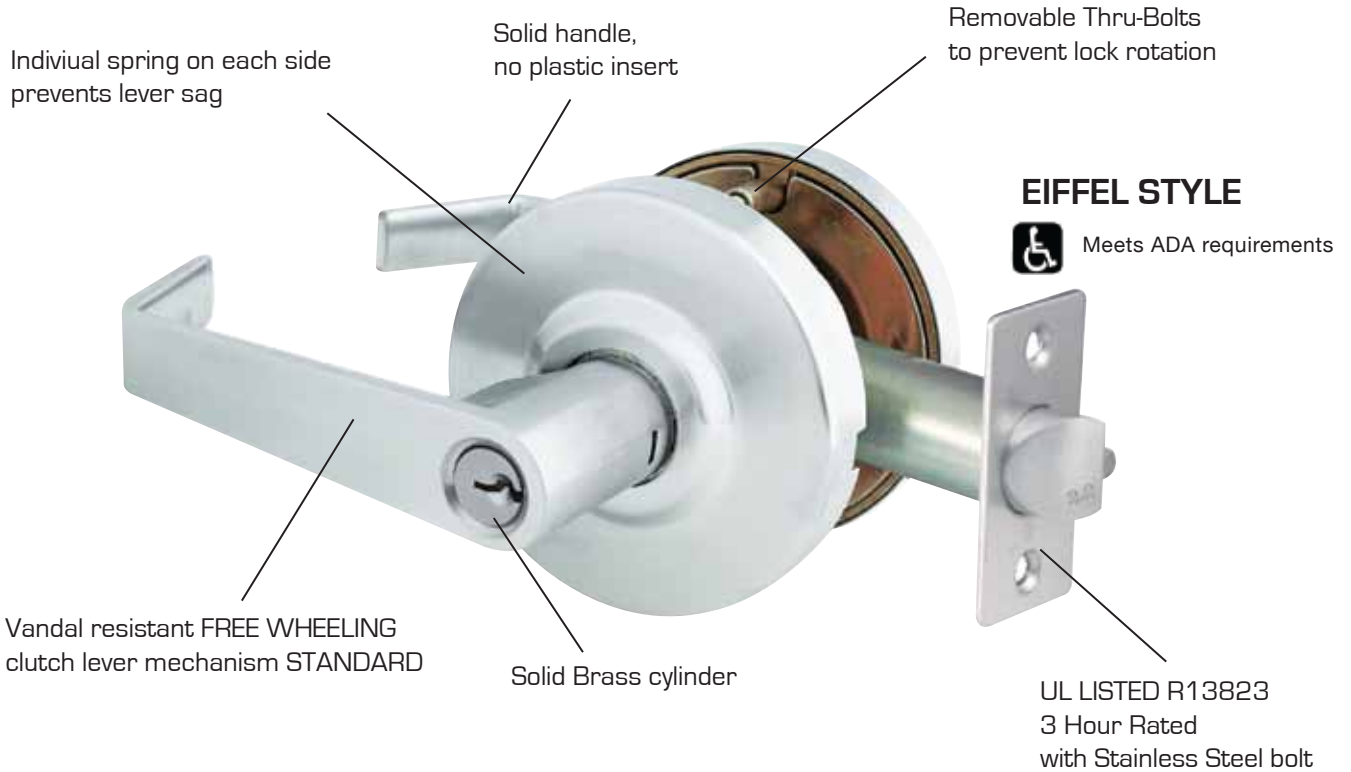
## KEYING OPTIONS

[additional charges may apply]

- 2 keys per cylinder
- KD: Keyed Different
- KA: Keyed Alike
- KA2: Keyed Alike; groups of 2
- KEYWAYS: SC6, AR5, KW1

## STANDARD DUTY COMMERCIAL CYLINDRICAL LEVER

The GAL Series cylindrical leversets are designed for use on heavy duty residential and standard to heavy duty Grade 2 commercial applications. The GAL commercial lever is ADA compliant and features a FREE WHEELING CLUTCH mechanism STANDARD that increases longevity and security.



**PISA STYLE**



**IC CORE OPTION**  
(only Eiffel Style)  
(core not included)

### CODE COMPLIANCE



- UL Listed R13823 (mfg. 4000), ANSI A156.2.Grade 2, UL10C and UBC 7.2 positive pressure
- ANSI A117.1 ADA Barrier-free Accessibility
- C-UBC California Uniform Builders Code-2001
- NFPA-80 National Fire Protection -1999
- NFPA-101 National Fire Protection - Life Safety-2000

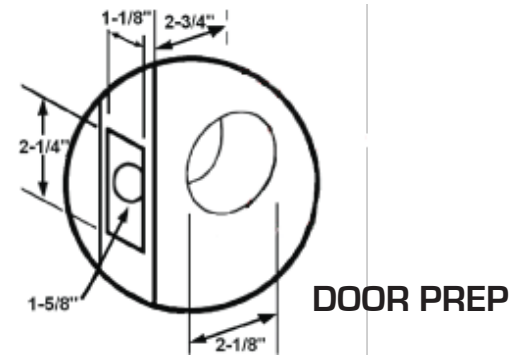


## FEATURES

- Certification: ANSI A156.2 Grade 2
- Door Thickness: 1 3/8" - 2"
- Backset: 2 3/4"
- Cylinder: Schlage "C" five pin keyway
- Keying: Schlage 5 pin keyed (6 pin capable)
- Key: 2 five pin Nickel Plated
- Functions: See below
- Latch: 5/8" projection Stainless Steel 3 hour  
Face: 1 1/8" x 2 1/4"
- Bore: 2 1/8" hole retrofits all cylindrical locksets
- Fits 161 Prep doors
- Strike: ANSI 1 1/4" x 4 7/8" strike
- Construction: Steel, Zinc Dichromated resists corrosion
- Heavy duty spring cage reinforced for lever return
- Removable Thru-Bolts
- Non-handed / reversible
- Warranty: Lifetime mechanical. 10 year finish.
- Finish: US26D

## OPTIONS

- IC - Small format Figure 8 Interchangeable Core NOT included
- 2 3/8" backset, Deadlatch
- 2 3/8" backset, Springlatch
- GLA001 - 1 1/8" x 2 3/4" "T" Strike



## CROSS REFERENCE

FUNCTION		ARROW	SARGENT	CAL-ROYAL	PDQ	SCHLAGE
PASSAGE	<b>GAL-1110</b>	ML01	65U15	CSL-30	GP126	AL10S
PRIVACY	<b>GAL-1140</b>	ML02	65U65	CSL-20	GP176	AL40S
ENTRANCE	<b>GAL-1151</b>	ML11	65G05	CSL-00	GP116	AL53PD
CLASSROOM	<b>GAL-1170</b>	ML17	65G37	CSL-03	GP148	AL70PD
STOREROOM	<b>GAL-1180</b>	ML12	65G04	CSL-04	GP115	AL80PD
ENTRY IC	<b>GAL-1151L-IC</b>	ML11IC	70-65G05	ICCSL-00	GP116-IC	AL53BD

## ACCESSORIES



- GTA085-SUL1-626** 1 1/8" SQ UL DL 2 3/8", US26D  
**GTA085-SUL2-626** 1" SQ UL DL 2 3/8", US26D  
**GTA096-SUL1-626** 1 1/8" SQ UL DL 2 3/4", US26D



- GTA068-SUL1-626** 1 1/8" SQ UL SL 2 3/8", US26D  
**GTA068-SUL2-626** 1" SQ UL SL 2 3/8", US26D  
**GLA116-SUL2-626** 1 1/8" SQ UL SL 2 3/4", US26D



- GLA026-626 Square Corner**  
 1 1/4" x 2 1/4"  
 Full Lip Strike



- GLA001-626**  
 1 1/4" x 2 3/4"  
 "T" Strike



- GLA025-626**  
 1 1/4" x 4 7/8"  
 ASA Strike



## KEYING OPTIONS

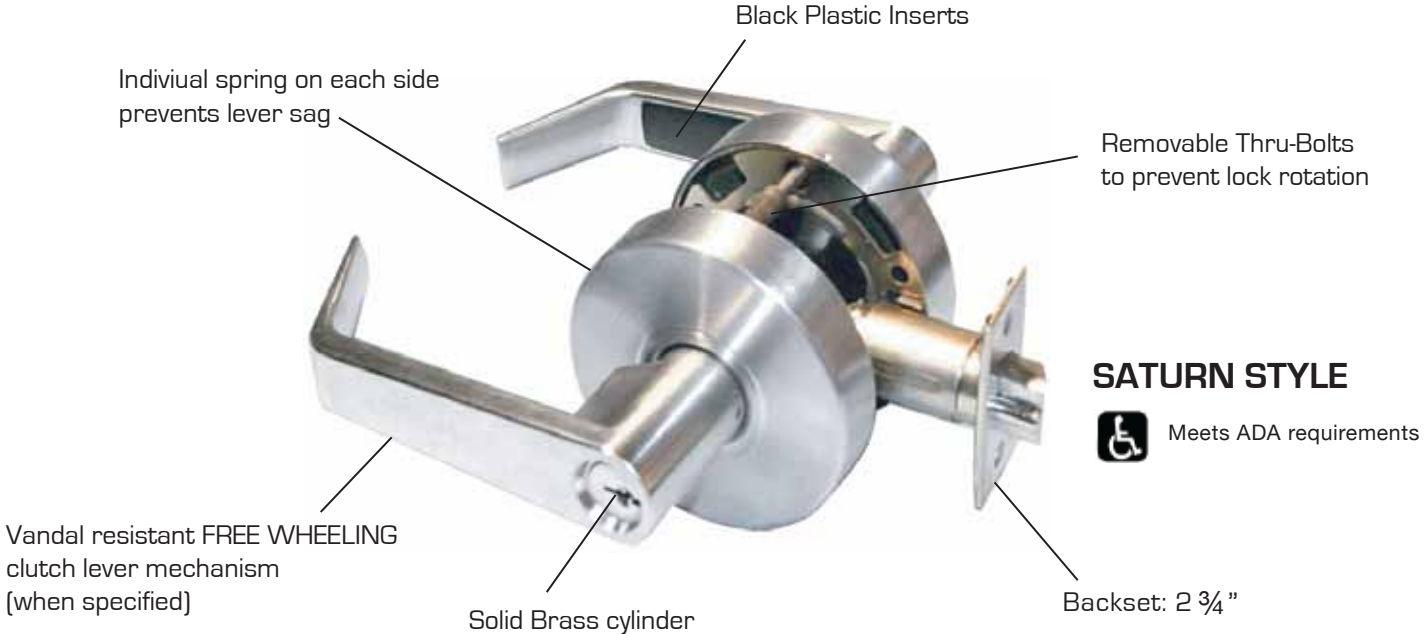
- 2 keys per cylinder
- KD: Keyed different
- KA: Keyed alike
- KA2: Keyed alike; groups of 2
- KEYWAYS: SC5

# DL-LSV SERIES

# GRADE 2

## STANDARD DUTY COMMERCIAL CYLINDRICAL LEVER

The DL-LSV Series cylindrical leversets are designed for use on standard Grade 2 commercial applications. The LSV Saturn Style series is ADA compliant.



### SATURN STYLE

Meets ADA requirements



**LSV / DB751 COMBO**  
US26D finish



**SPARTA STYLE**

### CODE COMPLIANCE



- ANSI A156.2 Grade 2, UL10C and UBC 7.2 for positive pressure
- ANSI A117.1 ADA Barrier-free Accessibility
- C-UBC California Uniform Builders Code -2001
- NFPA-80 National Fire Protection -1999
- NFPA-101 National Fire Protection - Life Safety-2000



**IC CORE OPTION**  
(only Saturn Style)  
(core not included)

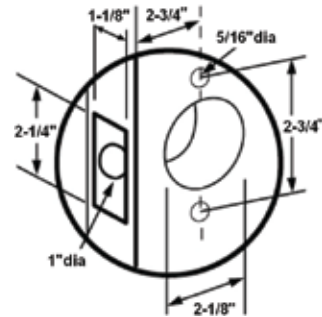


## FEATURES

- Certification: ANSI A 156.2 Grade 2
- Door Thickness: 1 3/4" - 2"
- Backset: 2 3/4"
- Cylinder: Schlage "C" keyway
- Keying: Schlage 6 pin keyed
- Key: 2 six pin Nickel Plated
- Functions: See below
- Latch: 1/2" projection Stainless Steel  
Face: 1 1/8" x 2 1/4" (Opt. 3 hr. UL R13823(mfg. 4000))
- Bore: 2 1/8" hole retrofits all cylindrical locksets
- Fits 161 Prep doors
- Strike: ANSI 1 1/4" x 4 7/8" strike
- Removable Thru-Bolts
- Non-handed / reversible
- Warranty: Lifetime mechanical. 10 year finish.
- Finishes: US3, US10B, US26D

## OPTIONS

- CL - Clutch function - Lever rotates without unlatching lock (only Saturn Style)
- IC - Small format Figure 8 Interchangeable Core NOT included
- DL-DLUL238 - 2 3/8" backset, UL Deadlatch
- DL-SLUL238 - 2 3/8" backset, UL Springlatch
- DL-TA013 - 1 1/8" x 2 3/4" "T" Strike
- DL-EXBS5: Extension for 5" backset
- DL-LSV53DB751 - Combo, Single Cylinder
- DL-LSV53DB760 - Combo, Double Cylinder



DOOR PREP

## CROSS REFERENCE

FUNCTION	TA	DORMA	HAGER	CAL-ROYAL	PDQ	SCHLAGE
PASSAGE	<b>DL-LSV10</b>	CL710	3510	CSL-30	SP126	AL10S
PRIVACY	<b>DL-LSV40</b>	CL740	3540	CSL-20	SP176	AL40S
ENTRANCE	<b>DL-LSV53</b>	CL753	3553	CSL-00	SP116	AL53PD
CLASSROOM	<b>DL-LSV70</b>	CL770	3570	CSL-03	SP148	AL70PD
STOREROOM	<b>DL-LSV80</b>	CL780	3580	CSL-04	SP115	AL80PD
DUMMY	<b>DL-LSVDT</b>	CL701	3517	CSL-40	SP211	AL170

## ACCESSORIES



**DL-DLUL238** 2 3/8"  
**DL-DLUL234** 2 3/4"  
Backset Deadlatch



**DL-TA013**  
1 1/4" x 2 3/4"  
"T" Strike



**DL-TA001**  
1 1/4" x 4 7/8"  
ASA Strike



**DL-SLUL238** 2 3/8"  
**DL-SLUL234** 2 3/4"  
Backset Springlatch



**DL-TA020**  
1 1/4" x 2 1/4"  
Full Lip Strike



**DL-DX161 FILLER COVER**  
• 2 3/8" filler plate  
• Finishes: USP, US26D



**DL-EXB5 5" BACKSET  
EXTENSION**

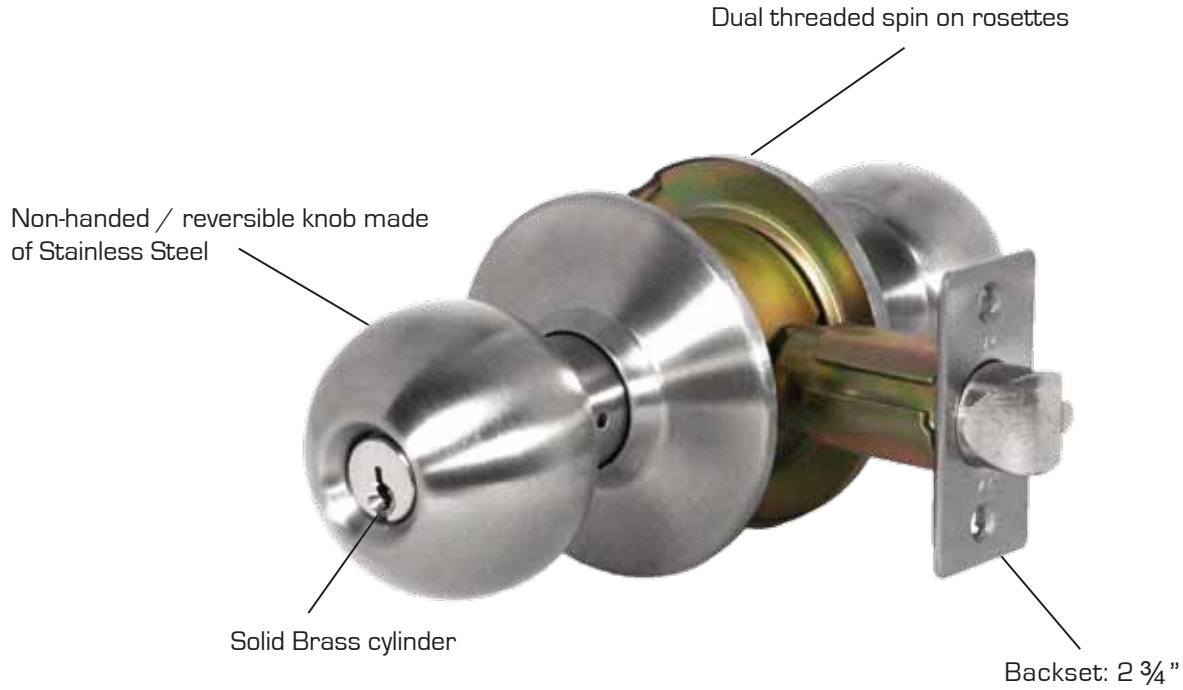
## KEYING OPTIONS

(additional charges may apply)

- 2 keys per cylinder
- KD: Keyed Different
- KA: Keyed Alike
- KA2: Keyed Alike; groups of 2
- KEYWAYS: SC6, AR5, KW1

## STANDARD DUTY COMMERCIAL CYLINDRICAL KNOB

The DL-SVB Series cylindrical knobsets are designed for use on standard Grade 2 commercial applications.



### CODE COMPLIANCE



- ANSI A156.2 Grade 2, UL10C and UBC 7.2 for positive pressure
- C-UBC California Uniform Builders Code-2001
- NFPA-80 National Fire Protection -1999
- NFPA-101 National Fire Protection - Life Safety-2000

**SVB / DB251 COMBO**  
US32D finish

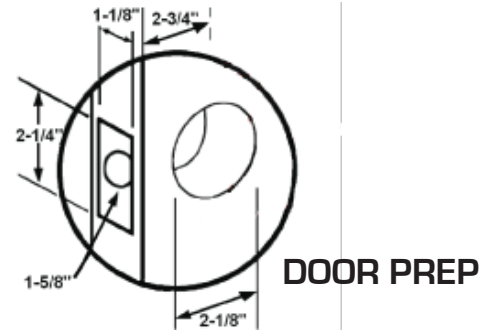
**IC CORE OPTION**  
(core not included)

## FEATURES

- Certification: ANSI A156.2 Grade 2
- Door Thickness: 1 3/4" - 2"
- Backset: 2 3/4"
- Cylinder: Schlage "C" keyway
- Keying: Schlage 6 pin keyed
- Key: 2 six pin Nickel Plated
- Functions: See below
- Latch: 1/2" projection Stainless Steel  
Face: 1 1/8" x 2 1/4" (Opt. 3 hr. UL R13823 (mfg. 4000))
- Bore: 2 1/8" hole retrofits all cylindrical locksets
- Fits 161 Prep doors
- Strike: ANSI 1 1/4" x 4 7/8" strike
- Non-handed / reversible
- Warranty: Lifetime mechanical. 10 year finish.
- Finishes: US3, US32D

## OPTIONS

- IC - Small format Figure 8 Interchangeable Core NOT included
- DL-DLUL238 - 2 3/8" backset, UL Deadlatch
- DL-SLUL238 - 2 3/8" backset, UL Springlatch
- DL-TA013 - 1 1/8" x 2 3/4" "T" Strike
- DL-EXBS5: Extension for 5" backset
- DL-SVB53DB251 - Combo, Single Cylinder
- DL-SVB53DB260 - Combo, Double Cylinder



## CROSS REFERENCE

FUNCTION	TA	PARKER	CAL-ROYAL	PDQ	SCHLAGE
PASSAGE	<b>DL-SVB10</b>	B9160 N	BA30	SV126	A10S
PRIVACY	<b>DL-SVB40</b>	B9160 P	BA20	SV176	A40S
ENTRANCE	<b>DL-SVB53</b>	B9160 A	BA00	SV116	A53PD
CLASSROOM	<b>DL-SVB70</b>	B9160 R	BA03	SV148	A70PD
STOREROOM	<b>DL-SVB80</b>	B9160 D	BA05	SV115	A80PD
DUMMY	<b>DL-SVB DT</b>	B9160 Y	BA40	SV211	A170

## ACCESSORIES



## KEYING OPTIONS

(additional charges may apply)

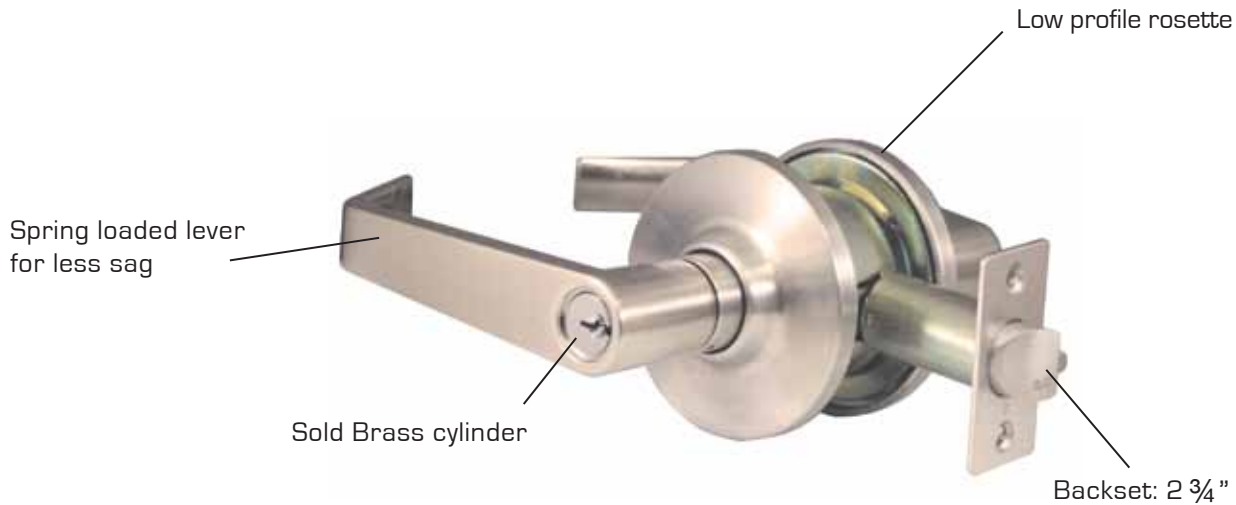
- 2 keys per cylinder
- KD: Keyed Different
- KA: Keyed Alike
- KA2: Keyed Alike; groups of 2
- KEYWAYS: SC6, AR5, KW1



**DL-EXB5 5" BACKSET  
EXTENSION**

## LIGHT DUTY COMMERCIAL CYLINDRICAL LEVER

The GLC Series cylindrical locksets are designed for use on all light duty Grade 3 commercial and residential applications. The GLC commercial lever is ADA compliant.



**GLC LEVER**



Meets ADA requirements



**GLC KNOB**

## CODE COMPLIANCE



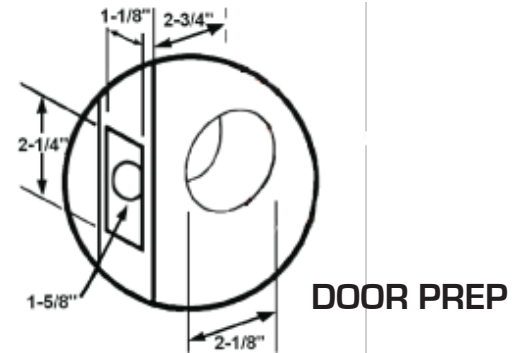
- ANSI A117.1 ADA Barrier-free Accessibility (GAL LEVER)
- C-UBC California Uniform Builders Code-2001

## FEATURES

- Door thickness: 1 3/8" - 1 7/8" range
- Backset: 2 3/4"
- Cylinder: Schlage Solid Brass "C" keyway
- Keying: Schlage 5 pin keyed
- Key: 2 five pin Nickel Plated
- Functions: See below
- Construction: Steel, Zinc Dichromated resists corrosion
- Heavy duty spring cage reinforced for lever return
- Latch: 1/2" projection Stainless Steel
- Bore: 2 1/8" hole retrofits grade 3 cylindrical locksets
- Fits 161 Prep doors
- Strike: ANSI 1 1/4" x 4 7/8" strike
- Warranty: Lifetime mechanical - 10 year finish
- Finishes: Lever US26D, Knob US32D

## OPTIONS

- 2 3/8" backset, Deadlatch
- 2 3/8" backset, Springlatch
- GLA001 - 1 1/8" x 2 3/4" "T" Strike
- DL-EXBS5: Extension for 5" backset



## ACCESSORIES



**GLC085-S2-626** 1" SQ DL 2 3/8", US26D  
**GLC096-S1-626** 1 1/8" SQ DL 2 3/4", US26D



**GLC068-S2-626** 1" SQ SL 2 3/8", US26D  
**GLC116-S1-626** 1 1/8" SQ SL 2 3/4", US26D



**GLA026 Square Corner**  
 1 1/4" x 2 1/4"  
 Full Lip Strike



**GLA001**  
 1 1/4" x 2 3/4"  
 "T" Strike



**DL-DX161 FILLER COVER**  
 • 2 3/8" filler plate  
 • Finishes: USP, US26D



**GLA025-626**  
 1 1/4" x 4 7/8"  
 ASA Strike



**DL-EXB5 5" BACKSET  
 EXTENSION**

## KEYING OPTIONS

(additional charges may apply)

- 2 keys per cylinder
- KD: Keyed Different
- KA: Keyed Alike
- KA2: Keyed alike; groups of 2
- KEYWAYS: SC5



FUNCTION	GLOBAL DOOR CONTROLS
PASSAGE	<b>GLC-5110</b>
PRIVACY	<b>GLC-5140</b>
ENTRANCE	<b>GLC-5151</b>
STOREROOM	<b>GLC-5180</b>

## COMMERCIAL CYLINDRICAL DEADBOLT

The GLC560 and GLC562 auxiliary deadbolts add style and security to any door. They can be keyed to match any GLC or GAL lockset.



### FEATURES

- Certification: UL R26058(mfg. 9082ET)Grade 2 ANSI A156.5
- Door Thickness: 1 3/4" - 2"
- Adjustable Backset: 2 3/4" - 2 3/8"
- Bolt: Heavy duty 1" throw Steel reinforced non adjustable
- Face Plate: 1 1/8" x 2 1/4" for 2 3/4" bolt
- Rating: UL Rated R26058(mfg. 9082ET) for "A" label 3 hour door
- Strike: 1 1/8" x 2 3/4" with reinforcing and security screws
- Cylinder: Solid Brass 6 pin keyed to 5
- Keyway: Schlage "C" or IC less interchangeable core
- Function: Single and double cylinder
- Keying: KA4 - Standard
- Trim Ring: Solid security collar reinforced
- Warranty: Lifetime mechanical - 10 year finish
- Finish: US26D

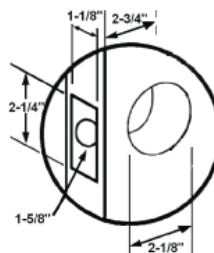
### KEYING OPTIONS

- 2 keys per cylinder
- KD: Keyed Different
- KA: Keyed Alike
- KA2: Keyed alike; groups of 2
- KEYWAYS: SC6



### OPTIONS

- GLC560UL-IC: interchangeable core single cylinder
- GLC562UL-IC: interchangeable core double cylinder



**DOOR PREP**



## LIGHT DUTY CYLINDRICAL KNOB

The ECB Series cylindrical knobsets are designed for use on light duty Grade 3 residential applications.



### FEATURES

- Certification: ANSI A156.5
- Door Thickness: 1 3/4" - 1 7/8"
- Adjustable Backset: 2 3/4" - 2 3/8" face 1" x 2 1/4"
- Shim Filler for 1" latch to 1 1/8" prep
- Cylinder: Schlage "C" keyway
- Keying: Schlage 5 pin keyed
- Key: 2 five pin Nickel Plated
- Functions: See below
- Bore: 2 1/8" hole retrofits all cylindrical locksets
- Fits 161 Prep doors
- Comes with standard "T" Strike
- Non-handed / reversible
- Warranty: 1 year
- Finishes: US3, US32D

FUNCTION	
PASSAGE	<b>DL-ECB10</b>
PRIVACY	<b>DL-ECB40</b>
ENTRANCE	<b>DL-ECB53</b>
CLASSROOM	<b>DL-ECB70</b>
STOREROOM	<b>DL-ECB80</b>
DUMMY	<b>DL-ECBDT</b>

### OPTIONS

- DL-TA001 - 1 1/4" x 4 7/8" ANSI Strike
- DL-EXBS5: Extension for 5" backset

### KEYING OPTIONS

(additional charges may apply)

- 2 keys per cylinder
- KD: Keyed Different
- KA: Keyed Alike
- KA2: Keyed Alike; groups of 2
- KEYWAYS: SC5, SC6, AR5, KW1

### ACCESSORIES



**DL-TA001**  
1 1/4" x 4 7/8"  
ASA Strike



**DL-TA013**  
1 1/4" x 2 3/4"  
"T" Strike



**DL-TA020**  
1 1/4" x 2 1/4"  
Full Lip Strike



**DL-DX161 FILLER COVER**

- 2 3/8" filler plate
- Finishes: USP, US26D



**DL-EXB5 5" BACKSET EXTENSION**

## COMMERCIAL CYLINDRICAL DEADBOLT

The DB700 Series deadbolts are designed for use on all light to heavy duty commercial applications and add style and security to any door. They can be keyed to match any LHV or LSV lockset.



## FEATURES

- Certification: UL Listed R20642(mfg. HL-250) ANSI A156.5
- Door Thickness: 1 3/4" - 2"
- Adjustable backset: 2 3/4" - 2 3/8"
- Full 1" throw deadbolts
- Cylinder: Schlage "C" keyway
- Keying: Schlage 6 pin keyed
- Key: 2 six pin Nickel Plated
- Strike: 1 1/8" x 2 3/4" strike
- Non-handed / reversible
- DL-DB751: Single cylinder
- DL-DB760: Double cylinder
- Finish matches LHV and LSV Series
- Warranty: 1 year
- Finishes: US3, US26D

## KEYING OPTIONS

[additional charges may apply]

- 2 keys per deadbolt
- KD: Keyed Different
- KA: Keyed Alike
- KA2: Keyed Alike; groups of 2
- KEYWAYS: SC6

## ACCESSORIES



**DL-TA018**  
1 1/4" x 4 7/8"  
ASA Deadbolt Strike

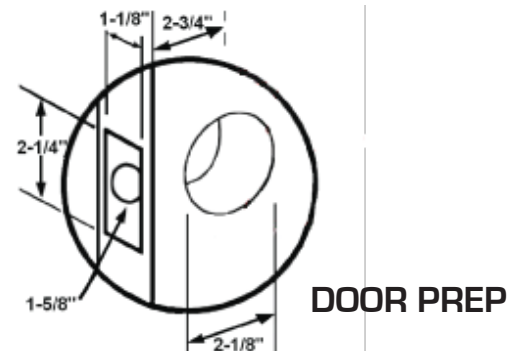


**DL-TA019**  
1 1/8" x 1 1/4"  
Deadbolt strike



**DL-DX161 FILLER COVER**

- 2 3/8" filler plate
- Finish: USP, US26D





## RESIDENTIAL TUBULAR DEADBOLT

The DB200 Series deadbolts are designed for use on residential applications and add style and security to any door. They can be keyed to match any HVB, SVB or ECB lockset.



## FEATURES

- Door Thickness: 1 3/4" - 1 7/8"
- Adjustable Backset: 2 3/4" - 2 3/8"
- Bore: 1 1/8" residential
- Full 1" throw deadbolts
- Cylinder: Schlage "C" keyway
- Keying: Schlage 6 pin keyed
- Key: 2 six pin Nickel Plated
- Strike: 1 1/8" x 2 3/4" strike
- Non-handed / reversible
- DL-DB251: Single cylinder
- DL-DB260: Double cylinder
- Finish matches HVB, SVB and ECB Series
- Warranty: 1 year
- Finishes: US3, US32D

## KEYING OPTIONS

(additional charges may apply)

- 2 keys per deadbolt
- KD: Keyed Different
- KA: Keyed Alike
- KA2: Keyed Alike; groups of 2
- KEYWAYS: SC6



## ACCESSORIES



**DL-TA018**  
1 1/4" x 4 7/8"  
ASA Deadbolt Strike



**DL-TA019**  
1 1/8" x 1 1/4"  
Deadbolt strike



**DL-DX161 FILLER COVER**

- 2 3/8" filler plate
- Finish: USP, US26D

## STERLING KNOBS



Tulip



Ball

The Sterling GLS Series knobsets are a tubular Steel construction design that exceeds ANSI and BHMA standards. The Solid Brass cylinder is easy to remove for fast re-keying. In addition, Sterling locksets retrofit most residential applications.

## FEATURES

- Certification: Meets ANSI A156.2 Grade 3
- Door thickness: 1 $\frac{3}{8}$ " - 1 $\frac{7}{8}$ " range
- Adjustable Backset: 2 $\frac{3}{4}$ " - 2 $\frac{3}{8}$ "
- Cylinder: Kwikset Solid Brass 5 pin construction keyed
- Keying: KA6 standard, 2 keys provided
- Functions: See Chart (next page)
- Strike: 1 $\frac{1}{8}$ " x 2 $\frac{3}{4}$ " Full lip radius
- Latch: Deadlocking or spring 1" x 2 $\frac{1}{4}$ " radius
- Warranty: 5 years
- Finishes: US3, US26D

## STERLING LEVER



Franklin

The Sterling GLS Series leversets have the same specifications as the Sterling knobsets with the added trim selection of a lever.

## FEATURES

- Certification: Meets ANSI A156.2 Grade 3
- Door thickness: 1 $\frac{3}{8}$ " - 1 $\frac{7}{8}$ " range
- Adjustable Backset: 2 $\frac{3}{4}$ " - 2 $\frac{3}{8}$ "
- Cylinder: Kwikset Solid Brass 5 pin construction keyed
- Keying: KA6 standard, 2 keys provided
- Functions: See Chart (next page)
- Strike: 1 $\frac{1}{8}$ " x 2 $\frac{3}{4}$ " Full lip radius
- Latch: Deadlocking or spring 1" x 2 $\frac{1}{4}$ " radius
- Warranty: 5 years
- Finishes: US3, US26D

## STERLING DEADBOLTS



The Sterling GLS Series auxiliary deadbolts add style and security to any door. They can be keyed to match any Sterling Series knob or lever and are available in matching finishes.

## FEATURES

- Certification: Meets ANSI A156.2 Grade 3
- Door thickness: 1 3/8" - 1 7/8" range
- Adjustable Backset: 2 3/4" - 2 3/8"
- Cylinder: Kwikset Solid Brass 5 pin
- Keying: KA6 standard, 2 keys provided
- Functions: Single and double cylinder, and one-sided deadbolt
- Strike: 1 1/8" x 2 3/4" Full lip radius
- Bolt: 1" throw Steel reinforced radius
- Warranty: 5 years
- Finishes: US3, US26D

## FUNCTIONS

FUNCTION	
PASSAGE	<b>10S</b>
PRIVACY	<b>40S</b>
ENTRANCE	<b>53PD</b>
DUMMY	<b>170</b>

## ACCESSORIES

### LATCHES

GLS Series Sterling locksets are supplied with radius corner 2 way adjustable backset latches.



**GLS11-** Deadlatch Square Corner  
**GLS45-** Deadlatch Radius Corner



**GLA026-** Full-lip strike square corner



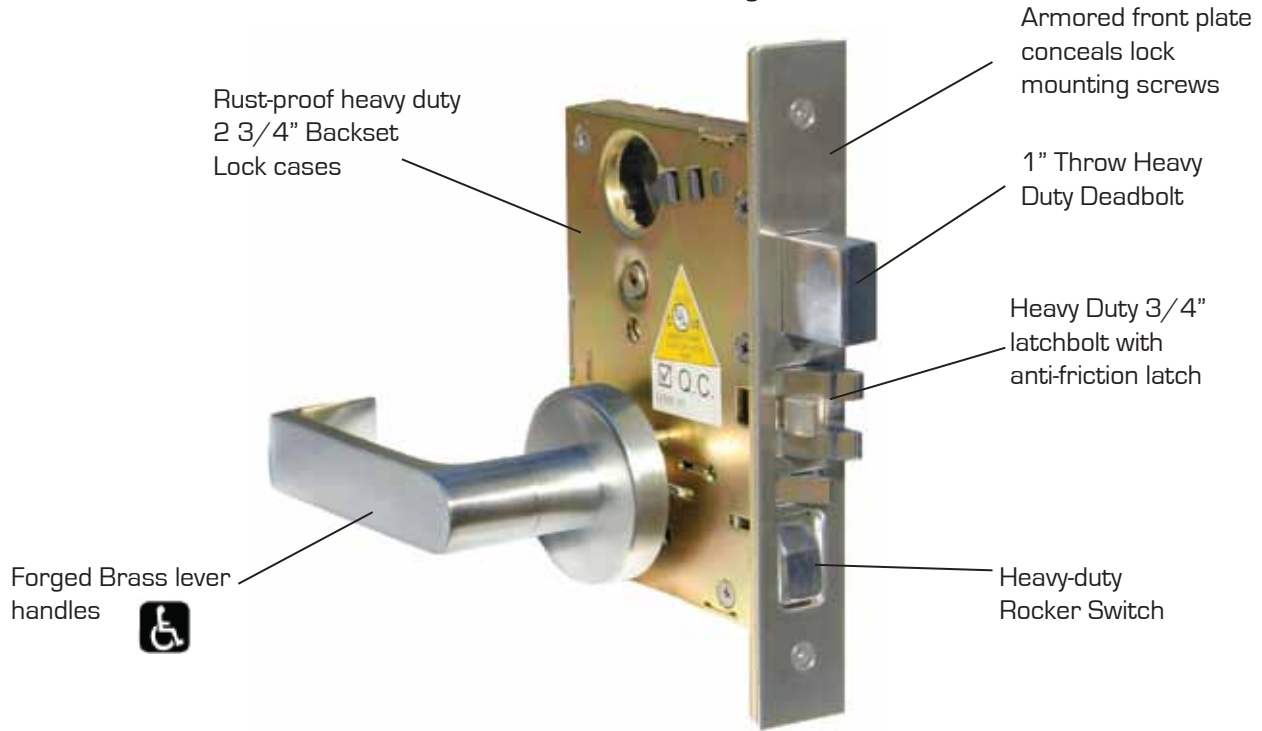
**GLA001-** "T" Strike

### STRIKES

All Sterling locksets are supplied with Full-Lip radius corner strikes. Square corner and "T" Strikes are available upon request

## HEAVY DUTY COMMERCIAL MORTISE LOCK

The DXML mortise lockset is designed for heavy duty commercial and industrial applications. This series meets ADA handicap compliance and meets a 3 hour fire rating.



**DL-SS**  
Sectional



**DL-SE**  
Escutcheon

### CODE COMPLIANCE



- ANSI A156.2 Grade1, UL R15846(mfg. 810) UL10C and UBC 7.2 for positive pressure
- ANSI A117.1 ADA Barrier-free Accessibility
- C-UBC California Uniform Builders Code-2001
- NFPA-80 National Fire Protection -1999
- NFPA-101 National Fire Protection - Life Safety-2000

## FEATURES

- Door Thickness: 1 3/4"
- Backset: 2 3/4"
- Faceplate: 1 1/4" x 8" - Rosette: 2 1/2"
- UL R15846(mfg. 810) 3 hour fire rated latch
- 1" throw bolt
- 1 1/8" Mortise Cylinder
- SC6 Schlage "C" 6 pin keyway
- Sectional (SS) and Escutcheon (SE) trim available
- Levers are ADA compliant
- Handed (must specify LH or RH). Field reversible
- Functions: See below
- Warranty: 3 years
- Finish: US26D

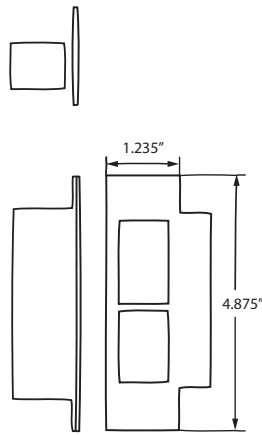
## TRIM SPECIFICATIONS

- Heavy duty commercial; Grade 1
- DL-SS: Sectional leverset with rosette, Solid Brass
- DL-SE: Escutcheon handleset, rectangular plate, Solid Brass

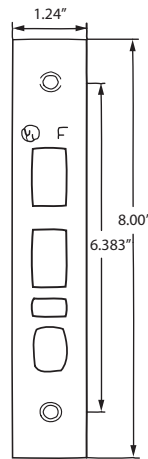


MEETS ADA REQUIREMENTS

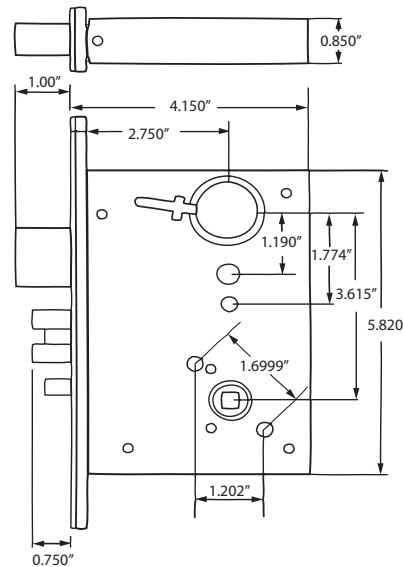
## DIMENSIONS



STRIKE  
(Non-Handed)



FACE PLATE



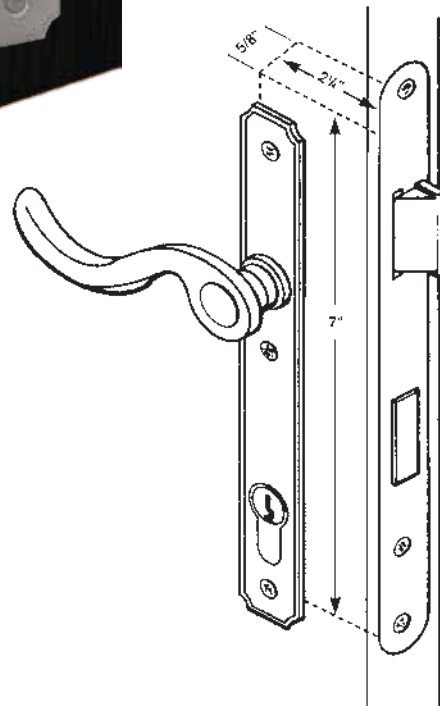
CASE

## CROSS REFERENCE

FUNCTION	ANSI NO		ARROW B Series	CORBIN/RUSSWIN ML2200	SARGENT 7700/8100	SCHLAGE L Series	PDQ Series 1000	YALE
Passage	F01	DXML10	B01	ML2210	13	L9010	126	8701
Privacy	F22	DXML40	B02	ML2220	65	L9040	176	8702
Entrance	F12	DXML53	B11	ML2267	45	L9453	156	8747
Classroom	F05	DXML70	B17	ML2255	37	L9070	148	8708
Storeroom	F07	DXML80	B12	ML2257	4	L9080	115	8705

## HEAVY DUTY SOLID BRASS MORTISE LOCK

The ML800 Mortise lock adds style and security for mortise applications and "Atrium" style doors.



## FEATURES

- Solid Brass Mortise lockset
- Field reversible latchbolt and levers
- Solid Brass escutcheons
- Door Thickness: 1 3/8" - 1 7/8"
- Backset: 1 3/4" narrow stile
- Faceplate: 1 3/16" x 1 7/8" Solid Brass
- Cylinder: Schlage "C" keyway
- Function: Entry with thumbturn for unlocking and locking.
- Strike: Standard ASA strike
- Finishes: US3, US15, US26

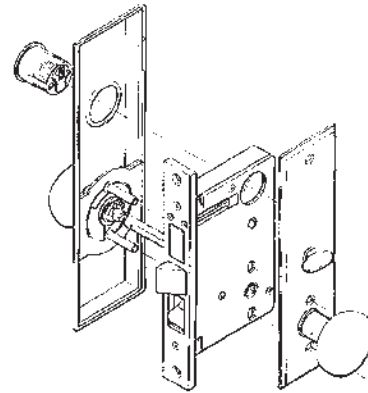
# ML900 SERIES

## MORTISE LOCK WITH KNOB ESCUTCHEON

The ML914 and ML920 Mortise locks add security and style to any mortise prepped door. The ML914 features a floating spindle and the ML920 features a threaded spindle.



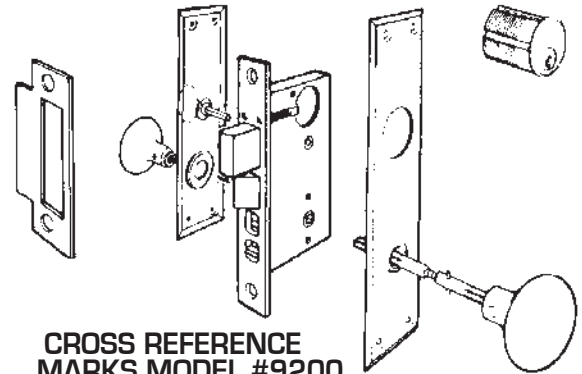
**Model ML914**



**CROSS  
REFERENCE  
MARKS MODEL  
#9140**

Solid Brass regular knobs - 2 1/4" diameter with floating spindle and thru-bolted escutcheons

**Model ML920**



**CROSS REFERENCE  
MARKS MODEL #9200**

Solid Brass regular knobs - 2 1/4" diameter with threaded spindle

## FEATURES

- Solid Brass Mortise lockset with reversible latchbolt
- DL-ML914: Spindle fixed to escutcheons
- DL-ML920: Loose threaded spindle
- Full 1" throw Chrome Plated heavy duty deadbolt
- Solid Brass knobs and escutcheon plates
- Door Thickness: 1 3/4" standard
- Backset: 2 1/2"
- Exterior plate: 2 3/4" x 10" Solid Brass
- Face Plate: 1 1/16" x 7 5/8"
- Cylinder: Schlage "C" keyway
- Keying: 5 Pin tumbler
- Strike: Standard ASA strike
- Finish: US3



# CYLINDERS

## MORTISE CYLINDERS



Mortise Cylinder



Thumbturn Cylinder



Dummy Cylinder

Part	Description	Keyways	Keyed	Finishes	Packed
DL-CYLTA550	1" Solid Brass Mortise Cylinder	Schlage	KD, KA, KA2	US3 US26D	50/case
DL-CYLTA555	1" Solid Zinc Mortise Cylinder	Schlage	KD, KA, KA2	US3 US26D	50/case
DL-CYLTA560	1½" Solid Brass Mortise Cylinder	Schlage	KD, KA, KA2	US3 US26D	50/case
DL-CYLTA580	1¼" Solid Brass Mortise Cylinder	Schlage	KD, KA, KA2	US3 US26D	50/case
DL-CYL570	1" Solid Brass Mortise Thumbturn Cylinder			US3 US26D	50/case
DL-CYLTA577	1" Solid Zinc Mortise Thumbturn Cylinder			US3 US26D	50/case
DL-CYLTA595	1" Solid Brass Mortise Dummy Cylinder			US3 US26D	50/case

## KEYING OPTIONS

- 2 keys per cylinder
- KD: Keyed Different
- KA: Keyed Alike
- KA2: Keyed Alike; groups of 2

## CAM OPTIONS



D Cam E Cam

**DL-CYLD CAM** D Cam

**DL-CYLECAM** E Cam

## UNIVERSAL CYLINDERS

FOR TRANS ATLANTIC LOCKSETS

- **DL-LC50** : Fits LHV, HVB, LSV, SVB locks
- **DL-LC53** : Fits ECB locks
- **DL-DC50** : Fits DB751, DB251



- 2 keys per cylinder
- 1 short, 1 long tailpiece

## UNIVERSAL CYLINDERS

FOR GLC & GAL LOCKSETS



Universal Cyl. - Satin Chrome

- GLA3GAKD** Knob/Lever Cyl. 6 Pin Sargent GA Keyed Diff.
- GLA3SC1KD** Knob/Lever Cyl. 6 Pin Schlage C[SC1] Keyed Diff.
- GLA3Y1KD** Knob/Lever Cyl. 6 Pin Yale 8[Y1] Keyed Diff.



Universal Cyl. - Satin Chrome

- GLA6GAKD** Knob/Lever Cyl. 6 Pin Sargent GA Keyed Diff.
- GLA6SC1KD** Knob/Lever Cyl. 6 Pin Schlage C[SC1] Keyed Diff.

## MORTISE CYLINDER GUARD RINGS

- For use with mortise cylinders
- Finishes: AL, DU, US3, US26D



**DL-HSTMCR**  
Anti-wrench  
cylinder guard



**DL-NFSB**  
Cylinder Space Ring  
1⅜" x ¼"



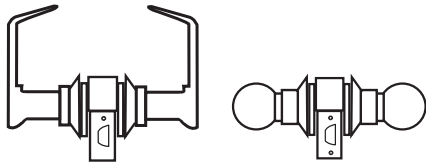
**DL-FSB**  
1¾" Standard  
Cylinder Ring



**DL-SBNRCR**  
Non-recessed  
⅜" solid extruded



# FUNCTIONS

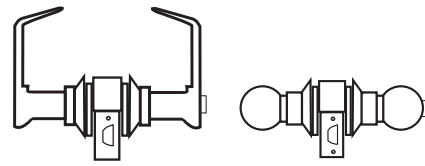


## 10 PASSAGE F75

Lockset for interior door applications. Both levers / knobs are free.

LHV, LSV,  
HVB, SVB, ECB

GAL, GLC

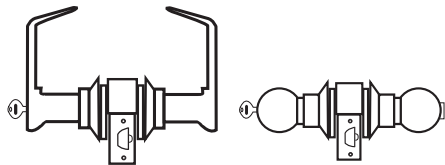


## 40 PRIVACY F76

Lockset for interior applications. Push button locking from interior. Lock can be opened by rotating interior lever or knob. Safety unlocks for emergencies.

LHV, LSV,  
HVB, SVB, ECB

GAL, GLC

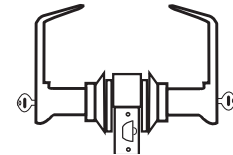


## 53 ENTRY F109

Lockset for interior / exterior applications. Pushing button creates privacy function, turning thumbpiece creates storeroom function. Opens with key.

LHV, LSV,  
HVB, SVB, ECB

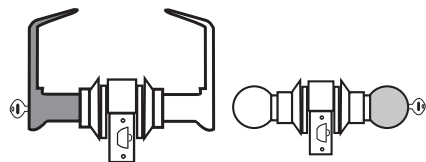
GAL, GLC



## 60 DOUBLE CYLINDER

Key in lever locks or unlocks from both sides. Sides are independent of each other.

LSV

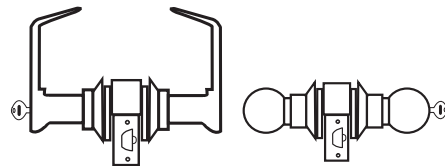


## 80 STOREROOM F86

Outside lever is always locked. Key must be used to open. Used for secured areas.

LHV, LSV,  
HVB, SVB, ECB

GAL, GLC

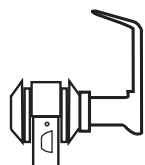


## 70 CLASSROOM F84

Exterior lever locked or unlocked by key. Interior lever always allows egress.

LHV, LSV,  
HVB, SVB, ECB

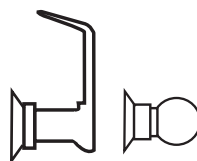
GAL



## 20 EXIT

Blank plate on outside. Interior lever always free.

LSV



## DT DUMMY

Dummy trim for one side of door, no latch.

LSV  
SVB, ECB

GAL

# SPECIFICATIONS

## GLOBAL DOOR LOCK SPECIFICATIONS

SERIES	FUNCTION	TRIM	FEATURE	FINISH
GAL	1151	L	R	- 626
<ul style="list-style-type: none"> <li>GAL</li> <li>GLC</li> <li>GLS</li> </ul>	<ul style="list-style-type: none"> <li>Passage 1110</li> <li>Privacy 1140</li> <li>Entrance 1151</li> <li>Classroom 1170</li> <li>Storeroom 1180</li> <li>Dummy 170</li> </ul>	<ul style="list-style-type: none"> <li>L - Lever</li> <li>B - Ball Knob</li> </ul>	<ul style="list-style-type: none"> <li>Removable Thru-Bolt</li> <li>IC Core</li> </ul>	<ul style="list-style-type: none"> <li>626: Brushed Chrome</li> <li>630: Brushed Stainless Steel</li> <li>605: Polished Brass</li> </ul>

- Must specify if 2<sup>3</sup>/<sub>8</sub>" backset desired.

## TRANS-ATLANTIC LOCK SPECIFICATIONS

SERIES	FUNCTION	FEATURE	FINISH
DL-LHV	53	CL	US26D
<ul style="list-style-type: none"> <li>DL-LHV</li> <li>DL-HVB</li> <li>DL-LSV</li> <li>DL-SVB</li> <li>DL-ECB</li> </ul>	<ul style="list-style-type: none"> <li>Passage 10</li> <li>Privacy 40</li> <li>Entrance 53</li> <li>Classroom 70</li> <li>Storeroom 80</li> <li>Dummy DT</li> </ul>	<ul style="list-style-type: none"> <li>Clutch</li> <li>IC Core</li> </ul>	<ul style="list-style-type: none"> <li>US3: Polished Brass</li> <li>US10B: Oil Rubbed Bronze</li> <li>US26D: Brushed Chrome</li> <li>US32D: Brushed Stainless Steel</li> </ul>

- Must specify keying preferences and keyway.
- Must specify if 2<sup>3</sup>/<sub>8</sub>" backset desired (except for ECB Series)

## Certification Reference

**FEDERAL-** Meets FF-H-106C

**POSITIVE PRESSURE-** Meets UL 10C and UBC 7-2 (1997)

**ADA-** All levers conform to A117.1 Barrier Free Accessibility Code

**ANSI/BHMA-** Meets ANSI A156.4 Series 4000-Grade 2 - Strength and Operational

**CALIFORNIA CODE-** Levers with returns conform to administrative code title 19, levers return to within 1/2" of door face.

# **EXIT DEVICES**

---

Rim Surface

Crash Bar

Narrow Stile

Grade 1 ED500 Series.....29

Grade 2 EDTBAR Series.....31

Grade 2 ED300 Series.....33

Grade 2 STED Series.....35

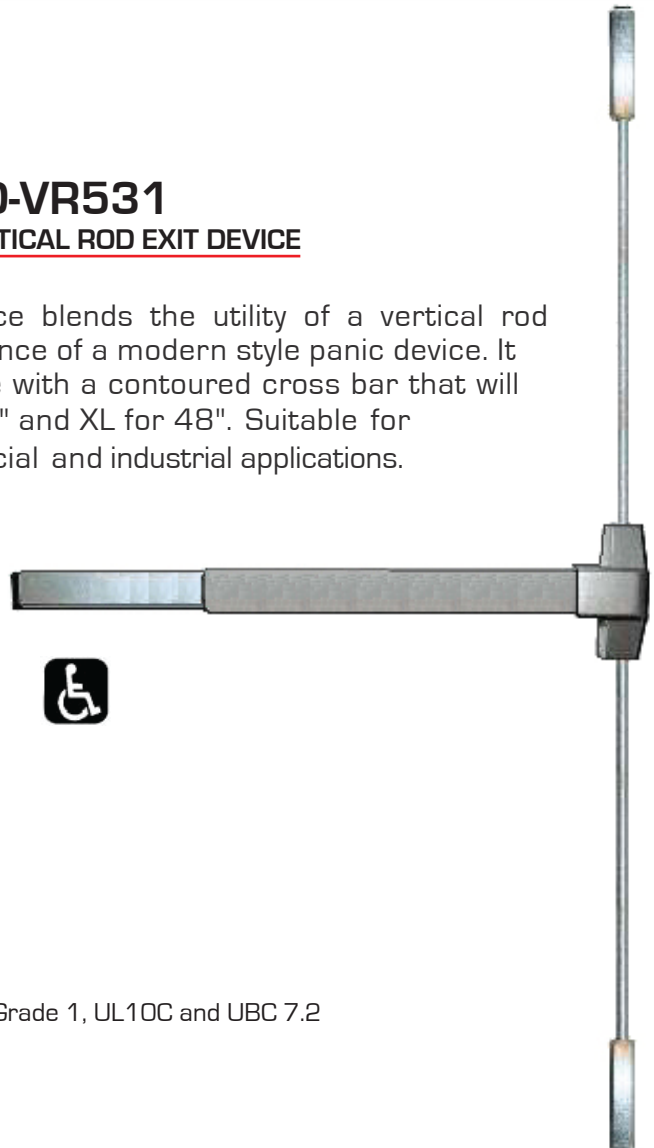
## **ED-501** **RIM SURFACE EXIT DEVICE**

The 501 Series "rim type" exit device is suitable for doors (hollow metal, or wood) where there is no projection on the surface. It is appropriate for heavy duty commercial and industrial applications. Fits doors 26" to 36" and XL for 48" and is non-handed and reversible



## **ED-VR531** **SURFACE VERTICAL ROD EXIT DEVICE**

The VR531 Series panic device blends the utility of a vertical rod application with the appearance of a modern style panic device. It is non-handed and reversible with a contoured cross bar that will fit doors 26" to 36" and XL for 48". Suitable for heavy duty commercial and industrial applications.



### **CODE COMPLIANCE**



- UL Listed SA32524(mfg. SF-EDTBAR/SF-SVRTBAR)) ANSI A156.2 Grade 1, UL10C and UBC 7.2 positive pressure
- ANSI A117.1 ADA Barrier-free Accessibility
- C-UBC California Uniform Builders Code-2001
- NFPA-80 National Fire Protection -1999
- NFPA-101 National Fire Protection - Life Safety-2000

## ED-501

### RIM SURFACE EXIT DEVICE

### FEATURES

- ANSI A 156.3 Grade 1
- **ED-F501**: UL10C fire rated; barrier free 🔥
- Non-handed / reversible
- EAK500: Alarm kit
- Door width: 26" to 36"
- Available in XL: up to 48"
- Projection: 2 ¼"
- Door thickness: 1¾" up to 2"
- Stile: 3" minimum
- Comes with standard strike and shim
- Warranty: 1 year
- Plastic end cap
- Can be cut down to 26" in length
- Finishes: AL, DU, US32D, US3

## ED-VR531

### VERTICAL ROD EXIT DEVICE

### FEATURES

- ANSI A 156.3 Grade 1
- **EDFVR531**: UL10C fire rated; barrier free 🔥
- Door width: 26" to 36"
- Available in XL: up to 48"
- EAK500: Alarm kit
- Projection: 2 ¼"
- Door thickness: 1¾" up to 2"
- Comes with standard strike and shim
- Door height: 7'
- 12" extension rod available - **ED-ROD12**
- Warranty: 1 year
- Plastic end cap
- Can be cut down to 26" in length
- Spring loaded latches
- Finishes: AL, DU, US32D, US3

## CROSS REFERENCE

ANSI GRADE	MATERIAL	TACO	INTERN	TELL	S.PARKER	CRL
A156.3- Grade 1	Steel	ED-501	55105	8300	VL520	NA
A156.3- Grade 1	Steel	ED-F501 🔥	5510F	F8300	52024	NA
A156.3- Grade 1	Steel	ED-VR531	55305	8400	520V	NA
A156.3- Grade 1	Steel	ED-FVR531 🔥	5530F	F8400	5203V	NA

## EXIT DEVICE ACCESSORIES



**ED-BKL500** - Ball Knob  
**ED-LHL500** - Lever  
Entry (Lever available in IC)

**ED-BKL580** - Ball Knob  
**ED-LHL580** - Lever  
Storeroom (Lever available in IC)

**ED-BKL510** - Ball Knob  
**ED-LHL510** - Lever  
Passage

**ED-MP803** - Trim Mounting Plate  
(included with trim)

**ED-KITR** - Roller Strike and Shim



**ED-RC051**  
Rim Cylinder



**ED-P08**  
Pull Handle



**ED-PP05501**  
Pull Plate w/hole



**ED-PL01**  
Push Plate  
with hole



**ED-PP06501**  
Pull Plate



**ED-EAK500**  
Alarm Kit



**ED-SB1024**  
1¾" Thru Bolts  
(sold as each)



**ED-SF1**  
Strike Filler



**ED-LF1**  
Latch Filler



**ED-PS09**  
Overlapping  
Strike

## **TH1100EDTBAR** **RIM SURFACE EXIT DEVICE**

The TH1100EDTBAR Series “touch bar” style exit devices are suitable for doors (hollow metal or wood) where there is no projection on the surface. Manufactured of extruded Anodized Aluminum, the TH1100EDTBAR is durable enough for demanding applications and is non-handed and reversible.



## **TH1100EDSV** **SURFACE VERTICAL ROD EXIT DEVICE**

The TH1100EDSV Surface Vertical Rod device is the perfect choice for double doors without mullions. They are ideal for new construction or renovations and are non-handed and reversible.

### **CODE COMPLIANCE**



- UL Listed SA32524(mfg. SF-EDTBAR/SF-SVRTBAR) ANSI A156.2 Grade 2, UL10C and UBC 7.2 positive pressure
- ANSI A117.1 ADA Barrier-free Accessibility
- C-UBC California Uniform Builders Code-2001
- NFPA-80 National Fire Protection -1999
- NFPA-101 National Fire Protection - Life Safety-2000

## TH1100EDTBAR RIM SURFACE EXIT DEVICE

### FEATURES

- ANSI A156.3 Grade 2
  - Material: Extruded Anodized Aluminum push bar
  - Stainless Steel springs
  - Latch: Stainless Steel, 3/4" throw - 5/8" deadlatch
  - Backset: 2 3/4" Covers 161 prep
  - Strike: Surface mounted for 5/8" stop with shim
  - Projection: 2 1/2" - 1 7/8"
  - Stile: 4 1/4" minimum
  - Non-handed / reversible
  - Door Thickness: 1 3/4" up to 2"
  - Door Width: 36", can be field sized to 30" (48" available)
  - Mounting Height: Recommended installation at 41" from finished floor to center line of push rail
  - Fasteners: Furnished with sheet metal and machine screws
  - Cylinder: Accepts key trim cylinders with flat tail piece
  - Fire Rated: Available - please specify
- Finishes: AL, DU, US32D

## TH1100EDSV SURFACE VERTICAL ROD EXIT DEVICE

### FEATURES

- Material: Extruded Anodized Aluminum push bar
  - Stainless Steel springs
  - Latch: Top pullman type, bottom bolt assembly
  - Door Height: 7' standard
  - Backset: 2 3/4" on 4 1/2" minimum stile width - if less than 4 1/2" backset becomes half of the exposed stile width
  - Strike: Top - surface mounted, Bottom - flat mortise or into threshold, vertical/rim application use DBLST double door strike
  - Projection: 2 1/2" - 1 7/8"
  - Stile: 4 1/2" minimum
  - Non-handed / reversible
  - Door Thickness: 1 3/4" standard
  - Door Width: 36", can be field sized to 30"
  - Mounting Height: Recommended installation at 41" from finished floor to center line of push rail
  - Fasteners: Furnished with sheet metal and machine screws
  - Cylinder: Accepts key trim with a flat tail piece
  - Fire Rated: Available - please specify
- Finishes: AL, DU, US32D

## EXIT DEVICE ACCESSORIES



**ED-BKL500** - Ball Knob  
**ED-LHL500** - Lever  
Entry



**TH1100-RC**  
Rim Cylinder



**TH1100-PLED**  
Pull Plate w/ hole



**TH1100-PLDUM**  
Dummy Pull Plate



**TH1100-PLEO**  
Exit Only Plate

**ED-BKL580** - Ball Knob  
**ED-LHL580** - Lever  
Storeroom



**TH1100-DUMED**  
Dummy Handleset



**TH1100-NLED**  
Night Latch Handleset



**TH1100-TPED**  
Thumbpiece  
Entry Handleset



**TH1100-DBLSTAL**  
Double Door Strike

**TH1100-EXTROD** - 12" Extension Rod for TH1100EDSV



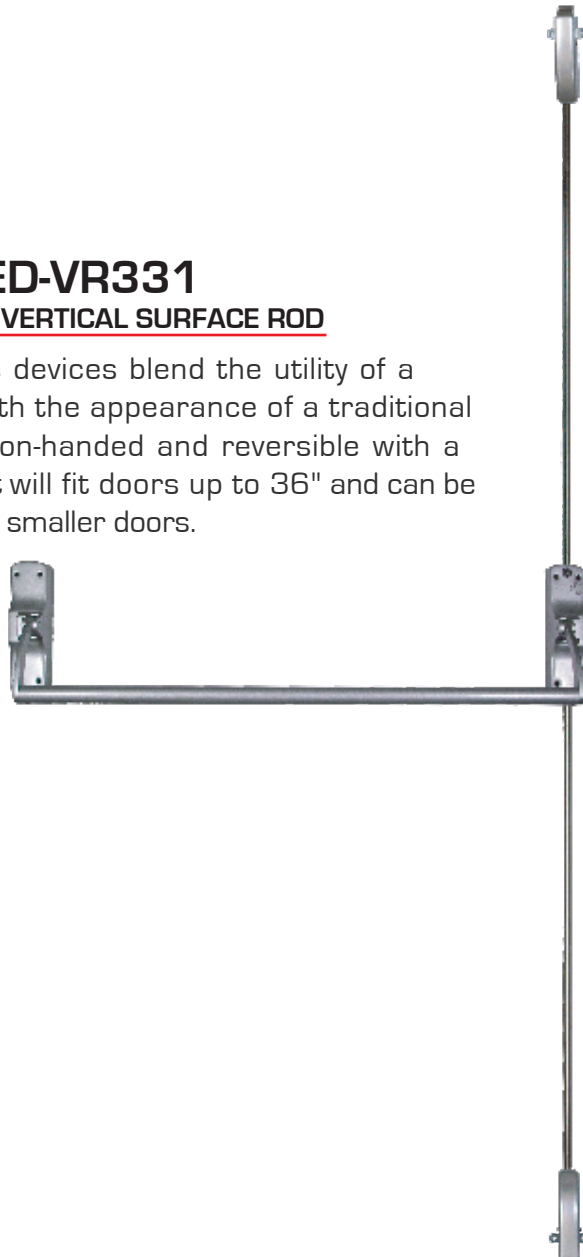
## **ED-301** **CRASH BAR EXIT DEVICE**

The 301 Series "crash bar" exit devices are suitable for wide stile aluminum, wood and hollow metal doors. It is designed for heavy duty commercial and industrial applications. It is non-handed and reversible with a contoured cross bar that will fit doors up to 36" and can be field sized to accommodate smaller doors.



## **ED-VR331** **CRASH BAR VERTICAL SURFACE ROD**

The VR331 Series panic devices blend the utility of a vertical rod application with the appearance of a traditional "crash bar" device. It is non-handed and reversible with a contoured cross bar that will fit doors up to 36" and can be field sized to accommodate smaller doors.



## **CODE COMPLIANCE**



- ANSI A156.2 Grade 2
- ANSI A117.1 ADA Barrier-free Accessibility
- C-UBC California Uniform Builders Code-2001

**ED-301**  
CRASH BAR EXIT DEVICE

**FEATURES**

- ANSI A156.3 Grade 2
- Contoured Aluminum
- Stainless Steel springs
- Latch Case: 1 1/4" x 7 1/4" with 1/2" throw
- Backset: 1 5/32"
- Strike: Rim mounted roller strike with shim
- Projection: 4 1/2"
- Stile: 2" minimum
- Non-handed / reversible
- Door thickness: 1 3/4" standard
- Door width: Up to 36"
- Optional replacement bar for doors 48"
- Fasteners: Furnished with sheet metal, machine screws and shoulder mounting studs with set screws.
- Warranty: 1 year
- Finishes: AL, DU

**ED-VR331**  
CRASH BAR VERTICAL SURFACE ROD

**FEATURES**

- ANSI A156.3 Grade 2
- Contoured Aluminum
- Interlocking top and pullman bottom latch
- Non-handed / reversible
- Door thickness: 1 3/4" standard
- Door width: Up to 36"
- Optional replacement bar for doors 48"
- Door height: Up to 7'
- Fasteners: Furnished with sheet metal, machine screws and shoulder mounting studs with set screws.
- 12" extension rod available - ED-ROD331
- Warranty: 1 year
- Finishes: AL, DU

**EXIT DEVICE ACCESSORIES**



**ED-BKL500** - Ball Knob  
**ED-LHL500** - Lever  
Entry (Lever available in IC)

**ED-BKL580** - Ball Knob  
**ED-LHL580** - Lever  
Storeroom (Lever available in IC)

**ED-MP803** - Trim Mounting Plate  
(included with trim)

**ED-KITR** - Roller Strike and Shim  
(included with device)



**ED-RC051**  
Rim Cylinder



**ED-P08**  
Pull Handle



**ED-PP05**  
Pull Plate w/hole



**ED-PL01**  
Push Plate  
with hole



**ED-PP06**  
Pull Plate



**ED-EAK500**  
Alarm Kit



**ED-SB1024**  
1 3/4" Thru Bolts  
(sold as each)



**ED-SF1**  
Strike Filler



**ED-LF1**  
Latch Filler



**ED-PS08**  
Overlapping  
Strike

## **TH1100-STED** RIM SURFACE NARROW STILE EXIT DEVICE

The TH1100-STED Series narrow stile “rim type” exit devices are suitable for all doors (aluminum, hollow metal or wood) where there is no projection on the surface. Manufactured of extruded Anodized Aluminum, and is durable enough for most demanding applications. **A rim cylinder is included.**



## **TH1100-STEDCVR** CONCEALED VERTICAL ROD NARROW STILE EXIT DEVICE

The TH1100-STEDCVR narrow stile “Concealed Vertical Rod” exit devices are suitable for aluminum doors where there is no projection on the surface. Manufactured of extruded Anodized Aluminum and is durable enough for most demanding applications. **Mortise cylinder and a cylinder mounting pad with locking ring are included.**



### CODE COMPLIANCE



- ANSI A156.2 Grade2, UL SA10672(mfg.9100/9300) UL10C and UBC 7.2 for positive pressure
- ANSI A117.1 ADA Barrier-free Accessibility
- C-UBC California Uniform Builders Code-2001

## TH1100-STED

### RIM SURFACE NARROW STILE EXIT DEVICE

#### FEATURES

- ANSI A156.3 Grade 2
- Narrow stile
- Includes rim cylinder
- UL Listed SA10672(mfg. 9300) - Panic hardware
- Requires a 2" mounting surface for typical use with narrow, medium and wide stile Aluminum, hollow metal or wood doors.
- Non-handed / reversible
- Latch bolt throw 5/8"
- Dogging: Dogging by Hex key in touch bar
- Outside unlatching with standard rim cylinder
- Door Width: Standard units for 36" and 48" door widths (can be field sized)
- Can be used on 30" wide doors
- Finishes: AL, DU

## TH1100-STEDCVR

### CONCEALED VERTICAL ROD NARROW STILE EXIT DEVICE

#### FEATURES

- ANSI A156.3 Grade 2
- Narrow stile
- Includes mortise cylinder and cylinder mounting pad with locking ring
- UL Listed SA10672(mfg. 9100)-Panic hardware
- For use with narrow, medium and wide stile Aluminum doors.
- Non-handed / reversible
- Dogging: Outside unlatching and dogging by cylinder key or dogging by Hex key in touch bar
- Top Steel toggle latch and bottom Steel rod latch bolt
- Unit uses standard TH1100-BC mortise cylinder
- Mounting pad and locking ring
- Door Width: Standard units for 36" and 48" door widths (can be field sized)
- Door Height: up to 7'
- Can be used on 30" wide doors.
- Finishes: AL, DU

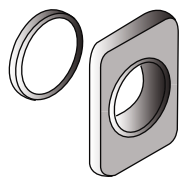
## CROSS REFERENCE

ANSI GRADE	MATERIAL	GLOBAL	INTERN	TELL	S.PARKER	CRL
A156.3- Grade 2	Steel	TH1100-STED	56105	NA	NA	35A
A156.3- Grade 2	Steel	TH1100-STEDCVR	NA	NA	NA	3347A

## EXIT DEVICE ACCESSORIES



**TH1100-BC**  
Mortise Cylinder



**TH1100-CVRPAD**  
Cylinder Mounted Pad  
w/ Locking Ring



**TH1100-RC**  
Rim Cylinder



**TH1100-STED-PULL**  
**TH1100-STED-PULL-9**  
Pull Handle

# **CLOSERS**

---

Surface Mounted

Grade 3 TC2200.....39  
Grade 1 TC2201ADA.....40  
Grade 1 TC200.....41  
Grade 1 TC400 / TC500.....42  
Grade 1 TC600.....43  
Grade 1 TC4361.....45  
Grade 1 TC4300.....47  
Grade 3 TC300.....49

Overhead Concealed

TC7700 Stout.....50  
TC7000.....51

Residential

TC901 Low Profile.....53

Size Chart

Size Chart.....54

**GRADE 3 FIXED SPRING ECONOMY STREAMLINE CLOSER**

The TC2200 is our most economically priced streamline closer. It is recommended for use on aluminum store front, wooden or hollow metal doors. The TC2200 is a versatile utility closer that provides narrow styling and has a full selection of accessories to accommodate the requirements of any application.

Available in spring sizes 2 - 5.



## **FEATURES**

- **TC2200** Grade 3 certified, ANSI/BHMA A156.4
- UL Listed R7483 (mfg. 80/50)
- Aluminum Alloy body
- Non-handed / reversible
- Spring size closers # 2, 3, 4, 5 (backcheck optional 3-5)
- Sized closers 2- 5
- Three independent valves control sweep, latch closing speeds and backcheck
- Packed for standard and top jamb mounting
- Supplied with both wood and machine screws
- 10 year warranty
- Finish: AL, DU

## **OPTIONS**

- Backcheck - BC
- Parallel Arm Mount - PA
- Hold Open Arm - HOA
- Hold Open Parallel Arm Mount - HOPAB-1245 (order separately)

<u>Model #</u>	<u>Body Length</u>	<u>CTC Hole Pattern</u>
TC 2202	8 1/8"	7 3/8" x 3/4"
TC 2203	8 7/8"	8 3/16" x 3/4"
All others	9 7/8"	9 1/16" x 3/4"

## **ACCESSORIES** - See Page 45

## **CROSS REFERENCE**

TC2200	LCN	NORTON	DORMA	DOR-O-MATIC FALCON	RIXSON	SARGENT	YALE	CORBIN- RUSSWIN	ARROW
	NA	9300	644	SC90	NA	NA	2300BC	NA	NA
700	CAL-ROYAL	INTERNATIONAL	JACKSON	RYOBI	SENTINEL	S. PARKER	TACO	TAYMOR	CRL
	90/680/780 850/880/980 750/8050	S225-255	D-1550	S52/S55/S70	NA	DX50/DX90	600	DC52-5	

**GRADE 1 STREAMLINE CLOSER**

The TC2201ADA looks the same as the TC2200 and is ADA compliant. Meets ANSI/BHMA A156.4 Grade 1 requirements. It offers adjustable spring power sizes 1- 4 for use on interior doors requiring less than 5lbs. of opening force and exterior doors requiring less than 8.5 lbs.



**FEATURES**

- **TC2201ADA** Meets ADA, ANSI/BHMA A156.4 Grade 1 requirements
- UL Listed R7483 (mfg. 80)
- Aluminum Alloy body
- Non-handed / reversible
- Adjustable spring size 1-4
- Three independent valves control sweep, latch closing speeds and backcheck
- Packed for standard and top jamb mounting
- Supplied with both wood and machine screws
- 10 year warranty
- Finish: AL, DU, US3

**OPTIONS**

- Backcheck - BC
- Parallel Arm Mount - PA
- Hold Open Arm - HOA
- Hold Open Parallel Arm Bracket - HOPAB-1245 (order separately)

**ACCESSORIES** - See Page 45

<u>Model #</u>	<u>Body Length</u>	<u>CTC Hole Pattern</u>
TC 2202	8 1/8"	7 3/8" x 3/4"
TC 2203	8 7/8"	8 3/16" x 3/4"
All others	9 7/8"	9 1/16" x 3/4"

**CROSS REFERENCE**

	LCN	NORTON	DORIMA	DOR-O-MATIC FALCON	RIXSON	SARGENT	YALE	CORBIN- RUSSWIN	ARROW
TC2200	NA	9300	644	SC90	NA	NA	2300BC	NA	NA
	CAL-ROYAL	INTERNATIONAL	JACKSON	RYOBI	SENTINEL	S. PARKER	TACO	TAYMOR	CRL
	700	90/680/780 850/880/980 750/8050	S225-255	D-1550	S52/S55/S70	NA	DX50/DX90	600	DC52-5



## STANDARD STREAMLINE CLOSER

The TC200 Series is our most versatile closer that provides narrow styling and has a full selection of accessories to accommodate the requirements of any field application. It is recommended for use on aluminum storefront, wooden or hollow metal commercial doors. In this series, we offer fixed spring sizes 2-5. Our TC201ADA model offers adjustable spring power sizes 1-4 for use on interior doors requiring less than 5 lbs. of opening force and exterior doors requiring less than 8.5 lbs. and is ADA compliant. All models will retrofit most full size closers with a 9 1/16" industry standard hole pattern.



## FEATURES

- Grade 1 certified, ANSI/BHMA A156.4
- UL Listed R7483 (mfg. 100)
- Aluminum Alloy body
- Non-handed / reversible
- Spring size closers # 2, 3, 4
- Three independent valves control sweep, latch and backcheck closing speeds
- Packed for standard and top jamb mounting
- Supplied with both wood and machine screws
- 25 year warranty
- Finish: AL, DU
- **TC201ADA- conforms** to handicap code requirements
- Multi-size closers 1-4 (TC201ADA) 2-4 (TC201)

## OPTIONS

- Parallel Mount - PA
- Hold Open Arm- HOA
- Hold Open Parallel Arm Bracket - HOPAB-1245 (order separately)

## ACCESSORIES - See Page 45

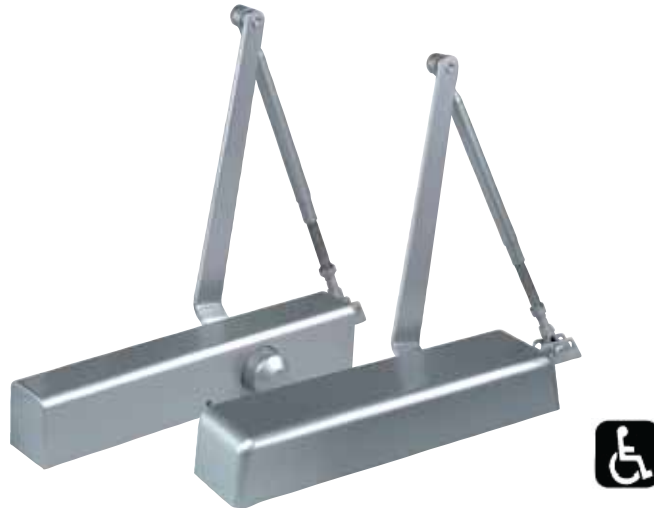
Model #	Body Length	CTC Hole Pattern
TC201	9 7/8"	9 1/16" x 3/4"

## CROSS REFERENCE

TC200	LCN	NORTON	DORMA	DOR-O-MATIC FALCON	RIXSON	SARGENT	YALE	CORBIN- RUSSWIN	ARROW
	1070	1600*	600	SC60/61	NA	1130	51*	DC4600	1000
	CAL-ROYAL	INTERNATIONAL	JACKSON	RYOBI	SENTINEL	S. PARKER	TACO	TAYMOR	CRL
	NA	NA	NA	NA	S50/S51	NA	NA	NA	NA

## GRADE 1 HEAVY DUTY CLOSER

The TC400 and TC500 Series are recommended for use on commercial, architectural and institutional applications. These models are ideal for commercial, new construction and renovations. Both models have a full selection of accessories to accommodate the requirements of any door application. Fully compliant with opening force requirements for ADA and ANSI/BHMA standards.



## FEATURES

- Grade 1 certified, ANSI/BHMA A156.4
- UL Listed R7483 (mfg. 5000)
- Aluminum Alloy body
- Non-handed / reversible
- Narrow cover - 400 slimline series
- Full cover - 500 standard series
- Multi-size spring models - 411/511 adjustable power 1-4 ADA barrier free, 412/512 adjustable power 2-6
- Three independent regulating valves - control sweep, latch closing speeds and backcheck
- Tri packed - regular, top jamb, parallel arm mount
- Supplied with both wood and machine screws
- 25 year warranty
- Finish: AL, DU

## OPTIONS

- Delayed Action - TC411DA in lieu of backcheck
- Hold Open Parallel Arm Bracket - HOPAB-1245 (order separately)

## ACCESSORIES - See Page 45

<u>Model #</u>	<u>CTC Hole Pattern</u>
TC400/500	12" x 3/4"

## CROSS REFERENCE

	LCN	NORTON	DORMA	DOR-O-MATIC FALCON	RIXSON	SARGENT	YALE	CORBIN- RUSSWIN	ARROW
TC400	NA	8301	8600	SC80	M2220PH	1330	3301	NA	5000
TC500	NA	8501	NA	SC81	M2220	M30	3501	DC3200	5000

	CAL-ROYAL	INTERNATIONAL	JACKSON	RYOBI	SENTINEL	S. PARKER	TACO	TAYMOR	CRL
TC400	801	5050	NA	D-3551	NA	BF900	831	NA	PR50
TC500	8015	5000	NA	D-3550	NA	900BC	851	NA	PR52

## GRADE 1 FULL COVER CLOSER

The TC600 Series is our most economically priced full cover closer. It is recommended for use on commercial, architectural and institutional applications. It is ideal for new construction and renovations. This model has a full selection of accessories to accommodate the requirements of any field application. Fully compliant with opening force requirements for ADA and ANSI/BHMA standards. This closer is also available in Bright Brass to meet architectural applications.



### FEATURES

- Grade 1 certified, ANSI/BHMA A156.4
- UL Listed R7483 (mfg. 5300)
- Aluminum Alloy body
- Non-handed / reversible
- Full cover included
- Multi-size spring models- 611 adjustable power 1-4 ADA barrier free, 612 adjustable power 2-6
- Three independent regulating valves - control sweep, latch closing speeds and backcheck
- Tri packed- regular, top jamb, parallel arm mount
- 15 year warranty
- Finish: AL, DU, US3

### OPTIONS

- Hold Open - HOA
- Hold Open Parallel Arm Bracket - HOPAB-1245 (order separately)

### ACCESSORIES - See Page 45

<u>Model #</u>	<u>CTC Hole Pattern</u>
TC611/612	11 <sup>3</sup> / <sub>32</sub> " x <sup>3</sup> / <sub>4</sub> "

## CROSS REFERENCE

<b>TC600</b>	LCN	NORTON	DORMA	DOR-O-MATIC FALCON	RIXSON	SARGENT	YALE	CORBIN- RUSSWIN	ARROW
	NA	NA	NA	NA	NA	NA	NA	NA	NA
	CAL-ROYAL	INTERNATIONAL	JACKSON	RYOBI	SENTINEL	S. PARKER	TACO	TAYMOR	CRL
	900	9000	NA	NA	S2500	NA	70	1900	NA

## DOOR CLOSER ACCESSORIES

For the TC2200, TC2201ADA, TC200, TC201ADA,  
TC400, TC500, TC600 Series



**RA-1240**  
REGULAR ARM



**HOA-1245**  
HOLD OPEN ARM



**TJ-1240**  
TOP JAMB EXTENDER



**PAB-2200**  
PARALLEL ARM BRACKET  
(MUST REMOVE SHOE)



**PAB-1245**  
L SHAPED PARALLEL  
ARM BRACKET



**HOPAB-1245**  
HOLD OPEN PARALLEL  
ARM BRACKET



**SXN-134**  
1 3/4" THRU-BOLTS

## TC2200 / TC2201ADA / TC200 ACCESSORIES



**DP-1214**  
3 1/4" DROP PLATE



**DP-1204**  
2 1/4" NARROW DROP PLATE  
(PA INSTALLATION)



**COV-2200**  
COVER



**COV-200**  
COVER

## TC400 / TC500 ACCESSORIES



**DP-1045**  
DROP PLATE



**COV-411**  
SLIMLINE COVER



**COV-511**  
FULL COVER

## T600 ACCESSORIES



**DP-1006**  
DROP PLATE

## HEAVY DUTY GRADE 1 CLOSER

The TC4361 Series is recommended for use on heavy duty commercial, architectural and institutional applications. It is ideal for new construction and renovations. It has a full selection of accessories to accommodate the requirements of any application. The series is tri-packed standard. Closers with non-hold open arms are UL listed for "A" label fire doors. Fully compliant with opening force requirements for ADA and ANSI/BHMA standards.



## CODE COMPLIANCE



- UL Listed R7483 (mfg. 5000)
- ANSI A156.2 Grade 1, UL10C and UBC 7.2 for positive pressure
- ANSI A117.1 ADA Barrier-free Accessibility
- C-UBC California Uniform Builders Code-2001

## FEATURES

- Grade 1 certified, ANSI/BHMA A156.4
- UL Listed R7483 (mfg. 5000)
- Aluminum Alloy body
- Non-handed / reversible
- Slimline cover
- Multi-size springs - 1-6 adjustable power ADA compliant
- Three independent regulating valves that control sweep, latch closing speeds and backcheck
- Tri packed- regular, top jamb, parallel arm mount
- Supplied with both wood and machine screws
- 25 year warranty
- Finish: AL, DU

## OPTIONS

- Heavy Duty - HD
- Cush-N-Stop Arm - CNS
- Hold Open Cush-N-Stop Arm - HOACNS

Model #	CTC Hole Pattern
TC4361	7 1/2" x 1"

## CROSS REFERENCE

TC4361	LCN	NORTON	DORMA	DOR-O-MATIC FALCON	RIXSON	SARGENT	YALE	CORBIN- RUSSWIN	ARROW
	1460*	NA	NA	NA	NA	NA	NA	NA	NA
	CAL-ROYAL	INTERNATIONAL	JACKSON	RYOBI	SENTINEL	S. PARKER	TACO	TAYMOR	CRL
	NA	NA	NA	NA	NA	NA	NA	NA	NA

## DOOR CLOSER ACCESSORIES



**DP-4361-18**  
DROP PLATE - PULL SIDE  
DOOR MOUNT AND TOP JAMB



**RA-4361**  
REGULAR ARM



**RA4361-3077CNS**  
CUSH-N-STOP ARM



**PAB-4361**  
PARALLEL  
ARM BRACKET



**DP-4361-18PA**  
DROP PLATE  
PARALLEL ARM



**HOA-4361-CNS**  
HOLD OPEN  
CUSH-N-STOP ARM



**SXN-134**  
1 3/4" THRU-BOLTS

## GRADE 1 HEAVY DUTY CLOSER

The TC4300 Series is our heaviest duty closer for institutional and other high traffic demanding applications. It has a wide choice of options and installation accessories to accommodate the requirements specified in any industrial or institutional application. This model comes tri-packed standard and can be ordered with different arm styles for maximum versatility. Fully compliant with opening force requirements for ADA and ANSI/BHMA standards.



## CODE COMPLIANCE



- UL Listed R7483 (mfg. 5300)
- ANSI A156.2 Grade1, UL10C and UBC 7.2 for positive pressure
- ANSI A117.1 ADA Barrier-free Accessibility
- C-UBC California Uniform Builders Code -2001

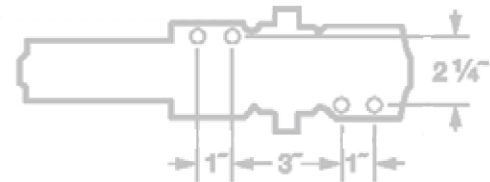
## FEATURES

- Grade 1 certified, ANSI/BHMA A156.4
- UL Listed R7483 (mfg. 5300)
- Cast Iron Body with Hardened Steel rack & pinion
- Non-handed / reversible
- Multi-size springs: 1-6 adjustable power ADA compliant
- Three independent regulating valves - control sweep, latch closing speeds, and backcheck
- Tri packed- regular pull side, top jamb, parallel arm
- Supplied with both wood and machine screws
- 25 year warranty
- Finish: AL, DU, US3

## OPTIONS

- Heavy Duty - HD
- Cush-N-Stop Arm - CNS
- Hold Open Cush-N-Stop Arm - HOACNS

Hole Pattern



## CROSS REFERENCE

TC4300	LCN	NORTON	DORMA	DOR-O-MATIC FALCON	RIXSON	SARGENT	YALE	CORBIN- RUSSWIN	ARROW
	4040	7500/7700	8916	SC71	NA	351	P400	DC6000	NA
TC4300	CAL-ROYAL	INTERNATIONAL	JACKSON	RYOBI	SENTINEL	S. PARKER	TACO	TAYMOR	CRL
	CR441	4400	NA	NA	NA	NA	CTP40	NA	PR90

## DOOR CLOSER ACCESSORIES





### GRADE 3 LIGHT DUTY CLOSER

The TC300 Series is a great alternative for use on interior and light weight exterior door applications. Its compact design has the features and appearance of a full size closer but requires less space on a door for installation. The TC300 is commonly used on projects that specify multiple interior closers to address budget concerns. They are an excellent choice for hotels, condominiums, apartment complexes and single-family residences.

### FEATURES

- Grade 3 certified, ANSI/BHMA A156.4
- UL Listed R7483 (mfg. 50)
- Aluminum Alloy body
- Non-handed / reversible
- One compact body for all power sizes 2, 3, 4
- Two independent regulating valves control sweep and latch speeds
- 10 year warranty
- Finish: AL, DU



### OPTIONS

- Parallel Arm - PA
- Drop Plate - DP

Model #	Body Length	CTC Hole Pattern
TC300	7 7/8"	6 3/8" x 3/4"

### CROSS REFERENCE

TC300	LCN	NORTON	DORMA	DOR-O-MATIC FALCON	RIXSON	SARGENT	YALE	CORBIN- RUSSWIN	ARROW
	NA	1700	TS77	SC91	NA	NA	2201	NA	NA
TC300	CAL-ROYAL	INTERNATIONAL	JACKSON	RYOBI	SENTINEL	S. PARKER	TACO	TAYMOR	CRL
	400	61/951	NA	NA	S40	NA	EV66	500	DC51

### DOOR CLOSER ACCESSORIES



**DP-1003**  
DROP PLATE



**PAB-1003**  
PARALLEL  
ARM BRACKET



**SXN-134**  
1 3/4" THRU-BOLTS

# TC7700 SERIES

## OVERHEAD CONCEALED CLOSER

The TC7700 Series or "Stout" replaces the original "Kawneer Husky" concealed overhead closer. This new version features a two-speed closing control to prevent the door from slamming against the stop on single-acting applications. It also prevents over-swing on double-acting applications.

The TC7700 is an ideal choice for schools, office buildings, hospitals, department stores and any other commercial facilities.

## FEATURES

- Control: Two valves for latch and closing speed adjustment
- Closer body spring tension: light #3, medium #4, heavy #5
- Swing: 90 or 105 degree - non-handed
- Feature: Hold open or non-hold open
- Replacement for Kawneer Husky
- Order arms, track, and pivot separately
- 2 year warranty



## OPTIONS

- Spring Tension: LT, MED, HD
- Swing: 90 degree or 105 degree
- Hold open or non-hold open - HO/NHD

**Closing Speed Adjustment Tip:** Through the first 80 degrees of the closing cycle, the door should be kept at a moderate speed to prevent "heel bumping" as someone enters through an out-swing door.

## CROSS REFERENCE

GLOBAL #	KAWNEER #
TC7720	37-626
TC7721	37-624
TC7722	37-625
TC7730	37-629
TC7731	37-627
TC7732	37-628
TC7740	37-632
TC7741	37-630
TC7742	37-631

## DOOR CLOSER ACCESSORIES



**KTA**  
TOP ARM



**S2 - TRACK / ARM**  
OFFSET ARM / ARM TRACK



**TH1119-BCP**  
BOTTOM CENTER PIVOT

## OVERHEAD CONCEALED CLOSER

For those who prefer the visual advantages of a concealed door closer, the TC7000 Series compact design offers an excellent “hidden” solution. Center-pivoted for single and double acting doors. This model is recommended for installation in aluminum door frame applications. It features multiple spring tensions available to match any door size and weight. Consistent closure speed is assured with its temperature-sensitive hydraulic fluid.



## APPLICATIONS

### **Center Hung Doors - Double or Single Acting**

- SLA Type adjustable side loading top arm assembly: 1/2" depth top rail
- ELA Type end loading top arm assembly: 1" depth top rail
- KRM Type end loading top arm assembly: 5/8" depth top rail  
(For center pivoted applications - order bottom pivot set)

### **Offset Hung Doors - Single Acting**

- Offset/JO Mortised Type offset top arm assembly: 9/16" depth top rail - Aluminum OFFSET-ARM-2: for 7/8" deep rails
- For offset pivoted or butt hinged applications - no bottom pivot set required, offset pivots or butt hinges order separately. For doors 175 - 225 lbs. offset application

### **Pivot Sets**

- OHC-PIVOT - Adjustable dual purpose bottom pivot set - Standard application
- AE-PIVOT - Adjustable threshold mount bottom pivot set - 1" deep bottom rail
- GE-PIVOT - Adjustable threshold mount bottom pivot set - 1 1/2" deep bottom rail

# TC7000 SERIES

## FEATURES

- UL Listed R7483 (mfg. 800)
- Material: Cast Iron housing, high tensile Steel camshaft and pistons
- Two independent regulated valves for latch and closing speed adjustment
- Replaces: Jackson 20-330 series closer or #21-101 packages and International 200 series
- Mounting: fits in an aluminum header or transom bar as small as 1 3/4" x 4"
- Stocked LP less parts
- Non-hold open closers are UL Listed
- Closer body spring tension: adjustable 2-5, light #2, medium #3, heavy #5
- Center Pivoted only are ADA compliant: barrier free adjustable models TC7010, TC7011
- 90 or 105 degree swing - non-handed
- Feature: Hold open or non-hold open
- 5 year warranty

## OPTIONS

- Spring Tension: ADJ LT, MED, HD
- Swing: 90 degree or 105 degree
- Hold open or non-hold open
- Arm Type: SLA, ELA, KRM, OFFSET-ARM, OFFSET-ARM-2
- Pivot Set: OHC, AE, GE
- Extended Spindle - TC7031LP-EXT

## Model Size Selection

DOOR SIZE	MAXIMUM DOOR WEIGHT	SPRING TENSION	TYPE	MODEL NUMBER
36" to 48"	225 lbs.	Adjustable	105° back stop with hold open at 105° 105° back stop - non-hold open	TC7010LP TC7011LP
30" & under	125 lbs.	Light Duty	105° back stop with hold open at 105° 105° back stop - non-hold open 90° back stop with hold open at 90° 90° back stop - non-hold open	TC7020LP TC7021LP TC7022LP TC7023LP
Up to 41"	175 lbs.	Medium Duty	105° back stop with hold open at 105° 105° back stop - non-hold open 105° back stop - non-hold open 90° back stop with hold open at 90° 90° back stop - non-hold open	TC7030LP TC7031LP TC7031LP-EXT TC7032LP TC7033LP
Up to 48" reinforcement required	225 lbs. & up	Heavy Duty	105° back stop with hold open at 105° 105° back stop - non-hold open 90° back stop with hold open at 90° 90° back stop - non-hold open	TC7040LP TC7041LP TC7042LP TC7043LP

**Duty or spring tension of a closer refers to the opening force; lbs. of pressure required to open a door.**

## CROSS REFERENCE

TC7000	LCN	NORTON	DORMA	DOR-O-MATIC FALCON	RIXSON	SARGENT	YALE	CORBIN- RUSSWIN	ARROW
	NA	NA	NA	OHC100	608	NA	NA	NA	NA
TC7000	CAL-ROYAL	INTERNATIONAL	JACKSON	RYOBI	SENTINEL	S. PARKER	TACO	TAYMOR	CRL
	NA	100/200	20-330	30	S30	400	32	NA	300/7000/8000



**SLA**  
SIDE LOAD ARM



**ELA**  
END LOAD ARM



**KRM**  
"K" TYPE ARM



**OFFSET-ARM**  
OFFSET ARM W/TRACK  
FOR 7/8" DEEP RAILS



**OHC-PIVOT**  
DUAL PURPOSE BOTTOM  
PIVOT SET



**AE-PIVOT**  
AE PIVOT SET



**GE-PIVOT**  
GE PIVOT SET



**OFFSET-ARM-2**  
OFFSET ARM W/TRACK  
FOR 5/8" DEEP RAILS

## TC901

### LOW PROFILE, MINI DOOR CLOSER



- Low profile, residential mini door closer
- For wood or metal doors
- For any door up to 150 lbs. / 36" wide
- Easy to install, no special tools required
- Reversible for left or right hand doors
- Applicable for out swinging / in swinging doors
- Available with hold open / non hold open feature
- Finish: WH-White, BR-Brown

MODEL #	MAXIMUM DOOR SIZE	MAXIMUM DOOR WEIGHT	SPRING TENSION
TC901	36" Interior	150 lbs.	3

# SIZE CHART

## MODEL SIZE SELECTION

<b>TC4361 SERIES</b>			
TC4361	60" Interior/48" Exterior	258 lbs.	Adjustable 1-6
<b>TC200 SERIES</b>			
TC201ADA	44" Interior/36" Exterior	243 lbs.	Adjustable 1-4
TC201	48" Interior/42" Exterior	258 lbs.	Adjustable 2-5
TC203	36" Interior/30" Exterior	155 lbs.	3
TC204	44" Interior/36" Exterior	243 lbs.	4
<b>TC2200 SERIES</b>			
TC2201ADA	44" Interior/36" Exterior	243 lbs.	Adjustable 1-4
TC2202	32" Interior	137 lbs.	2
TC2203	36" Interior/30" Exterior	155 lbs.	3
TC2204	44" Interior/36" Exterior	243 lbs.	4
TC2205	48" Interior/42" Exterior	250 lbs.	5
<b>TC300 SERIES</b>			
TC302	32" Interior	137 lbs.	2
TC303	36" Interior/30" Exterior	155 lbs.	3
TC304	44" Interior/36" Exterior	243 lbs.	4
<b>TC400 SERIES</b>			
TC411	44" Interior/36" Exterior	243 lbs.	Adjustable 1-4
TC412	60" Interior/48" Exterior	258 lbs.	Adjustable 2-6
<b>TC4300 SERIES</b>			
TC4300	60" Interior/48" Exterior	300 lbs.	Adjustable 1-6
<b>TC500 SERIES</b>			
TC511	44" Interior/36" Exterior	243 lbs.	Adjustable 1-4
TC512	60" Interior/48" Exterior	258 lbs.	Adjustable 2-6
<b>TC600 SERIES</b>			
TC611	44" Interior/36" Exterior	243 lbs.	Adjustable 1-4
TC612	60" Interior/48" Exterior	258 lbs.	Adjustable 2-6
<b>TC7000 SERIES</b>			
TC7010 LP	60" Interior/48" Exterior	225 lbs.	Adjustable 2-4
TC7011 LP	60" Interior/48" Exterior	225 lbs.	Adjustable 2-4
TC7020 LP	36" Interior/30" Exterior	125 lbs.	3
TC7021 LP	36" Interior/30" Exterior	125 lbs.	3
TC7022 LP	36" Interior/30" Exterior	125 lbs.	3
TC7023 LP	36" Interior/30" Exterior	125 lbs.	3
TC7030 LP	44" Interior/36" Exterior	175 lbs.	4
TC7031 LP	44" Interior/36" Exterior	175 lbs.	4
TC7032 LP	44" Interior/36" Exterior	175 lbs.	4
TC7033 LP	44" Interior/36" Exterior	175 lbs.	4
TC7040 LP	48" Interior/42" Exterior	225 lbs.	5
TC7041 LP	48" Interior/42" Exterior	225 lbs.	5
TC7042 LP	48" Interior/42" Exterior	225 lbs.	5
TC7043 LP	48" Interior/42" Exterior	225 lbs.	5
<b>TC7700 SERIES</b>			
TC7720	36" Interior/30" Exterior	155 lbs.	3
TC7721	36" Interior/30" Exterior	155 lbs.	3
TC7722	36" Interior/30" Exterior	155 lbs.	3
TC7730	44" Interior/36" Exterior	243 lbs.	4
TC7731	44" Interior/36" Exterior	243 lbs.	4
TC7732	44" Interior/36" Exterior	243 lbs.	4
TC7740	48" Interior/42" Exterior	375 lbs.	5
TC7741	48" Interior/42" Exterior	375 lbs.	5
TC7742	48" Interior/42" Exterior	375 lbs.	5

# HINGES

---

**Residential  
Hinges**

Residential Full Mortise Hinges..... 57

**Commercial  
Hinges**

Commercial Template Hinges..... 58

Plain Bearing Hinges

Ball Bearing Hinges

Storefront Hinges

Heavyweight Hinges

**Spring Hinges**

Full Mortise Spring Hinges..... 60

**Barrel Spring  
Hinges**

Barrel Spring Hinges..... 60

Single Acting Spring Hinges

Double Acting Spring Hinges

**Continuous  
Hinges**

Full Mortise Continuous Hinges..... 61

Full Surface Continuous Hinges..... 62

Continuous Hinge Reference Chart..... 63

**Accessories**

Hinge Accessories..... 64

Reinforcing Hinge

Hinge Pin Door Closer

Door Silencers



## RESIDENTIAL FULL MORTISE HINGE

The residential full mortise hinge is recommended for use on non-commercial interior and exterior door applications. For use on light to medium weight doors.



## FEATURES

- Product testing conforms to ANSI - A156.1 and A156.17
- Full mortise residential
- Square, 1/4" and 5/8" radius corners
- Steel base material with steel pin
- Plain bearing removable pin, reversible
- For light to medium weight residential door applications
- Use 3.5" x 3.5" on 1 3/8" hollow or solid core interior doors
- Use 4.0" hinges on heavy residential 1 3/4" doors.
- Packed with 3/4" x #9 Phillips head screws
  - 3.5" x 3.5" - wood screws only
  - 4.0" x 4.0" - wood and machine screws

Model Number	Finishes	Size	Bearing	Type	Thickness
CP3535*	USP, US3, US4, US10B, US15, US26, US26D	3.5" x 3.5"	Plain	Full Mortise	.085" (2.2mm)
CP4040	USP, US3, US4, US10B, US15, US26, US26D	4.0" x 4.0"	Plain	Full Mortise	.129" (3.3mm)

\*NOTE - Residential hinges are not available in non-ferrous base material.

## COMMERCIAL TEMPLATE HINGES

**BALL BEARING**



**HEAVY WEIGHT BALL BEARING**



### FEATURES

- Commercial: Standard and heavy weight
- Sizes: 3.5 x 3.5", 4.5" x 4", 4.5" x 4.5", 4.5" x 5", 5" x 4.5"
- Plain and ball bearing
- Pin: Steel non-rising removable with button tip
- Type: Full mortise
- Corner: Square corner standard,  $\frac{5}{32}$ " radius available for store front application
- Base material: Steel and Stainless Steel
- Door: For medium to heavy weight
- Fasteners: Packed with wood and machine screws (self-tapping)
- Installation: Template screw hole locations
- Pack: 3 per box sold as each

\* Storefront application hinge

### ANSI / BHMA STANDARDS

- Conforms to ANSI A8133 for Plain Bearing
- Conforms to ANSI A8112 for Ball Bearing
- Conforms to ANSI A8111 for Heavy Duty Ball Bearing
- Conforms to ANSI A5133 for Stainless Steel Plain
- Conforms to ANSI A5112 for Stainless Steel Bearing
- Conforms to ANSI A5111 for Stainless Steel HD BB

Model Number	Finish	Base Material	Size	Bearing	Type	Thickness
CP3535BB	US26D	Steel	3.5" x 3.5"	Ball Bearing	Full Mortise	.119" (3.0mm)
* CP4540BBNRP	US10B, US26D	Steel	4.5" x 4.0"	Ball Bearing NRP	Full Mortise	.134" (3.4mm)
CP4545	USP, US3, US4, US10B, US26, US26D	Steel	4.5" x 4.5"	Plain	Full Mortise	.134" (3.4mm)
CP4545BB	USP, US3, US4, US10B, US26, US26D	Steel	4.5" x 4.5"	Ball Bearing	Full Mortise	.134" (3.4mm)
CP4545BBNRP	USP, US3, US4, US10B, US26, US26D	Steel	4.5" x 4.5"	Ball Bearing NRP	Full Mortise	.134" (3.4mm)
CS4540	US32D	Stainless Steel	4.5" x 4.0"	Plain	Full Mortise	.134" (3.4mm)
* CS4540BBNRP	US10B, US32D	Stainless Steel	4.5" x 4.0"	Ball Bearing NRP	Full Mortise	.134" (3.4mm)
CS4545	US32D	Stainless Steel	4.5" x 4.5"	Plain	Full Mortise	.134" (3.4mm)
CS4545BB	US32D	Stainless Steel	4.5" x 4.5"	Ball Bearing	Full Mortise	.134" (3.4mm)
CS4545BBNRP	US32D	Stainless Steel	4.5" x 4.5"	Ball Bearing NRP	Full Mortise	.134" (3.4mm)
CPH4545BB	US26D	Steel	4.5" x 4.5"	Ball Bearing	Full Mortise Heavy Weight	.180" (4.6mm)
CPH4545BBNRP	US26D	Steel	4.5" x 4.5"	Ball Bearing NRP	Full Mortise Heavy Weight	.180" (4.6mm)
CSH4545BB	US32D	Stainless Steel	4.5" x 4.5"	Ball Bearing	Full Mortise Heavy Weight	.180" (4.6mm)
CSH4545BBNRP	US32D	Stainless Steel	4.5" x 4.5"	Ball Bearing NRP	Full Mortise Heavy Weight	.180" (4.6mm)
CSH5045BB	US26D	Steel	5" x 4.5"	Ball Bearing	Full Mortise Heavy Weight	.190" (4.8mm)
BB168SQNRP545	US26D	Steel	5" x 4.5"	Ball Bearing, NRP	Full Mortise Heavy Weight	.190" (4.8mm)
SSBB168SQNRP545	US32D	Stainless Steel	5" x 4.5"	Ball Bearing, NRP	Full Mortise Heavy Weight	.190" (4.8mm)

# SPRING HINGES

## FULL MORTISE SPRING HINGES

Our full mortise single acting spring hinge is recommended for use where automatic self closing of a door is required. This three knuckle hinge is adjustable and the spring tension can be increased or decreased by using adjusting tool included. For maximum versatility use three spring hinges on required opening. Full spring tension may not be required on all hinges but allows for greater adjustment.



## FEATURES

- **Conforms to ANSI / BHMA - K81071F for self closing hinges**
- Meets NFPA 80 for 3 hour fire rating
- Steel base material
- Square and 5/8" radius corner available on 3.5" x 3.5" and 4.0" x 4.0"
- Template screw hole locations
- 3.5" packed with wood screws, 4.0, and 4.5 packed with both wood and machine screws

Model Number	Finish	Base Material	Size	Bearing	Type	Thickness
CPS3535	USP, US3, US4, US10B, US15, US26, US26D	Steel	3.5"x 3.5"	Plain	Full Mortise Spring	.097" (2.5mm)
CPS4040	USP, US3, US4, US10B, US15, US26, US26D	Steel	4.0"x 4.0"	Plain	Full Mortise Spring	.129" (3.3mm)
CPS4545	USP, US3, US4, US10B, US15, US26, US26D	Steel	4.5"x 4.5"	Plain	Full Mortise Spring	.134" (3.4mm)

\*NOTE - Spring hinges are not available in non - ferrous base material.

# BARREL SPRING HINGES

## SINGLE AND DOUBLE ACTING SPRING HINGES

Our single acting and double acting spring hinges are both made to strict specifications for exceptional quality. They are recommended for use when automatic self closing of a door is required.

Double acting spring hinges are recommended for doors that need to open in both directions and return automatically to center such as cafe doors.



**DH-5500SA66**



**DH-TAN5004**

## FEATURES

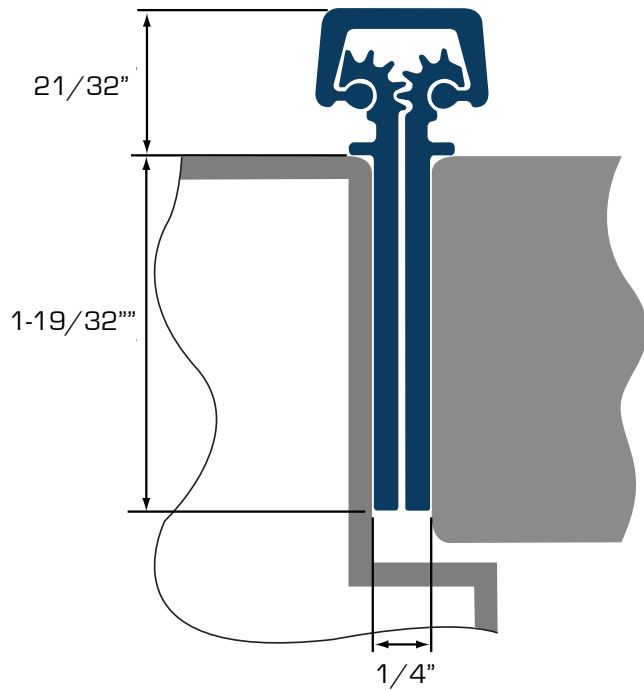
- ANSI A81071F for self closing hinges
- Commercial: Standard weight
- Single and double acting
- Corner: square standard
- For medium to heavy weight door
- Packed with wood and machine screws
- Similar to Bommer type "big barrel" hinges
- Sold in pairs

Model Number	Finish	Base Material	Size	Bearing	Type
CPS4550ADJ-USPM	USP	Steel	4.5" x 5"	Plain bearing	Full mortise
DH-5500SA66	USP	Steel	6" x 6"	Plain bearing	Full mortise
DH-5579645	USP	Steel	6" x 4.5"	Plain bearing	Full mortise
DH-5500SA77	USP	Steel	7" x 7"	Plain bearing	Full mortise
DH-TAN5004	BK, GV, USP, US3	Steel	4"	Plain bearing	Full mortise, double action
DH-TAN5005	BK, GV, USP, US3	Steel	5"	Plain bearing	Full mortise, double action
DH-TAN5006	BK, GV, USP, US3	Steel	6"	Plain bearing	Full mortise, double action

## FULL MORTISE CONTINUOUS HINGES

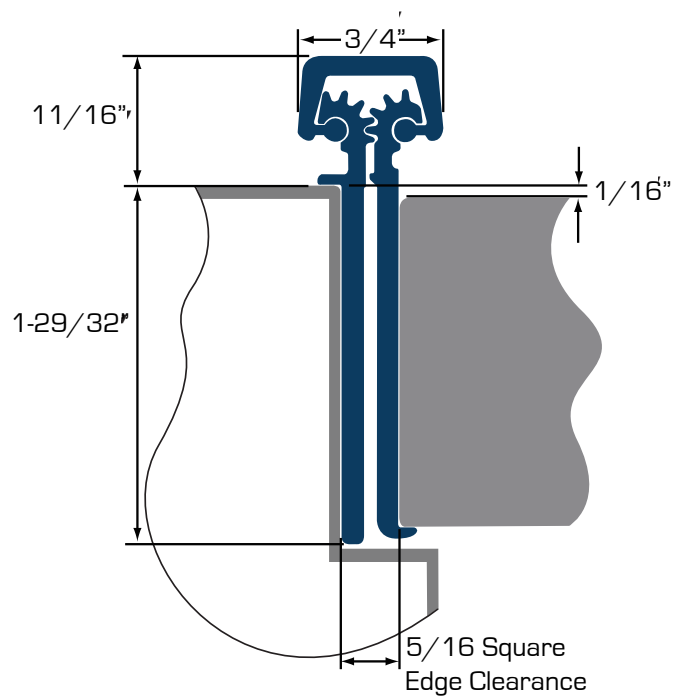
### CFM

- Flush mount
- Each hinge leaf has an alignment stop
- 1/4" clearance between door and frame
- Available length: 83"



### FM2

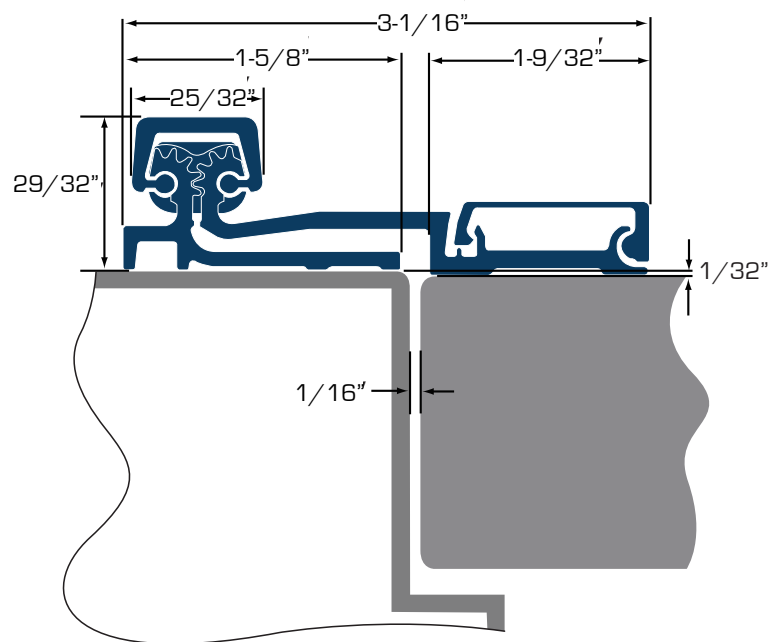
- 1/16" recessed door offset
- Door edge guard
- 5/16" clearance between door and frame
- Available lengths: 83" and 95" HD



## FULL SURFACE CONTINUOUS HINGES

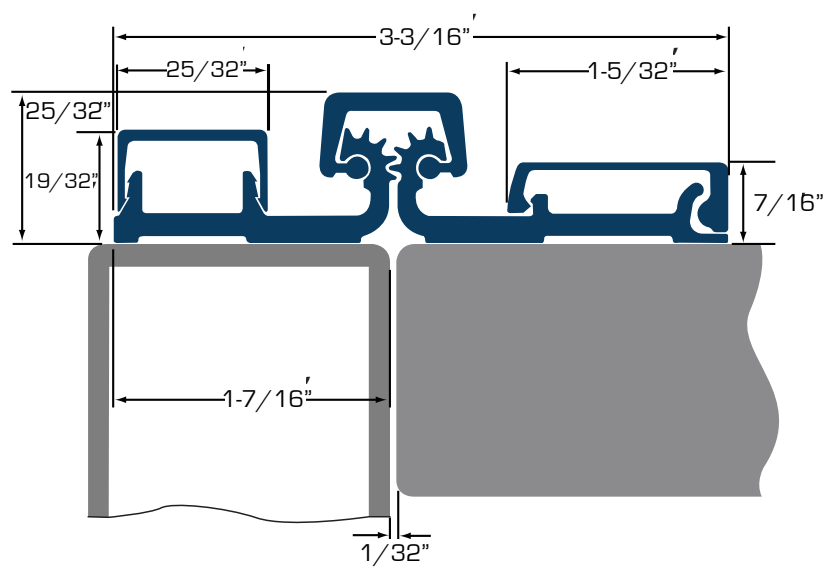
### FULL SURFACE

- Full surface continuous hinge
- $1/32''$  recessed door offset
- Tamper resistant removable cover
- $1/16''$  clearance between door and frame
- Available length: 83"



### LIMITED FRAME

- Full surface continuous hinge
- For narrow limited frame applications
- Tamper resistant removable cover
- $1/32''$  clearance between door and frame
- Available lengths: 83" and 95" HD



## FEATURES

- Available in full mortise and surface mount
- 6063 T6 Aluminum alloy, with interlocking extrusions
- Non-handed design
- 83" or 95" length
- Standard duty with 16 thrust type self-lubricating concealed bearings per hinge
- Heavy duty with 32 thrust type self-lubricating concealed bearings per hinge
- High degree of security
- Anodized Aluminum finish
- Through bolt and machine screws
- Templated hole patterns
- 10 year warranty
- Finishes: AL, DU

## OPTIONS

- Covers available - **TH1183-COV**

## REFERENCE CHART

Sizes	Global Door Controls	Roton	Select	Pemko
Standard Duty 83"	THI-1183CFM THI-1183 THI-1183FM2 THI-1183LF	780-112 780-210 780-224 780-157	SL11 SL21 SL24 SL57	FMSLF FS FM FSCP
Heavy Duty 83"	THI-1183CFMHD THI-1183HD THI-1183FM2HD THI-1183LFHD	780-112HD 780-210HD 780-224HD 780-157HD	SL11HD SL21HD SL24HD SL57HD	FMSLFHD FSHD FMHD FSCPHD
Standard Duty 95"	THI-1195 THI-1195FM2 THI-1195LF	780-210 780-224 780-157	SL21 SL24 SL57	FS FM FSCP
Heavy Duty 95"	THI-1195CFMHD THI-1195FM2HD THI-1195LFHD	780-112HD 780-224HD 780-157HD	SL11HD SL24HD SL57HD	FMSLFHD FMHD FSCPHD

# ACCESSORIES

**CP-RP**  
REINFORCING HINGE



- Handed: LH, RH
- Sold as each
- Finish: US26D

**CP4040-PIN**  
HINGE PIN DOOR CLOSER



- Sold as each
- Finish: US4

**DH-DS11-GY**  
RUBBER DOOR SILENCER





# STOREFRONT

---

**Offset Pivots**

Arch / Vistawall Style..... 67  
 Armalite Style..... 67  
 Pitco, PPG, EFCO, Tubelite Styles..... 68  
 US Aluminum Style..... 68  
 Aldora Style..... 68  
 Kawneer Style..... 69  
 YKK Style..... 69

**Intermediate Pivots**

Intermediate Pivots..... 70  
     Arch / Armalite Style  
     Kawneer Style

**Reinforcement Plates**

Reinforcement Plates..... 71

**Mortise Locks**

Mortise Locks..... 72  
 Mortise Lock Specifications..... 73

**Storefront**

Storefront..... 74  
     Push / Pull Paddle  
     Lever Handle

**Accessories**

Mortise Cylinders, Rings, and Strikes..... 75  
 Face Plates and Deluxe Hinge Kit..... 76  
 Flush Bolts and Pull Bars..... 77  
 Door Handing Chart..... 78

**STOREFRONT HARDWARE**

# OFFSET PIVOTS

Offset pivots are used for 1/8" recessed door applications. We stock replacement pivots for most major door manufacturers. Suitable for 83" aluminum doors weighing up to 125 pounds. Pivots are engineered and designed for durability, style, and are easy to install.



Non-Handed

**TH1109**  
ARCH/VISTAWALL STYLE



Handed

**TH11100C**  
OLD CASTLE STYLE



Handed

**TH1110**  
ARCH/VISTAWALL STYLE



Handed

**TH1112**  
ARMALITE STYLE

## FEATURES

- 3/4" offset pivots for aluminum door and frames
- For 1/8" recessed door applications
- Weather resistant
- Aluminum case construction
- 1/8" vertical adjustment
- Full race ball bearing design provides smooth operation on pivot door portion
- No sag, door rests on floor mounted pivot portion
- Completely tamper proof, yet easily removable, replaceable in unlocked position
- Finishes: AL, DU, WH (only TH1109, TH11100C)
- TH11100C: Door height is adjustable by bottom door portion
- Please refer to intermediate pivots for doors over 83" in height

# OFFSET PIVOTS

Offset pivots are used for 1/8" recessed door applications. We stock replacement pivots for most major door manufacturers. Suitable for 83" aluminum doors weighing up to 125 pounds. Pivots are engineered and designed for durability, style, and are easy to install.



Handed

**TH1114KM**  
PITCO, PPG, EFCO, TUBELITE STYLES



Handed

**TH1114U**  
US ALUMINUM STYLE



Handed

**TH1116**  
ALDORA STYLE

## FEATURES

- 3/4" offset pivots for aluminum door and frames
- For 1/8" recessed door applications
- Weather resistant
- Aluminum case construction
- 1/8" vertical adjustment
- Full race ball bearing design provides smooth operation on pivot door portion
- No sag, door rests on floor mounted pivot portion
- Completely tamper proof, yet easily removable, replaceable in unlocked position
- Finishes: AL, DU
- Please refer to intermediate pivots for doors over 83" in height

# OFFSET PIVOTS

## TH1118-T / TH1118-B KAWNEER STYLE TOP AND BOTTOM PIVOT



Non-handed  
Top Pivot

Handed  
Bottom Pivot

### FEATURES

- For 1/8" recessed door
- A380 precision Diecast Aluminum
- Oilite Bronze bushing in top frame portion
- Full race ball bearing bottom door portions
- Door height adjustable by bottom door portion
- Door weight: up to 125 pounds
- 1/8" Vertical adjustment
- Case hardened stud in floor/jamb portion
- Includes steel reinforcement plates for the door portions
- Top and bottom pivots sold separately
- Top pivot- Nonhanded
- Bottom pivot- Handed (must specify LH or RH)
- Finishes: AL, DU

## TH1300 YKK STYLE PIVOT



Handed

### FEATURES

- 1/8" recessed store front
- Diecast Aluminum
- Full race ball bearing and Oilite Bronze bushing
- Weather resistant
- Door weight: up to 125 pounds
- 1/8" Vertical adjustment
- No sag, door rests on floor mounted pivot
- Completely tamper proof
- Specify handing
- Finish: AL, DU

# INTERMEDIATE PIVOTS

Intermediate pivots are intended for doors taller than 83" that require additional support to keep the middle of the door in line with the pivots at the top and bottom. For use on both flush face frame installations and 1/8" recessed door applications. The pivots cannot be used on center hung doors. Suitable for aluminum doors weighing up to 125 pounds.



**TH1110-INT**  
INTERMEDIATE PIVOT



**TH1120**  
ARCH/ALMARLITE STYLE



**TH1190**  
INTERMEDIATE PIVOT



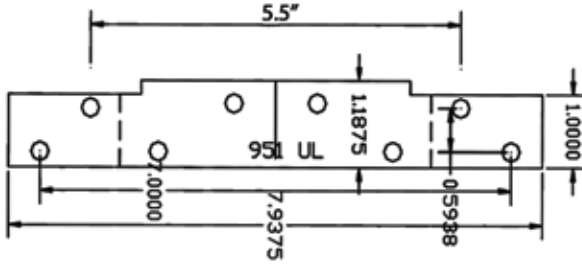
**TH1121**  
KAWNEER STYLE

## FEATURES

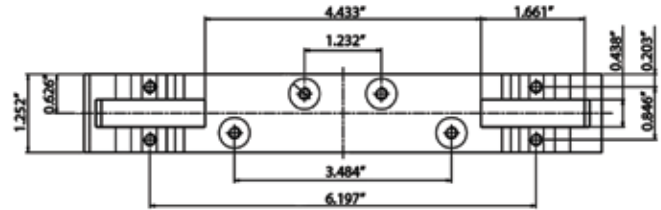
- 3/4" offset application
- Precision Aluminum Diecast
- Doors up to 90" in height should use one intermediate pivot. We recommend another intermediate pivot for each additional 30"
- Full race ball bearing and Oilite Bronze bushing
- Case hardened pin to jamb portion fully retractable for ease of installation on the TH1120 / TH1121 only
- Door thickness: 1 3/4"
- Easy vertical adjustment
- Finishes: AL, DU

# REINFORCEMENT PLATES

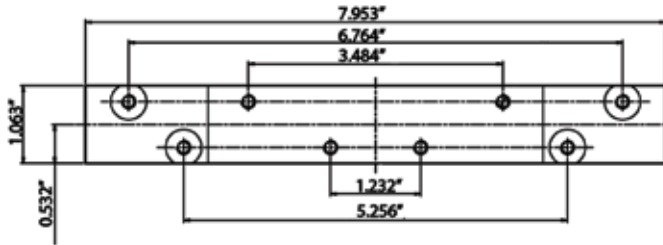
Reinforcement plates are designed to bring extra security and stability to the hinges on hollow metal and aluminum frames. Plates are intended to be used as a backing plate for 4½" standard butt hinges on most doors.



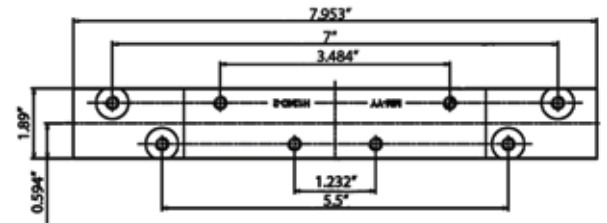
**TH1100-RP951-TUL**  
951 TUL MODEL



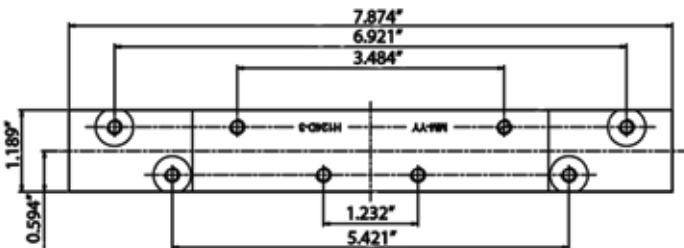
**TH1100-RP124-FZCP**  
951 A MODEL



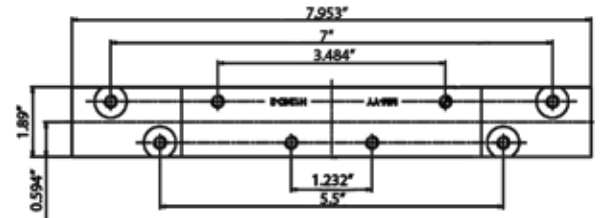
**TH1100-RP124D-DZCP**  
951 P MODEL



**TH1100-RP124D-2ZCP**  
951 U MODEL



**TH1100-RP124D-3ZCP**  
951 UJ MODEL



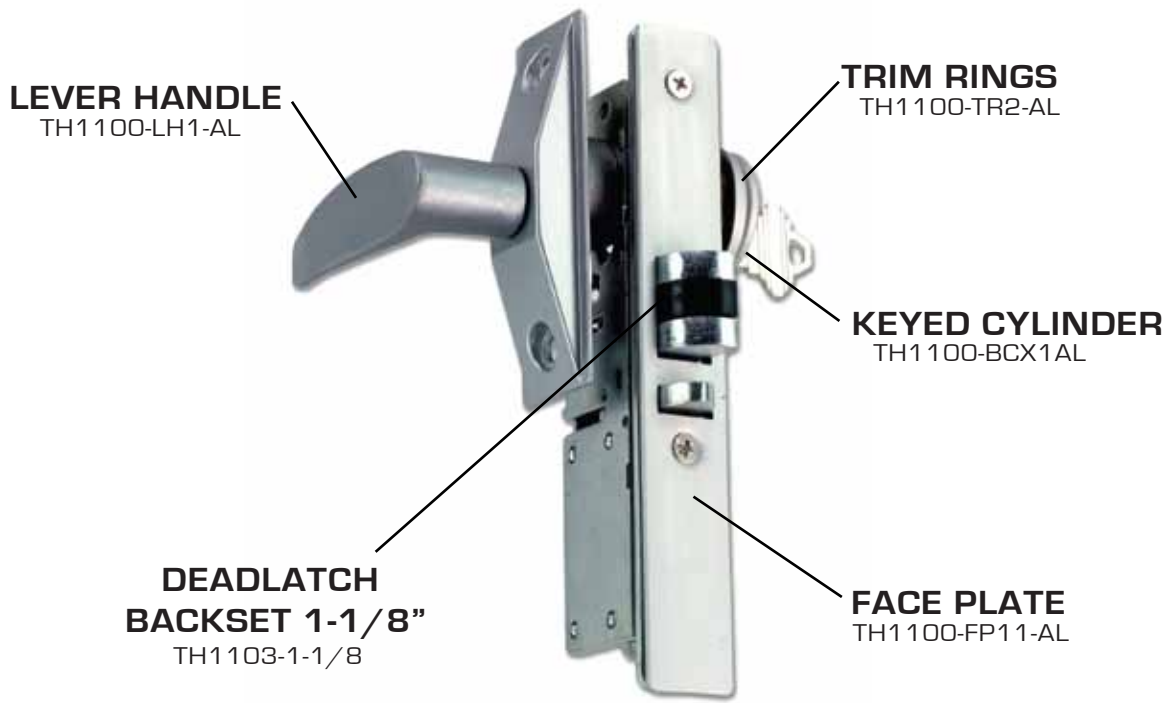
**TH1100-RP124D-4ZCP**  
951 TU MODEL

\*For aluminum doors only

## FEATURES

- Made from highest quality materials
- Functions as backing plate for butt hinge
- Decreases sag, increased rigidity
- Installation for hollow metal or aluminum commercial door applications.
- Plates 3/16" thick
- Sold individually
- Silver metallic finish

**ALL STOREFRONT HARDWARE STOCKED  
AND SOLD AS COMPONENTS.  
PLEASE SPECIFY WHEN ORDERING**



**FINISH: ALUMINUM**

**Lock Body:**

Deadbolt - TH1101  
Hookbolt - TH1102  
Deadlatch - TH1103  
Backsets -  $3\frac{1}{32}$ ", 1 $\frac{1}{8}$ " or 1 $\frac{1}{2}$ "

**Lock Accessories:**

Face plate - TH1100-FP  
Trim Rings - TH1100-TR  
Dummy cylinder - TH1100-DUM  
Strike - TH1100-ST1, ST2

**Activating Mechanism:**

Cylinder - TH1100-BC, ZC  
Thumbturn - TH1100-BT, ZT  
Push/Pull paddle - TH1100 - PUSH  
Lever handle - TH1100-LH1

**Finish:**

Aluminum - AL  
Duronotic - DU



# MORTISE LOCKS



**TH1101**  
Deadbolt

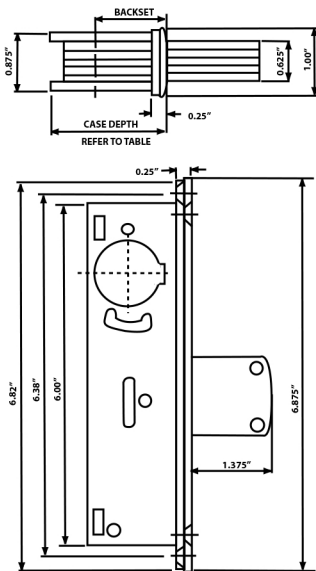


**TH1102**  
Hookbolt

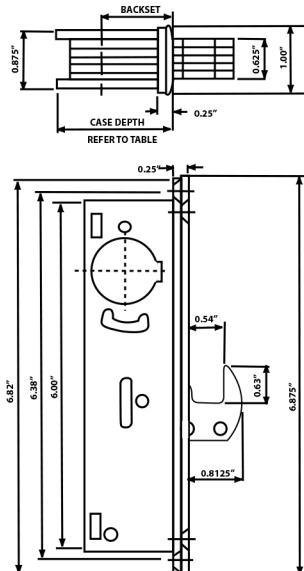


**TH1103 /**  
**TH1104 (Heavy Duty)**  
Deadlatch

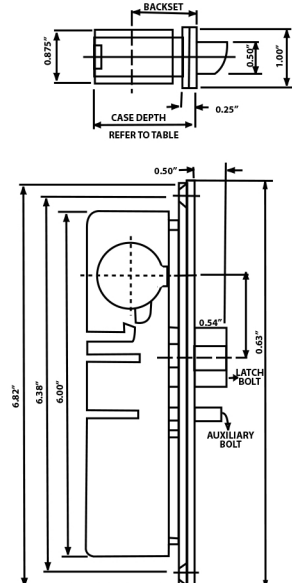
## Deadbolt



## Hookbolt



## Deadlatch




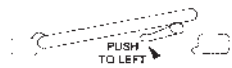


Function	Backset	Case Depth	Latchbolt
Deadbolt - TH1101	3/32", 1 1/8", 1 1/2"	1.62" on 3/32" backset 1.78" on 1 1/8" backset	5/8" x 2 7/8" with 1 3/8" throw
Hookbolt - TH1102	3/32", 1 1/8", 1 1/2"	1.62" on 3/32" backset 1.78" on 1 1/8" backset	5/8" x 1 3/8" with 1 3/16" throw
Deadlatch - TH1103	3/32", 1 1/8", 1 1/2"	1.63" - 1.76"	5/8" x 1" with 1/2" throw
HD Deadlatch - TH1104	3/32", 1 1/8"	1.63" - 1.76"	5/8" x 1" with 5/8" throw

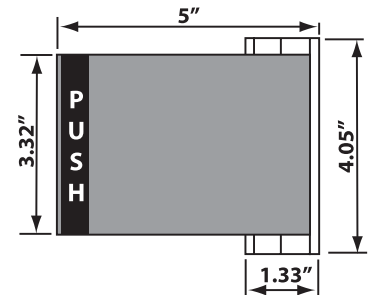
## FEATURES

- Three functions: Deadbolt, Hookbolt, Deadlatch
- Available backsets: 3/32", 1 1/8" or 1 1/2"
- Face plate: 1" w x 6 7/8" L; Aluminum construction
- Case dimensions: 7/8" w x 6" l x depth (see chart)
- Non-handed / reversible
- Deadlatches: Zinc Alloy latchbolt with Delrin plastic insert, auxiliary bolt Zinc Diecast, deadlocks latchbolt and prevents manipulation.
- Finishes: AL, DU

## TH1100-PUSH PUSH / PULL PADDLE

For use with the TH1103/TH1104 deadlatch mortise lock. Paddle is four way reversible. Handing can be reversed on cam plug by removing the C-clip, flipping the cam and reinstalling the C-clip.

Type	Operation	Use
PULL- left hand		Outside of left hand reverse door or inside of right hand
PUSH- left hand		Outside of left hand door or inside of right hand reverse.
PULL- right hand		Outside of right hand reverse door or inside of left hand.
PUSH- right hand		Outside of right hand door or inside of left hand reverse

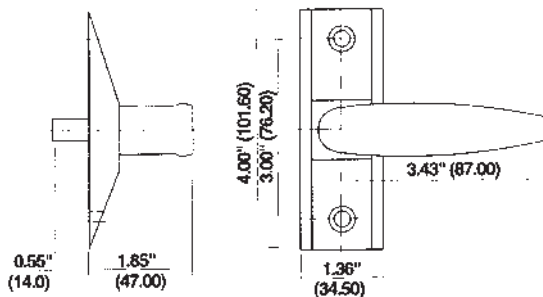


## FEATURES

- Extruded Aluminum Paddle
- Housing: Zinc Alloy, black powder coat finish
- Operating assembly: Steel mechanism
- Paddle reversible
- Standard packing: cam plug, paddle arm, operating housing, binder post, self adhesive decal, and mounting hardware
- Finishes: AL, DU

## TH1100-LH1 LEVER HANDLE

For use with the TH1103/TH1104 deadlatch mortise lock or any other brand of narrow stile mortise deadlatch. The lever handle is four way reversible. Handing can be reversed on cam plug by removing the C-clip and flipping the cam and reinstalling the C-clip.



## FEATURES

- Diecast Aluminum Lever
- Escutcheon: Aluminum 1 3/8" x 4", heavy duty spring mechanism prevents sagging of lever handle
- Spindle: Wrought Steel, 1/4" square hardened heat treated
- Non-handed / reversible
- Standard packing includes: Cam plug included, all mounting screws, templates, and installation instructions.
- Finishes: AL, DU



**TH1100-BC**  
**TH1100-ZC**  
Keyed Mortise Cylinder  
Brass or Zinc



**TH1100-BT**  
**TH1100-ZT**  
Thumbturn Mortise Cylinder  
Brass or Zinc



**TH1100-ZTO-AL**  
**TH1100-ZTO-DU**  
Oversized Mortise Thumbturn  
Zinc



**TH1100-DUM**  
Dummy Mortise Cylinder  
Zinc

## FEATURES

- Type: Mortise or Rim
- Key cylinders - 5 pin Schlage "C" keyway
- 1" length
- Comes with Adams Rite style cam
- TH1100-RC; Rim cylinder, flat cut to size tail piece - KD  
Packed with collar ring, mounting plate, 2 screws
- Key options specify when ordering:  
For TH1100-BC, ZC  
X1 - Keyed different  
X1KA - Single cylinder keyed alike  
X2 - Keyed alike in pairs
- Finishes: AL, DU

**TH1100-RC**  
Keyed Rim Cylinder  
Brass



## CAM OPTIONS



D Cam E Cam

**DL-CYLDCAM** D Cam  
**DL-CYLECAM** E Cam

\* Field install only

## Mortise Cylinders

Brass	BC
Zinc	ZC
Brass Thumbturn	BT
Zinc Thumbturn	ZT
Zinc Dummy	DUM
Zinc Thumbturn Oversized	ZTO

## CYLINDER RINGS

**TH1100-CG1**  
Cyl. Guard Anti-Wrench Collar  
AL or DU



**TH1100-TR1**  
Extruded Trim Ring 5/16"  
AL or DU



**TH1100-TR2**  
Stamped Trim Ring 5/16"  
AL or DU



**TH1100-ST**  
STRIKES

- Both strikes are for use with the TH1103 / TH1104 deadlatches
- Order double strike when converting a narrow stile lock to a deadlatch, to cover elongated slot in aluminum frame.

**TH1100-ST2**  
SINGLE STRIKE



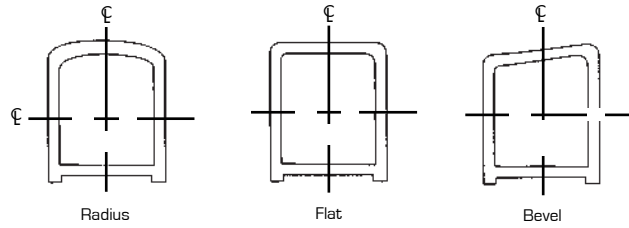
**TH1100-ST1**  
DOUBLE STRIKE



## TH1100-FP FACE PLATES



## Applicable Door Stiles



Specify face plate profile based on applicable door stile configuration

TH1100-FP1 (TH1101 Deadbolt)	TH1100-FP2 (TH1101 Deadbolt)	TH1100-FP3 (TH1101 Deadbolt)	TH1100-FP4 (TH1101 Deadbolt)	TH1100-FP5 (TH1101 Deadbolt)
TH1100-FP6 (TH1102 Hookbolt)	TH1100-FP7 (TH1102 Hookbolt)	TH1100-FP8 (TH1102 Hookbolt)	TH1100-FP9 (TH1102 Hookbolt)	TH1100-FP10 (TH1102 Hookbolt)
TH1100-FP11 (TH1103 Deadlatch)	TH1100-FP12 (TH1103 Deadlatch)	TH1100-FP13 (TH1103 Deadlatch)	TH1100-FP14 (TH1103 Deadlatch)	TH1100-FP15 (TH1103 Deadlatch)
<b>FLAT</b>	<b>L.H. BEVEL</b>	<b>R.H. BEVEL</b>	<b>RADIUS</b>	<b>RADIUS WITH WEATHERSTRIP</b>
				 LEFT HAND ONLY

Finishes: AL, DU

## TH1100-HK1 DELUXE HINGE KIT

Deluxe Hinge Kits are the ideal choice for when existing hardware fails. A quick and easy fix for any compromised door opening.

### FEATURES

- For commercial doors up to 500 lbs
- Non-handed / reversible
- Flush or 1/8" offset door applications
- Extruded Aluminum Alloy
- Self-lubricating pin rotates on anti-friction bearings
- Securely fastened with tamper proof screws
- Vertical adjustment screw
- Packed and sold in pairs
- 1 year warranty
- Finishes: AL, DU

#### Deluxe Hinge Kit comes with:

- (2) roto pin hinges
- (12) one-way screws
- (4) cover strips
- (1) Allen wrench
- (2) 1/8" shims
- (1) instruction sheet



## TH1100-FB

### FLUSH BOLTS

Mortise flush bolts are for use on commercial storefront, architectural aluminum and glass narrow stile doors.

Made for easy installation, replaces most brands of storefront flush bolts.

### FEATURES

- Spring loaded lever action
- Rod extension:  $\frac{7}{8}$ " throw
- Face dimensions:  $1\frac{5}{16}$ " x  $4\frac{1}{4}$ " with  $\frac{5}{32}$ " radius corner
- $\frac{1}{2}$ " nylon tip with beveled corners to prevent binding
- Supplied with nylon keeper and fasteners
- Finishes: AL, DU

Rod length and backset:

- TH1100-FB1: 10" long with  $\frac{1}{8}$ " backset (standard model)
- TH1100-FB2: 15" long with  $\frac{1}{8}$ " backset
- TH1100-FB3: 12" long with  $\frac{1}{4}$ " backset



## TH1100-OPB

### Offset Pull Bar



### FEATURES

- Push bar length: 33" CTC
- Pull bar height: 10" CTC
- Offset width:  $3\frac{1}{4}$ "
- Diameter: 1"
- Projection:  $2\frac{1}{2}$ "
- For Aluminum Storefront Doors
- Finishes: AL, DU

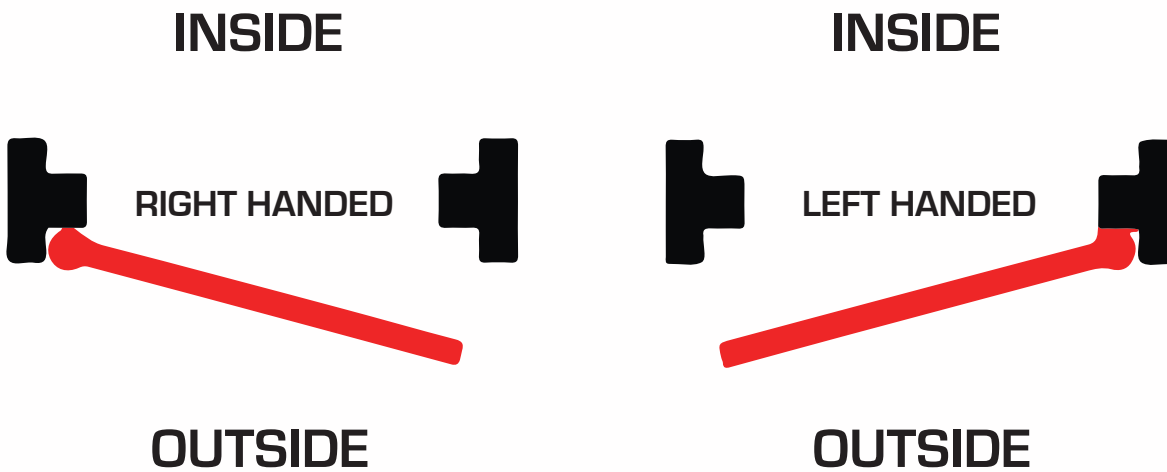
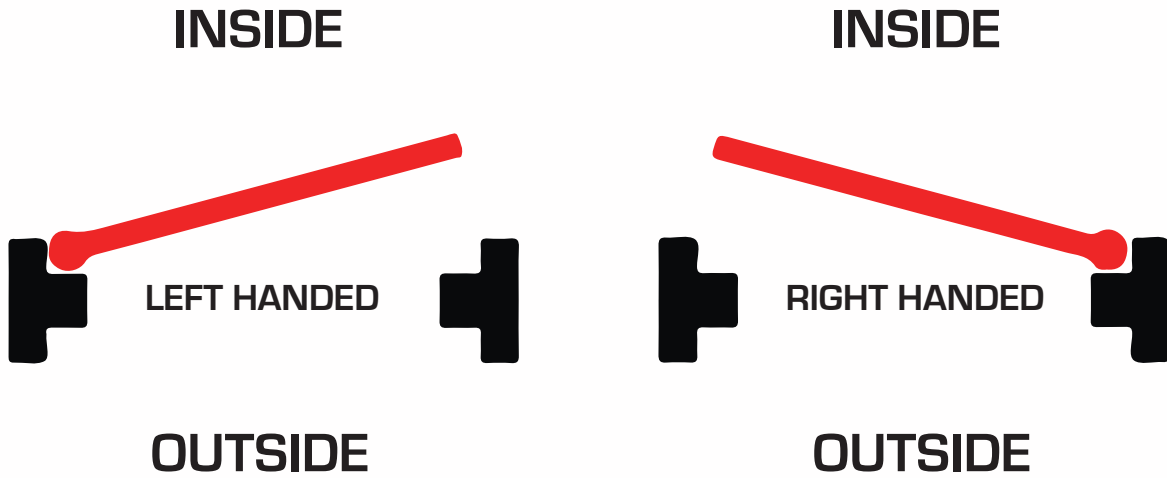


## TH1100-DPB

### Dual Pull Bar

### Back to Back

# DOOR HANDING



# **GENERAL** **HARDWARE**

**Security Bolts**

Security Bolts..... 81  
     Security Surface Bolts  
     Flush Bolts  
     Foot Bolts  
     Barrel Bolts

**Chains & Hasps**

Chains & Hasps..... 82  
     Chain Guards  
     Safety Hasps

**Door Hardware**

Door Reinforcers..... 83  
 Latch Guards..... 83  
 Door Viewers..... 83  
 Door Stops..... 84  
 Door Holders..... 84  
 Mail Slots..... 84  
 Push / Pull Plates..... 85  
 Kickplates..... 85  
 Tee Handles..... 85  
 Door Pulls..... 85

**Builders Hardware**

Builders Hardware..... 86  
     Ball Catches & Roller Latches  
     Magnetic Catches  
     Wire Pulls

**ADA Signage**

ABS Plastic ADA Signs..... 87



## SECURITY SURFACE BOLTS



### GH-UL831

- Concealed mounting
- Tamper proof
- 8" Long
- 1" throw, 1 $\frac{1}{8}$ " projection
- Finishes: US26D



### GH-UL453

- Surface mounting
- Tamper proof
- 8" Long
- 1 $\frac{1}{16}$ " throw, 1 $\frac{1}{8}$ " projection
- Finishes: US26D



### GH-ULSB197 FLUSH BOLTS

- **GH-ULSB197:** Heavy Duty
- **GH-197:** Extruded Aluminum
- Non-handed
- $\frac{5}{8}$ " throw with  $\frac{7}{8}$ " vertical adjustment
- 12" rod to fit ANSI prep.
- Spring loaded lever
- $\frac{1}{2}$ " dia. Brass bolts
- Finishes: US3, US26, US26D



### GH-1057 FOOT BOLTS

- Foot bolt 6"
- Operated by pressure of foot on cap
- Released by pressure on tip
- Packaged with screws and strike
- Finishes: ZP

### GH-835SE SECURITY BOLTS

- Steel security bolt
- Heavy duty
- Durable Silver Epoxy finish
- 9" with 1 $\frac{1}{2}$ " projection
- Surface application
- Polybagged with fasteners
- Finishes: AL



### GH-832BB BARREL BOLTS

- 5" and 8" available
- Locking and padlockable bolt
- Extra heavy duty
- Rust resistant
- Heavy Zinc Plated bolt,  $\frac{9}{16}$ " dia.
- Polybagged with fasteners
- Finishes: GV



## CHAIN GUARDS

### GH-1631

- Adjustable 20" - 30½"
- Adjusting link included
- Heavy duty commercial
- Cast Brass mounting plates
- 2 compression springs
- Vinyl cover
- Finishes: DU, US26D



GH-1631

### GH-DX3700

- Single spring
- Residential
- Packed with fasteners
- Finishes: ZP



GH-DX3700

## SAFETY HASPS



### GH-CD575

- Single flexible
- Safety hasp
- 6¼"
- ZP



### GH-CD577

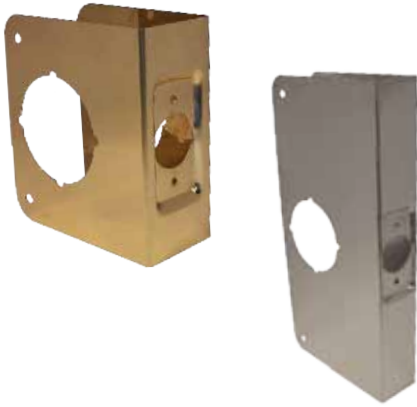
- Double flexible
- Safety hasp
- 7¾"
- ZP



### GH-600XHH75

- Garage and utility door
- Extra heavy duty safety hasp
- 7½"
- ZP

## DOOR REINFORCERS



MODEL NUMBER	SIZE	BACKSET	DOOR THICKNESS	FINISHES
<b>4" Door Reinforcer</b>				
GH-DRDB101	4½"	2 ¾"	1 ¾"	US3, US32D
GH-DRDB102	4½"	2 ¾"	1 ¾"	US3, US32D
GH-DRDB103	4½"	2 ¾"	1 ¾"	US3, US32D
<b>9" Door Reinforcer</b>				
GH-DRLK104	9"	2 ¾"	1 ¾"	US3, US32D
GH-DRLK105	9"	2 ¾"	1 ¾"	US3, US32D
GH-DRLK106	9"	2 ¾"	1 ¾"	US3, US32D

## LATCH GUARDS



### GH-LG109

- Fits hollow metal or wood doors
- Non-handed / reversible
- Protects cylindrical, mortise locks and guards latch bolt
- Mounts to door with heavy duty sex bolts
- Finishes: US26D



### GH-LG111

- Fits narrow stile aluminum doors
- Non-handed / reversible
- Tamper proof
- Mounts to door with heavy duty sex bolts
- Finishes: AL, DU

## DOOR VIEWERS

Door viewers are made with safety and durability in mind. Solid Brass with highly polished optic lenses for extra wide viewing angles.

### Specifications

- For 1¾" thick wood or metal doors
- Solid Brass
- UL Listed R13709 Fire rated (glass lenses)
- Finishes: see below



UL R13709

### **GH-UL3300**

½" bore 190' viewing (US3, US26)



### **GH-SB190**

9/16" bore 190' viewing (US3, US26D)



UL R13709

### **GH-UL3315**

1 ¼" bore 200' viewing (US3, US26D)



### **GH-DV1825**

1 ¼" bore 180' viewing US26D only

## GH-DCV01 / GH-DXDCV01 DOOR CHIME VIEWERS

### Specifications

- For doors 1⅛" - 2" thick
- Available in deluxe: **GH-DXDCV01**
- Two-tone chime
- 180° viewing angle
- Finishes: US3, US26D



## DOOR STOPS CAST BRASS AND SOLID BRASS

### FLOOR MOUNTED DOOR STOPS

- Wrought Steel and Cast Brass
- Bumpers constructed from Durable Rubber
- Ideal for commercial applications
- Screw packs included
- Finishes: US3, US26D



**TH1100-UDS**  
Universal  
Door Stop



**GH-DS436**  
Low Dome  
Door Stop



**GH-DS438**  
High Dome  
Door Stop



**GH-DS401**  
Concave  
Wall Stop



**GH-DS406**  
Convex  
Wall Stop

### WALL MOUNTED DOOR STOPS

- Wrought Steel and Cast Brass
- Bumpers constructed from Durable Rubber
- Screw packs included
- GH-DS406, TH1100-UDS, DS3918: Available in US26D only
- Finishes: US3, US26D

**GH-DS3918**  
Rigid Door Stop



## DOOR HOLDERS DROP DOWN & STEP ON

- **GH-135:** 4" Zinc Alloy door holder
- **GH-1135:** 5" Zinc Alloy door holder
- **GH-235:** 4" Solid Brass door holder
- **GH-1235:** 5" Solid Brass door holder
- **GH-380:** 5" Zinc Alloy door holder
- **GH-6015:** 8" Step on door holder (AL, DU, US4)
- Durable Rubber tips
- Polybagged with sheet metal screws
- Finishes: US3, US4, US26D, DU
- Replacement tips available:  
**GH-TIP235-BK:** tip for 234/1235  
**GH-TIP6015-BK:** tip for 6015



**GH-235 / 1235**  
**GH-380**



**GH-135 / 1135**



**GH-6015**

## MAIL SLOTS



### Exterior Spring Mounting

- Interlocking flap and frame
- Screw packs included
- **GH-HD390:** Letter slot 3" x 10"
- **GH-HD490:** Magazine slot 3½" x 13"
- Sleeve not included
- Finishes: US3, US5, US26D

### Interior Gravity Mounting

- Gravity flap with ¼" air vent
- Screw packs included
- **GH-HD395:** Letter slot 3" x 10"
- **GH-HD495:** Magazine slot 3½" x 13"
- Sleeve not included
- Finishes: US3, US5, US26D

### Interior Trim Plate

- **GH-HD398:** Letter slot 3" x 10"
- **GH-HD498:** Magazine slot 3½" x 13"
- Sleeve not included
- Finishes: US3, US5, US26D

\*When ordering Exterior Spring slot, you must order either Interior Gravity Mounting or Trim Plate for complete set.

## PULL PLATES

- Conforms to ANSI J405 and A117.1
- Aluminum, Solid Brass or Stainless Steel
- Classic and round pulls
- 16 gauge (.050") thick
- Mounting screws for 1¾" thick door
- Packed with sheet metal screws
- Finishes: AL, US3, US32D

**GH-PP5310** 3½" X 15" with classic pull

**GH-PP5425** 4" X 16" with round pull

**GH-PP5325** 3½" X 15" with round pull



Meets ADA requirements



## PUSH PLATES

- Conforms to ANSI J301 and A117.1
- Aluminum, Solid Brass or Stainless Steel
- Mounting screws for 1¾" thick door
- Packed with sheet metal screws
- Finishes: AL, US3, US32D

**GH-PP53** 3½" X 15"

**GH-PP54** 4" X 16"



Meets ADA requirements



## KICK PLATES

### COMMERCIAL

- Conforms to ANSI J102 and ANSI A117.1 for ADA barrier-free accessibility
- Aluminum, Solid Brass or Stainless Steel
- 16 gauge (.050") thick
- Kick plates not bevelled
- Other sizes, finishes, and beveling special order only
- Packed with sheet metal screws
- US3 on aluminum available (BT-AL)
- Finishes: AL - Aluminum  
BT-AL - US3 Brass Plated Aluminum  
US3 - Solid Brass  
US32D - Stainless Steel



**GH-KP834** 8" x 34"

**GH-KP1034** 10" x 34"



Meets ADA requirements

## TEE HANDLES

- Polished Chrome Diecast handle
- Heavy duty
- 4" spindle, 5/16" square
- Non-handed / reversible
- 90 degree turn to unlock
- Available: KA, KD
- Packaged with 2 keys
- Finishes: US26



**GH-960**

## DOOR PULLS

- Heavy Cast Aluminum door pull
- 7 ½" x 2" overall size
- 4 7/8" center to center
- 2 ¼" projection
- Finishes: AL, DU



**GH-P531**

## BALL CATCHES / ROLLER LATCHES



### GH-2945

- Drive in ball catch
- Maximum roller projection:  $\frac{5}{16}$ "
- Latch:  $1\frac{3}{8}$ "
- Diameter: 1"
- Strike dimensions:  $1\frac{3}{8}$ " x  $2\frac{1}{4}$ "
- Finishes: US3



### GH-2950

- Mortise ball catch
- Maximum roller projection:  $\frac{5}{16}$ "
- Latch:  $1\frac{3}{8}$ "
- Diameter:  $\frac{7}{8}$ "
- Strike dimensions:  $1\frac{3}{8}$ " x  $2\frac{1}{4}$ "
- Polybagged with screws
- Finishes: US3



### GH-2955

- Roller latch
- Maximum roller projection:  $\frac{5}{16}$ "
- Latch face: 1" x  $1\frac{3}{8}$ "
- Strike dimensions: 2" x  $1\frac{3}{8}$ "
- Polybagged with screws
- Finishes: US3, US26

## MAGNETIC CATCH

- Magnetic catch and strike
- Solid Aluminum housing
- Size:  $4\frac{1}{8}$ " L x  $\frac{3}{4}$ " H
- Holding power up to 35 lbs
- Can be used for double door installation
- Polybagged with screws
- Finishes: AL



### GH-CH2935

## WIRE PULLS

- 4" wire pulls
- Aluminum
- $\frac{5}{16}$ " diameter
- For cabinet doors  $\frac{3}{4}$ " -  $1\frac{3}{8}$ " thick
- Packed with machine screws
- Finishes: AL, US26D



### GH-CH44840

## FEATURES

- ADA compliant
- Non-glossy surface with raised symbols, letter and Braille
- 8" x 8" Pictogram
- 3/16" thick polystyrene - ABS with UV stabilizer to avoid fading
- 5/8" raised lettering
- Finishes: Blue, Black



**GH-S441**  
Men



**GH-S440**  
Women



**GH-S442**  
Family Restroom



**GH-EXIT**  
Exit



**GH-S445**  
Men Handicap



**GH-S443**  
Women Handicap



**GH-S444**  
Family Handicap



## Complete ANSI / BHMA Numbers for Materials & Finishes

<u>Finish Code Numbers</u>				<u>Finish Code Numbers</u>			
Code	Description	Base Material	Nearest Former U.S. Equivalent	Code	Description	Base Material	Nearest/ Former U.S. Equivalent
600	Primed For Painting	Steel	USP	650	Dark Oxidized Statuary Bronze Plated, Clear Coated	Steel	US20A
601	Bright Japanned	Steel	US1B	651	Bright Chromium Plated	Steel	US26
603	Zinc Plated	Steel	US2G	652	Satin Chromium Plated	Steel	US26D
604	Zinc Plated And Dichromate Sealed	Steel		653	Bright Stainless Steel	Stainless Steel	
605	Bright Brass, Clear Coated	Brass	US3			400 Series	
606	Satin Brass, Clear Coated	Brass	US4	654	Satin Stainless Steel	Stainless Steel	
607	Oxidized Satin Brass, Oil Rubbed	Brass				400 Series	
608	Oxidized Satin Brass, Relieved, Clear Coated	Brass		655	Light Oxidized Satin Bronze Bright Relieved, Clear Coated	Bronze	US13
609	Satin Brass, Blackened, Satin Relieved, Clear Coated	Brass	US5	656	Light Oxidized Satin Bronze Plated, Bright Relieved, Clear	Steel	US13
610	Satin Brass, Blackened, Bright Relieved, Clear Coated	Brass	US7	657	Dark Oxidized Copper Plated, Satin Relieved, Clear Coated	Steel	
611	Bright Bronze, Clear Coated	Bronze	US9	658	Dark Oxidized Copper Plated, Bright Relieved, Clear Coated	Steel	
612	Satin Bronze, Clear Coated	Bronze	US10	659	Light Oxidized Copper Plated, Satin Relieved, Clear Coated	Steel	
613	Dark Oxidized Satin Bronze, Oil Rubbed	Bronze	US10B	660	Light Oxidized Copper Plated Bright Relieved, Clear Coated	Steel	
614	Oxidized Satin Bronze, Relieved, Clear Coated	Bronze		661	Oxidized Satin Copper, Relieved, Clear Coated	Steel	
615	Oxidized Satin Bronze, Relieved, Waxed	Bronze		662	Satin Brass Plated, Browned, Satin Relieved, Clear Coated	Steel	
616	Satin Bronze, Blackened, Satin Relieved, Clear Coated	Bronze	US11	663	Zinc Plated With Clear Chromate Seal	Steel	
617	Darkened Oxidized Satin Bronze, Bright Relieved, Clear Coated	Bronze	US13	664	Cadmium Plated With Clear Chromate Seal	Steel	
618	Bright Nickel Plated, Clear Coated	Brass, Bronze	US14	665	Cadmium Plated With Iridescent Dichromate	Steel	
619	Satin Nickel Plated, Clear Coated	Brass, Bronze	US15	666	Bright Brass Plated, Clear Coated	Aluminum	US3
620	Satin Nickel Plated, Blackened, Satin Relieved, Clear Coated	Brass, Bronze	US15A	667	Satin Brass Plated, Clear Coated	Aluminum	US4
621	Nickel Plated, Blackened, Relieved, Clear Coated	Brass, Bronze	US17A	668	Satin Bronze Plated, Clear Coated	Aluminum	US10
622	Flat Black Coated	Brass, Bronze	US19	669	Bright Nickel Plated	Aluminum	US14
623	Light Oxidized Statuary Bronze, Clear Coated	Bronze	US20	670	Satin Nickel Plated	Aluminum	US15
624	Dark Oxidized Statuary Bronze, Clear Coated	Bronze	US20A	671	Flat Black Coated	Aluminum	US19
625	Bright Chromium Plated	Brass, Bronze	US26	672	Bright Chromium Plated	Aluminum	US26
626	Satin Chromium Plated	Brass, Bronze	US26D	673	Aluminum Clear Coated	Aluminum	
627	Satin Aluminum, Clear Coated	Aluminum	US27	674	Primed For Painting	Zinc	USP
628	Satin Aluminum, Clear Anodized	Aluminum	US28	675	Dichromate Sealed	Zinc	
629	Bright Stainless Steel	Stainless Steel		676	Flat Black Coated	Zinc	US19
		300 Series	US32	677	Bright Brass Plated, Clear Coated	Zinc	US3
630	Satin Stainless Steel	Stainless Steel		678	Satin Brass Plated, Clear Coated	Zinc	US4
		300 Series	US32D	679	Bright Bronze Plated, Clear Coated	Zinc	US9
631	Flat Black Booted	Steel	US19	680	Satin Bronze Plated, Clear Coated	Zinc	US10
632	Bright Brass Plated, Clear Coated	Steel	US3	681	Bright Chromium Plated	Zinc	US26
633	Satin Brass Plated, Clear Coated	Steel	US4	682	Satin Chromium Plated	Zinc	US26D
634	Oxidized Satin Brass Oil Rubbed	Steel		683	Oxidized Satin Brass Plated, Oil Rubbed	Zinc	
635	Oxidized Satin Brass Plated, Relieved, Clear Coated	Steel		684	Black Chrome, Bright Brass, Bronze		
636	Satin Brass Plated, Blackened, Bright Relieved, Clear Coated	Steel	US7	685	Black Chrome, Satin	Brass, Bronze	
637	Bright Bronze Plated, Clear Coated	Steel	US9	686	Black Chrome, Bright	Steel	
638	Satin Brass Plated, Blackened, Satin Relieved Clear Coated	Steel	USS	687	Black Chrome, Satin	Steel	
639	Satin Bronze Plated, Clear Coated	Steel	US10	688	Satin Aluminum, Gold Anodized	Aluminum	US4
640	Oxidized Satin Bronze Plated Over Copper Plate, Oil Rubbed	Steel	US10B	689	Aluminum Painted	Any	US28
641	Oxidized Satin Bronze Plated, Relieved, Clear Coated	Steel		690	Dark Bronze Painted	Any	US20
642	Oxidized Satin Bronze Plated, Relieved, Waxed	Steel		691	Light Bronze Painted	Any	US10
643	Satin Bronze Plated, Blackened, Satin Relieved, Clear Coated	Steel	US11	692	Tan Painted	Any	
644	Dark Oxidized Satin Bronze Plated, Bright Relieved, Clear	Steel	US13	693	Black Painted	Any	(Black Aluminum Hard Coat)
645	Bright Nickel Plated, Clear Coated	Steel	US14	694	Medium Bronze Painted	Any	(Bronze Aluminum Hard Coat)
646	Satin Nickel Plated, Clear Coated	Steel	US15	695	Dark Bronze Painted	Any	(Dark Bronze Aluminum Hard Coat)
647	Satin Nickel Plated, Blackened Satin Relieved, Clear Coated	Steel	US15A	696	Satin Bronze Painted	Any	US4
648	Nickel Plated, Blackened Relieved, Clear Coated	Steel	US11 7A	697	Bright Brass Plated, Clear Coated	Plastic	US3
649	Light Oxidized Bright Bronze Plated, Clear Coated	Steel	US20	698	Satin Brass Plated, Clear Coated	Plastic	US4
				697	Satin Bronze Plated, Clear Coated	Plastic	US10
				700	Bright Chromium Plated	Plastic	US26
				701	Satin Chromium Plated	Plastic	US26D
				702	Satin Chromium Plated	Aluminum	US26D
				703	Oxidized Satin Bronze Plated, Oil Rubbed	Aluminum	US10D
				704	Oxidized Satin Bronze Plated, Oil Rubbed	Zinc	US10B





---

## WAREHOUSE LOCATIONS

**5808 Long Creek Park Drive Suite A Charlotte, NC 28269**

---

Phone # 1-800-256-7377

Fax# 1-800-376-6536

[www.impusa.com](http://www.impusa.com)