



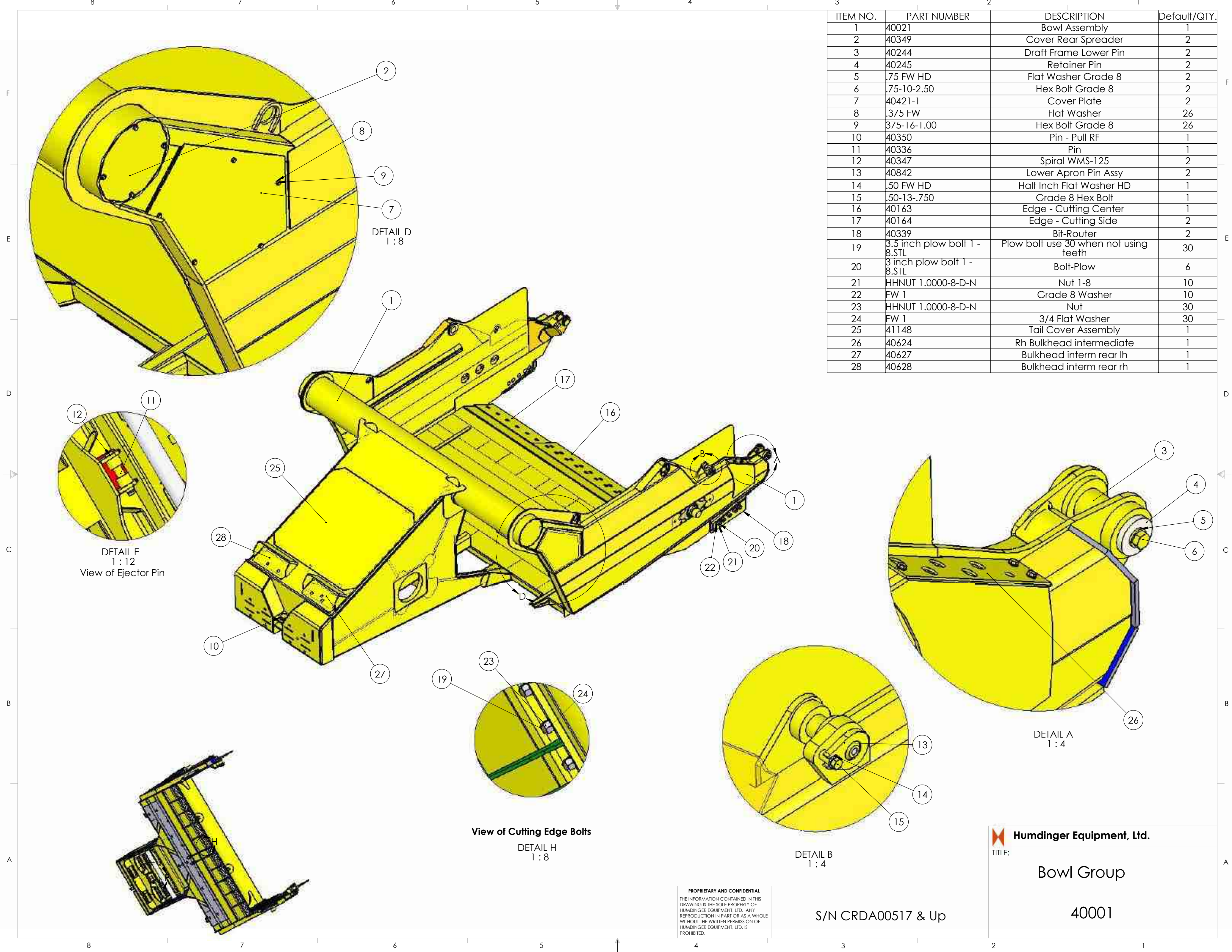
# **Parts Book**

**619 G**

**SERIAL NUMBERS**

**CRDA00529 & Up**

**Version 4-08**



DETAIL D  
1:8

DETAIL E  
1:12  
View of Ejector Pin

View of Cutting Edge Bolts  
DETAIL H  
1:8

DETAIL B  
1:4

DETAIL A  
1:4

ITEM NO.	PART NUMBER	DESCRIPTION	Default/QTY.
1	40021	Bowl Assembly	1
2	40349	Cover Rear Spreader	2
3	40244	Draft Frame Lower Pin	2
4	40245	Retainer Pin	2
5	.75 FW HD	Flat Washer Grade 8	2
6	.75-10-2.50	Hex Bolt Grade 8	2
7	40421-1	Cover Plate	2
8	.375 FW	Flat Washer	26
9	375-16-1.00	Hex Bolt Grade 8	26
10	40350	Pin - Pull RF	1
11	40336	Pin	1
12	40347	Spiral WMS-125	2
13	40842	Lower Apron Pin Assy	2
14	.50 FW HD	Half Inch Flat Washer HD	1
15	.50-13-.750	Grade 8 Hex Bolt	1
16	40163	Edge - Cutting Center	1
17	40164	Edge - Cutting Side	2
18	40339	Bit-Router	2
19	3.5 inch plow bolt 1 - 8.STL	Plow bolt use 30 when not using teeth	30
20	3 inch plow bolt 1 - 8.STL	Bolt-Plow	6
21	HHNUT 1.0000-8-D-N	Nut 1-8	10
22	FW 1	Grade 8 Washer	10
23	HHNUT 1.0000-8-D-N	Nut	30
24	FW 1	3/4 Flat Washer	30
25	41148	Tail Cover Assembly	1
26	40624	Rh Bulkhead intermediate	1
27	40627	Bulkhead interm rear lh	1
28	40628	Bulkhead interm rear rh	1

Humdinger Equipment, Ltd.

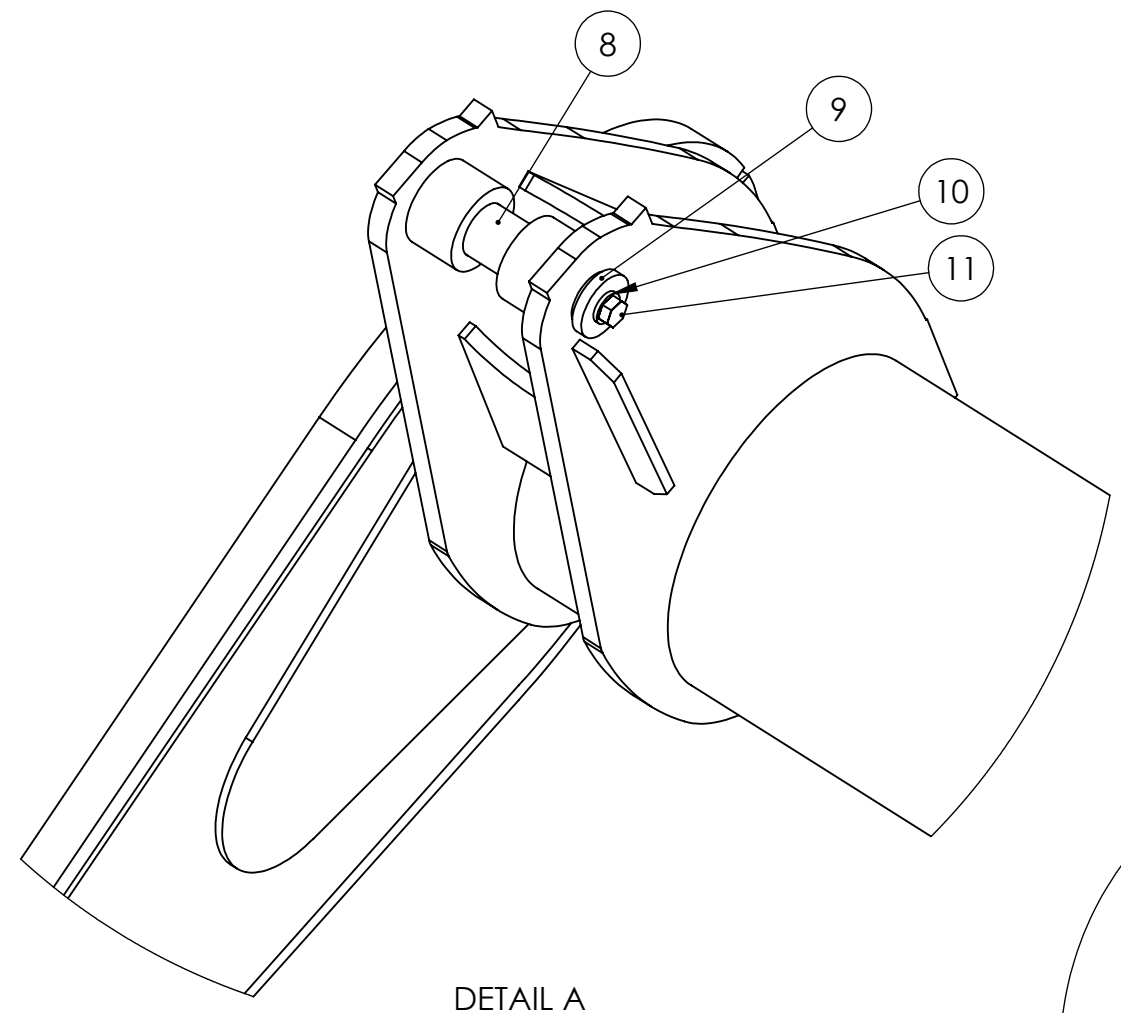
TITLE:  
Bowl Group

S/N CRDA00517 & Up

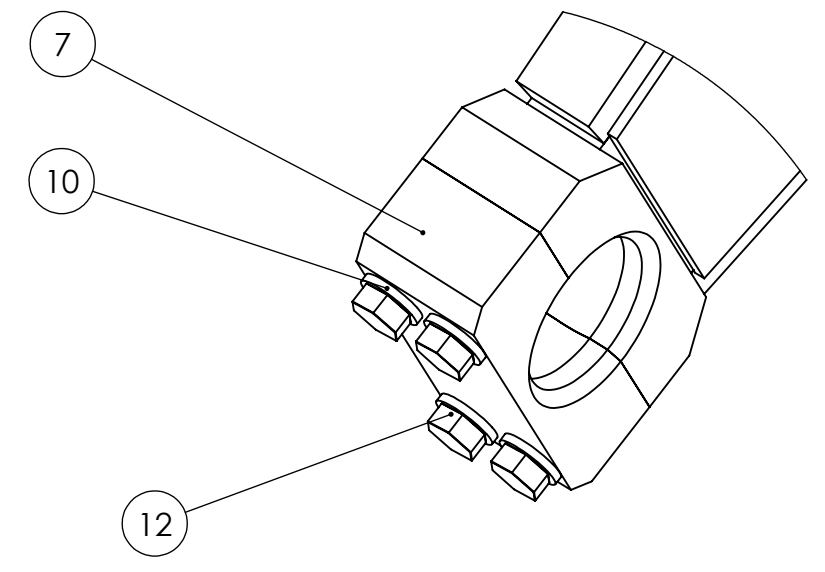
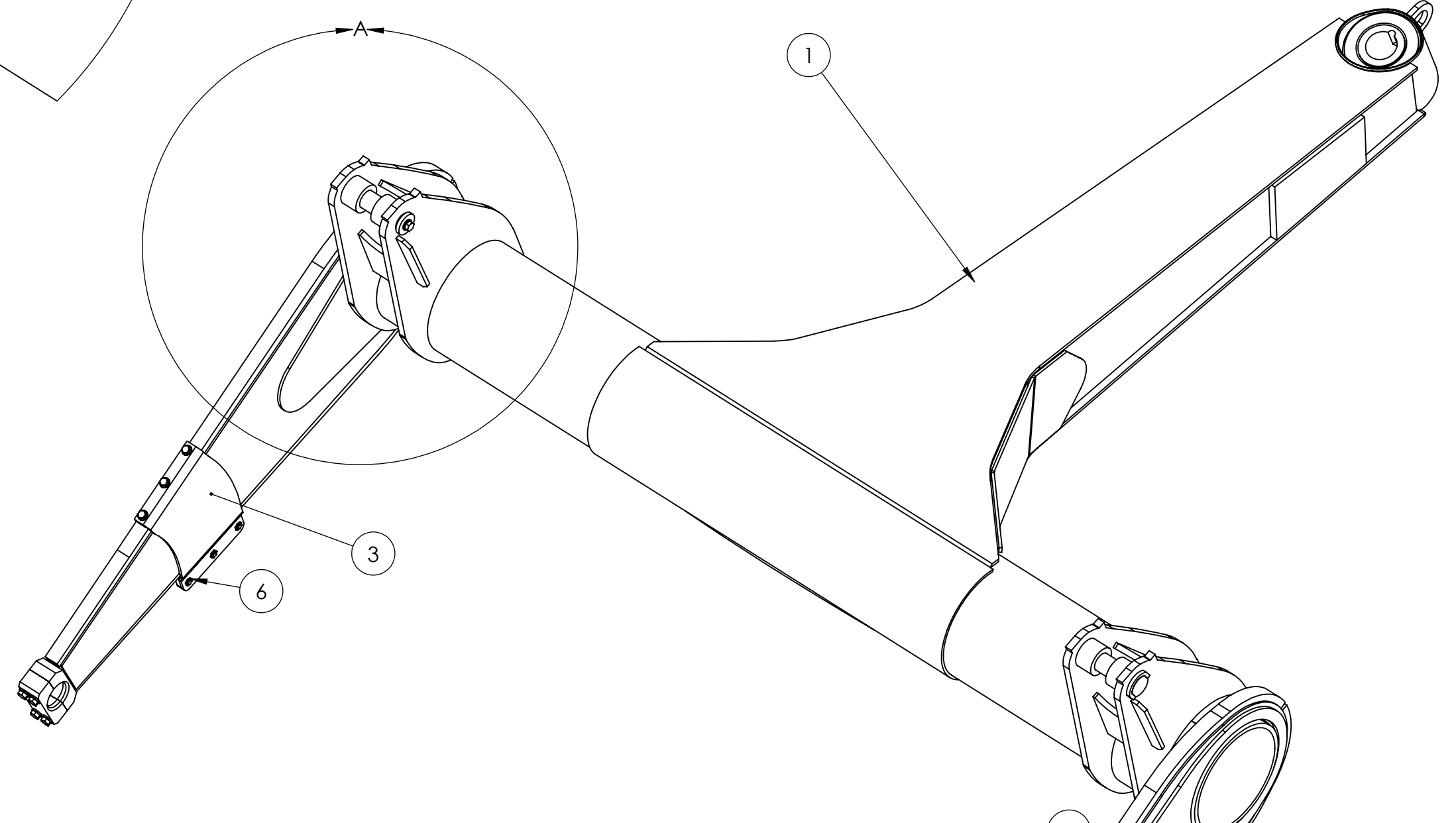
40001

**PROPRIETARY AND CONFIDENTIAL**  
THE INFORMATION CONTAINED IN THIS DRAWING IS THE SOLE PROPERTY OF HUMDINGER EQUIPMENT, LTD. ANY REPRODUCTION IN PART OR AS A WHOLE WITHOUT THE WRITTEN PERMISSION OF HUMDINGER EQUIPMENT, LTD. IS PROHIBITED.

ITEM NO.	PART NUMBER	DESCRIPTION	QTY.
1	40918	Draft Frame As.--High Tube	1
2	41512	Wear Pad--RHS	1
3	41516	Wear Pad LHS	1
4	.625 FWN	Flat Washer Grade 8	12
5	.625-11-1.50	Hex Bolt Grade 8	12
6	.625-11 Nut	Hex Nut Grade 8	6
7	40171	Trunnion Cap	2
8	40243	Draft Frame Upper Pin	2
9	40245	Retainer Pin	2
10	.75 FW HD	Flat Washer Grade 8	10
11	.75-10-3.00	Hex Bolt Grade 8	2
12	.75-10-3.50	Hex Bolt Grade 8	8



DETAIL A  
1:8



DETAIL B  
1:4

PROPRIETARY AND CONFIDENTIAL  
THE INFORMATION CONTAINED IN THIS  
DRAWING IS THE SOLE PROPERTY OF  
HUMDINGER EQUIPMENT, LTD. ANY  
REPRODUCTION IN PART OR AS A WHOLE  
WITHOUT THE WRITTEN PERMISSION OF  
HUMDINGER EQUIPMENT, LTD. IS  
PROHIBITED.

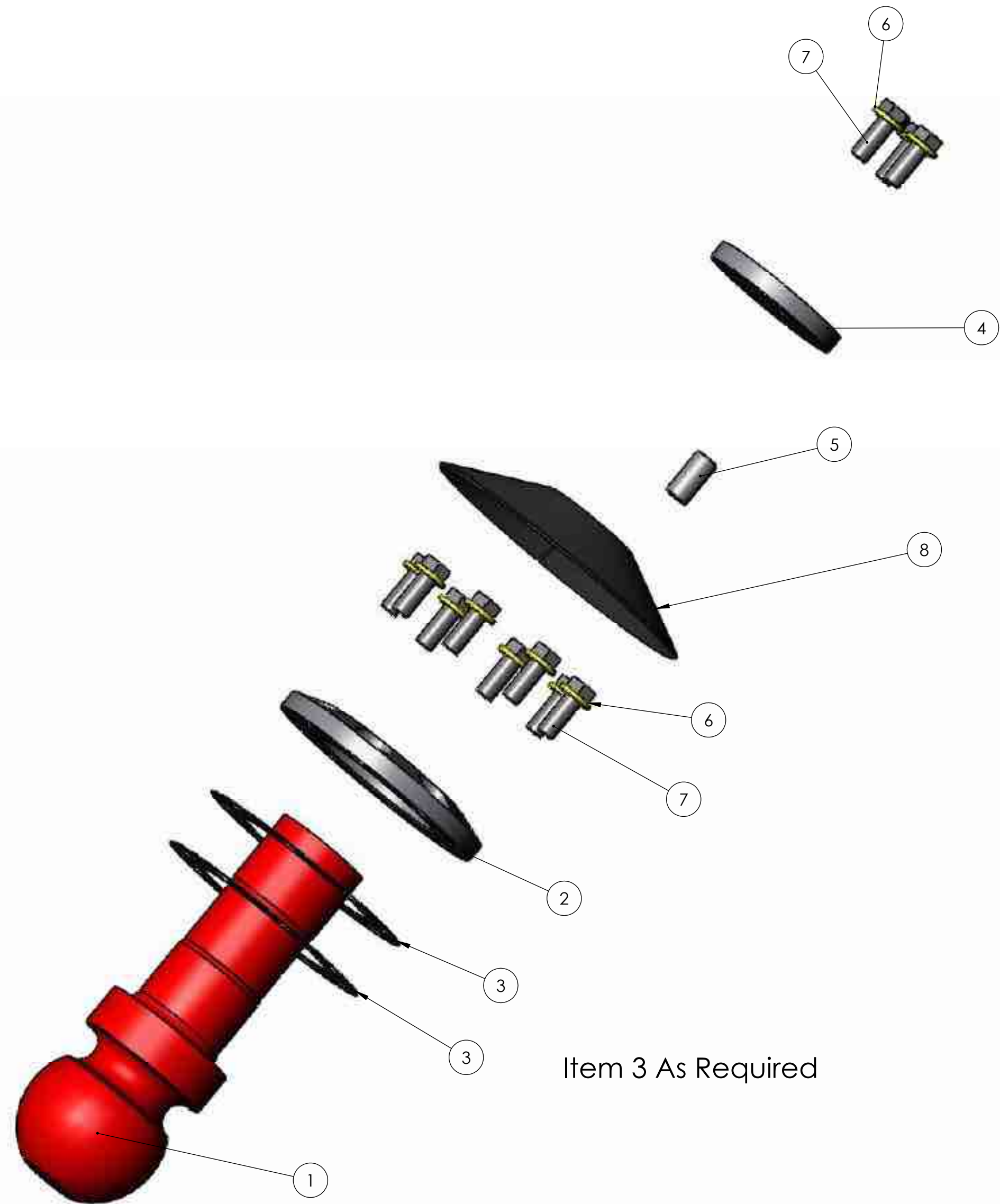
S/N CRDA00517 & Up

Humdinger Equipment, Ltd.

TITLE:  
Draft Frame Group

41762 PB

ITEM NO.	PART NUMBER	DESCRIPTION	QTY.
1	41520	Hitch Ball--Tall	1
2	40032	Retainer Ring - Hitch	1
3	40801	Hitch Receiver Shim	2
4	40034	Retainer DF Nose	1
5	40500	Retainer-Hitch Ball	1
6	.75 FW HD	Flat Washer Grade 8	11
7	.75-10-2.00	Hex Bolt Grade 8	11
8	41476	Cover--Hitch Ball	1



Item 3 As Required

 **Humdinger Equipment, Ltd.**

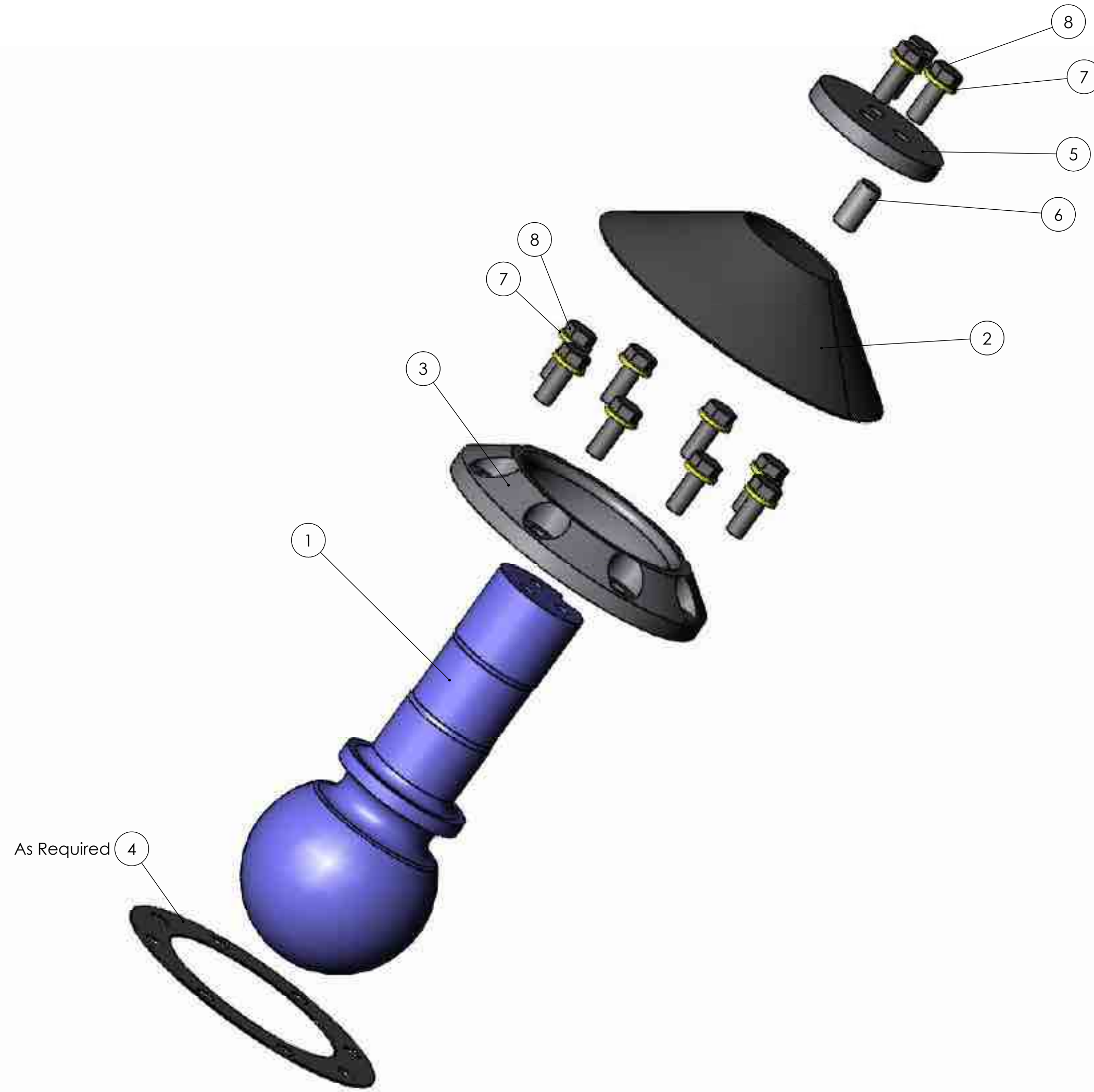
TITLE:  
6 Inch Hitch Ball Group

**PROPRIETARY AND CONFIDENTIAL**  
THE INFORMATION CONTAINED IN THIS DRAWING IS THE SOLE PROPERTY OF HUMDINGER EQUIPMENT, LTD. ANY REPRODUCTION IN PART OR AS A WHOLE WITHOUT THE WRITTEN PERMISSION OF HUMDINGER EQUIPMENT, LTD. IS PROHIBITED.

S/N CRDA00421 & Up

41763 PB

ITEM NO.	PART NUMBER	DESCRIPTION	QTY.
1	41450	Hitch Ball 8 IN	1
2	41503	Buna Black Cone	1
3	41451	Retainer Ring - Hitch 8 IN	1
4	41453	Hitch Receiver Shim 8 IN	2
5	40034	Retainer DF Nose	1
6	40500	Retainer-Hitch Ball	1
7	.75 FW HD	Flat Washer Grade 8	11
8	.75-10-2.00	Hex Bolt Grade 8	11



**Humdinger Equipment, Ltd.**

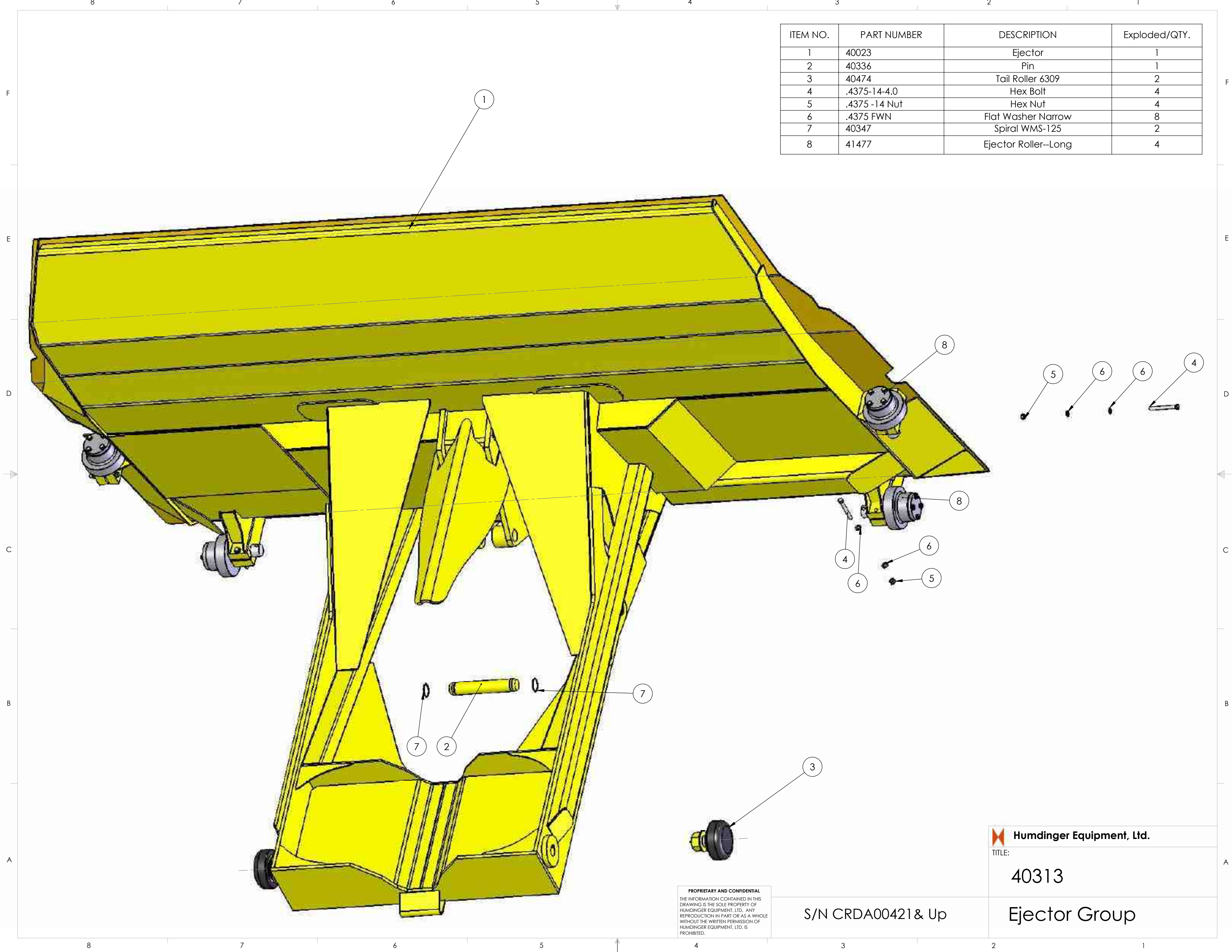
TITLE:  
8 Inch Hitch Ball Group

**PROPRIETARY AND CONFIDENTIAL**  
THE INFORMATION CONTAINED IN THIS DRAWING IS THE SOLE PROPERTY OF HUMDINGER EQUIPMENT, LTD. ANY REPRODUCTION IN PART OR AS A WHOLE WITHOUT THE WRITTEN PERMISSION OF HUMDINGER EQUIPMENT, LTD. IS PROHIBITED.

S/N CRDA00421 & Up

41761

ITEM NO.	PART NUMBER	DESCRIPTION	Exploded/QTY.
1	40023	Ejector	1
2	40336	Pin	1
3	40474	Tail Roller 6309	2
4	.4375-14-4.0	Hex Bolt	4
5	.4375-14 Nut	Hex Nut	4
6	.4375 FWN	Flat Washer Narrow	8
7	40347	Spiral WMS-125	2
8	41477	Ejector Roller--Long	4



PROPRIETARY AND CONFIDENTIAL  
 THE INFORMATION CONTAINED IN THIS  
 DRAWING IS THE SOLE PROPERTY OF  
 HUMDINGER EQUIPMENT, LTD. ANY  
 REPRODUCTION IN PART OR AS A WHOLE  
 WITHOUT THE WRITTEN PERMISSION OF  
 HUMDINGER EQUIPMENT, LTD. IS  
 PROHIBITED.

S/N CRDA00421 & Up

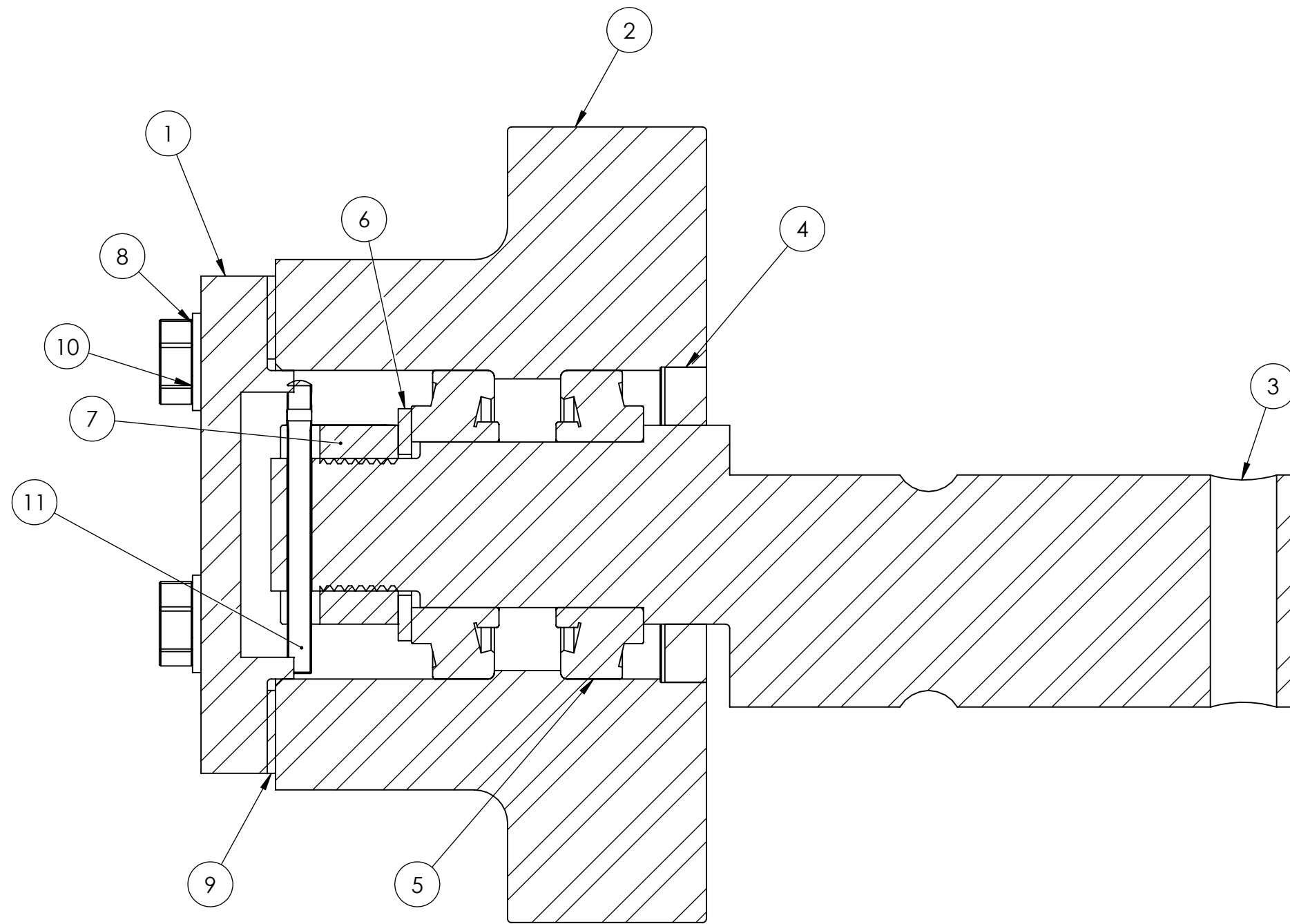
 **Humdinger Equipment, Ltd.**

TITLE:

40313

Ejector Group

ITEM NO.	PART NUMBER	DESCRIPTION	QTY.
1	41479	Cover-Roller Ejector	1
2	41478	Roller-Ejector Roller	1
3	40863	Shaft-Ejector Roller	1
4	40860	Seal 14994	1
5	40858	Bearing LM67048-LM67010	2
6	40864	Washer	1
7	HSNUT 1.0000-12-D-N	Slotted Hex Nut 1-14	1
8	.375 FW	Flat Washer	4
9	41636	Gasket	1
10	375-16-1.00	Hex Bolt Grade 8	4
11	40892	Cotter	1



Replaces 40862  
Will Fit CRDA00421 & Up

 **Humdinger Equipment, Ltd.**

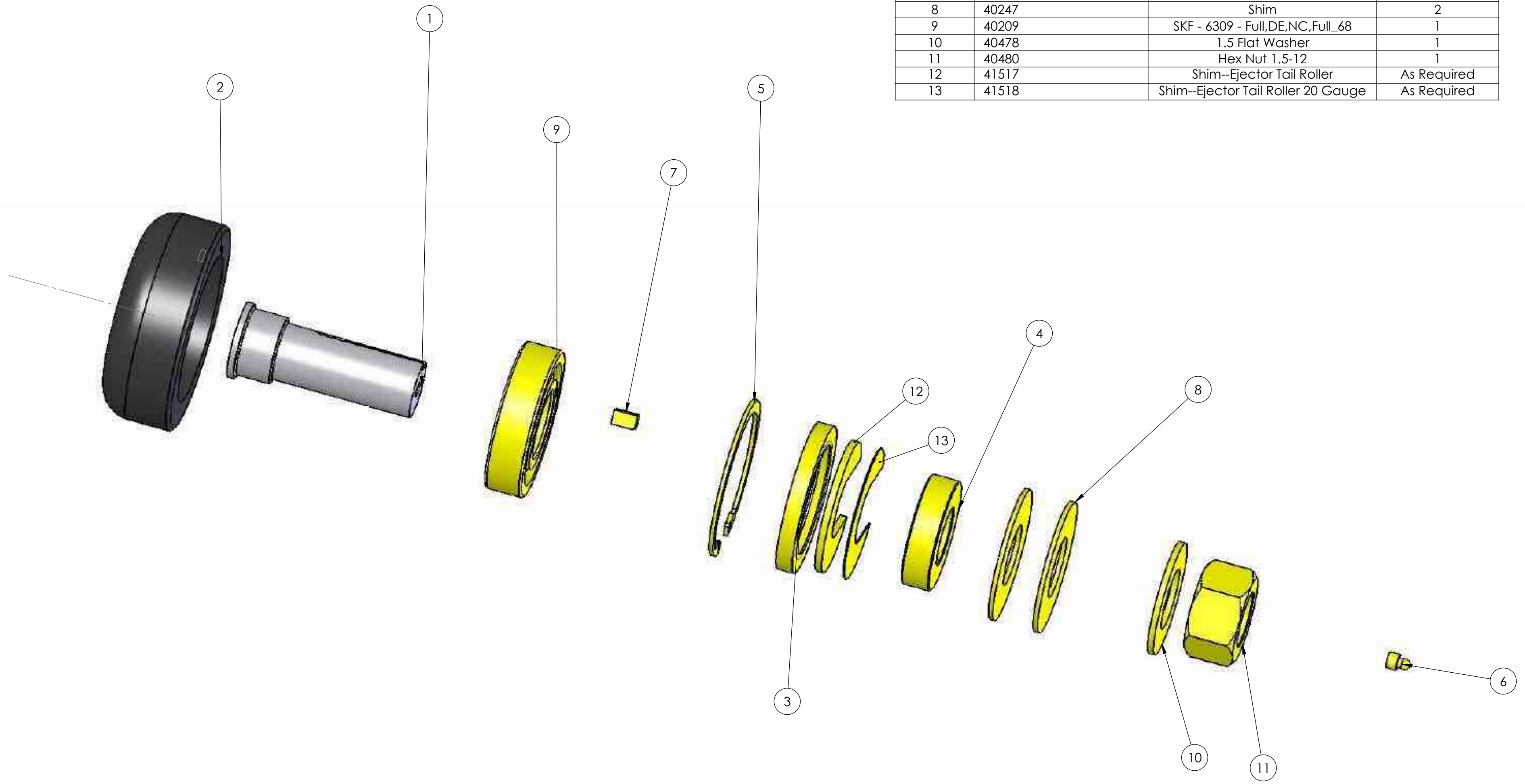
TITLE:  
Ejector Roller--Long

**PROPRIETARY AND CONFIDENTIAL**  
THE INFORMATION CONTAINED IN THIS  
DRAWING IS THE SOLE PROPERTY OF  
HUMDINGER EQUIPMENT, LTD. ANY  
REPRODUCTION IN PART OR AS A WHOLE  
WITHOUT THE WRITTEN PERMISSION OF  
HUMDINGER EQUIPMENT, LTD. IS  
PROHIBITED.

S/N CRDA00517 & Up

41477 PB

ITEM NO.	PART NUMBER	DESCRIPTION	Exploded View/QTY.
1	40473	Shaft-6309	1
2	40475	Ejector Tail Roller 6309	1
3	40476	Seal 29273	1
4	40477	Spacer 6309 Tail Roller	1
5	40481	Truarc N5000-393 - S3.938	1
6	40709	125 grease zerk	1
7	40494	Key	1
8	40247	Shim	2
9	40209	SKF - 6309 - Full,DE,NC,Full_68	1
10	40478	1.5 Flat Washer	1
11	40480	Hex Nut 1.5-12	1
12	41517	Shim--Ejector Tail Roller	As Required
13	41518	Shim--Ejector Tail Roller 20 Gauge	As Required



Item 8 Is Two Max

 Humdinger Equipment, Ltd.

TITLE:

40474

**PROPRIETARY AND CONFIDENTIAL**  
 THE INFORMATION CONTAINED IN THIS DRAWING IS THE SOLE PROPERTY OF HUMDINGER EQUIPMENT, LTD. ANY REPRODUCTION IN PART OR AS A WHOLE WITHOUT THE WRITTEN PERMISSION OF HUMDINGER EQUIPMENT, LTD. IS PROHIBITED.

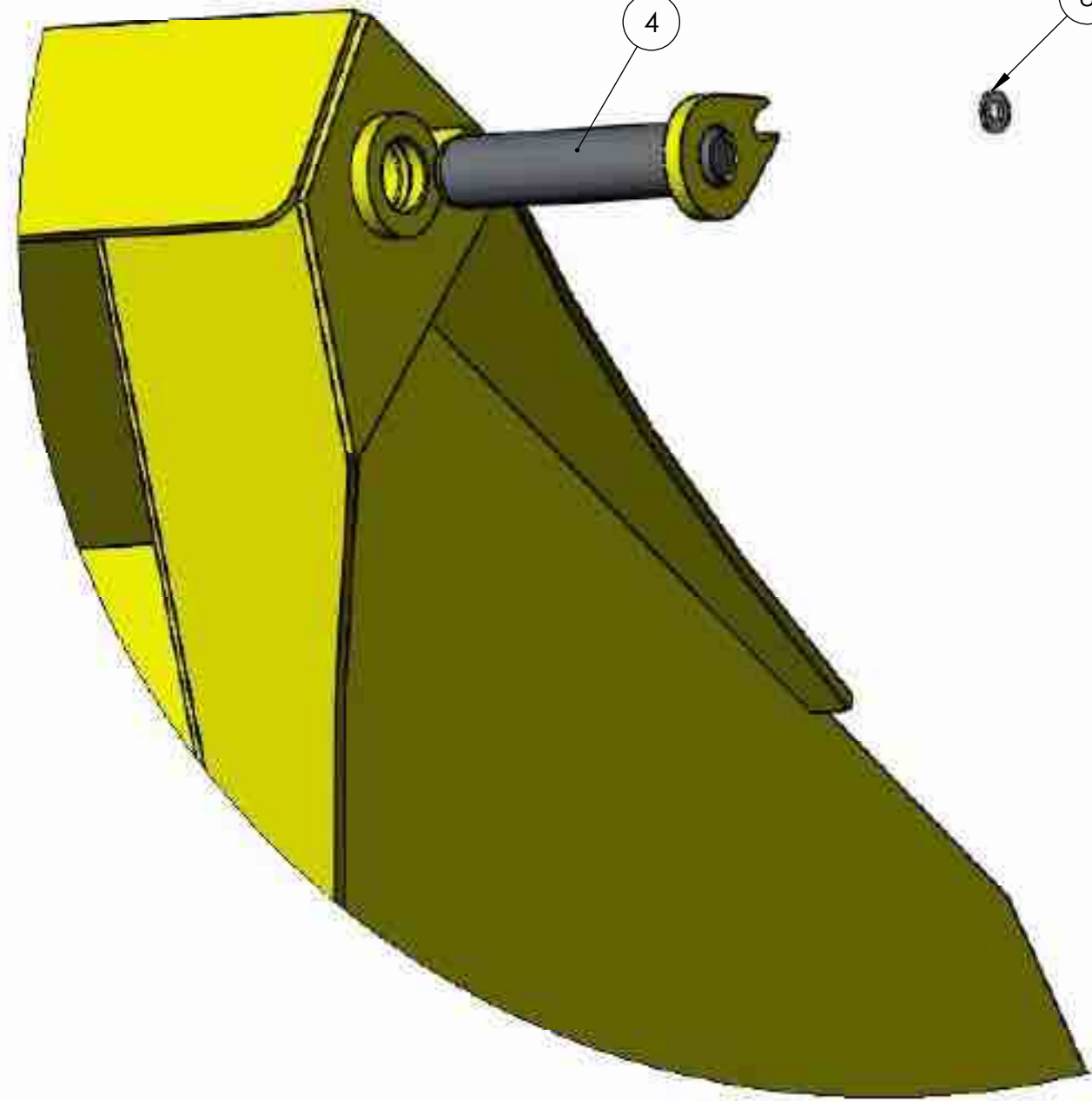
S/N CRDA00421 & Up

Ejector Tail Roller As.

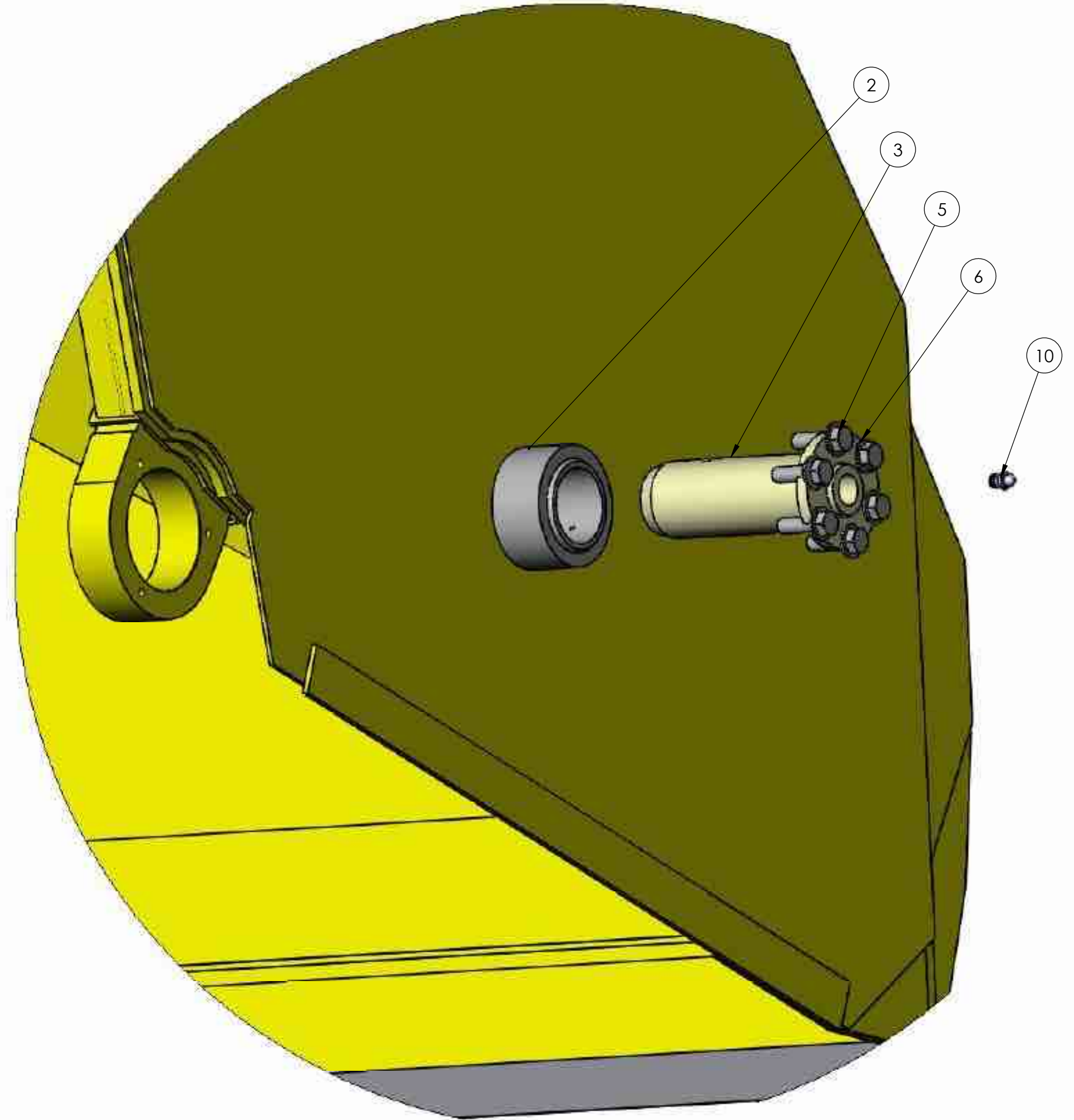


BOM Table

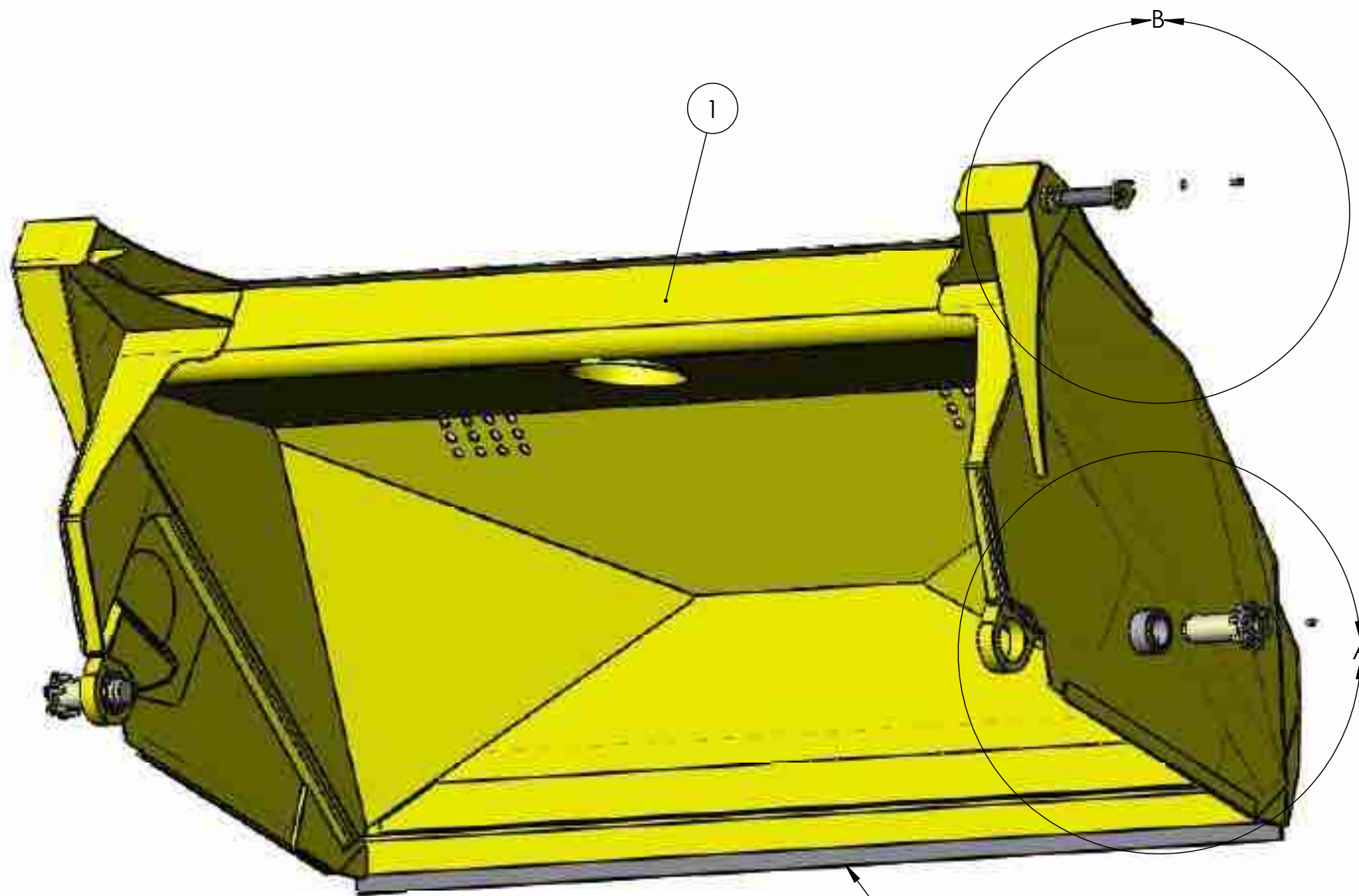
ITEM NO.	PART NUMBER	DESCRIPTION	Parts Book Config/QTY.
1	41678	Apron Assembly	1
2	41460	RBC48 - BLSS	2
3	41458	Shaft Assembly--Spherical Bearing Apron	2
4	40844	Upper Apron Pin	2
5	HFBOLT 0.625-11x2x1.5-N	.625-11 2" Grade 8 Bolt	12
6	FW 0.625	.625 Grade 8 FW	12
7	40219	Apron Wear Edge	1
8	.50 FW HD	Half Inch Flat Washer HD	2
9	.50-13-.750	Grade 8 Hex Bolt	2
10	40922	Zerk 1/4 NPT Straight	2



DETAIL B  
1:4



DETAIL A  
1:4



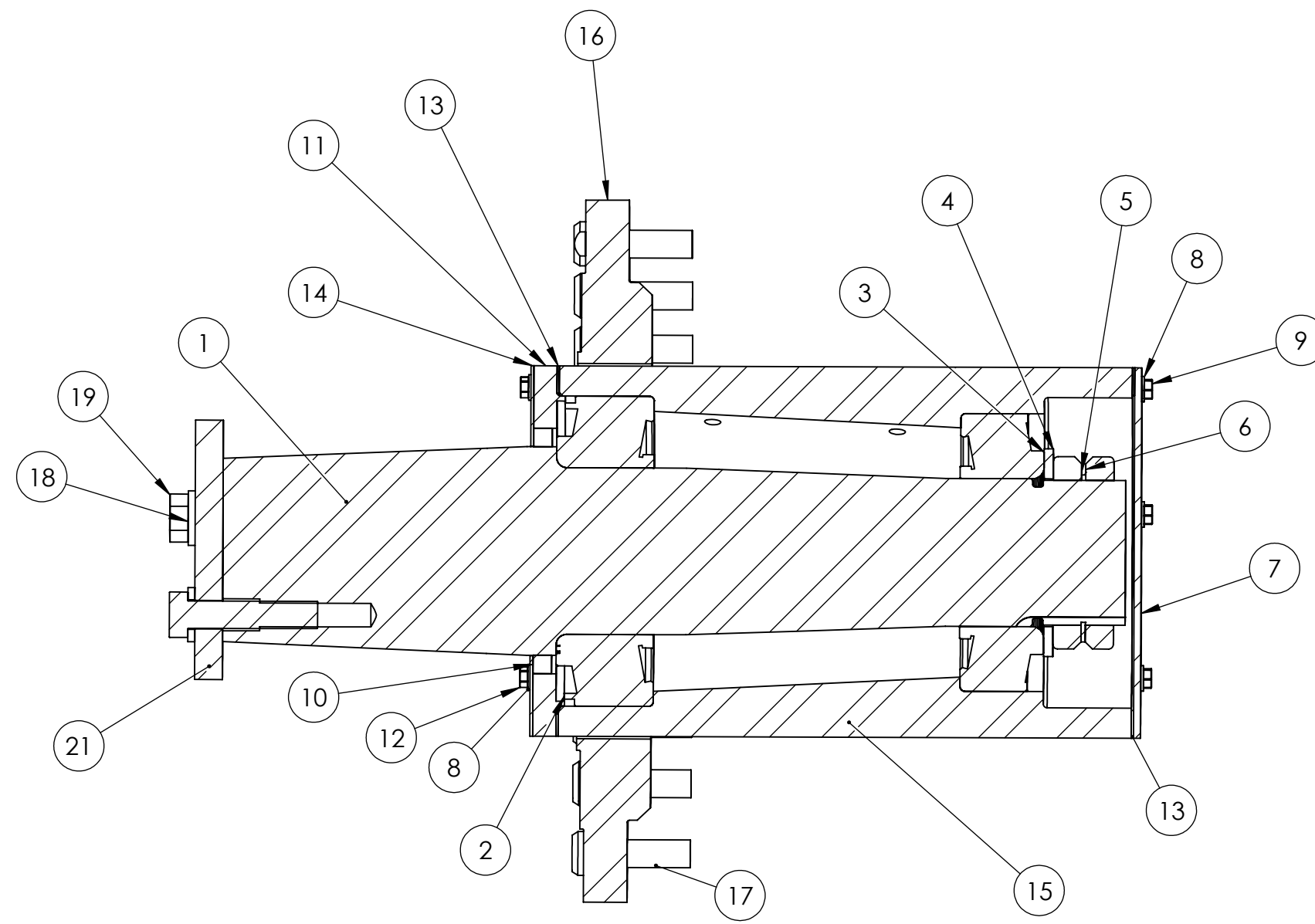
7

**Humdinger Equipment, Ltd.**  
TITLE:  
Apron Group--Spehrical Bearing

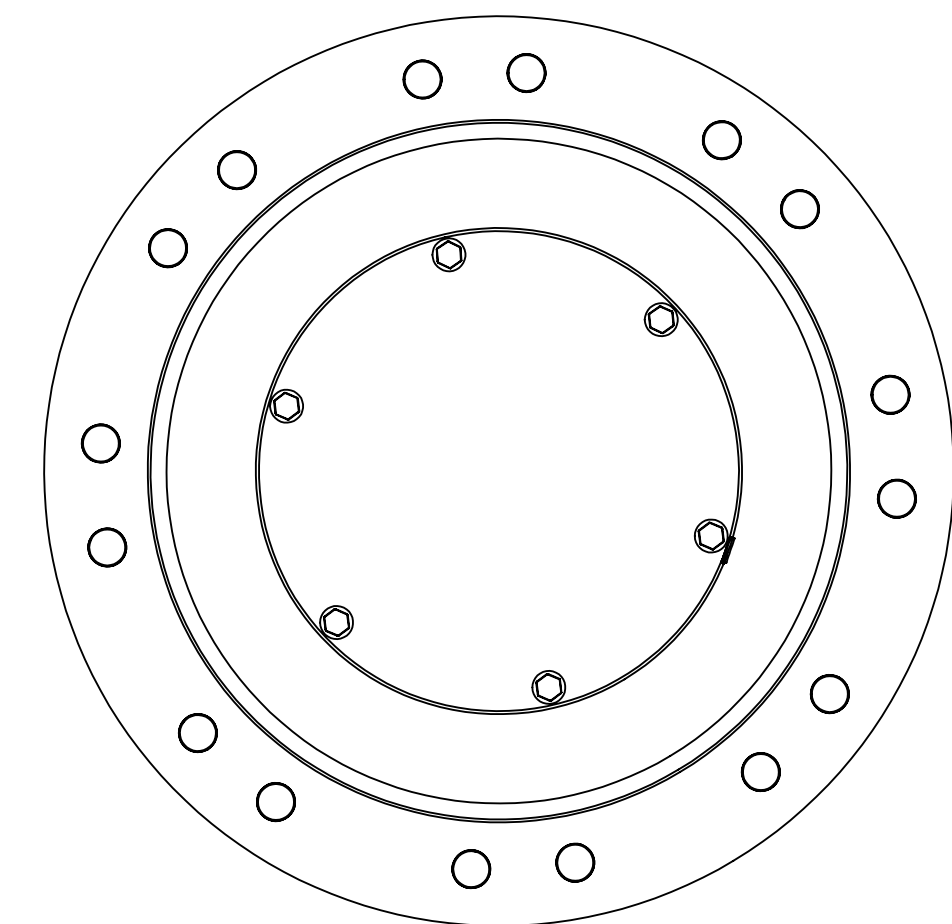
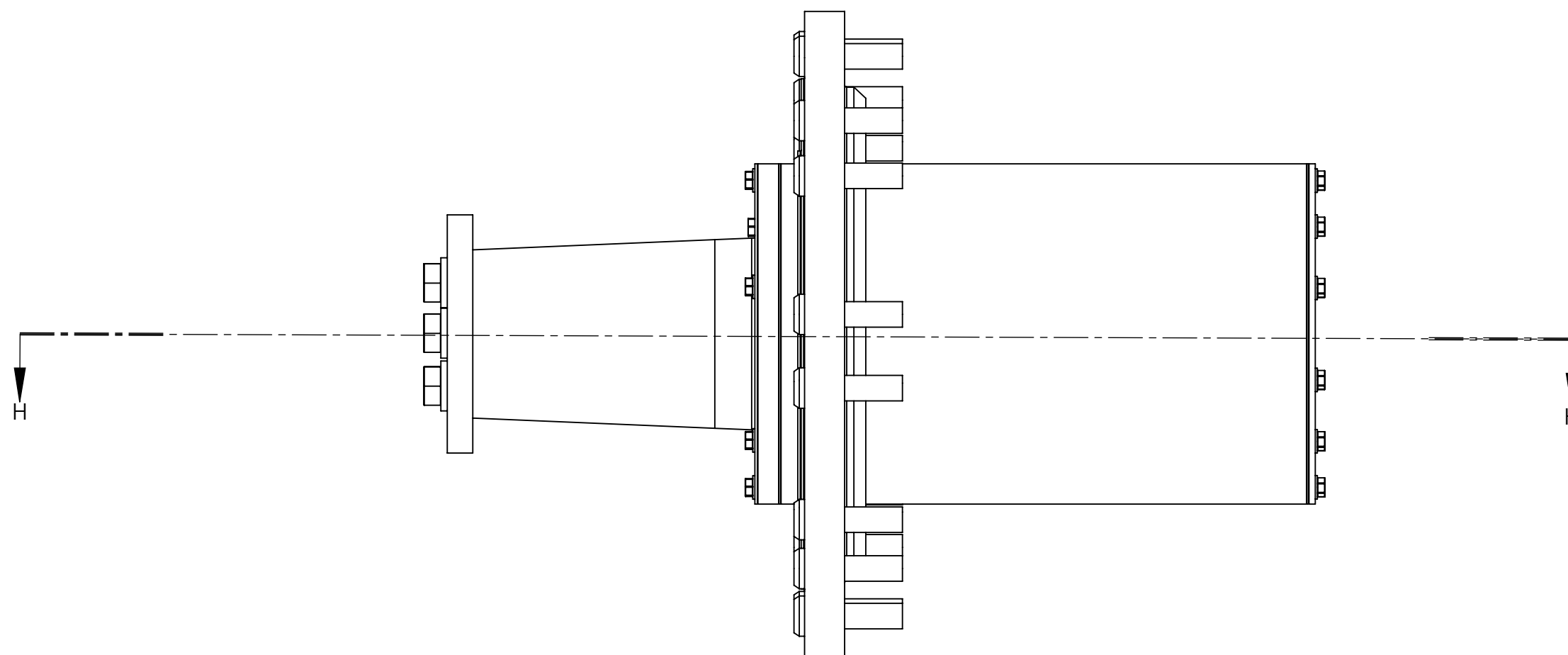
**PROPRIETARY AND CONFIDENTIAL**  
THE INFORMATION CONTAINED IN THIS DRAWING IS THE SOLE PROPERTY OF HUMDINGER EQUIPMENT, LTD. ANY REPRODUCTION IN PART OR AS A WHOLE WITHOUT THE WRITTEN PERMISSION OF HUMDINGER EQUIPMENT, LTD. IS PROHIBITED.

S/N CRDA00517 & Up

41679



ITEM NO.	PART NUMBER	DESCRIPTION	QTY.
1	40441	Shaft-Rear Axle 4.5	1
2	40439	Inner Wheel Bearing HH224346-310	1
3	40451	Outer Bearing HH221449-410 4.0	1
4	40453	Tongued Washer K91520	1
5	40452	Locknut-Tan-20	2
6	40454	Lockwasher TW120	1
7	40445	Cover Plate	1
8	.3125 FWN	Flat Washer	12
9	.3125-18-.750	Hex Bolt Grade 8	6
10	40446	Oil Seal 56101	1
11	40447	Seal Retainer Plate	1
12	.3125-18-1.25	Hex Bolt Grade 8	6
13	40897	Gasket--Wheel	2
14	40907	Seal Plate	1
15	40443	Wheel Hub	1
16	41065	2 INCH Wheel Plate	1
17	41063	.75 X 2.875 Wheel Stud	16
18	.75 FW HD	Flat Washer Grade 8	3
19	.75-10-3.50	Hex Bolt Grade 8	3
20	4638K512	Plug	2
21	40455	Axle Retention Plate	1



**PROPRIETARY AND CONFIDENTIAL**  
 THE INFORMATION CONTAINED IN THIS  
 DRAWING IS THE SOLE PROPERTY OF  
 HUMDINGER EQUIPMENT, LTD. ANY  
 REPRODUCTION IN PART OR AS A WHOLE  
 WITHOUT THE WRITTEN PERMISSION OF  
 HUMDINGER EQUIPMENT, LTD. IS  
 PROHIBITED.

S/N CRDA00421 & Up

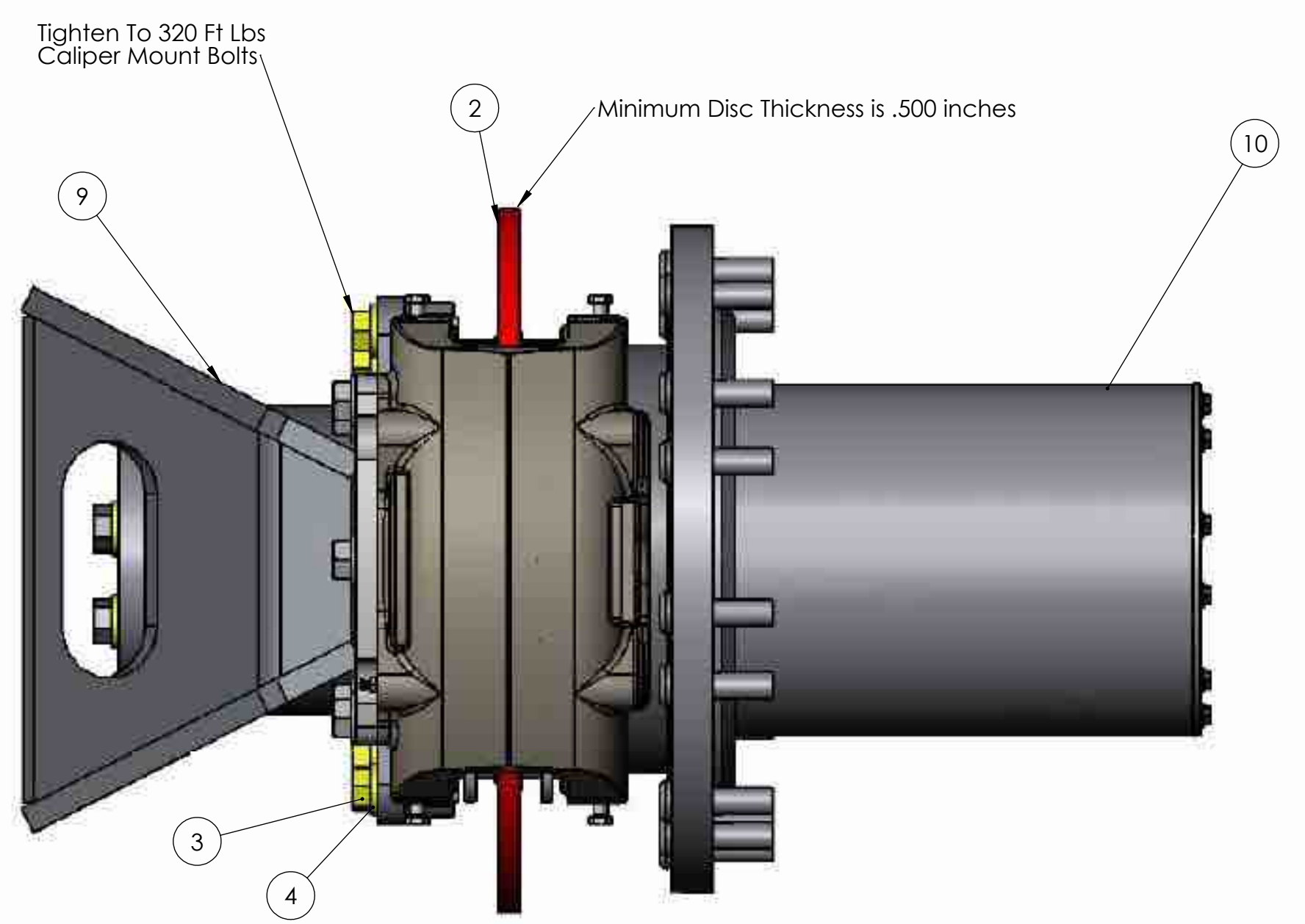
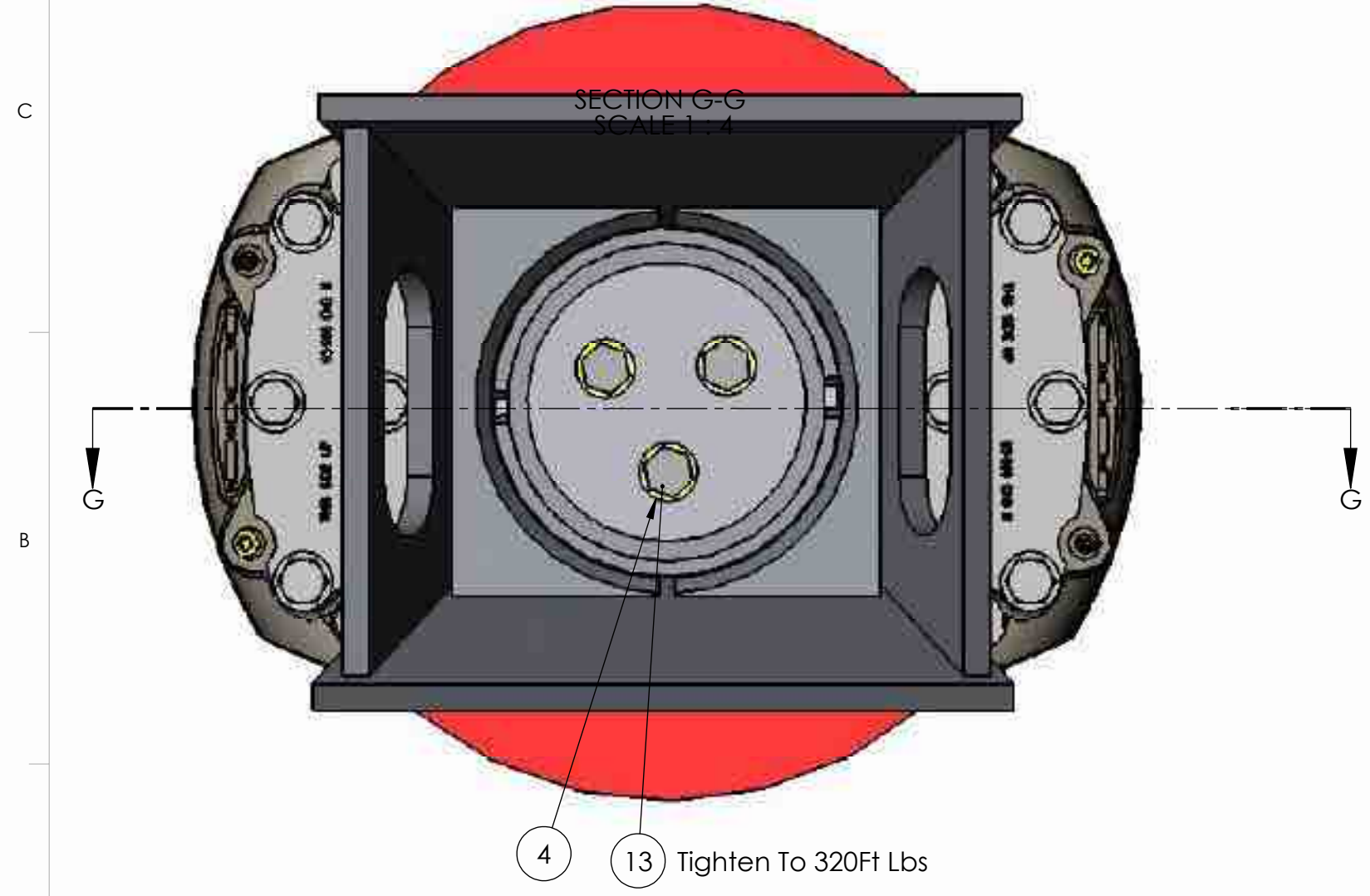
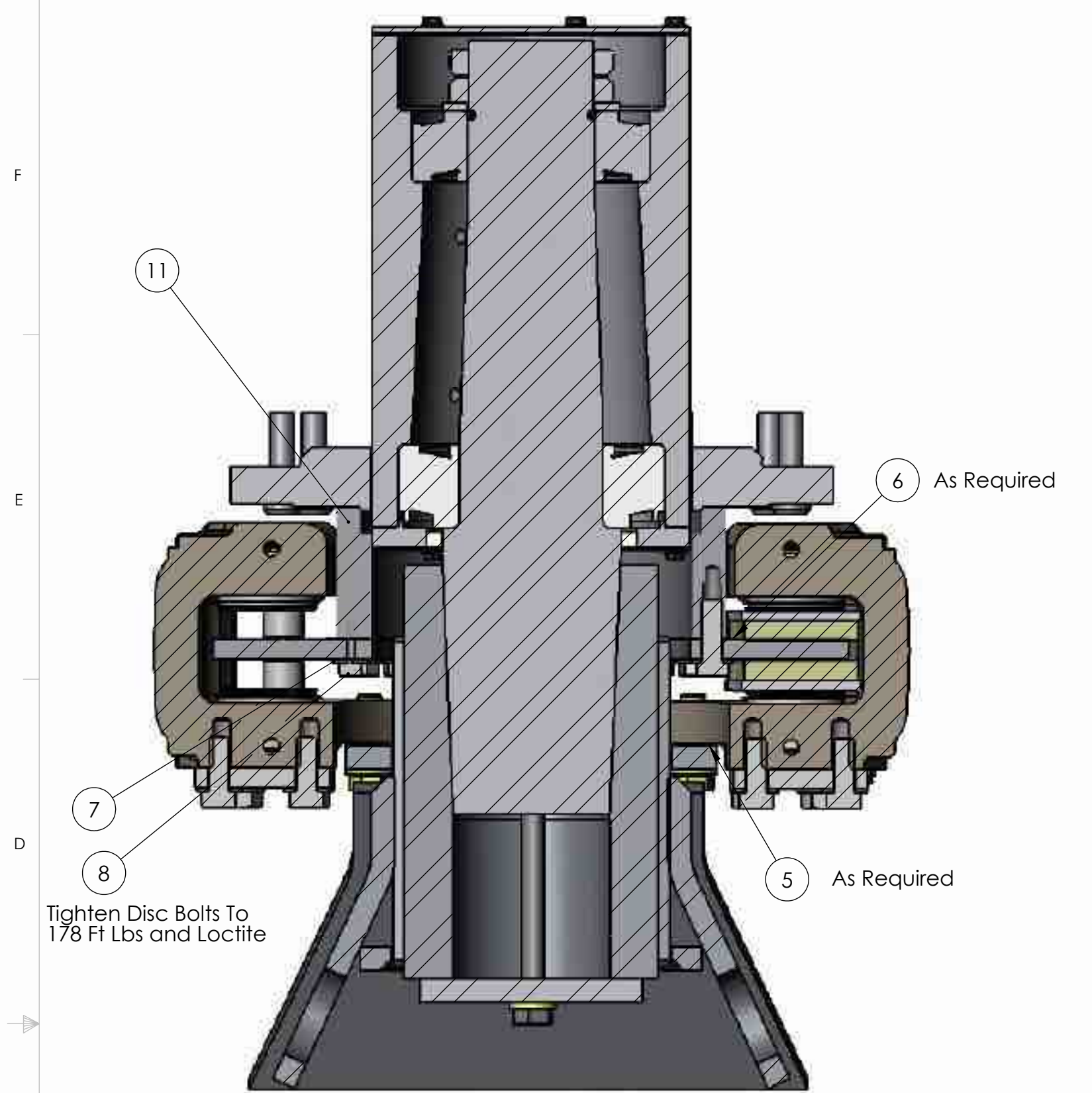
 **Humdinger Equipment, Ltd.**

TITLE:  
2 Inch Wheel Gp

41064 PB

ITEM NO.	PART NUMBER	DESCRIPTION	Parts Book Configuration/QTY.
1	41439	Caliper 419-888_asm	2
2	41200	Brake Disc	1
3	.75-10-2.50	Hex Bolt Grade 8	12
4	.75 FW HD	Flat Washer Grade 8	15
5	41423	Shim-Caliper (As Required)	8
6	41424	Brake Disc Shim (As Required)	1
7	.625 FWN	Flat Washer Grade 8	16
8	.625-11-2.00	Hex Bolt Grade 8	16
9	41360	Axle Receiver Weldment	1
10	41064	2 Inch Wheel Gp	1
11	41199	Brake Support	1
12	40455	Axle Retention Plate	1
13	.75-10-8.00	Hex Bolt Grade 8	3

Caliper Service Parts:  
 Replacement Disc Pad Set is P/N 41440 (Need Two Kits per Caliper)  
 Replacement Piston is P/N 41803  
 Replacement Seal Kit is P/N 41804 (Does One Caliper)



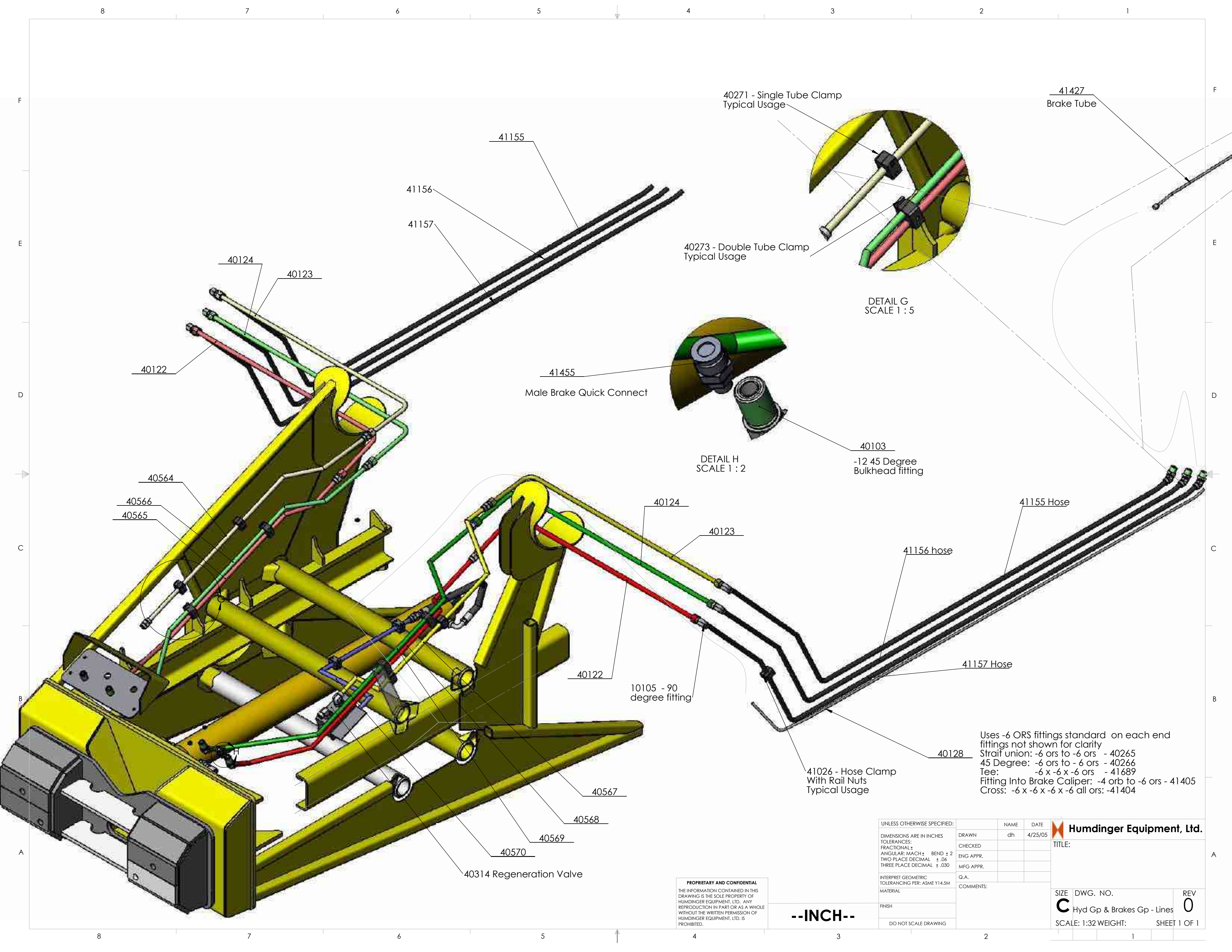
**Humdinger Equipment, Ltd.**

TITLE:  
 Brake Group-H619

**PROPRIETARY AND CONFIDENTIAL**  
 THE INFORMATION CONTAINED IN THIS DRAWING IS THE SOLE PROPERTY OF HUMDINGER EQUIPMENT, LTD. ANY REPRODUCTION IN PART OR AS A WHOLE WITHOUT THE WRITTEN PERMISSION OF HUMDINGER EQUIPMENT, LTD. IS PROHIBITED.

S/N CRDA00493 & Up

41438



40271 - Single Tube Clamp  
Typical Usage

41427  
Brake Tube

40273 - Double Tube Clamp  
Typical Usage

DETAIL G  
SCALE 1 : 5

41455  
Male Brake Quick Connect

DETAIL H  
SCALE 1 : 2

40103  
-12 45 Degree  
Bulkhead fitting

Uses -6 ORS fittings standard on each end  
fittings not shown for clarity  
Strait union: -6 ors to -6 ors - 40265  
45 Degree: -6 ors to -6 ors - 40266  
Tee: -6 x -6 x -6 ors - 41689  
Fitting Into Brake Caliper: -4 orb to -6 ors - 41405  
Cross: -6 x -6 x -6 x -6 all ors - 41404

UNLESS OTHERWISE SPECIFIED:

DIMENSIONS ARE IN INCHES	DRAWN	NAME	DATE
TOLERANCES:	CHECKED	dh	4/25/05
FRACTIONAL ±	ENG APPR.		
ANGULAR: MATCH ± BEND ± 2	MFG APPR.		
TWO PLACE DECIMAL ± .06	Q.A.		
THREE PLACE DECIMAL ± .030	COMMENTS:		
INTERPRET GEOMETRIC TOLERANCING PER: ASME Y14.5M			
MATERIAL			
FINISH			
DO NOT SCALE DRAWING			

<b>Humdinger Equipment, Ltd.</b>		
TITLE:		
SIZE	DWG. NO.	REV
<b>C</b>	Hyd Gp & Brakes Gp - Lines	<b>0</b>
SCALE: 1:32	WEIGHT:	SHEET 1 OF 1

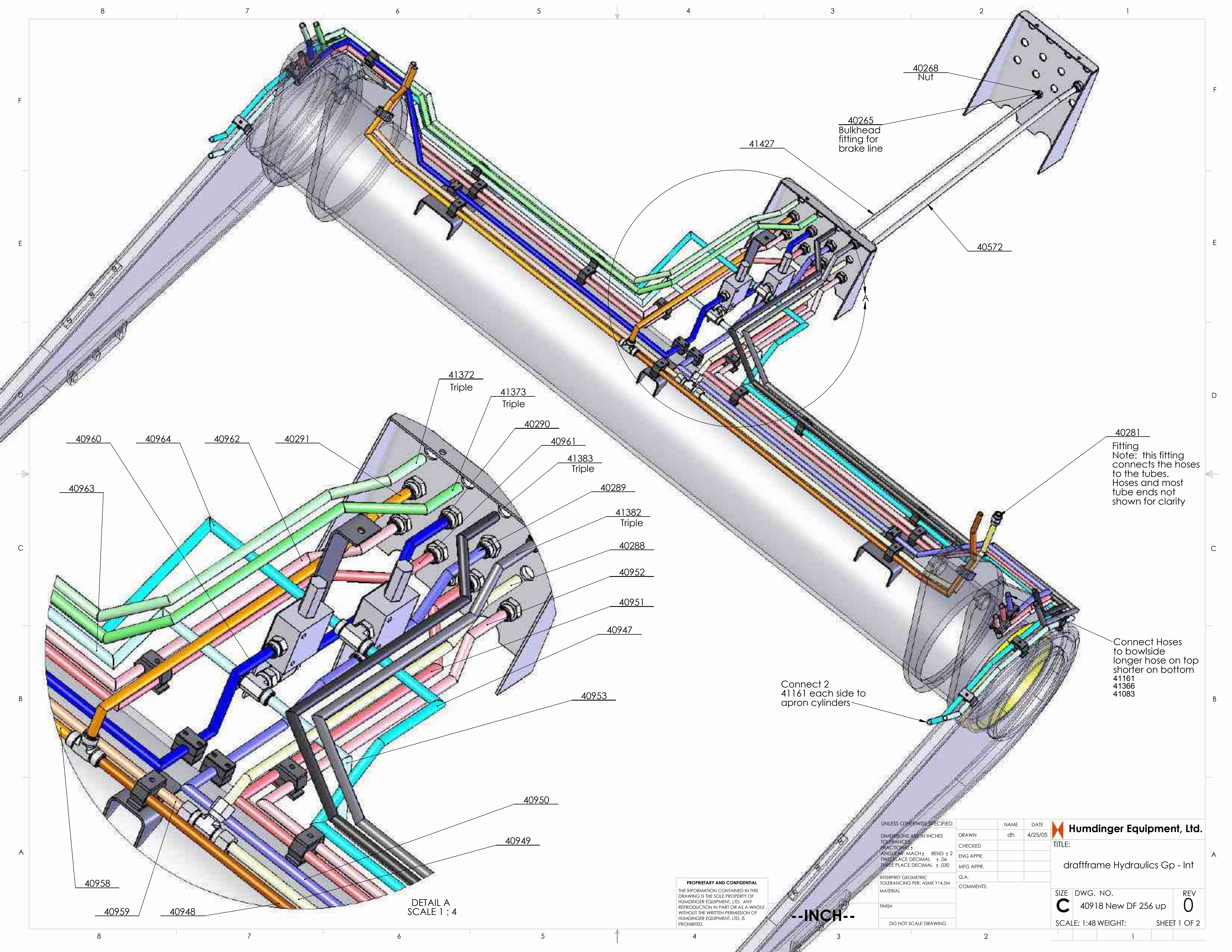
**PROPRIETARY AND CONFIDENTIAL**  
THE INFORMATION CONTAINED IN THIS DRAWING IS THE SOLE PROPERTY OF HUMDINGER EQUIPMENT, LTD. ANY REPRODUCTION IN PART OR AS A WHOLE WITHOUT THE WRITTEN PERMISSION OF HUMDINGER EQUIPMENT, LTD. IS PROHIBITED.

--INCH--

8 7 6 5 4 3 2 1

F E D C B A

40124 40123 40122 41155 41156 41157 40564 40566 40565 40124 40123 40122 40567 40568 40569 40314 Regeneration Valve 41455 Male Brake Quick Connect 40103 -12 45 Degree Bulkhead fitting 40124 40123 10105 - 90 degree fitting 41155 Hose 41156 hose 41157 Hose 40128 41026 - Hose Clamp With Rail Nuts Typical Usage



40268  
Nut

40265  
Bulkhead fitting for  
brake line

41427

40572

41372  
Triple

41373  
Triple

40290

40961

41383  
Triple

40289

41382  
Triple

40288

40952

40951

40947

40953

40950

40949

40281

Fitting  
Note: this fitting  
connects the hoses  
to the tubes.  
Hoses and most  
tube ends not  
shown for clarity

Connect Hoses  
to bowside  
longer hose on top  
shorter on bottom  
41161  
41366  
41083

Connect 2  
41161 each side to  
apron cylinders

DETAIL A  
SCALE 1:4

PROPRIETARY AND CONFIDENTIAL  
THE INFORMATION CONTAINED IN THIS  
DRAWING IS THE SOLE PROPERTY OF  
HUMDINGER EQUIPMENT, LTD. ANY  
REPRODUCTION IN PART OR AS A WHOLE  
WITHOUT THE WRITTEN PERMISSION OF  
HUMDINGER EQUIPMENT, LTD. IS  
PROHIBITED.

--INCH--

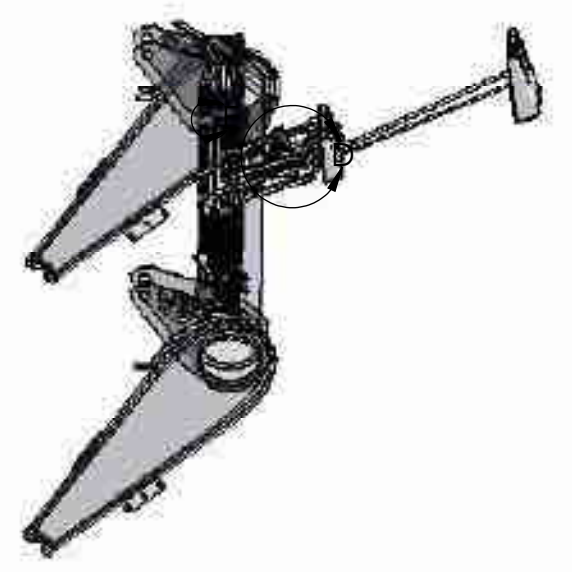
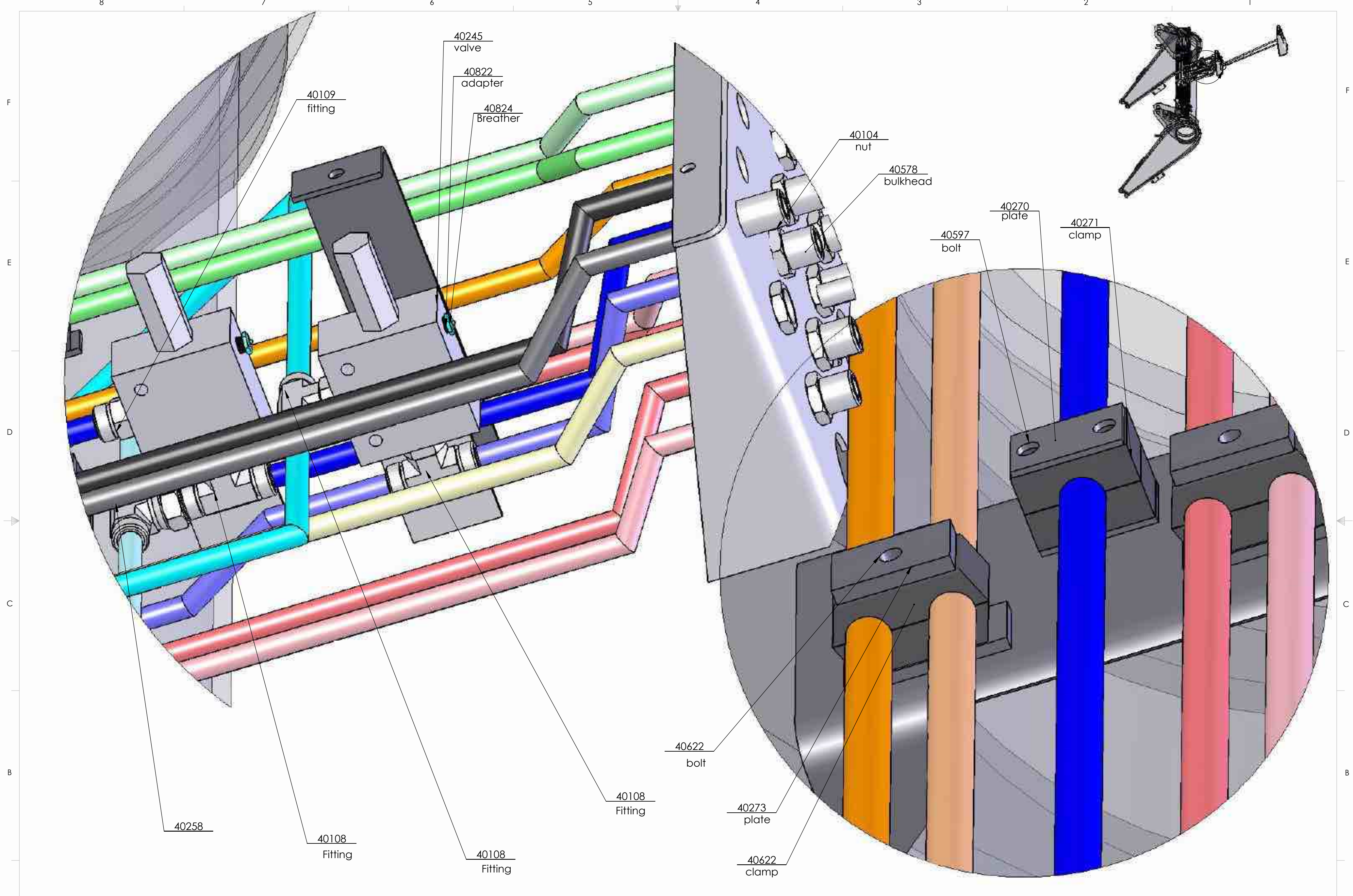
UNLESS OTHERWISE SPECIFIED:  
DIMENSIONS ARE IN INCHES  
TOLERANCES:  
FRACTIONAL ±  
ANGULAR: MACH ± BEND ± 2  
TWO PLACE DECIMAL ± .06  
THREE PLACE DECIMAL ± .030  
INTERPRET GEOMETRIC  
TOLERANCING PER: ASME Y14.5M  
MATERIAL  
FINISH  
DO NOT SCALE DRAWING

NAME	DATE
dh	4/25/05
CHECKED	
ENG APPR.	
MFG APPR.	
Q.A.	
COMMENTS:	

**Humdinger Equipment, Ltd.**

TITLE:  
draffframe Hydraulics Gp - Int

SIZE	DWG. NO.	REV
C	40918 New DF 256 up	0
SCALE: 1:48 WEIGHT:	SHEET 1 OF 2	



UNLESS OTHERWISE SPECIFIED:		NAME	DATE	
DIMENSIONS ARE IN INCHES		DRAWN	RJH	
TOLERANCES:		CHECKED		TITLE:
FRACTIONAL ±		ENG APPR.		draffframe Hydraulics Gp - Int
ANGULAR: MACH ±		MFG APPR.		
BEND ±		Q.A.		
TWO PLACE DECIMAL ± .06		COMMENTS:		
THREE PLACE DECIMAL ± .030				
INTERPRET GEOMETRIC TOLERANCING PER: ASME Y14.5M				SIZE DWG. NO. REV
MATERIAL				<b>C</b> 40918 New DF 256 up <b>0</b>
FINISH				SCALE: 1:48 WEIGHT: SHEET 2 OF 2
DO NOT SCALE DRAWING				

**PROPRIETARY AND CONFIDENTIAL**  
 THE INFORMATION CONTAINED IN THIS DRAWING IS THE SOLE PROPERTY OF HUMDINGER EQUIPMENT, LTD. ANY REPRODUCTION IN PART OR AS A WHOLE WITHOUT THE WRITTEN PERMISSION OF HUMDINGER EQUIPMENT, LTD. IS PROHIBITED.

**--INCH--**

2-40299 Bowl Lift Cylinder  
2-40300 Apron Cylinder  
1-40301 Ejector Cylinder

Seal Kits:

40299SK Bowl Lift Cylinder Seal Kit  
40300SK Apron Cylinder Seal Kit  
40301SK Ejector Cylinder Seal Kit

 **Humdinger Equipment, Ltd.**

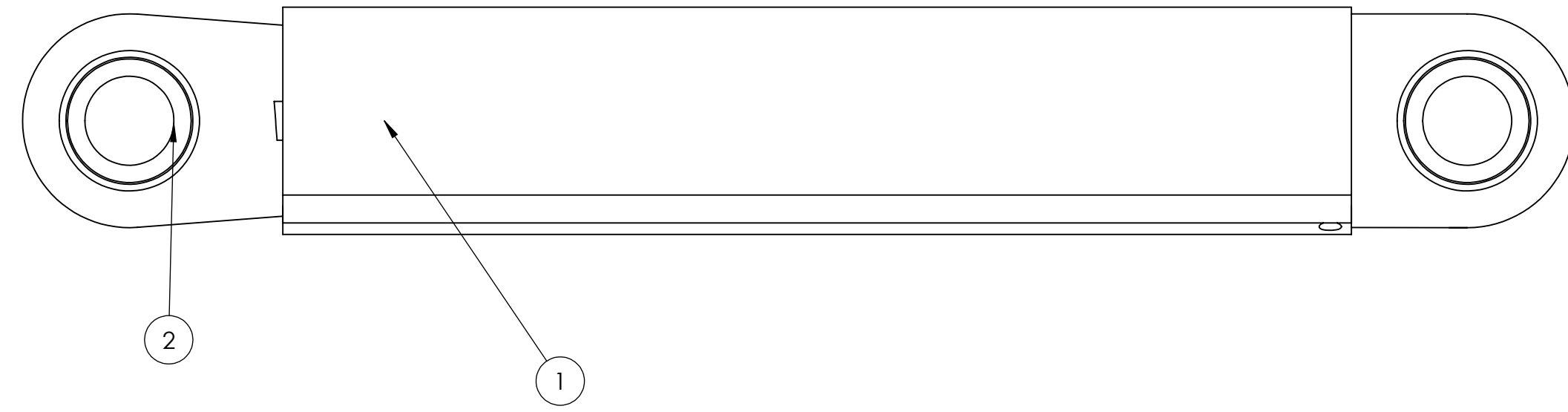
TITLE:  
Cylinder Group

S/N CRDA00421 & Up

41356

**PROPRIETARY AND CONFIDENTIAL**  
THE INFORMATION CONTAINED IN THIS  
DRAWING IS THE SOLE PROPERTY OF  
HUMDINGER EQUIPMENT, LTD. ANY  
REPRODUCTION IN PART OR AS A WHOLE  
WITHOUT THE WRITTEN PERMISSION OF  
HUMDINGER EQUIPMENT, LTD. IS  
PROHIBITED.

ITEM NO.	PART NUMBER	DESCRIPTION	QTY.
1	40299 - SK	Seal Kit	1
2	41752	2.5 spherical bearing	2



 **Humdinger Equipment, Ltd.**

TITLE:  
Cylinder Gp. - Bowl Lift

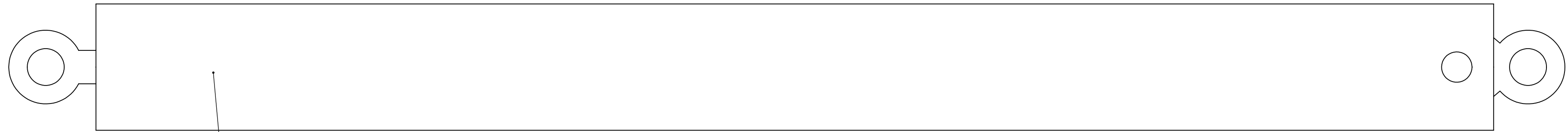
**PROPRIETARY AND CONFIDENTIAL**  
THE INFORMATION CONTAINED IN THIS DRAWING IS THE SOLE PROPERTY OF HUMDINGER EQUIPMENT, LTD. ANY REPRODUCTION IN PART OR AS A WHOLE WITHOUT THE WRITTEN PERMISSION OF HUMDINGER EQUIPMENT, LTD. IS PROHIBITED.

S/N CRDA00421 & Up

40299



ITEM NO.	PART NUMBER	DESCRIPTION	QTY.
1	40301 - SK	Seal Kit	1



1

**PROPRIETARY AND CONFIDENTIAL**  
 THE INFORMATION CONTAINED IN THIS  
 DRAWING IS THE SOLE PROPERTY OF  
 HUMDINGER EQUIPMENT, LTD. ANY  
 REPRODUCTION IN PART OR AS A WHOLE  
 WITHOUT THE WRITTEN PERMISSION OF  
 HUMDINGER EQUIPMENT, LTD. IS  
 PROHIBITED.

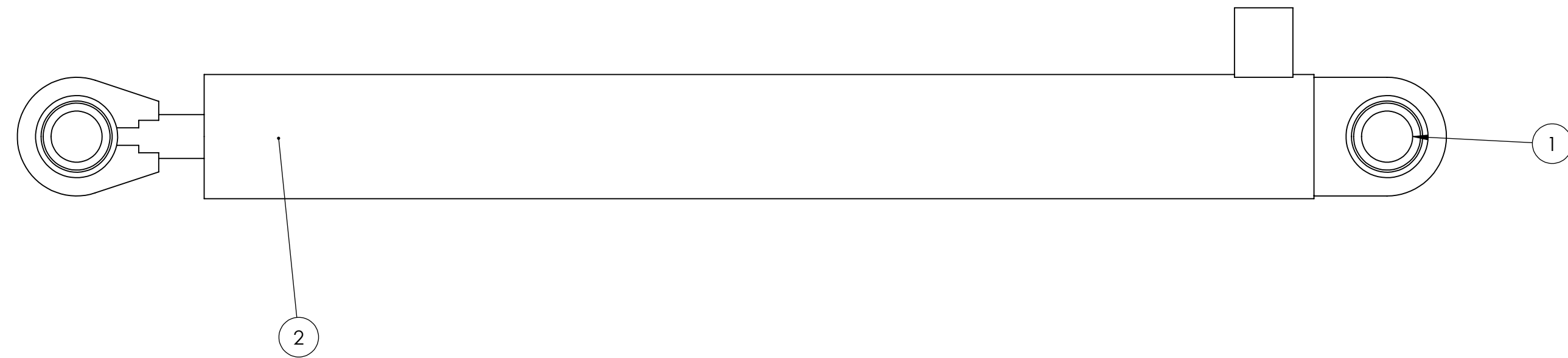
S/N CRDA00421 & Up

40301

 **Humdinger Equipment, Ltd.**

TITLE:  
 Cylinder Gp. - Ejector

ITEM NO.	PART NUMBER	DESCRIPTION	QTY.
1	41751	1.75 spherical bearing	2
2	40300 - SK	Seal Kit	1



**PROPRIETARY AND CONFIDENTIAL**  
 THE INFORMATION CONTAINED IN THIS DRAWING IS THE SOLE PROPERTY OF HUMDINGER EQUIPMENT, LTD. ANY REPRODUCTION IN PART OR AS A WHOLE WITHOUT THE WRITTEN PERMISSION OF HUMDINGER EQUIPMENT, LTD. IS PROHIBITED.

--INCH--

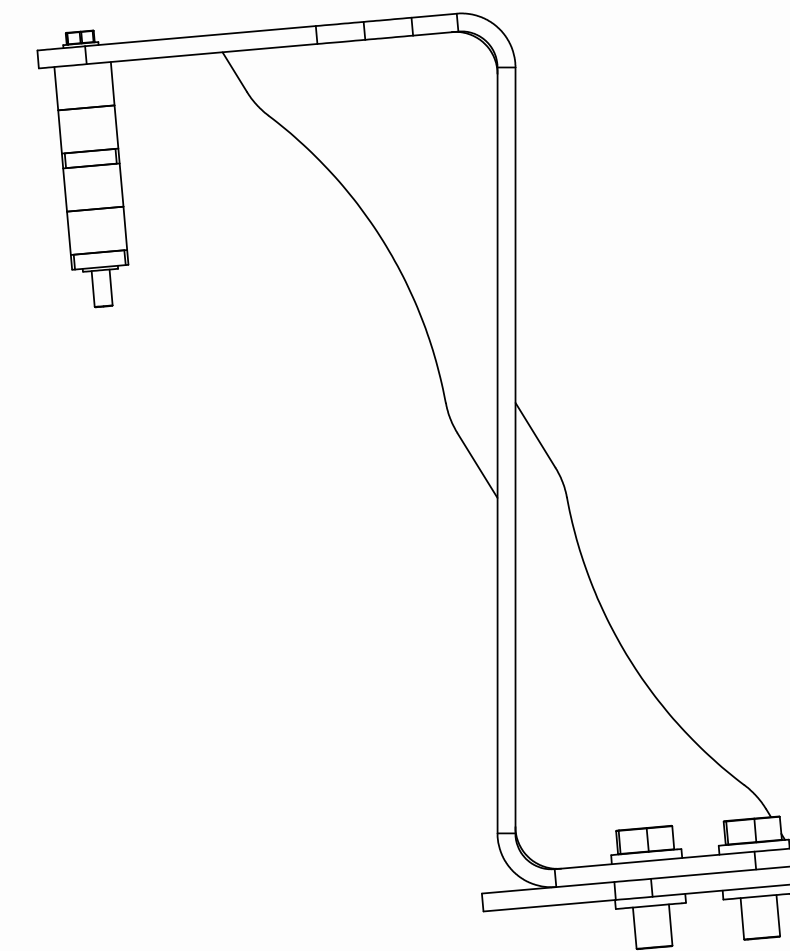
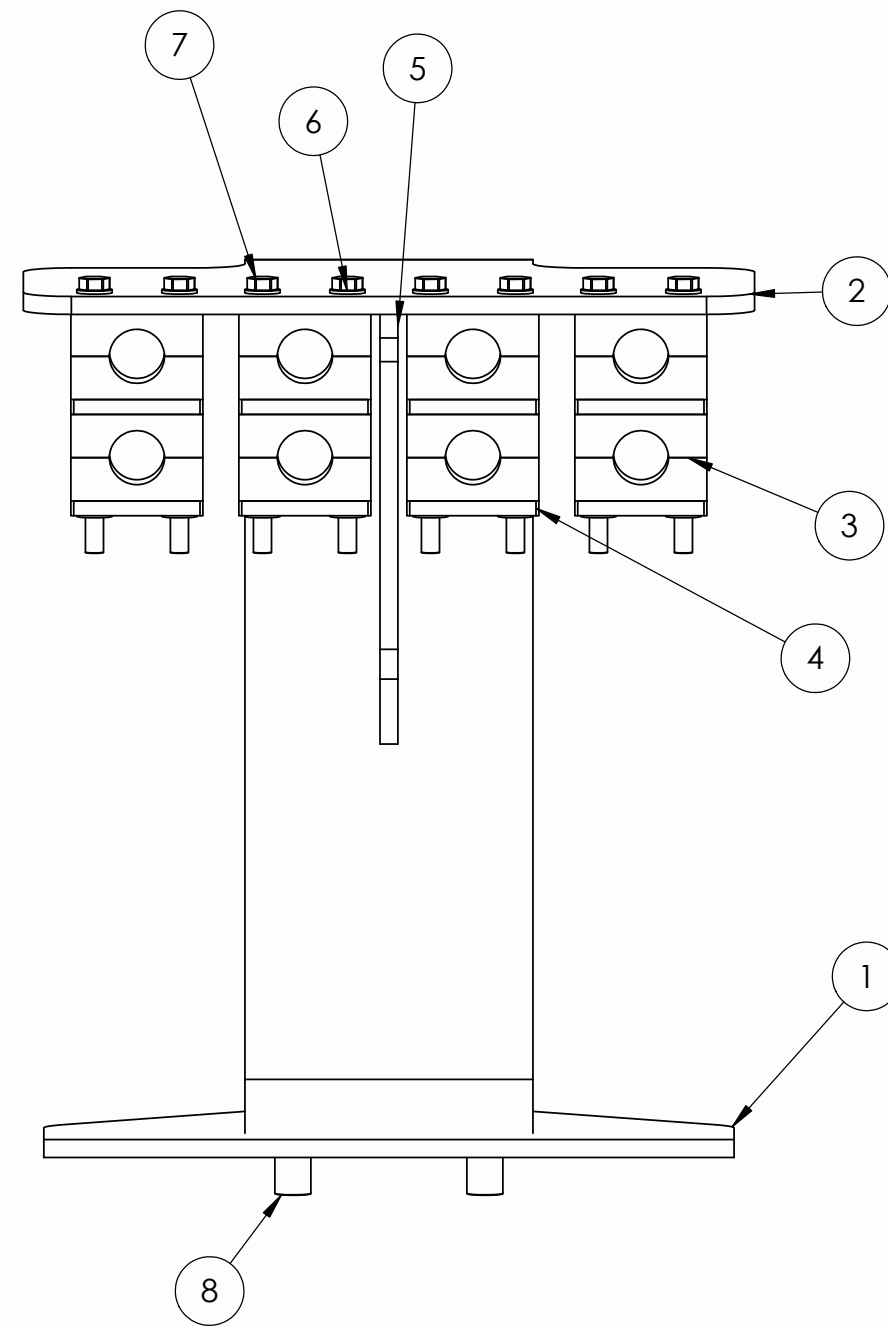
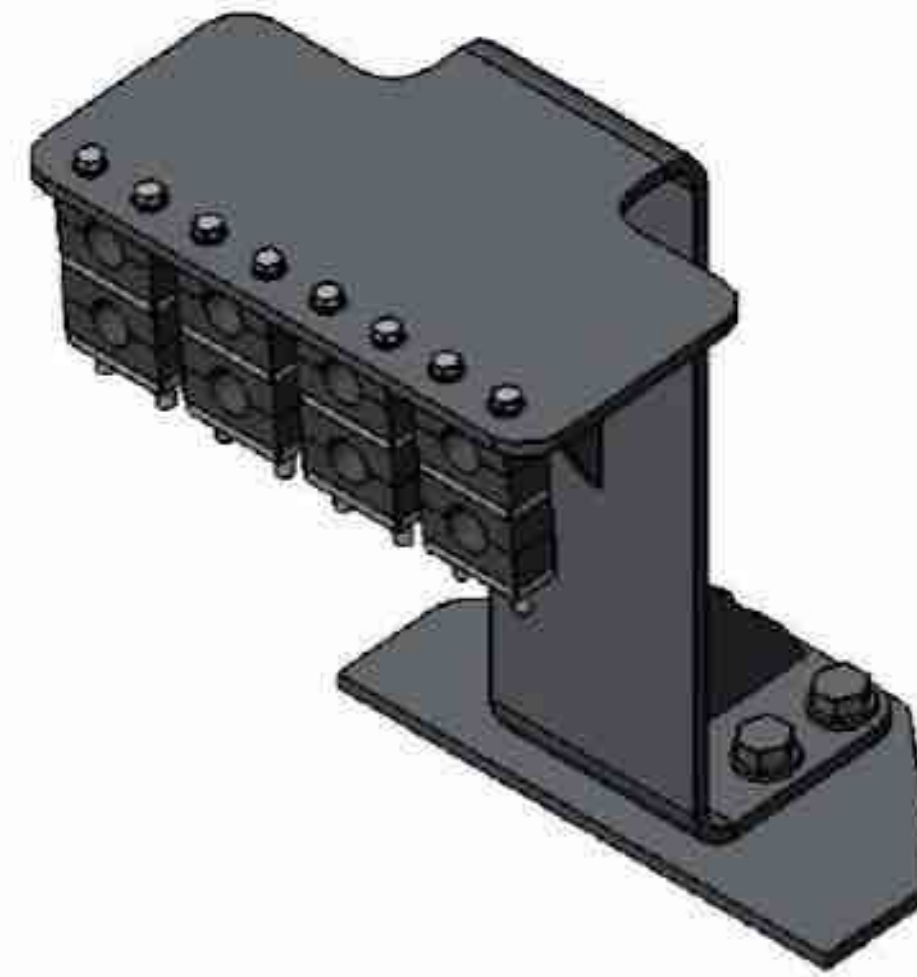
UNLESS OTHERWISE SPECIFIED:	NAME	DATE
DIMENSIONS ARE IN INCHES	dh	4/25/05
TOLERANCES:		
FRACTIONAL ±		
ANGULAR: MACH ± BEND ± 2		
TWO PLACE DECIMAL ± .06		
THREE PLACE DECIMAL ± .030		
INTERPRET GEOMETRIC TOLERANCING PER: ASME Y14.5M		
MATERIAL		
FINISH		
DO NOT SCALE DRAWING		

**Humdinger Equipment, Ltd.**

TITLE: **Cylinder Gp. - Apron**

SIZE	DWG. NO.	REV
<b>C</b>	40300	<b>0</b>
SCALE: 1:8	WEIGHT:	SHEET 1 OF 1

ITEM NO.	PART NUMBER	DESCRIPTION	QTY.
1	40945	Support Plate	1
2	40944	Stand	1
3	41026	H4292HPP - Hose Clamp	16
4	40599	CPH-4 Cover Heavy	8
5	40946	Gusset	2
6	.375 FW	Flat Washer	16
7	375-16-5.50	Hex Bolt Grade 8	8
8	.75-10-2.00	Hex Bolt Grade 8	4
9	.75 FW HD	Flat Washer Grade 8	8



**Humdinger Equipment, Ltd.**

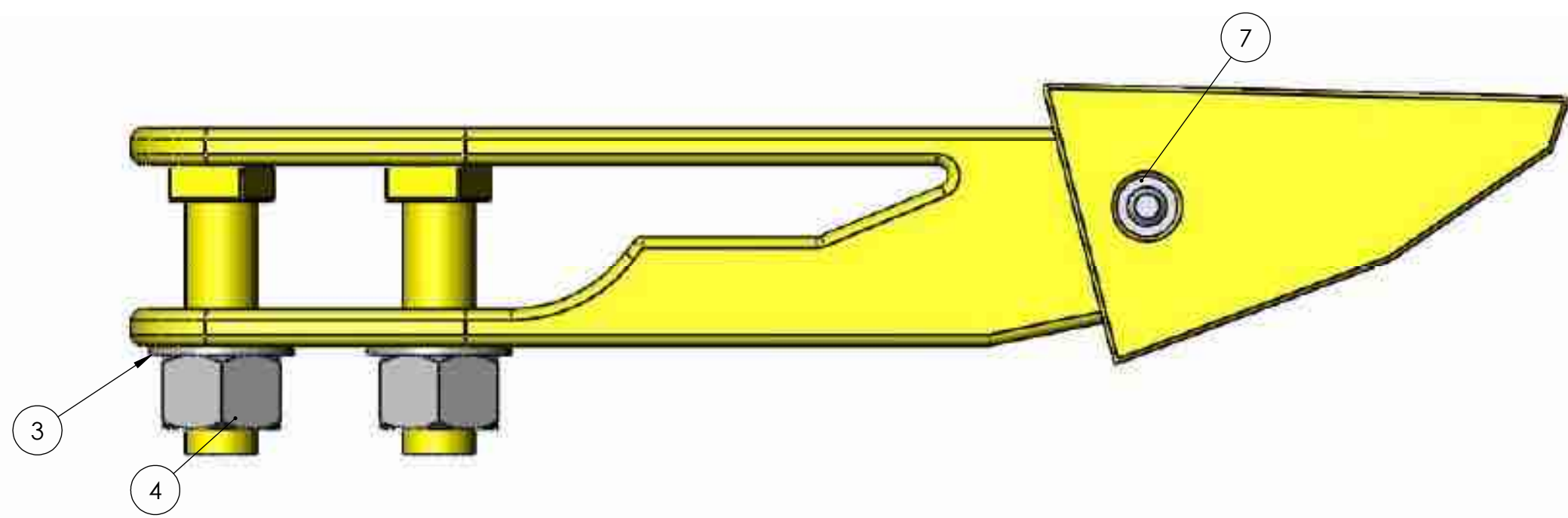
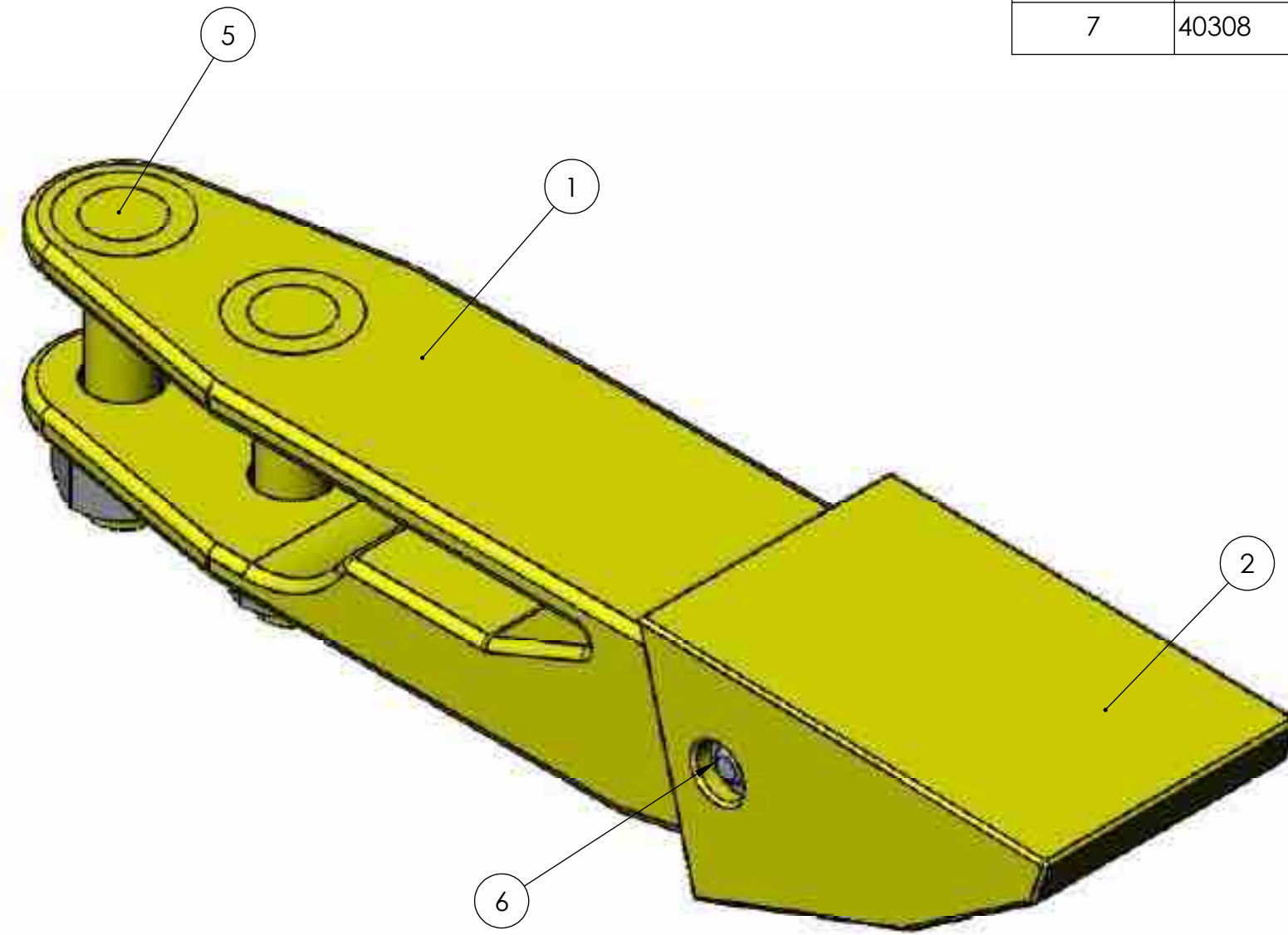
TITLE:  
Hose Hanger Challenger

PROPRIETARY AND CONFIDENTIAL  
THE INFORMATION CONTAINED IN THIS  
DRAWING IS THE SOLE PROPERTY OF  
HUMDINGER EQUIPMENT, LTD. ANY  
REPRODUCTION IN PART OR AS A WHOLE  
WITHOUT THE WRITTEN PERMISSION OF  
HUMDINGER EQUIPMENT, LTD. IS  
PROHIBITED.

S/N CRDA00421 & Up

41127 PB

ITEM NO.	PART NUMBER	DESCRIPTION	QTY.
1	40305	Adapter-Tooth	1
2	40306	Tip - Long	1
3	FW 1	Flat Washer	2
4	HHNUT 1.0000-8-D-N	Nut	2
5	1-8 4.5 Inch Bolt	Plow Bolt	2
6	40307	Tooth Retainer Pin	1
7	40308	Retaining Nut	1



USE 3 To 5 Per Machine

 **Humdinger Equipment, Ltd.**

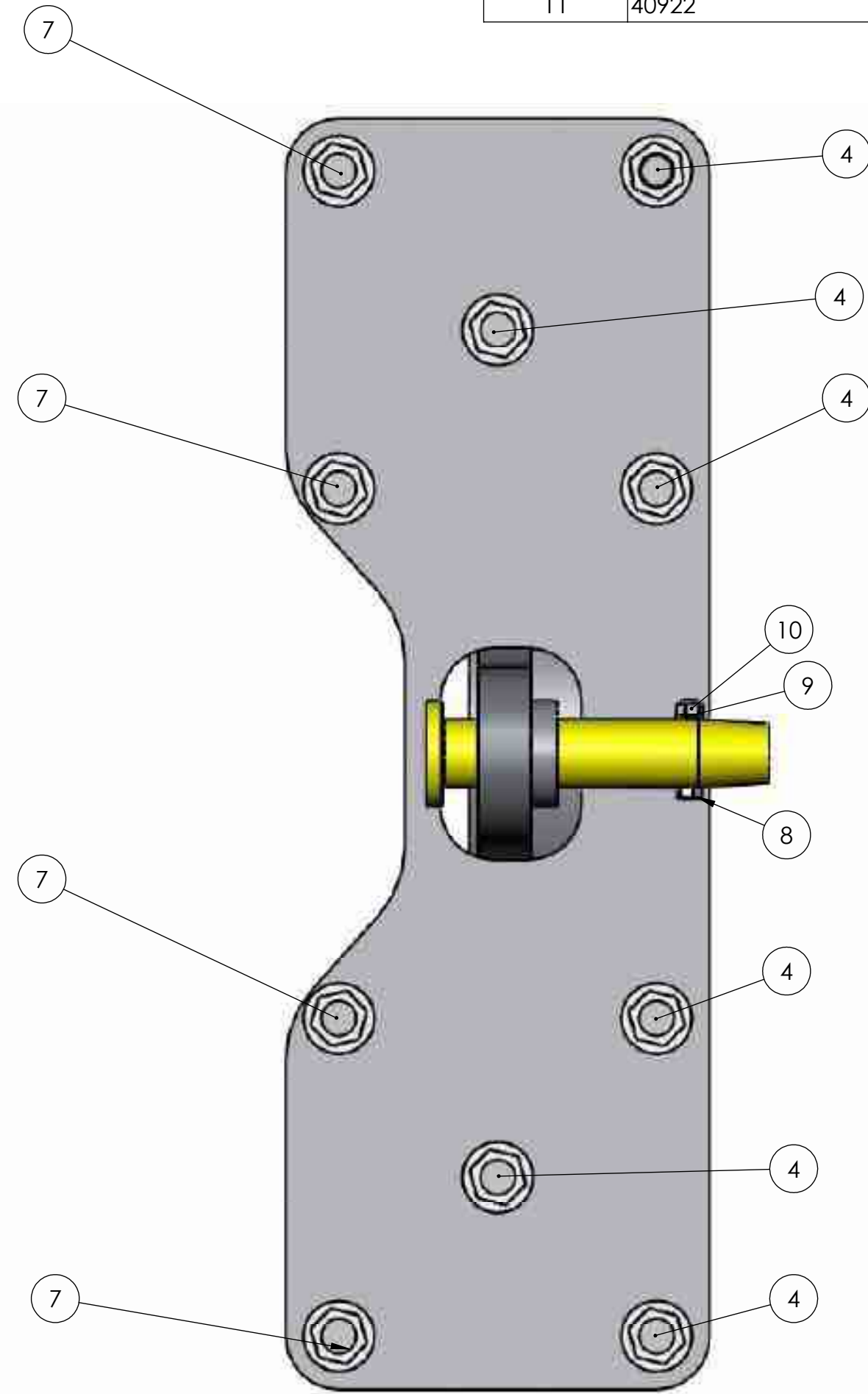
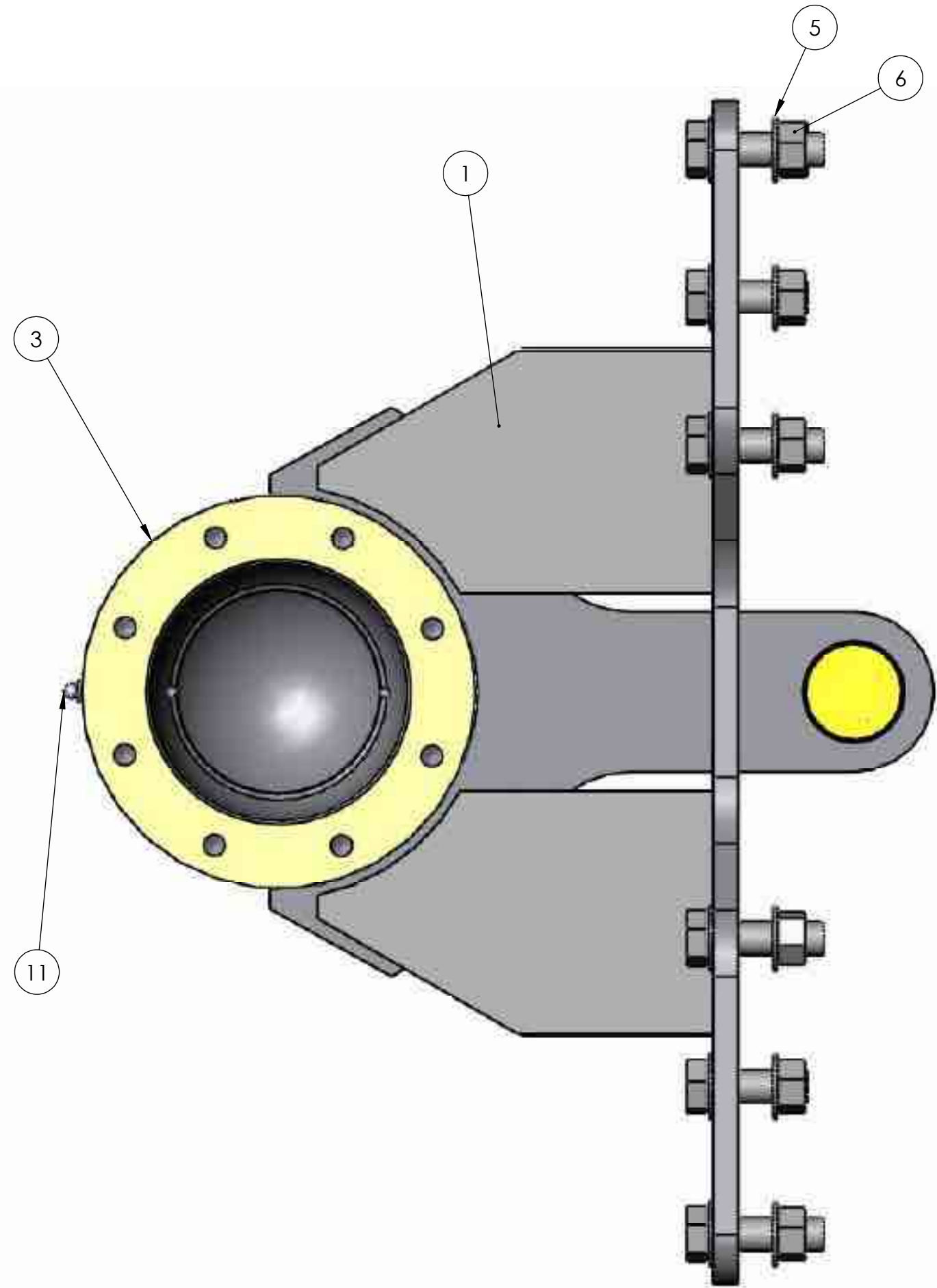
TITLE:  
Tooth Group

**PROPRIETARY AND CONFIDENTIAL**  
THE INFORMATION CONTAINED IN THIS DRAWING IS THE SOLE PROPERTY OF HUMDINGER EQUIPMENT, LTD. ANY REPRODUCTION IN PART OR AS A WHOLE WITHOUT THE WRITTEN PERMISSION OF HUMDINGER EQUIPMENT, LTD. IS PROHIBITED.

S/N CRDA00421 & Up

41765

ITEM NO.	PART NUMBER	DESCRIPTION	QTY.
1	41358	Rear Hitch Weldment--8 Inch	1
2	40350	Pin - Pull RF	1
3	41505	Drawbar Assy--8 Inch Scraper	1
4	1.00-8-3.00	Bolt Grade 8	6
5	FW 1	Grade 8 Washer	20
6	1-8 Heavy Hex Nut	Hex Nut Grade 8	10
7	1.00-8-3.50	Bolt Grade 8	4
8	.4375-14-2.5	Hex Bolt	1
9	.4375 FWN	Flat Washer Narrow	1
10	.4375 -14 Nut	Hex Nut	1
11	40922	Zerk 1/4 NPT Straight	2



**Humdinger Equipment, Ltd.**

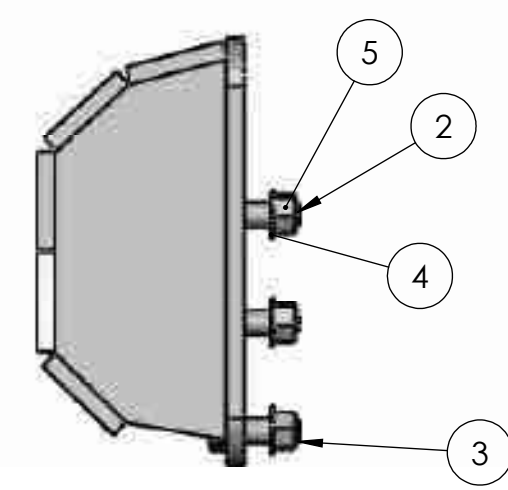
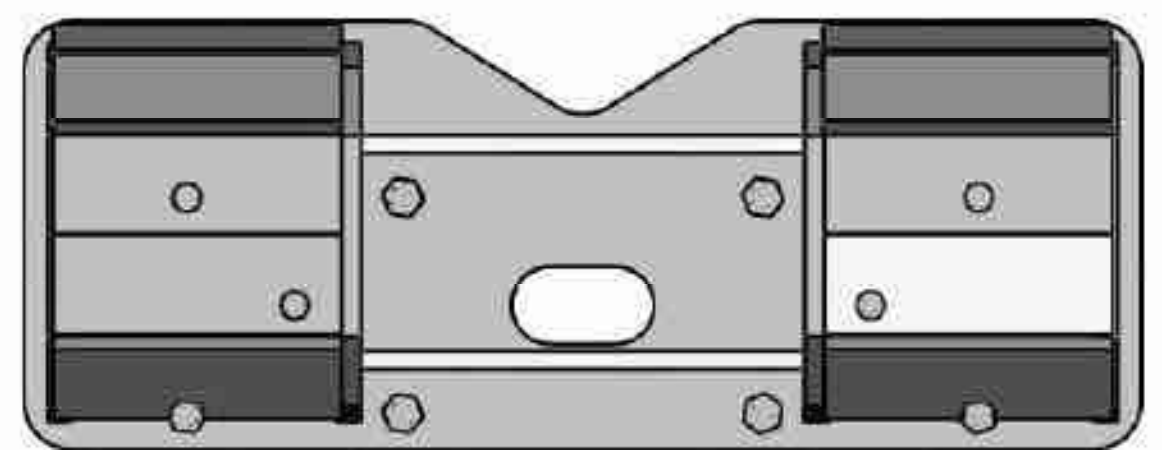
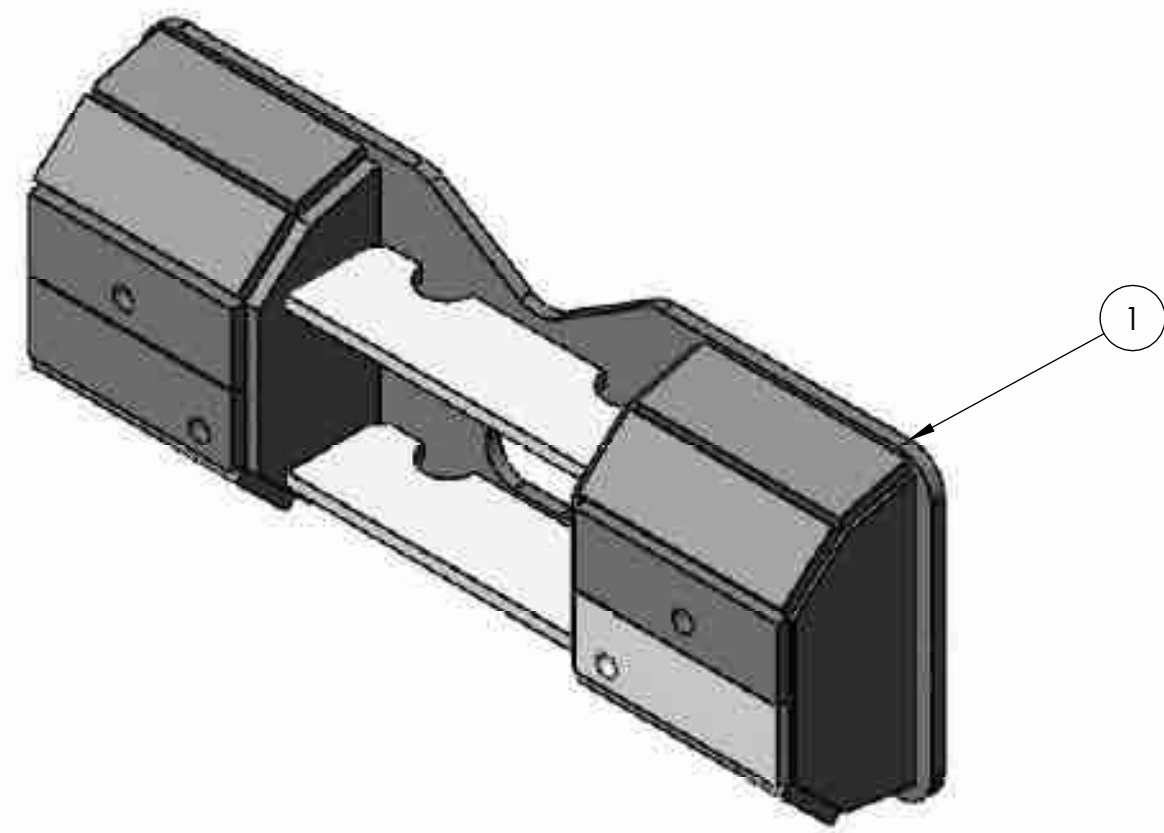
TITLE:  
Scraper Hitch Group--8 Inch

**PROPRIETARY AND CONFIDENTIAL**  
THE INFORMATION CONTAINED IN THIS DRAWING IS THE SOLE PROPERTY OF HUMDINGER EQUIPMENT, LTD. ANY REPRODUCTION IN PART OR AS A WHOLE WITHOUT THE WRITTEN PERMISSION OF HUMDINGER EQUIPMENT, LTD. IS PROHIBITED.

S/N CRDA00421 & Up

41770

ITEM NO.	PART NUMBER	DESCRIPTION	QTY.
1	41465	Bumper Extension	1
2	1.00-8-3.50	Bolt Grade 8	4
3	1.00-8-3.00	Bolt Grade 8	6
4	FW 1	Grade 8 Washer	10
5	1-8 Heavy Hex Nut	Hex Nut Grade 8	10



 **Humdinger Equipment, Ltd.**

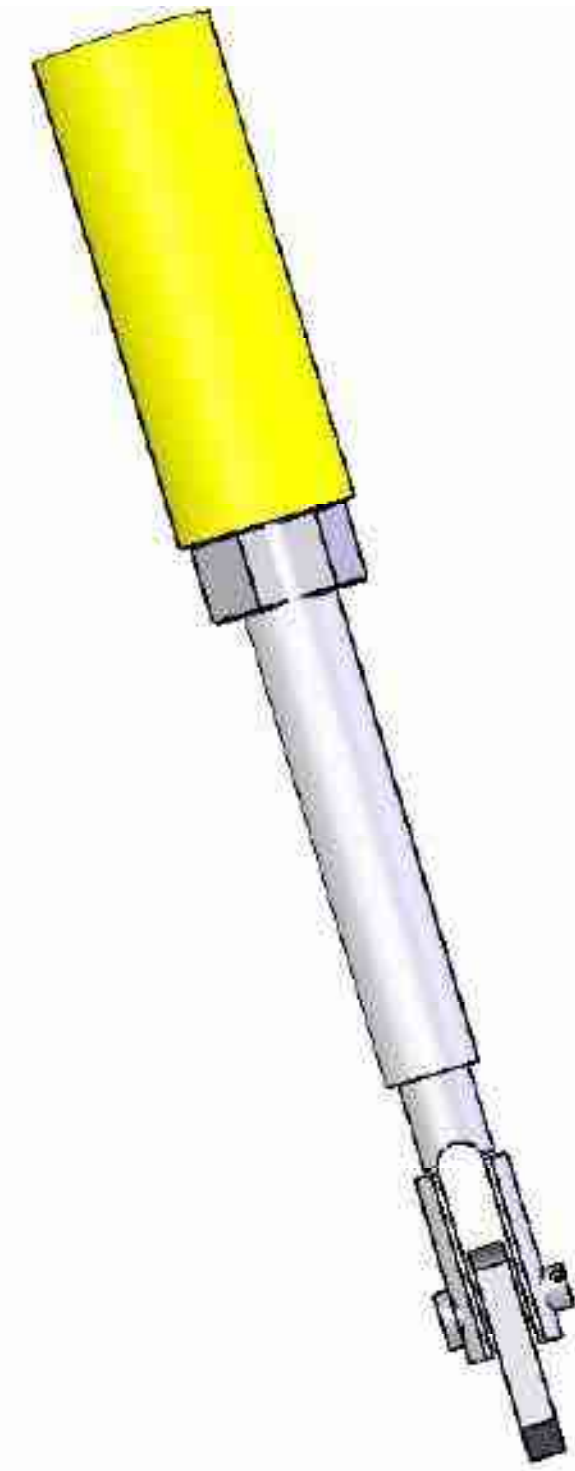
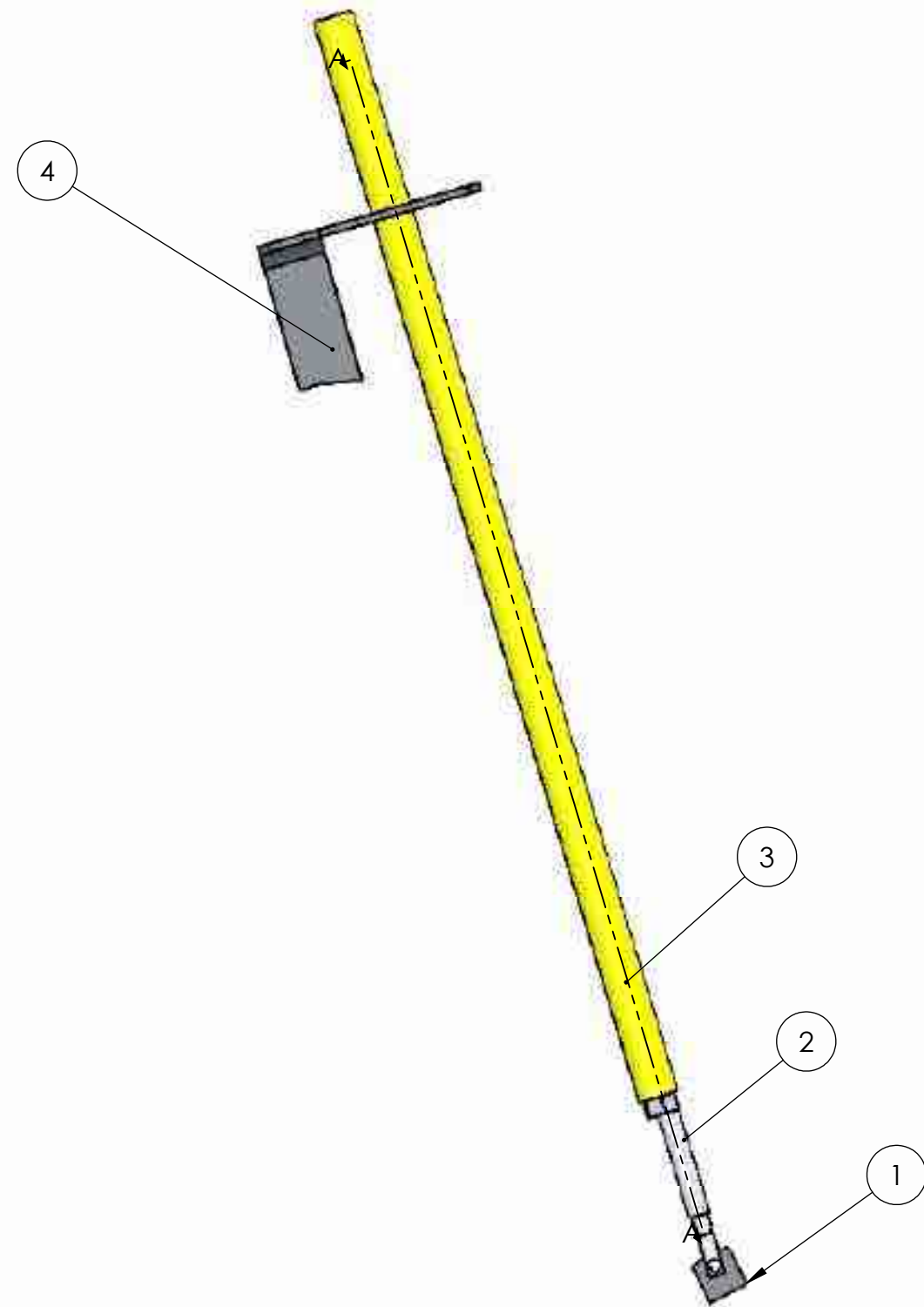
TITLE:  
Push Block Group--Bolt On

**PROPRIETARY AND CONFIDENTIAL**  
THE INFORMATION CONTAINED IN THIS DRAWING IS THE SOLE PROPERTY OF HUMDINGER EQUIPMENT, LTD. ANY REPRODUCTION IN PART OR AS A WHOLE WITHOUT THE WRITTEN PERMISSION OF HUMDINGER EQUIPMENT, LTD. IS PROHIBITED.

S/N CRDA00421 & Up

41674

ITEM NO.	PART NUMBER	DESCRIPTION	QTY.
1	40891	Pivot Block	1
2	40886	Rod Assembly--Depth Gage	1
3	40888	Gage Pipe Assembly	1
4	40890	Gage Mark Plate	1



VIEW A-A  
SCALE 1 : 2

 **Humdinger Equipment, Ltd.**

TITLE:  
Depth Gage Group

**PROPRIETARY AND CONFIDENTIAL**  
THE INFORMATION CONTAINED IN THIS DRAWING IS THE SOLE PROPERTY OF HUMDINGER EQUIPMENT, LTD. ANY REPRODUCTION IN PART OR AS A WHOLE WITHOUT THE WRITTEN PERMISSION OF HUMDINGER EQUIPMENT, LTD. IS PROHIBITED.

S/N CRDA00421 & Up

41771