



Semi Electric Stackers from Bluetruck

Electrically raising and lowering, manually

Our range of HanseLifter [semi electric stackers](#) are ideal for a range of tasks. By purchasing from the E-SDJ series of semi electric hydraulic stackers, you will be equipped with a piece of universal equipment that can handle a wide range of tasks inside the warehouse.

Semi electric hydraulic stackers product description

Our manual hydraulic pallet stackers are suitable for both loading and unloading containers and trucks or for lifting and stacking palletised goods. Our range of E-SDJ semi electric pallet stackers are also great for transporting pallets over short distances. Depending on the model, each of our semi electric stackers have a load capacity of 1.0t or 1.5t and reach lifting heights up to 3500mm.

The integrated charging device allows the battery of the manual hydraulic pallet stacker to be charged easily and conveniently at any outlet. The E-SDJ series semi electric stackers are an ideal cost-effective alternative to forklift trucks.

For more information, or to speak to one of our [Stackers experts](#), simply call us on **01704 898950** or email us at sales@bluetruck.co.uk.

Semi Electric Pallet Stacker

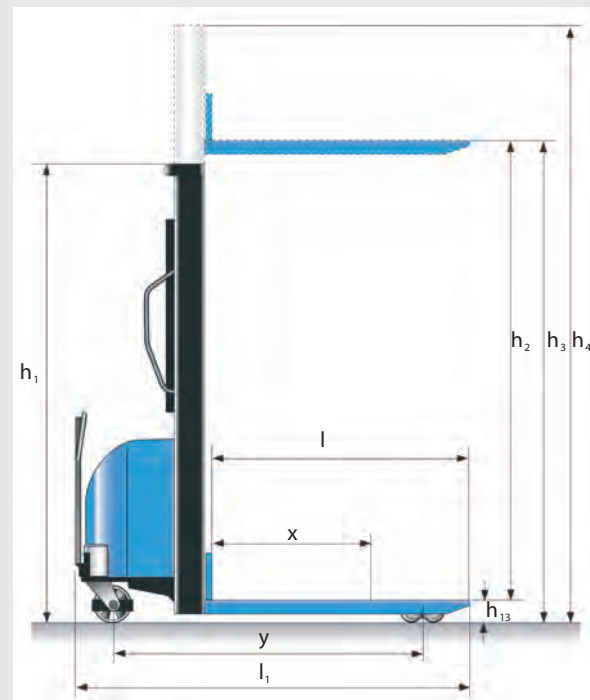
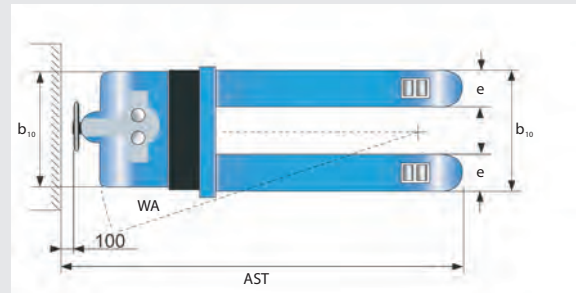
Electric Stacker Series E-SDJ

Technical Datasheet

Kennzeichen Distinguishing Marks	1.1	Hersteller (Kurzbezeichnung) Manufacturer (abbreviation)		HanseLifter	HanseLifter	HanseLifter	HanseLifter
	1.2	Typenzeichen des Herstellers Manufacturers type designation		E-SDJ1016	E-SDJ1025	E-SDJ1030	E-SDJ1516
	1.3	Antrieb (Elektro, Diesel, Benzin, Gas, Netzelektro, Manuell) Driven (Electrical, Diesel Fuel, Petrol Fuel, Gasoline, Manual)		Manuell	Manuell	Manuell	Manuell
	1.4	Bedienung (Hand, Geh, Stand, Sitz, Kommissionierer) Operated (Hand, Pedestrian, Standing, Seated, Order-Picking)		Hand	Hand	Hand	Hand
	1.5	Tragfähigkeit / Last Load Capacity / Rated Load	Q (t)	1,0	1,0	1,0	1,5
	1.6	Lastschwerpunktabstand Load Center Distance	c (mm)	600	600	600	600
	1.8	Lastabstand Load Distance, center of drive axle to forks	x (mm)	680	680	680	730
	1.9	Radstand Wheelbase	y (mm)	1255	1255	1255	1160
	Gewicht Weight	2.1	Eigengewicht Service Weight	kg	353	475	462
Räder, Fahrwerk Tyres, Chassis	3.1	Bereifung (Vollgummi, Superelastik, Luft, Polyurethan) Tyres (Solid Rubber, Superelastic, Pneumatic, Polyurethane)		Polyurethan	Polyurethan	Polyurethan	Polyurethan
	3.2	Reifengröße, vorn Tyre size, front	mm	180x50	180x50	180x50	180x50
	3.3	Reifengröße, hinten Tyre size, rear	mm	74x70	74x70	74x70	74x70
	3.5	Räder, Anzahl vorn/hinten (x=angetrieben) Wheels, number front/rear (x=driven wheel)		2/4	2/4	2/4	2/4
	3.6	Spurweite, vorn Tread, front	b ₁₀ (mm)	660	660	660	660
	3.7	Spurweite, hinten Tread, rear	b ₁₁ (mm)	390	390	390	390
Grundabmessungen Dimensions	4.2	Höhe, Hubgerüst eingefahren Height, Mast lowered	h ₁ (mm)	1980	1830	2080	1980
	4.3	Freihub Free Lift	h ₂ (mm)	1415	100	100	1490
	4.4	Hub Lift	h ₃ (mm)	1515	2415	2915	1515
	4.5	Höhe, Hubgerüst ausgefahren Height, Mast extended	h ₄ (mm)	2030	3020	3515	2000
	4.9	Höhe, Deichsel in Fahrstellung min/max Height of Tiller in Drive Position min/max	h ₁₄ (mm)	790/1155	790/1155	790/1155	790/1155
		Gabelhöhe bei max. Hub Height of Forks at max. Lift		1600	2500	3000	1600
	4.15	Höhe gesenkt Height, lowered	h ₁₃ (mm)	85	85	85	85
	4.19	Gesamtlänge Overall Length	l ₁ (mm)	1720	1720	1720	1790
	4.20	Länge einschl. Gabelrücken Length of Face of Forks	l ₂ (mm)	620	620	620	690
	4.21	Gesamtbreite Overall Width	b ₁ (mm)	760	760	760	760
	4.22	Gabelzinkenmaße Fork Dimensions	s/e/l (mm)	60/180/1100	60/180/1100	60/180/1100	60/180/1100
	4.24	Gabelträgerbreite Fork-carriage width	b ₃ (mm)	645	645	645	645
	4.25	Gabelaußenabstand Distance between Fork Arms	b ₂ (mm)	570	570	570	570
	4.31	Bodenfreiheit mit Last unter Hubgerüst Ground Clearance, laden	m ₁ (mm)	25	25	25	25
	4.32	Bodenfreiheit, Mitte Radstand Ground Clearance, Center of Wheelbase	m ₂ (mm)	30	30	30	30
	4.33	Arbeitsgangbreite bei Palette 1000x1200 quer Aisle width for pallets 1000x1200 crossways	Ast (mm)	2145	2145	2145	
4.34	Arbeitsgangbreite bei Palette 800x1200 quer Aisle width for pallets 800x1200 crossways	Ast (mm)	2175	2175	2175		
4.35	Wenderadius Turning Radius	WA (mm)	1470	1470	1470	1490	
Leistungsdaten Performance Data	5.2	Hubgeschwindigkeit, mit/ohne Last Lifting speed, laden/unladen	mm/s	90/140	90/140	90/140	65/100
	5.3	Senkgeschwindigkeit, mit/ohne Last Lowering speed, laden/unladen	mm/s	120/100	120/100	120/100	85/70
	5.7	Steigfähigkeit mit/ohne Last Gradeability, laden/unladen	%	5/8	5/8	5/8	
	5.10	Betriebsbremse Service Brake		Feststellbremse	Feststellbremse	Feststellbremse	Feststellbremse
E-Motor Electric-engine	6.2	Hubmotor, Leistung bei S3 15% Lift motor rating at S3 15%	kW	1.5	1.5	1.5	1.5
	6.3	Batterie nach DIN 43531/35/36 A,B,C, nein Battery acc. to DIN 43531/35/36 A,B,C, no		nein/no	nein/no	nein/no	nein/no
	6.4	Batteriespannung, Nennkapazität K _s Battery voltage, nominal capacity K _s	V/Ah	12V/150Ah	12V/150Ah	12V/150Ah	12V/150Ah
	6.5	Batteriegewicht Battery weight	kg	45	45	45	45

HanseLifter	HanseLifter	HanseLifter
E-SDJ1525	E-SDJ1530	E-SDJ1535
Manuell	Manuell	Manuell
Hand	Hand	Hand
1,5	1,5	1,5
600	600	600
730	730	730
1160	1160	1160
490	436	580
Polyurethan	Polyurethan	Polyurethan
180x50	180x50	180x50
74x70	74x70	74x70
2/4	2/4	2/4
660	660	660
390	390	390
1780	2030	2280
100	100	100
2415	2915	3415
3040	3520	4020
790/1155	790/1155	790/1155
2500	3000	3500
85	85	85
1790	1790	1790
690	690	690
760	760	760
60/180/1100	60/180/1100	60/180/1100
645	645	645
570	570	570
25	25	25
30	30	30
1490	1490	1490
65/100	65/100	65/100
85/70	85/70	85/70
Feststellbremse	Feststellbremse	Feststellbremse
1.5	1.5	1.5
nein/no	nein/no	nein/no
12V/150Ah	12V/150Ah	12V/150Ah
45	45	45

DIMENSIONS



FEATURES

- Supports up to 1.0t or 1.5t (depending on model)
- Heights up to 3.5m
- Stepless, electrical lifting and lowering
- Rubberised handles for better grip
- Chain steering system for easy manoeuvring
- Robust parking brake on a steering wheel for one safe stand
- Plexiglas protection screen for maximum safety
- Easy to charge at every socket (230V)
- Integrated charger and low maintenance- battery