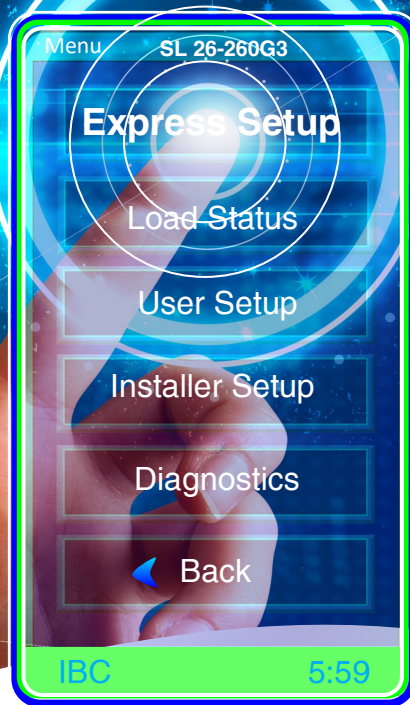


## More Features



### **IBC** Better Boilers



## **SL 26-260G3**

26,000 to 260,000 BTU/H

### Residential / Commercial Condensing Boiler

- **Touch Screen V-10 Boiler Control**  
Express set up, Remote monitoring & diagnostics, Easy USB programmability, Optional true native BACnet, Intuitive alert system
- 95% A.F.U.E.
- Built-in CSA/UL approved LWCO and manual reset high limit.
- With 24 boilers turndown ratio is 240:1 = min. firing rate range is 26,000 Btu/h all the way up to 6.24 million Btu/h in 1000 Btu/h increments.
- PVC/CPVC/PPs approved - venting up to 400 feet.
- Built-in multiple zone pump control - up to 4 zones replacing the need for external pump controls.
- Built-in outdoor reset control of water temperature.
- **MFZ** Technology: Patented moisture management system. Protects and ensures long life for all components in the boiler.
- DDC Control 0-10 VDC or 4-20 mA without additional controls.
- The most advanced stainless steel fire tube boiler on the market today.
- Reverse flow detection.
- Very low water side and combustion side pressure drops.
- Connect your IBC Indirect Water Tank directly to the boiler without a primary loop.
- Unmatched safety features.
- Easier to install and service.
- Limited lifetime residential heat exchanger warranty.



### **V-10 PORTAL**

A secure method of remotely managing your SL Boiler from any location.

### **Boiler control on the go!**

**Your Local IBC Experts:**  
Francis Plumbing & Heating ClimateCARE  
phone: 613-224-0041  
email: [office@francisplumbing.com](mailto:office@francisplumbing.com)  
chat on our website: [www.FrancisPlumbing.com](http://www.FrancisPlumbing.com)

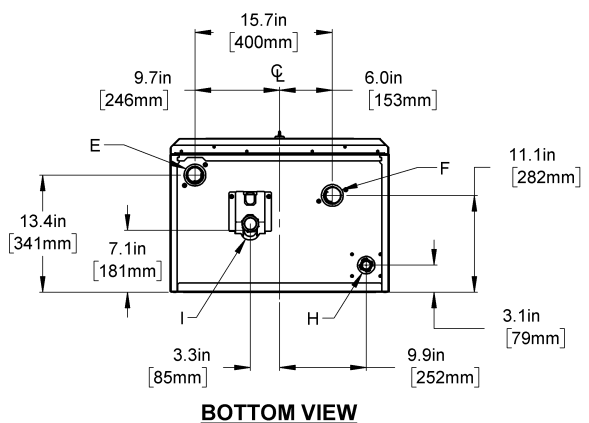
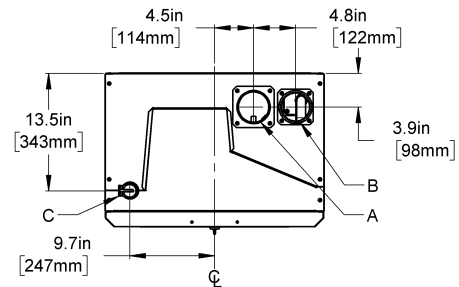
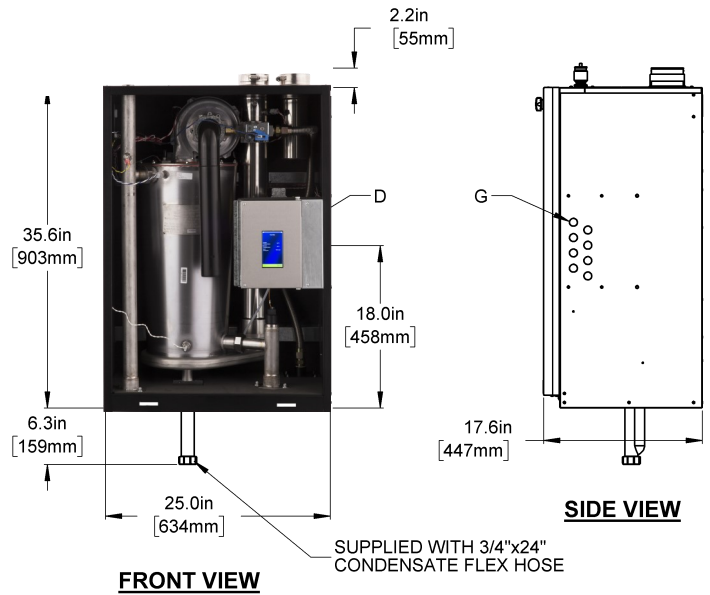
Specifications	SL 26-260G3
CSA Input (Natural Gas or Propane *) - MBH	26 - 260
CSA Input (Natural Gas or Propane *) - KW	7.62 - 76.2
CSA Output - MBH	24.9 - 239
CSA Output - KW	7.31 - 70.0
A.F.U.E.	95%
Min gas pressure (NG or Propane) - inch w.c.	4
Max gas pressure (NG or Propane) - inch w.c.	14
Ambient temperature - Low (°F/°C)	32°F / 0°C
Ambient temperature - High (°F/°C)	122°F / 50°C
Max relative humidity (non-condensing)	90%
Min water temperature	34°F / 1°C
Max programmable water temperature limit	190°F / 88°C
Max water temperature lockout limit	201°F / 94°C
Max ΔT - supply / return (electronic fence)	40°F
Power use (120Vac/60Hz) - Watts @ full fire - Watts	127 (less pumps)
Weight (empty) - lbs/Kg	162 / 74
Pressure vessel water content - USG/Liters	4.64 / 17.6
Heating Surface Area - ft <sup>2</sup> / m <sup>2</sup>	22.71 / 2.11
Max boiler flow rate - USgpm	25
Min boiler flow rate - USgpm	6
Max operating pressure - psig	30
Min water pressure - psig	8
Approved installation altitude - ASL	0 - 12,000'
Maximum equivalent vent length, each side (Natural Gas or Propane)	3" 200'
<b>Air intake options: either direct vent or indoor supply</b>	

Fuel Conversions: NG boilers require an LP conversion kit - Part #P300 to be ordered separately if converting a boiler from NG to LP. LP boilers require a NG conversion kit - Part #P301 to be ordered separately if converting a LP boiler to NG.

Description	SL 26-260G3
A Exhaust outlet	3" Schedule 40
B Combustion air	3" Schedule 40
C Safety relief valve & air vent	3/4" NPT - F
D Touchscreen display	2-1/4" x 4"
E Water outlet	1 1/2" NPT - M
F Water inlet	1 1/2" NPT - M
G Knock-outs (8)	1/2"
H Gas inlet	3/4" NPT - F
I Condensate outlet	3/4" Hose

Exhaust pipe size	Maximum equivalent length
<b>Sched.40; Rigid PPs</b>	
3"	200'
90° Vent elbow	allow 8' equivalent
90° Long sweep elbow	allow 5' equivalent
45° Elbow	allow 3' equivalent
PPs 87-90° Elbows	use 8' equivalent
3" SS Sidewall Terminal (SST)	allow 20' equivalent of 3" sched. 40
<b>Flexible PPs</b>	
3" Flexible	60' (max.) lineal x 3.33 = equivalent

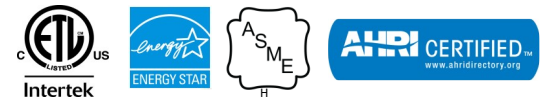
Surface	Distance from combustible surfaces	Recommended distance for installation and service
Front	2"	24"
Rear	0"	0"
Left side	1"	0" (to non-combustibles)
Right side	1"	4" (for electric and gas if required)
Top	2"	6" (for vent connection)
Bottom	0"	12" (for condensate trap and piping)



Boiler Head Loss					
Flow rate (gpm)	6	10	15	20	25
Head loss @ flow (ft wc)	2'	3.5'	5.5'	8'	13'

Pressure vessel head loss

[www.ibcboiler.com](http://www.ibcboiler.com)



As part of our continuous product improvement, IBC reserves the right to change specifications and design without notice.