

WATER WATCH INSTALLATION INSTRUCTIONS (MAINS)

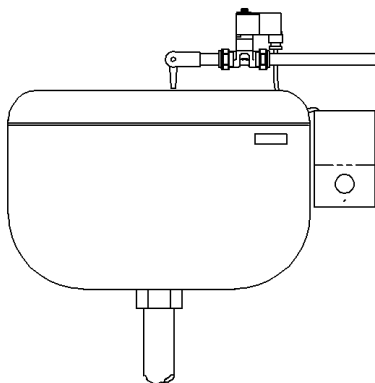
Please read these instructions carefully

Description of Operation

The valve controls the water supply to the cistern and is electrically operated by the Water Watch controller. The controller detects individuals using the urinals. A flush cycle starts with a detection followed by a delay (20min default) set by the installer and then followed by a flush. At the end of a cycle the controller waits for a further detection before the next flush cycle commences. If a period of 24 hours (or 12 hrs) elapses without detection a flush will occur.

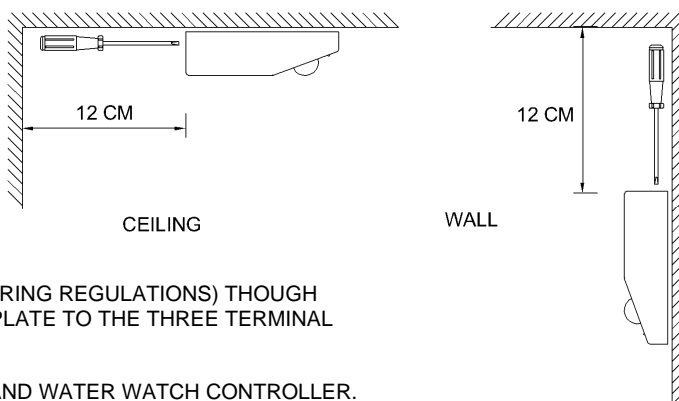
- 2 CUT PIPE AND FLUSH OUT WITH WATER**
FIT VALVE HORIZONTALLY (VERTICALLY IN DIRECTION OF ARROW)
LEAVING THE PETCOCK IN PLACE

NOTE: VALVE ACTUATOR CAN BE ROTATED BY REMOVING THE PLASTIC SPLIT WASHER



- 1 ISOLATE SUPPLY**

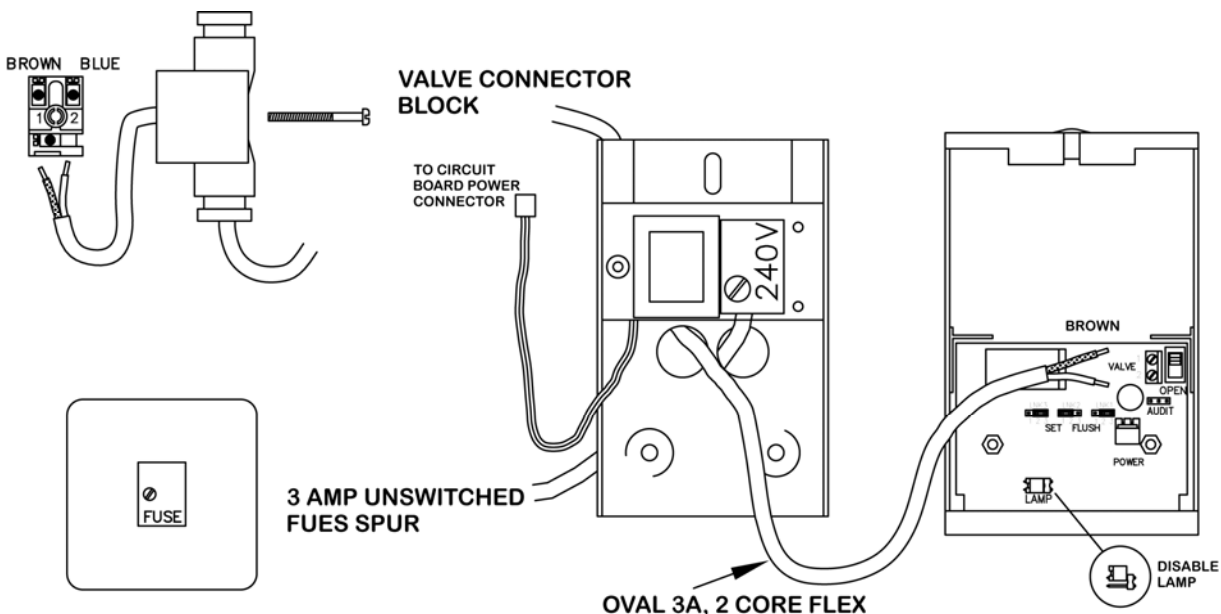
- 3 SELECT A POSITION FOR THE WATER WATCH NEAR THE URINALS WHERE IT WILL DETECT USE. ATTACH BASE PLATE TO WALL/CEILING. THE CONTROL BOX HOOKS UNDER THE BOTTOM EDGE AND IS RETAINED BY RAISING THE HEAD OF THE INTERNAL SCREW**



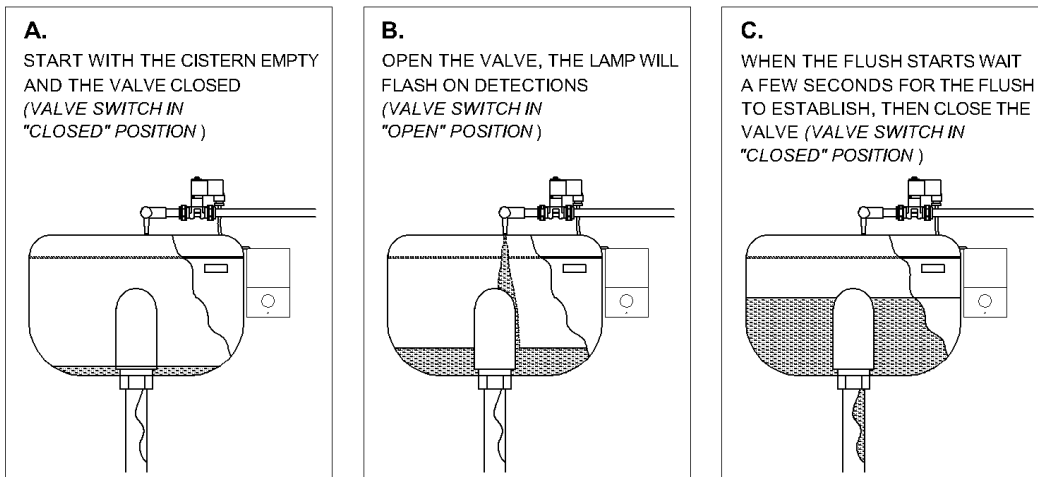
- 4 RUN THE MAINS CABLE (FOLLOWING WIRING REGULATIONS) THROUGH THE CABLE ENTRY HOLE IN THE BACK PLATE TO THE THREE TERMINAL CONNECTOR BLOCK**

CABLE BETWEEN VALVE CONNECTOR AND WATER WATCH CONTROLLER. LEAVE A SMALL LOOP INSIDE THE CONTROLLER SO THE LID CAN BE DETACHED FROM THE MOUNTING PLATE. CONNECT THE LOW VOLTAGE LEAD TO THE CIRCUIT BOARD CONNECTOR MARKED "POWER"

NOTE: ALTERNATIVELY FEED CABLE THROUGH TOP CABLE BLAND AND USE TRUNKING



FOLLOW THESE THREE STEPS TO SETUP THE WATER WATCH



THE TIME TAKEN FOR THE CISTERN TO FILL DURING SETUP IS STORED AND USED ON ALL SUBSEQUENT AUTOMATIC FLUSHES.

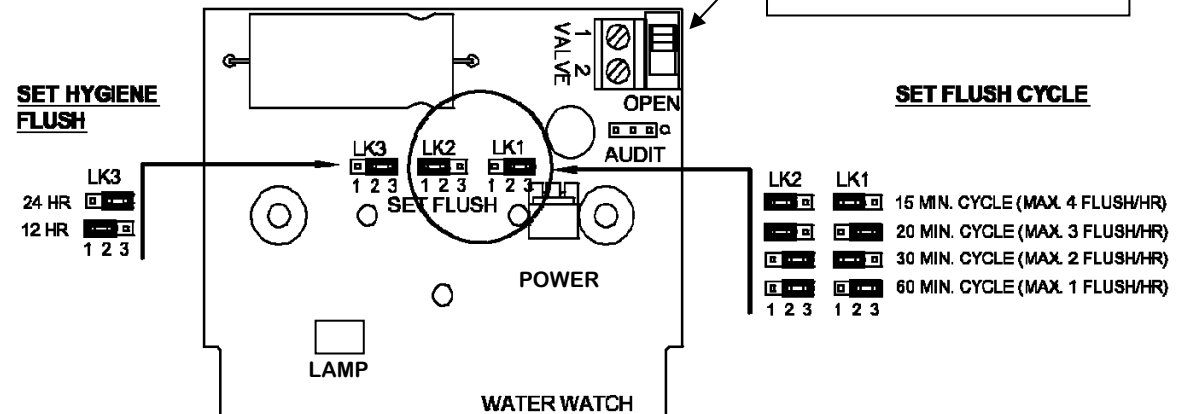
THE WATER WATCH IS NOW FULLY OPERATIONAL! – CLOSE THE LID.

THE SWITCH MUST NEVER BE LEFT IN THE "OPEN" POSITION.

THE LAMP WILL FLASH ON OCCUPANCY DETECTION. TO DISABLE THE LAMP MOVE THE SHORTING LINK AS SHOW IN STEP 4.

CHANGING THE FLUSH SETTINGS

MOVE THE SHORTING LINKS TO THE POSITIONS SHOWN BELOW :-



Designed & Manufactured in the UK by :-
Marnic Technology Ltd
 Unit 4, Station Road, Reddish Stockport, Cheshire, SK5 6ND
 Tel : 0161 431 3662, Fax : 0870 838 1038
 E-Mail : sales@marnictechnology.co.uk
www.waterwatch.co.uk

