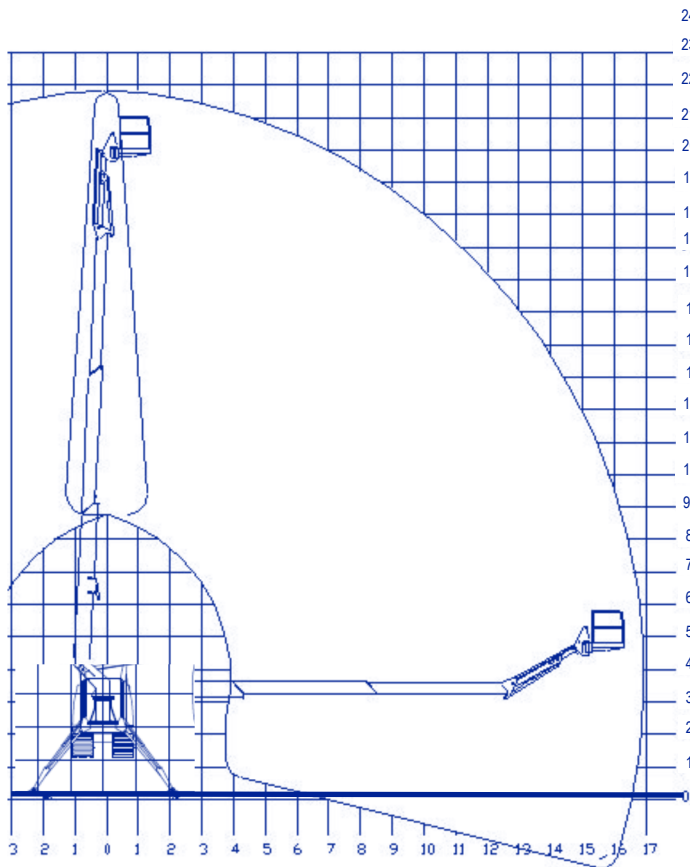


22m working height telescopic boom with jib on 10t tracked carrier



22m working height telescopic boom with jib on 10t tracked carrier

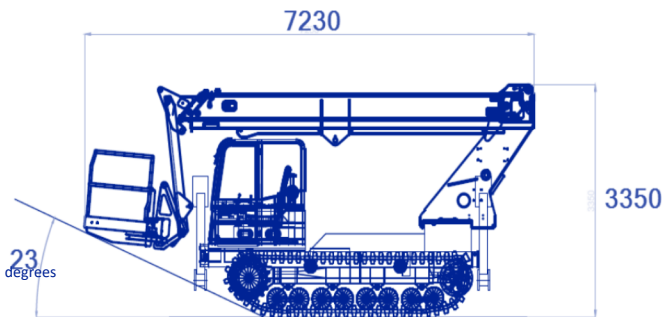


KEY SPECIFICATIONS

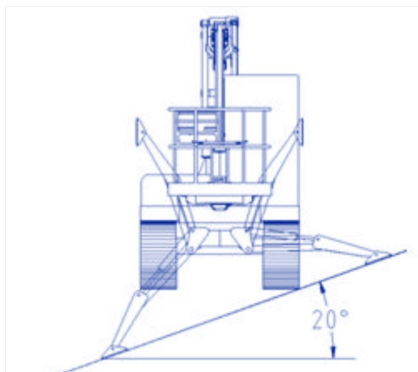
Maximum working height	22.0m
Horizontal reach	17.0m
SWL in platform (2 person)	280kg
Platform size (1.1m high)	1.0 x 1.8 m
Turret rotation - full width jacking.....	360 deg.
Max. transverse operating slope	20 deg.
Max. gradeability	30%
Max. travel speed	12 kmh
Stabiliser spread	3.6m
Travel width	2.3m
Total weight	10000kg
Ground contact area*	3.57 sq.m.

STANDARD FEATURES

- Direct hydraulic proportional controls at cage and base
- 160 degree powered cage rotation
- Four independently adjustable hydraulic stabilisers
- Three section all steel telescopic boom
- 1.9m long jib with 125 degree working arc
- Structural quality tubular aluminium cage
- Emergency lowering handpump
- Enclosed ROPS/FOPS cab
- Powerful 96.5kW 4-cylinder CAT diesel engine



Typical dimensions—Morooka MST800



TYPICAL CARRIERS

Morooka MST800