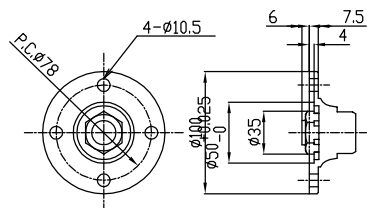
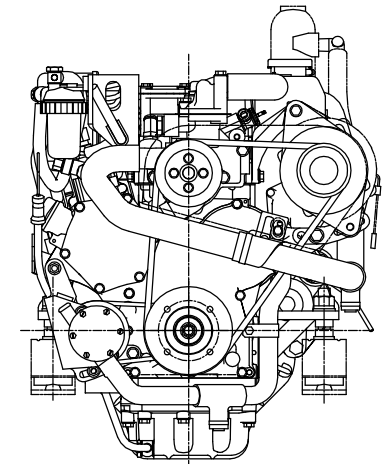
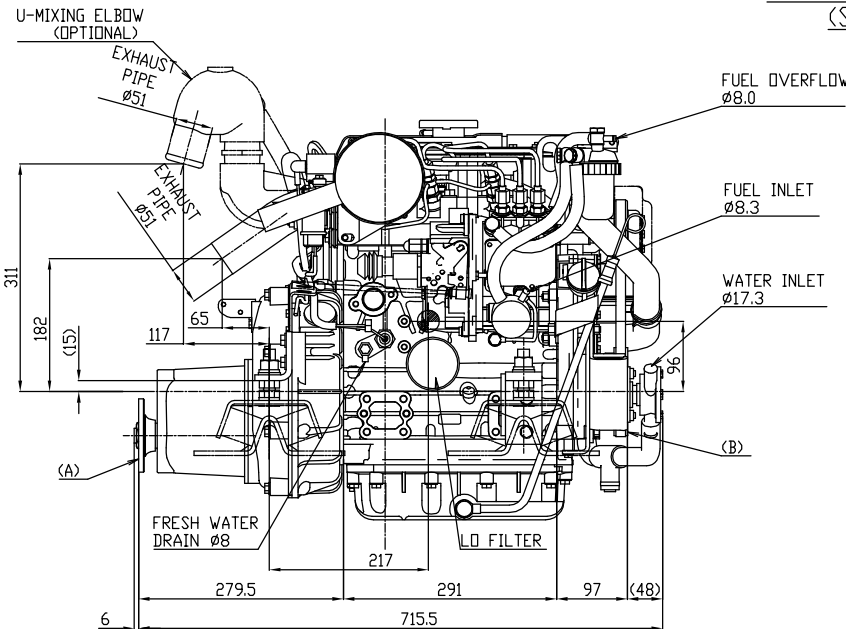
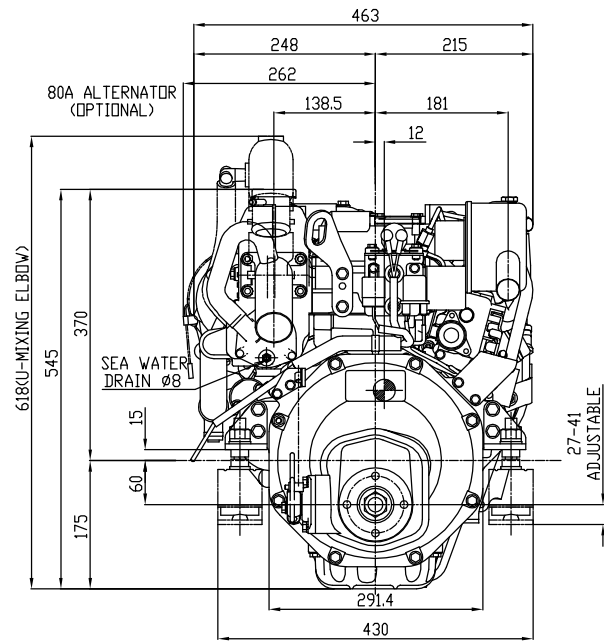


DETAIL OF PULLEY(B)
(SCALE 1:3)



DETAIL OF COUPLING(A)
(SCALE 1:3)

NOTE
 1. DWG. SHOWS MOUNTING BLOCKS AT ORIGINAL HEIGHT.
 2. ENGINE WEIGHT WILL COMPRESS BLOCKS BY 4.5mm (APPROX.).
 3. MOUNTING BLOCKS ARE EQUIPPED FOR STANDARD ACCESSORY.
 4. ⊕ SHOWS CENTER OF GRAVITY.
 5. ALL DIMENSIONS ARE IN MILLIMETERS.

| | | |
|-----------------------|--|-------------------------|
| Scale 1/5 (1/3) | YANMAR MARINE INTERNATIONAL 24 April 2005 | YM-3YM30 WITH KM2P-1 |
| GROUP, USER=EM2, MT01 | | |