

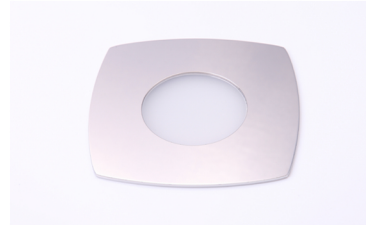
**LUMEN 630 Range. FULLY DIMMABLE, 6.2W LED LIGHT ENGINE**



ARIES



PLUTON



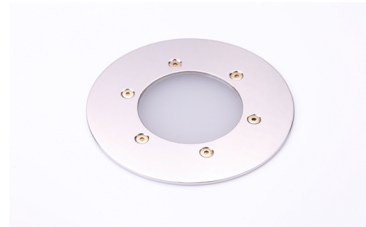
HELIOS



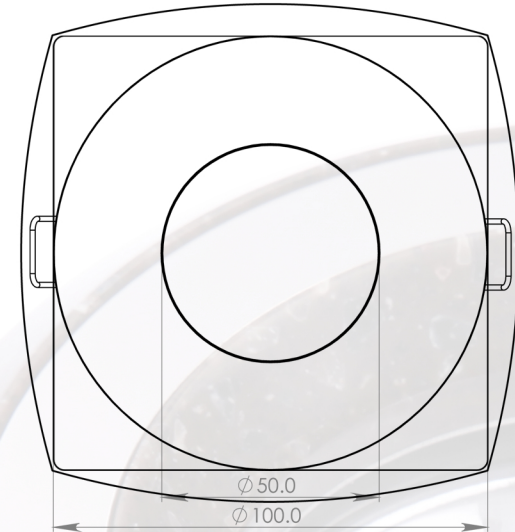
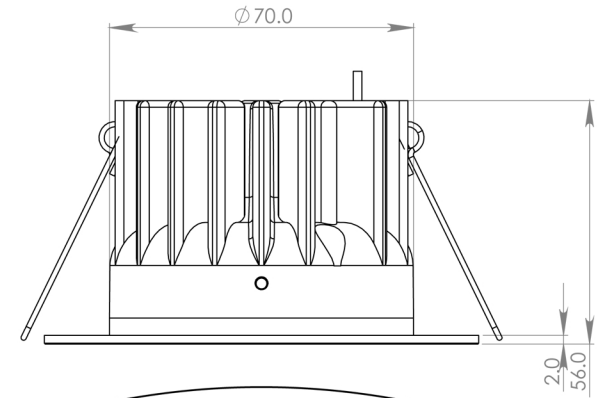
AQUARIO



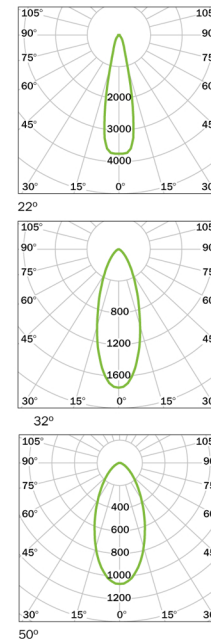
SOLA



LUA



Finishes	Polished 316 / Brushed / White / Gold / Custom		
Lens Options	22° / 32° / 50° / 50° Clear or Diffused		
Light Output Comparable to	35w MR16 Dichroic / 50w GU10		
LED Power Consumption	6.2w		
Luminaire Consumption	7w		
LED Lumen Output	629Lm @ 3000k		
Minimum CRI Level	Ra 83		
Actual Delivered Lumens @	22°	32°	50°
2700k	508Lm	485Lm	485Lm
3000k	541Lm	515Lm	515Lm
4000k	576Lm	549Lm	549Lm
6500k	616Lm*		
Lifespan > 70% Output	50,000Hrs		
Luminaire Forward Voltage	9.3Fv Typical - Max 10.5Fv		
Constant Current	700m/a		
Lumens P/W Efficacy @	69.7 / 74.1lm / 78.9lm/cW		
2700k / 3000k / 4000k			
Compatible Voltage supply	24v DC / 120v - 240v AC with LED Driver		
Lumen Maintenance Category	Cree LEDs Cat 1 / Code 9		



The LUMEN 630, Fully Dimmable 6.2w LED Light Engine with 7 LED Cluster. Available with six different bezel options and three beam angle options. The Lumen 630 is a step up from the 550 light engine. Utilising 7 x Cree XPG LEDs, the 630 boasts an average efficacy ratio of 74.1lm per Watt. The 630 range come fully barcoded from our factory so we know exactly what finish and colour temperature you receive. Future replacements can then be matched exactly without colour temperature discrepancies. The LUMEN 630 Range also comes complete with a 5 year warranty. Please inquire for custom sizes, finishes and concept designs.

\*Subject to MOQ