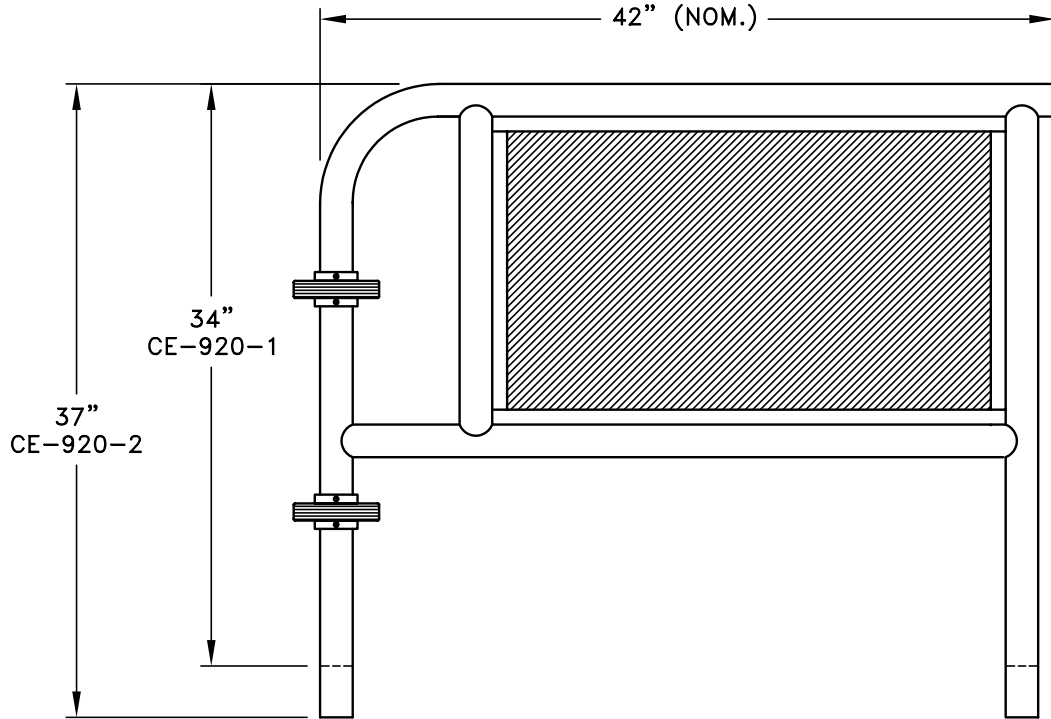


REQUESTS FOR CUSTOM DIMENSIONS AND MATERIALS ARE ALWAYS WELCOME



GENERAL DESIGN SPECIFICATIONS	
RAILING	304 ALLOY STAINLESS STEEL OUTER TUBE WITH CARBON STEEL STRUCTURAL INNER TUBE CONTINUOUS WELDS, POLISHED AND BLENDED 6" CENTERLINE RADIUS
FINISH	MIRROR POLISH OR SATIN GRAIN
PANEL	1/4" KYDEX WITH HAIRCELL SURFACE BOTH SIDES.
BUMPER WHEEL	5" O.D. X 1" HIGH BLACK MOLDED, ADJUSTABLE
MOUNTING	CORE DRILL AND INSTALL WITH NON-SHRINK EPOXY GROUT PART NUMBER SUFFIX '-F' FOR SURFACE MOUNTING. WELDED PLATES WILL BE ADDED TO LEGS FOR INSTALLATION WITH EXPANSION BOLTS



**OPTION '-EA'
ENGRAVED ARROW PANEL**

This drawing and information is the property of Curran Engineering Co., Inc. and is considered confidential. It may not be reproduced or copied without written permission of CURRAN ENGINEERING CO., INC.

©2007 - CURRAN ENGINEERING CO., INC.

MATERIAL: 1-7/8"Ø ST. STEEL		FINISH: PER SPECIFICATION	WEIGHT: 36 LBS. Approx.		
DIMENSIONAL TOLERANCES UNLESS NOTED OTHERWISE		TITLE CE-920 STAINLESS STEEL TUBULAR GUIDE RAIL	CURRAN ENGINEERING COMPANY, INC. 28727 INDUSTRY DRIVE VALENCIA, CA 91355 TELEPHONE (800) 643-6353 FACSIMILE (877) 782-5979		
FRAC.	DEC.		ANG.		
±1/8"	±0.125"		±1°		
SCALE NTS	NO. REQ. 1	DRAWN: PSC DATE 02/12/2007	SIZE	DRAWING NUMBER	ISSUE
NEXT ASSY.		CHECKED: DMC DATE 02/15/2007	A	10162 CE-920	1
		APPROVED: PSC DATE 02/15/2007			