

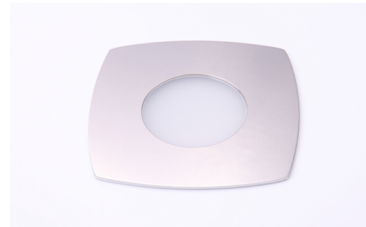
LUMEN 525 Range. FULLY DIMMABLE, 6.4W LED LIGHT ENGINE



ARIES



PLUTON



HELIOS



AQUARIO



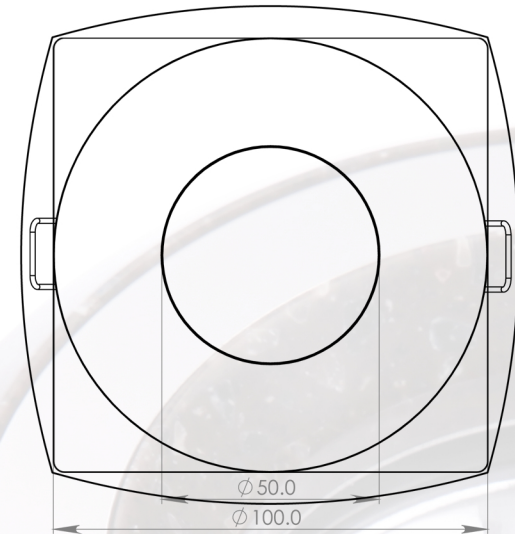
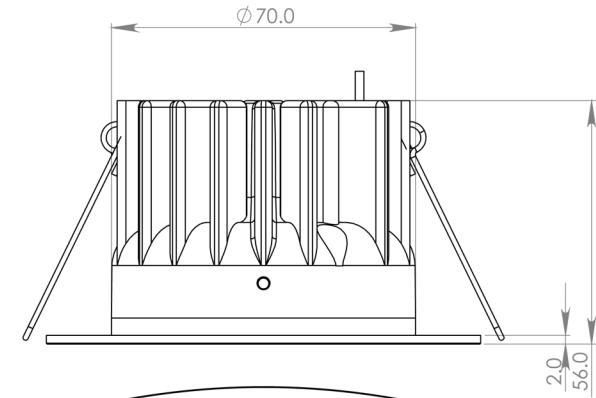
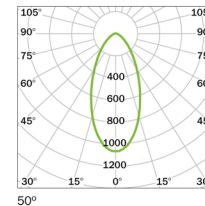
SOLA



LUA

Finishes	Polished 316 / Brushed / White / Gold / Custom
Lens Options	50° Clear / 50° Diffused
Light Output Comparable to	35w MR16 Dichroic / 50w GU10
LED Power Consumption	6.4w
Luminaire Consumption	8.5w @25°C Ambient
LED Lumen Output	525Lm
Minimum CRI Level	80
Actual Delivered Lumens @	50° Beam Angle
2700k	403Lm
3000k	431Lm
4000k	459Lm
Lifespan > 70% Output	50,000Hrs
Luminaire Forward Voltage	18Fv Typical - Max 21Fv
Constant Current	350m/a
Lumens P/W Efficacy	47.2 / 50.5 / 53.8Lm
27000k / 3000k / 4000k	
Compatible Voltage supply	24v DC / 120v - 240v AC with LED Driver*
Lumen Maintenance Category	Cree LEDs Cat 1 / Code 9

*240v Driver included with Chosen Light



The LUMEN 525, Fully Dimmable 6.4w LED Light Engine. Available with six different bezel options with fixed 50 degree beam angle. The Lumen 525 is our standard light engine and boasts an average efficacy ratio of 50.5Lm per Watt. The 525 range come fully barcoded from our factory so we know exactly what finish and colour temperature you receive. Future replacements can then be matched exactly without colour temperature discrepancies. The LUMEN 525 Range also comes complete with a 2 year warranty. Please inquire for custom sizes, finishes and concept designs.