

TS10A, 1"

Anodized Aluminum, Mechanical

- Only two moving parts
- No metal to metal contact in chamber or bearings
- Patented 'Wave Form' oval gear design
- Low differential pressure for maximum flow

Specifications

- **Nominal Capacity with standard LV rotors:**

To 1500 SSU visc. :	40 GPM	} <i>NTEP</i> 5:1 turn-down <i>Industrial</i> to 30:1 turn-down
To 300 cP viscosity :	150 lpm	
To 300 cP viscosity :	9 m³/h	
- **Pressure Rating** : 150 PSI at 100°F = 10 BAR at 40°C
with 3:1 Safety Factor
- **Temperature Rating** : -40°F to +180°F = -40°C to +80°C
- **Viscosity**
 - LV & HT rotors: 100% capacity to 1,500 SSU (300 cP).
 - HV rotors : 100% capacity to 5,000 SSU (1000 cP),
reduced capacity to 1,500,000 SSU (350,000 cP).
- **1" Connections** Bolted companion flanges with NPT or BSP port.
Optional : Bolted welding flanges, anodized aluminum
Bolted welding flanges, carbon steel
Bolted 150# RF ANSI adaptors, carbon steel
- **Materials** **100% non-ferrous**
 - Case : Anodized aluminum
 - Gears : PPS with carbon bearings, Teflon™ bearings opt.
 - Posts : HC303SS
 - Seals : Viton™ standard, Teflon™ optional.
 - Flanges : Anodized aluminum standard, carbon steel opt.
- **Pulsar** None
Optional : 10:1 dry reed on mechanical register
100:1 solid state on mechanical register.
- **Pulse Resolution**

	10:1	100:1
1/10 gallon register	10 PPG	100 PPG
1/10 liter register	10 PPL	100 PPL



TS10AV04ATCBMS
With mechanical register

Meter Performance

- **Linearity** Over 5:1 turn-down from max. capacity: ±0.175%
Over 10:1 turn-down from max. capacity: ±0.25%
Over 30:1 turn-down from max. capacity: ±0.5%
- **Repeatability** 0.05% or better under constant conditions
- **Approvals** Custody Transfer approvals are liquid specific.
W&M approval in the US.
- **Flow Meter** CE mark.

Registration & Accessories

- **Registration options:**
 - Register : #7887 standard (5 digit reset & 8 digit totalizer)
#7886 optional (6 digit reset & 8 digit totalizer).
 - Calibration : 1/10 gallon standard,
1/10 liter optional.
- **Accessories** If strainer, air eliminator and/or preset valve are required, please see model TS15A.

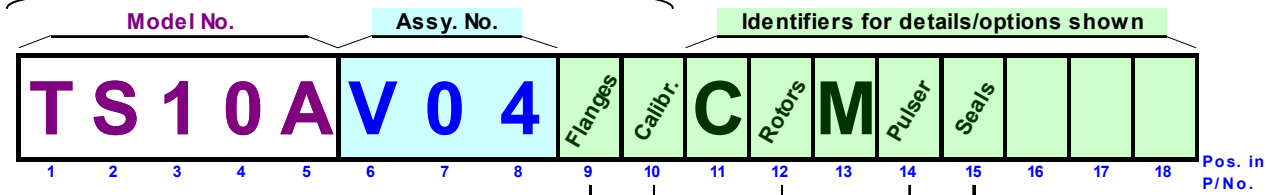


ISO 9001:2000 Certified



Part No.

The Part No. extends past Pos. 10 only if non-standard selections are made (rotors, pulser or seals).



Companion flanges

- A = 1" NPT port
- B = 1" BSP port
- F = 1½" alum slip-weld

Calibration

- T = 1/10 gallon
- Y = 1/10 liter

Rotors & Bearings

- B = LV, PPS/carbon
- L = HT, PPS/carbon
- I = HV, PPS/carbon
- C = LV, PPS/Teflon
- M = HT, PPS/Teflon
- J = HV, PPS/Teflon

Pulser

- X = none
- D = 10:1
- S = 100:1

Seals

- A = Viton
- B = Teflon

Highlighted = Standard



Tuthill Transfer Systems,
P.O.Box 400,
Tickfaw, LA 70466, USA

Phone: 985-542-5200
888-578-3258
Fax: 985-542-7394
E-mail: FPPWebInquiries@tuthill.com

International offices:

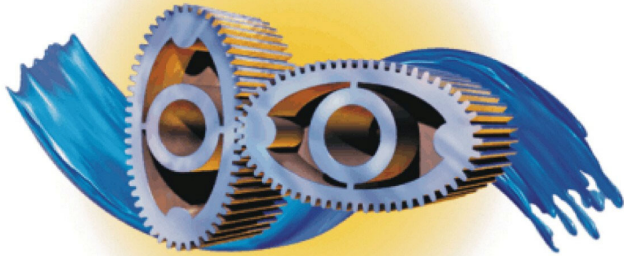
	Phone	Fax
Europe, Middle East & Africa	+44 (115) 932-5226	+44 (115) 932-2526
Mexico	+52 (81) 8355-5535	+52 (81) 8355-5534
Caribbean/Central America	+54 (11) 4866-5641	+54 (11) 4866-5641
South America	+54 (11) 4866-5641	+54 (11) 4866-5641
Australia/Pacific Rim	+61 (3) 9720-6533	+61 (3) 9720-6880
China	+86 (21) 5385-3369	+86 (21) 5385-3365

Distributed by:

[Empty box for distributor information]



FPP METERS Lower Cost of Ownership!



TS15A, 1 1/2"

Anodized Aluminum, Mechanical

- Only two moving parts
- No metal to metal contact in chamber or bearings
- Patented 'Wave Form' oval gear design
- Low differential pressure for maximum flow

Specifications

- **Nominal Capacity with standard LV rotors:**

To 1500 SSU visc. :	60 GPM	} <i>NTEP</i> 5:1 turn-down <i>Industrial to 30:1 turn-down</i>
To 300 cP viscosity :	230 lpm	
To 300 cP viscosity :	14 m³/h	
- **Pressure Rating** : 150 PSI at 100°F = 10 BAR at 40°C
with 3:1 Safety Factor
- **Temperature Rating** : -40°F to +180°F = -40°C to +80°C
- **Viscosity**
 - LV & HT rotors: 100% capacity to 1,500 SSU (300 cP).
 - HV rotors : 100% capacity to 5,000 SSU (1000 cP),
reduced capacity to 1,500,000 SSU (350,000 cP).
- **1 1/2" Connections** Bolted companion flanges with NPT or BSP port.
Optional : Bolted welding flanges, anodized aluminum
Bolted welding flanges, carbon steel
Bolted 150# RF ANSI adaptors, carbon steel
- **Materials** **100% non-ferrous**
 - Case : Anodized aluminum
 - Gears : PPS with carbon bearings, Teflon™ bearings opt.
 - Posts : HC303SS
 - Seals : Viton™ standard, Teflon™ optional.
 - Flanges : Anodized aluminum standard, carbon steel opt.
- **Pulsar** None
Optional : 10:1 dry reed on mechanical register
100:1 solid state on mechanical register.
- **Pulse Resolution**

	10:1	100:1
1/10 gallon register	10 PPG	100 PPG
Liter register	1 PPL	10 PPL



TS15AV13AT

Standard strainer/air eliminator and mechanical preset/linkage/valve & register

Meter Performance

- **Linearity** Over 5:1 turn-down from max. capacity: ±0.175%
Over 10:1 turn-down from max. capacity: ±0.25%
Over 30:1 turn-down from max. capacity: ±0.5%
- **Repeatability** 0.05% or better under constant conditions
- **Approvals** Custody Transfer approvals are liquid specific.
W&M approval in the US & Canada.
- **Flow Meter** CE mark.

Registration & Accessories

- **Registration options:**
 - Register : #7887 standard (5 digit reset & 8 digit totalizer)
#7886 optional (6 digit reset & 8 digit totalizer).
 - Calibration : 1/10 gallon standard,
whole liter optional.
 - Preset Counter: #7889 2-stage shut-off,
optional micro switch kit in X-Prf enclosure.
 - Ticket Printer : #7888 Zero Start standard,
Accumulative optional
- **Accessories**
 - Inlet strainer for flow meter protection
 - Air eliminator mounted on strainer
 - Backpressure valve for enhanced air elimination on trucks
 - Air Check Valve on flow meter outlet side
 - Mechanical preset valve

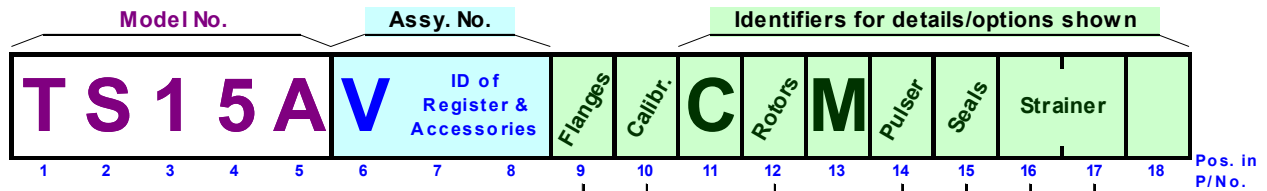
TS15A V



ISO 9001:2000 Certified

Part No.

The **Part No.** extends past Pos. 10 only if non-standard selections are made (rotors, pulser, seals, high capacity strainer or strainer basket mesh size).



Companion flanges

- A = 1/2" NPT port
- B = 1/2" BSP port
- C = 1/2" 150# RF ANSI
- F = 1/2" alum slip-weld
- H = 1/2" steel slip-weld

Calibration

- T = 1/10 gallon
- L = liter

Rotors & Bearings

- B = LV, PPS/carbon
- L = HT, PPS/carbon
- I = HV, PPS/carbon
- C = LV, PPS/Teflon
- M = HT, PPS/Teflon
- J = HV, PPS/Teflon

Pulser

- X = none
- D = 10:1
- S = 100:1

Seals

- A = Viton
- B = Teflon

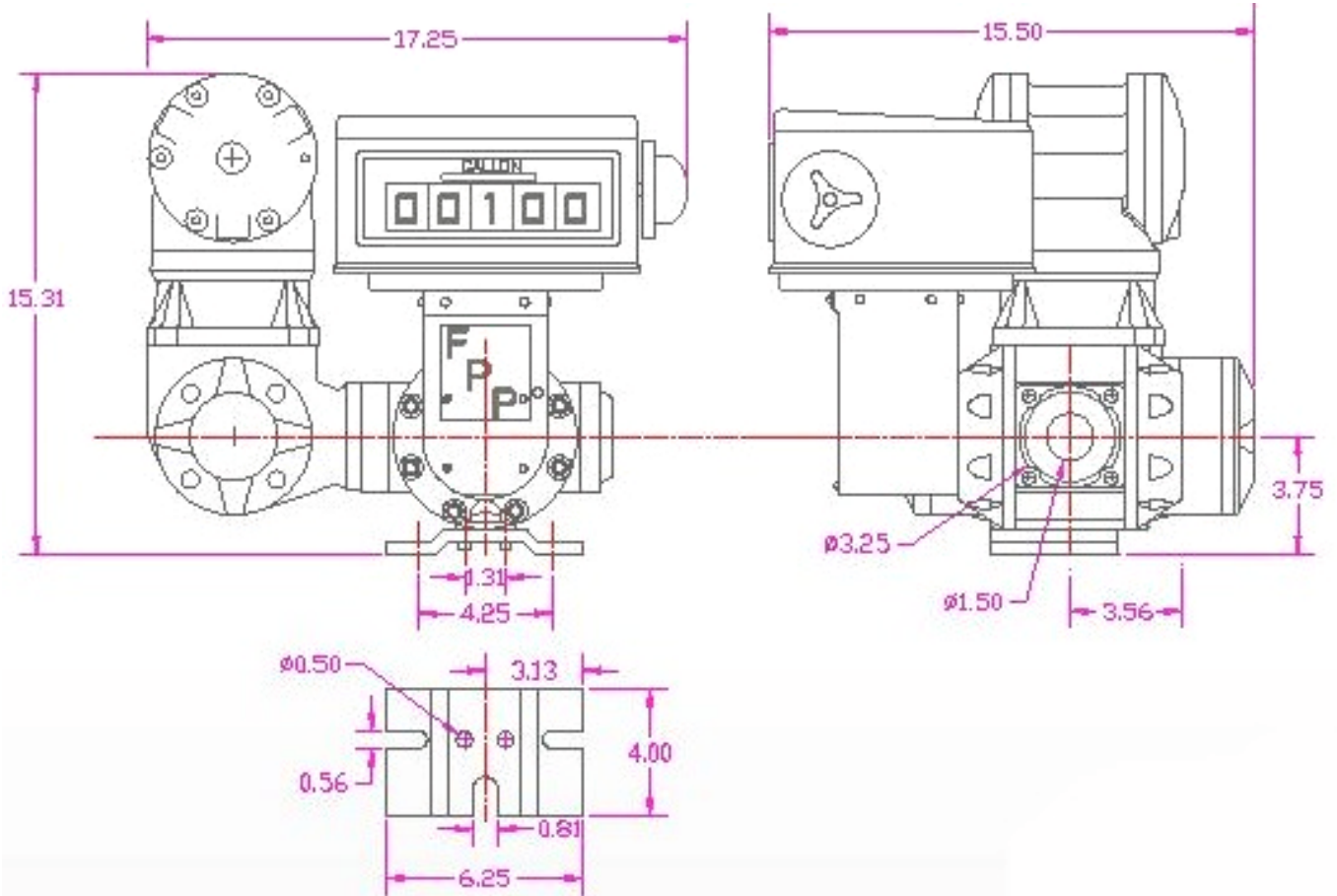
Strainer Basket

- 4 = 40 mesh (LV & HT)
- 2 = 20 mesh (HV)
- 0 = 100 mesh

Strainer

- S = Right-angle strainer

Highlighted = Standard



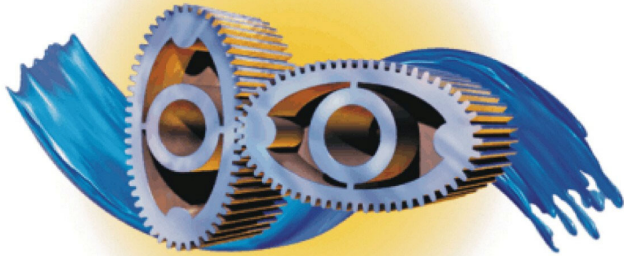
Tuthill Transfer Systems,
P.O.Box 400,
Tickfaw, LA 70466, USA

Phone: 985-542-5200
888-578-3258
Fax: 985-542-7394
E-mail: FPPWebInquiries@tuthill.com

International offices:

Europe, Middle East & Africa	Phone +44 (115) 932-5226	Fax +44 (115) 932-2526
Mexico	+52 (81) 8355-5535	+52 (81) 8355-5534
Caribbean/Central America	+54 (11) 4866-5641	+54 (11) 4866-5641
South America	+54 (11) 4866-5641	+54 (11) 4866-5641
Australia/Pacific Rim	+61 (3) 9720-6533	+61 (3) 9720-6880
China	+86 (21) 5385-3369	+86 (21) 5385-3365

Distributed by:



FPP METERS Lower Cost of Ownership!

TS20A, 2"

Anodized Aluminum, Mechanical

- Only two moving parts
- No metal to metal contact in chamber or bearings
- Patented 'Wave Form' oval gear design
- Low differential pressure for maximum flow

Specifications

- **Nominal Capacity with standard LV rotors:**

To 1500 SSU visc. :	150 GPM	} NTEP 5:1 turn-down OIML 10:1 turn-down Industrial to 30:1 turn-down
To 300 cP viscosity :	570 lpm	
To 300 cP viscosity :	34 m³/h	
- **Pressure Rating** : 150 PSI at 100°F = 10 BAR at 40°C
with 3:1 Safety Factor
- **Temperature Rating** : -40°F to +180°F = -40°C to +80°C
- **Viscosity**
 - LV & HT rotors: 100% capacity to 1,500 SSU (300 cP).
 - HV rotors : 100% capacity to 5,000 SSU (1000 cP),
reduced capacity to 1,500,000 SSU (350,000 cP).
- **2" Connections** Bolted companion flanges with NPT or BSP port.
Optional : Bolted welding flanges, anodized aluminum
Bolted welding flanges, carbon steel
Bolted 150# RF ANSI adaptors, carbon steel
- **Materials** **100% non-ferrous**
 - Case : Anodized aluminum
 - Gears : PPS with carbon bearings, Teflon™ bearings opt.
 - Posts : HC303SS
 - Seals : Viton™ standard, Teflon™ optional.
 - Flanges : Anodized aluminum standard, carbon steel opt.
- **Pulser** None
Optional : 10:1 dry reed on mechanical register
100:1 solid state on mechanical register.
- **Pulse Resolution**

	10:1	100:1
1/10 gallon register	10 PPG	100 PPG
Whole gallon register	1 PPG	10 PPG
Liter register	1 PPL	10 PPL
Dekaliter register	0.1 PPL	1 PPL

TS20AV06AT
Standard strainer/air eliminator
and mechanical register



TS20AV13ATCBMxAH4

High capacity* strainer/air eliminator,
mechanical preset/linkage/valve & register

* Required on diesel fuel tank trucks subject to 'split compartment' testing,
if the flow rate exceeds 70 GPM (265 lpm).

Meter Performance

Linearity Over 5:1 turn-down from max. capacity: ±0.175%
Over 10:1 turn-down from max. capacity: ±0.25%
Over 30:1 turn-down from max. capacity: ±0.5%

Repeatability 0.05% or better under constant conditions

Approvals Custody Transfer approvals are liquid specific.
W&M approval in the US, Canada*, EU & Australia.
* Canada = 380 lpm, recertification to 570 lpm pending.

• **Flow Meter** CE mark.

Registration & Accessories

- **Registration options:**
 - Register : #7887 standard (5 digit reset & 8 digit totalizer)
#7886 optional (6 digit reset & 8 digit totalizer).
 - Calibration : 1/10 gallon standard,
whole gallon, whole liter or dekaliter optional.
 - Preset Counter: #7889 2-stage shut-off,
optional micro switch kit in X-Prf enclosure.
 - Ticket Printer : #7888 Zero Start standard,
Accumulative optional

Accessories

- Inlet strainer for flow meter protection
- High capacity strainer for high speed diesel truck service
- Air eliminator mounted on strainer
- Backpressure valve for enhanced air elimination on trucks
- Air Check Valve on flow meter outlet side
- Mechanical preset valve

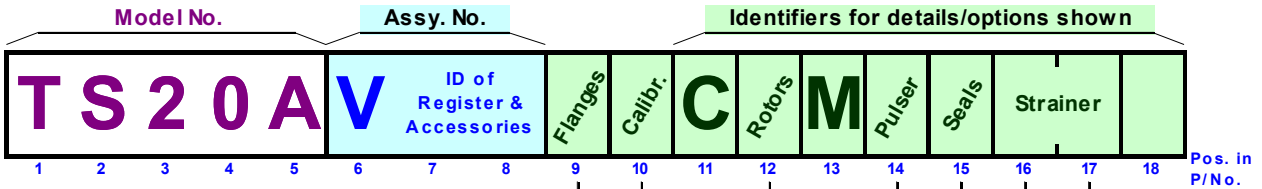


ISO 9001:2000 Certified

TS20A V

Part No.

The **Part No.** extends past Pos. 10 only if non-standard selections are made (rotors, pulser, seals, high capacity strainer or strainer basket mesh size).



Companion flanges

- A = 2" NPT port
- B = 2" BSP port
- C = 2" 150# RF ANSI
- F = 2" alum slip-weld
- H = 2" steel slip-weld

Calibration

- T = 1/10 gallon
- G = 1/1 gallon
- L = liter
- D = dekaliter

Rotors & Bearings

- B = LV, PPS/carbon
- L = HT, PPS/carbon
- I = HV, PPS/carbon
- C = LV, PPS/Teflon
- M = HT, PPS/Teflon
- J = HV, PPS/Teflon

Pulser

- X = none
- D = 10:1
- S = 100:1

Seals

- A = Viton
- B = Teflon

Strainer Basket

- 4 = 40 mesh (LV & HT)
- 2 = 20 mesh (HV)
- 0 = 100 mesh

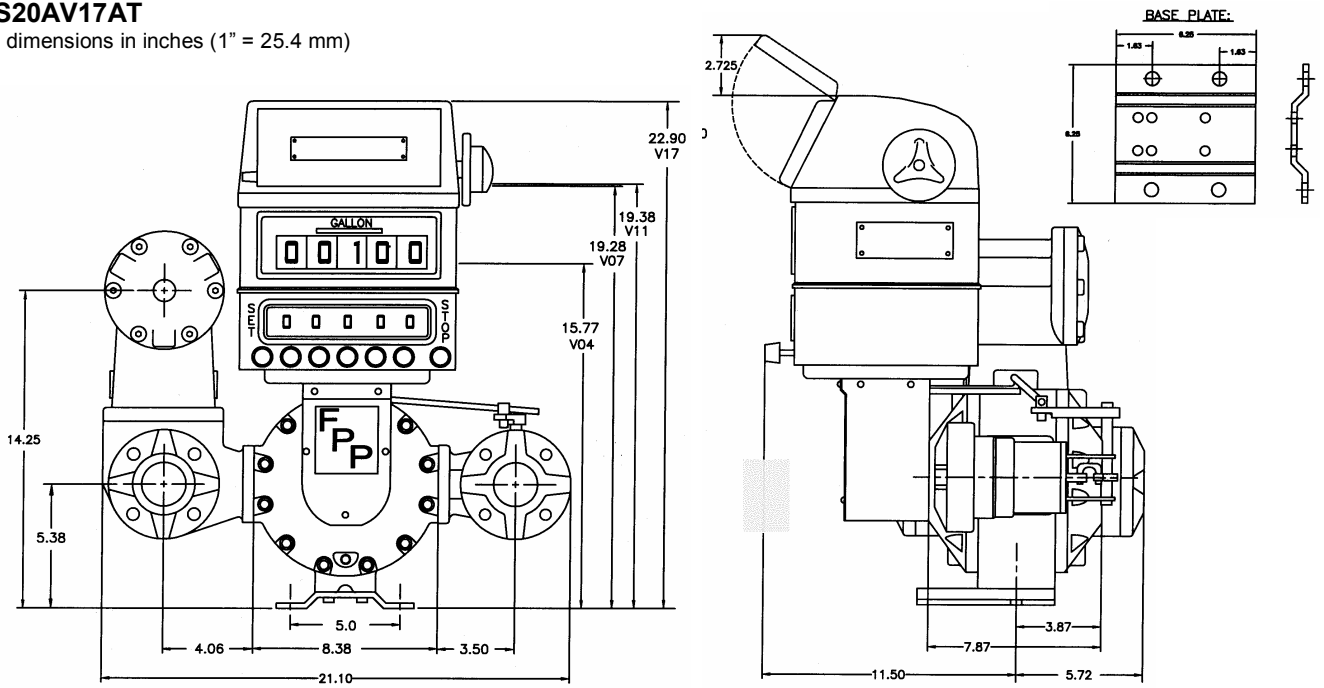
Strainer

- S = Right-angle strainer
- H = High Capacity Strainer

Highlighted = Standard

TS20AV17AT

All dimensions in inches (1" = 25.4 mm)



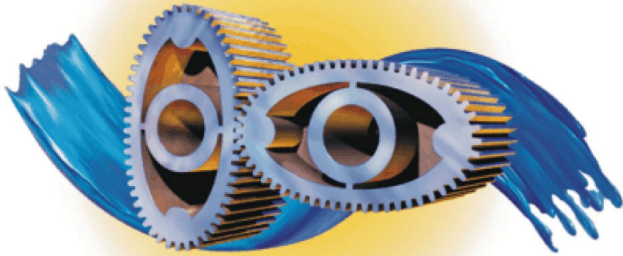
Tuthill Transfer Systems,
P.O.Box 400,
Tickfaw, LA 70466, USA

Phone: 985-542-5200
888-578-3258
Fax: 985-542-7394
E-mail: FPPWebInquiries@tuthill.com

International offices:

Europe, Middle East & Africa	Phone +44 (115) 932-5226	Fax +44 (115) 932-2526
Mexico	+52 (81) 8355-5535	+52 (81) 8355-5534
Caribbean/Central America	+54 (11) 4866-5641	+54 (11) 4866-5641
South America	+54 (11) 4866-5641	+54 (11) 4866-5641
Australia/Pacific Rim	+61 (3) 9720-6533	+61 (3) 9720-6880
China	+86 (21) 5385-3369	+86 (21) 5385-3365

Distributed by:



TS30A, 3"

Anodized Aluminum, Mechanical

- Only two moving parts
- No metal to metal contact in chamber or bearings
- Patented 'Wave Form' oval gear design
- Low differential pressure for maximum flow

Specifications

- **Nominal Capacity with standard LV rotors:**

To 1500 SSU visc. :	200 GPM	} NTEP 5:1 turn-down OIML 10:1 turn-down Industrial to 30:1 turn-down
To 300 cP viscosity :	760 lpm	
To 300 cP viscosity :	45 m³/h	
- **Pressure Rating** : 150 PSI at 100°F = 10 BAR at 40°C
with 3:1 Safety Factor
- **Temperature Rating** : -40°F to +180°F = -40°C to +80°C
- **Viscosity**
 - LV & HT rotors: 100% capacity to 1,500 SSU (300 cP).
 - HV rotors : 100% capacity to 5,000 SSU (1000 cP),
reduced capacity to 1,500,000 SSU (350,000 cP).
- **3" Connections** Bolted companion flanges with NPT or BSP port.
Optional : Bolted welding flanges, anodized aluminum
Bolted welding flanges, carbon steel
Bolted 150# RF ANSI adaptors, carbon steel
- **Materials 100% non-ferrous**
 - Case : Anodized aluminum
 - Gears : PPS with carbon bearings, Teflon™ bearings opt.
 - Posts : HC303SS
 - Seals : Viton™ standard, Teflon™ optional.
 - Flanges : Anodized aluminum standard, carbon steel opt.
- **Pulser** None
Optional : 10:1 dry reed on mechanical register
100:1 solid state on mechanical register.
- **Pulse Resolution**

	<u>10:1</u>	<u>100:1</u>
Whole gallon register	1 PPG	10 PPG
Liter register	1 PPL	10 PPL
Dekaliter register	0.1 PPL	1 PPL



TS30AV30AL

Mechanical Register & Preset Counter/Linkage/Valve, standard Strainer, Air Eliminator & Air Check Valve

Meter Performance

- **Linearity** Over 5:1 turn-down from max. capacity: ±0.175%
Over 10:1 turn-down from max. capacity: ±0.25%
Over 30:1 turn-down from max. capacity: ±0.5%
- **Repeatability** 0.05% or better under constant conditions
- **Approvals** Custody Transfer approvals are liquid specific.
W&M approval in the US, Canada, EU & Australia.
- **Flow Meter** CE mark.

Registration & Accessories

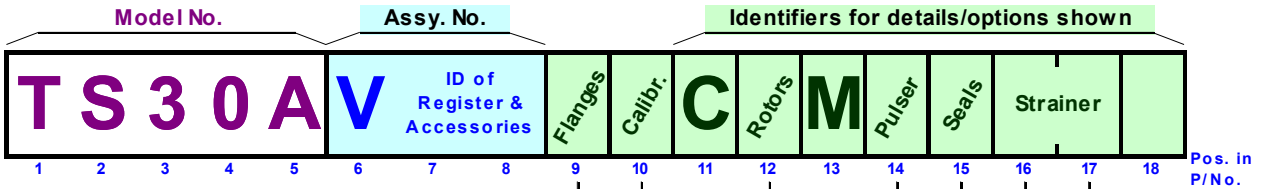
- **Registration options:**
 - Register : #7887 standard (5 digit reset & 8 digit totalizer)
#7886 optional (6 digit reset & 8 digit totalizer).
 - Calibration : Whole gallon standard,
whole liter or dekaliter optional.
 - Preset Counter: #7889 2-stage shut-off,
optional micro switch kit in X-Prf enclosure.
 - Ticket Printer : #7888 Zero Start standard,
Accumulative optional
- **Accessories**
 - Inlet strainer for flow meter protection
 - High capacity strainer for high speed diesel truck service
 - Air eliminator mounted on strainer
 - Backpressure valve for enhanced air elimination on trucks
 - Air Check Valve on flow meter outlet side
 - Mechanical preset valve



ISO 9001:2000 Certified

TS30A V

The Part No. extends past Pos. 10 only if non-standard selections are made (rotors, pulser, seals, high capacity strainer or strainer basket mesh size).



Companion flanges

- A** = 3" NPT port
- B** = 3" BSP port
- C** = 3" 150# RF ANSI
- F** = 3" alum slip-weld
- H** = 3" steel slip-weld

Calibration

- G** = 1/1 gallon
- L** = liter
- D** = dekaliter

Rotors & Bearings

- B** = LV, PPS/carbon
- L** = HT, PPS/carbon
- I** = HV, PPS/carbon
- C** = LV, PPS/Teflon
- M** = HT, PPS/Teflon
- J** = HV, PPS/Teflon

Pulser

- X** = none
- D** = 10:1
- S** = 100:1

Seals

- A** = Viton
- B** = Teflon

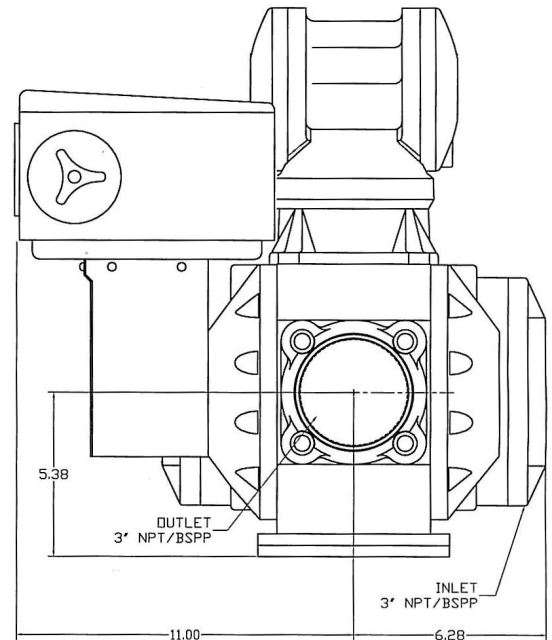
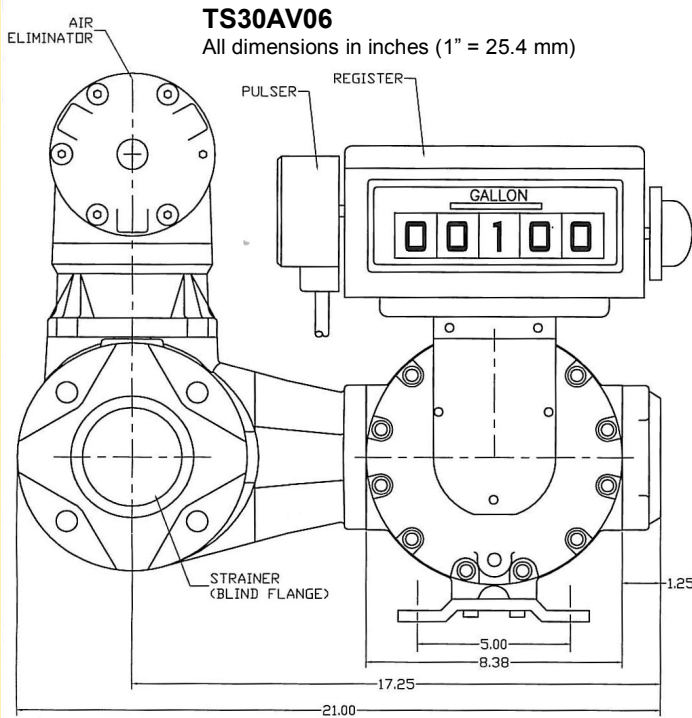
Strainer Basket

- 4** = 40 mesh (LV & HT)
- 2** = 20 mesh (HV)
- 8** = 80 mesh

Strainer

- S** = Right-angle strainer
- H** = High Capacity Strainer

Highlighted = Standard



Tuthill Transfer Systems,
P.O. Box 400,
Tickfaw, LA 70466, USA

Phone: 985-542-5200
888-578-3258
Fax: 985-542-7394
E-mail: FPPWebInquiries@tuthill.com

International offices:

Europe, Middle East & Africa	Phone +44 (115) 932-5226	Fax +44 (115) 932-2526
Mexico	+52 (81) 8355-5535	+52 (81) 8355-5534
Caribbean/Central America	+54 (11) 4866-5641	+54 (11) 4866-5641
South America	+54 (11) 4866-5641	+54 (11) 4866-5641
Australia/Pacific Rim	+61 (3) 9720-6533	+61 (3) 9720-6880
China	+86 (21) 5385-3369	+86 (21) 5385-3365

Distributed by: