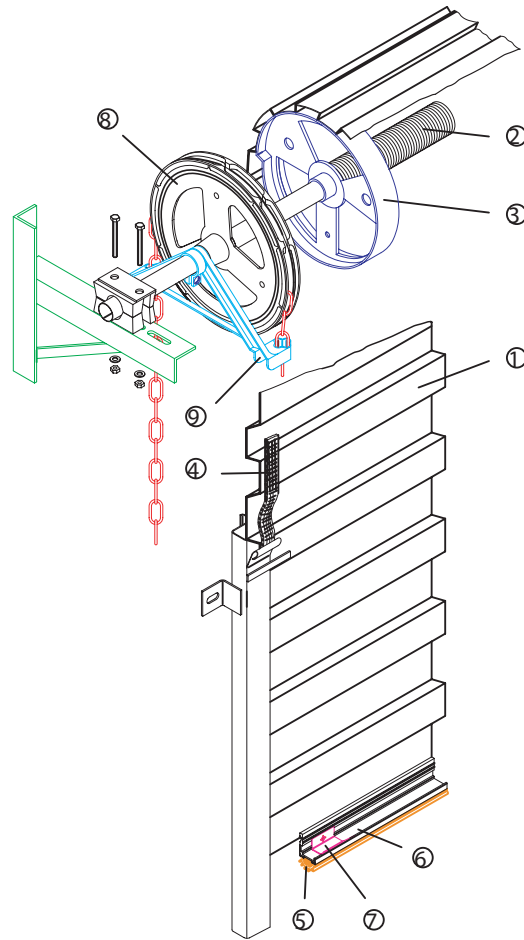


Features:

1. Roller Door Curtain
2. Spring Assistance
3. Drum Wheel
4. Polyglide
5. Weatherseal
6. Bottom Rail
7. Door Stop/Roller
8. Direct Chain Wheel
9. Chain Guide



GLIDEROL GARAGE DOORS PTY LTD. 1987
 22 JACOBSEN CRESCENT WILLOWHILL 5088
 ALL DIMENSIONS UNLESS OTHERWISE SPECIFIED ARE IN MILLIMETERS
 ALL DIMENSIONS UNLESS OTHERWISE SPECIFIED ARE IN MILLIMETERS
 A.C.N. 007 928 949

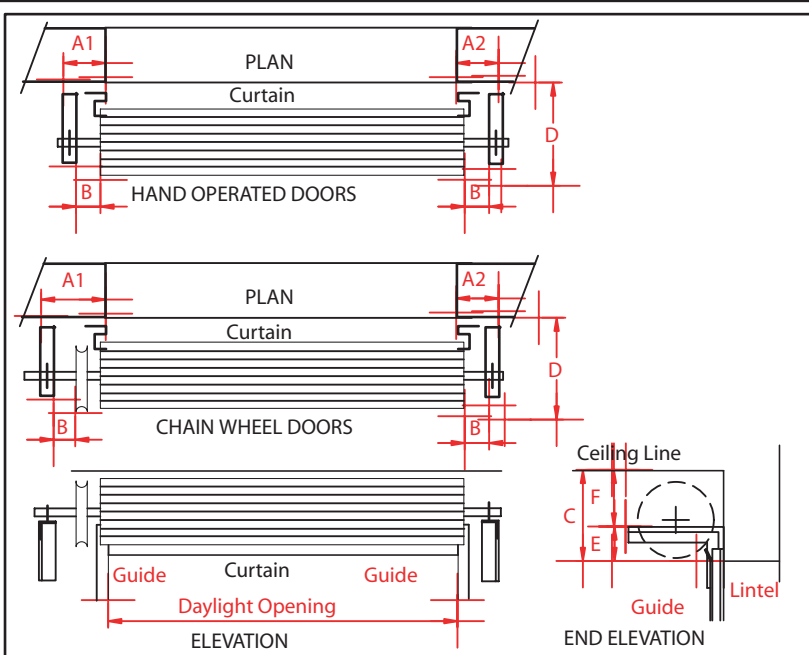
DR				
CR				
SR				
DR				
DATE:		CHANGE:		BY:
REVISIONS				

TOLERANCES UNLESS NOTED
FEDERAL
XX ± 0.2
X ± 0.15
NL DEC ± 0.10

GLIDEROL GARAGE DOORS

TITLE
 'B' PANEL DOOR ASSY.IN
 ISOMETRIC VIEW

DATE	01/07/97	DRAWN BY	H.L.O
SCALE	1:4	APPROVED BY	
SHEET OF	1 1	DRAWING NO.	3DBASSY



DIMENSION PANEL (minimum sizes)							
mm							
SERIES B INDUSTRIAL	Side Room A1	Side Room A2	B	Head Room C	D	E	F
Hand Operated Upto 2400 high	150	125	50-100	460	540	190	270
Upto 3000 high	150	125	50-100	490	560	205	285
Chain Operated Upto 2400 high	225	125	50-100	460	540	190	270
Upto 3000 high	225	125	50-100	490	560	205	285
Over 3000 high	225	125	50-100	530	580	230	300
STANDARD CURTAIN WIDTHS							
1000, 1300, 1600, 1900, 2200, 2800, 3100, 3430, 3700, 3760, 4300, 4370, 5000, 5100,							
CURTAIN WIDTH							
DAYLIGHT OPENING PLUS 100mm							

THIS DESIGN OR DRAWING IS NOT SOLD BUT LOANED. IT REMAINS THE PROPERTY OF GLIDEROL ROLLER DOORS PTY.LTD. AND IS SUBJECT TO RECALL. IT MUST NOT BE LENT, COPIED OR REPRODUCED IN WHOLE OR IN PART WITHOUT PERMISSION IN WRITING. COPYRIGHT RESERVED.

UNSPECIFIED TOLERANCES TO BE GIVEN TO
 2 DEC. PLACES +/- 0.2
 1 DEC. PLACES +/- 0.5
 0 DEC. PLACES +/- 1.0

A.C.N. 007 928 949

PROJECT	DOORCL1	
DRAWN	D.B.	4.7.97
CHECKED		
APPD.		
SCALES		

TITLE

GLIDEROL INTERNATIONAL 95

ROLLER DOOR CLEARANCES SERIES B

GLIDEROL GARAGE DOORS
 32 JACOBSEN CRES. HOLDEN HILL 5088

DRAWING NO. G0313

