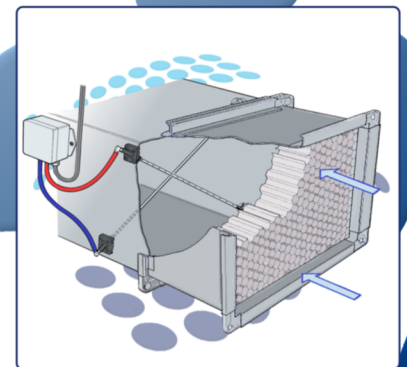
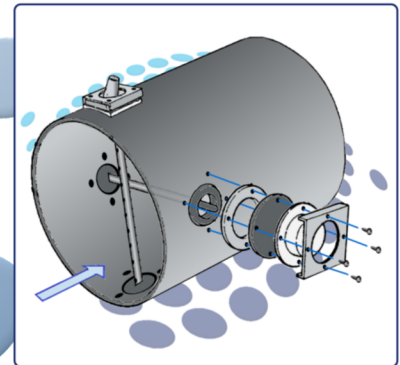
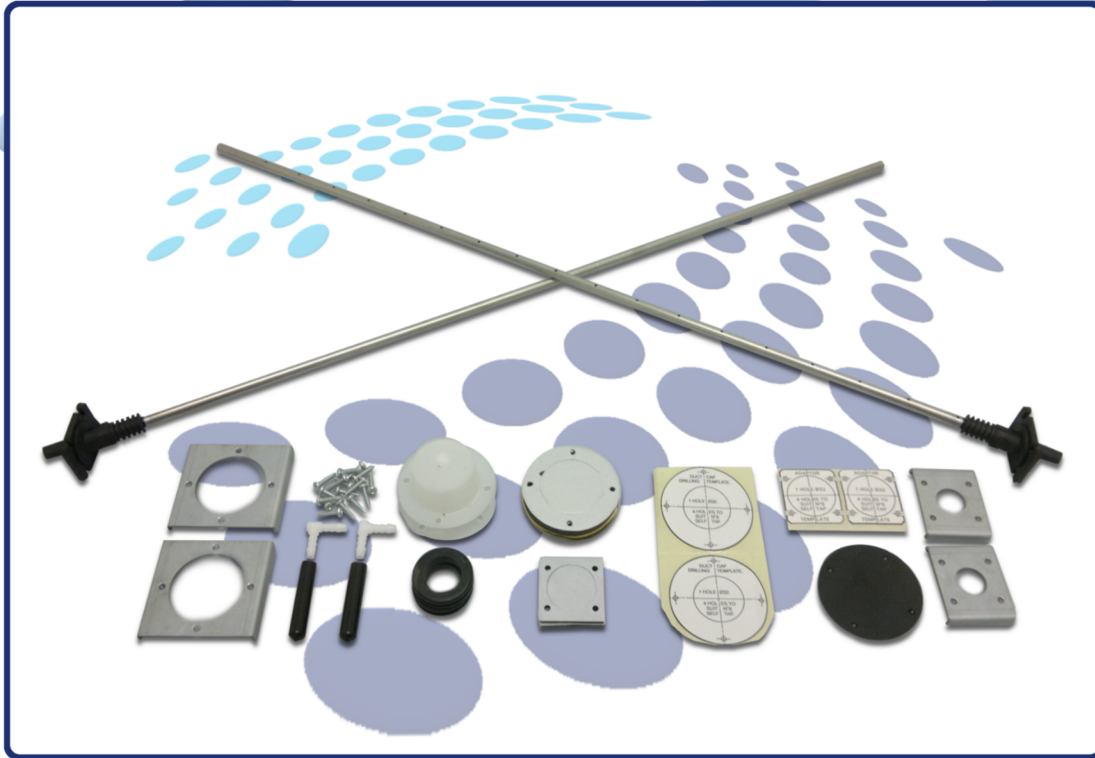


X and UX Flowgrids

X Flowgrids are an economic way to give useful and reliable readings in a wide variety of 'in duct' locations, often where other flow rate measuring devices are found to be unsatisfactory or difficult to install.



They consist of two tubes mounted diagonally through the cross section of the duct and are easy to install and maintain. The holes in the one of the X-Grid tubes face upstream, whilst those in the second tube face downstream, the holes in the second tube of the UX-Grids also face forward but at an included angle. In both cases these tubes generate an averaged signal to generate a differential pressure signal that directly relates to volume flow. Standard Performance Data is available.

Standard Sizes Available	<p>ø8mm – up to 715mm diagonal & 680mm Dia. ø16mm – up to 1534mm diagonal & 1510mm Dia.</p>
Uncertainty of Flow Measurement	±5.0% (can be obtained)
Magnification Factor (M)	<p>X-Grid - approx. 1.8 UX-Grid - approx. 1</p>
Versions Available	Standard and High Temperature Systems
Temperature Range	Standard up to 80°C - High Temperature up to 850°C (680°C continuous)
Materials	Stainless Steel Grade BS3605 321 S18 tube supplied as standard also PVC, Polyurethane, Acetal plastics & Neoprene rubber.
Special Systems	Bespoke systems manufactured to meet Customer specification