

# ELLA



EST. 1959  
ELITE  
LEATHER  
COMPANY

# ELLA | 92081

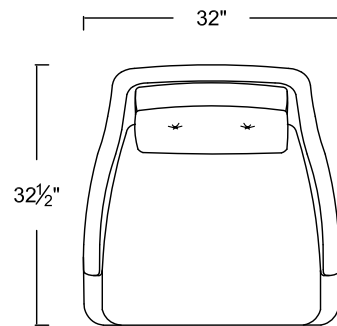
BACK. UPHOLSTERED, TIGHT, BOXED  
PILLOW, ATTACH, BUTTON TUFT

SEAT. UPHOLSTERED, LOOSE BOXED  
CUSHION

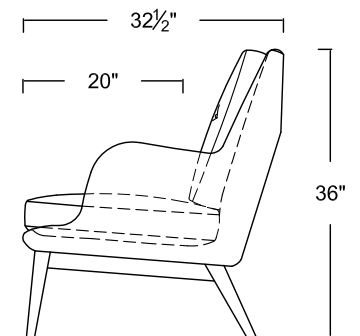
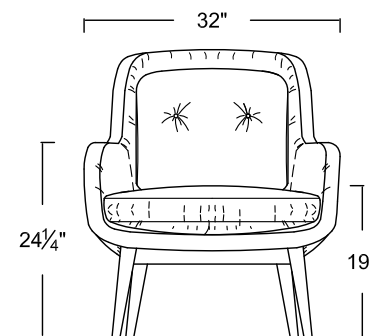
BASE. WOOD, LEGS TAPERED

AVAILABLE WOOD FINISHES:

NATURAL  
WALNUT  
JAVA  
FRENCH GREY  
COFFEE BEAN  
BLACK  
ASH



CHAIR  
L10-92081 (LEATHER)  
F10-92081 (FABRIC)



EST. 1959  
**ELITE  
LEATHER  
COMPANY**

SCALE: 1/2" = 1'-0". L OR R REFER TO LEFT- OR RIGHT- FACING, AS DETERMINED BY FACING THE PIECE.

ELITE LEATHER COMPANY RESERVES THE RIGHT TO CHANGE DIMENSIONS AND PRODUCTS OFFERED. A MORE RECENT SCHEMATIC MAY BE AVAILABLE FOR THIS COLLECTION. TO SEE THE MOST CURRENT SCHEMATIC AVAILABLE, VISIT [WWW.ELITELEATHER.COM](http://WWW.ELITELEATHER.COM).

THIS SCHEMATIC IS CURRENT AS OF 08/2017