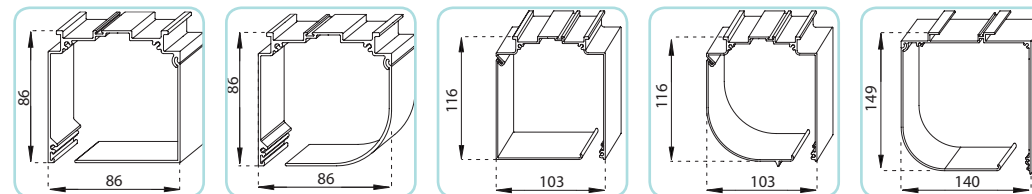


NORTHGATE

TAKING CARE OF EVERY ASPECT

OVERHEAD COMO ZIP

CASSETTES



C85

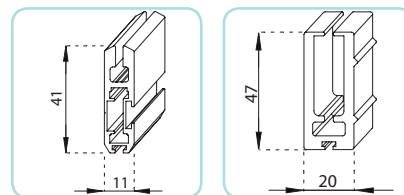
CT85

C100

C1100

CT140

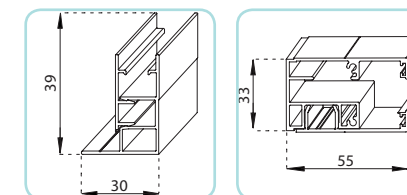
BOTTOM RAILS



11x41

20x47

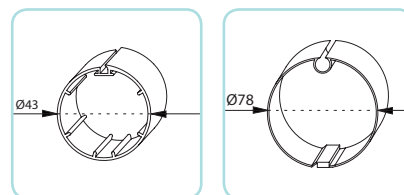
GUIDES



Z39

Z55

ROLLER TUBES



Ø43

Ø78

NORTHGATE

TAKING CARE OF EVERY ASPECT

Northgate, PO Box 200, Barnet, Herts EN4 9EW

Tel 020 8441 4545 **Fax** 020 8441 4888**Website** www.northgateuk.com **Email** enquiries@northgateuk.com

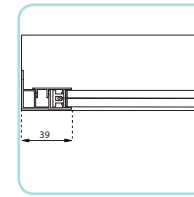
The contained information in this catalogue may be imprecise because of possible technical modifications made after printing. The manufacturer reserves the right to make technical modifications without advance notice. Before making orders consult your manufacturer or retailer. The roller blind Como is designed for the sun protection of the space where it is located. Every other use is inappropriate and dangerous. Northgate cannot be considered responsible for possible damages caused by improper, erroneous and unreasonable use. The roller blind Como must be installed perpendicular to the horizontal area. When the danger of icing is present the roller blind cannot be operated, in case of strong wind it is necessary to wrap up the roller blind. The fabric can have folds that do not influence the proper functioning of the roller blind.

OVERHEAD COMO ZIP

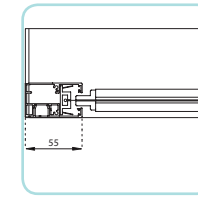
Northgate's Como Zip Blind caters for both very long and wide dimensions and works with any inclination. It is robust and secure, without compromise, excellent for blackout solutions with its fabric in the zip guides. The Como Zip Uses a double motor to guarantee the precision and with the fabric tension system to keep material taught.

ROLLER TUBE	Material:	Extruded aluminium tube with recess and steel tube with recess
CASSETTE	Material/Finishing:	Powder-coated extruded aluminium
	Inspectable:	Yes
	Benefits:	Seal brush
BOTTOM RAIL	Material:	Powder-coated extruded aluminium
	Benefits:	Seal brush
GUIDES	Material/Finishing:	Powder-coated extruded aluminium
	Inspectable:	Yes
SCREWS	Material:	Stainless steel
HANDLINGS	Motor:	Alternating current AC 230v / 14 - 16 rpm
BRACKETS	Finishing:	Powder-coated stainless steel
INSTALLATION TYPES		Reveal fix
		Front fix
DIMENSIONS	Width (mm):	1000 min - 2400 max
	Height (mm):	Depending on the fabric
		MOTOR
	With guides:	4400 max
FABRIC CONFECTIONING	Roller tube:	Cable with tape
	Bottom rail:	Fold with rigid rod
	Guide Z39:	Welded ZIP system
TRACTION SYSTEM		Dyneema rope \varnothing 1mm
CERTIFICATION	CE	13561

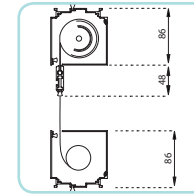
TECHNICAL OPERATING SPACE



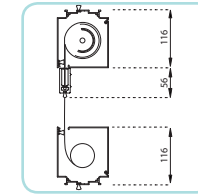
Z39 guide



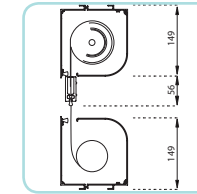
Z55 guide



C85/CT85 cassette

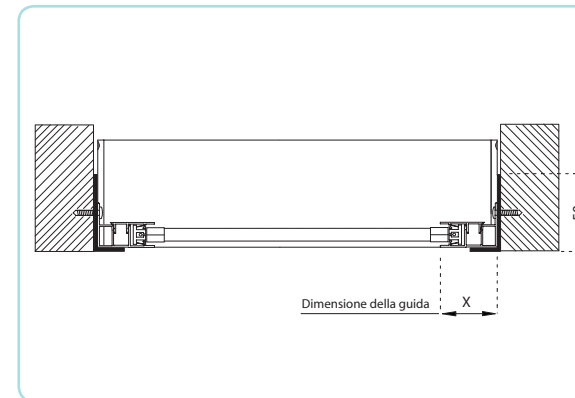


C100/CT100 cassette

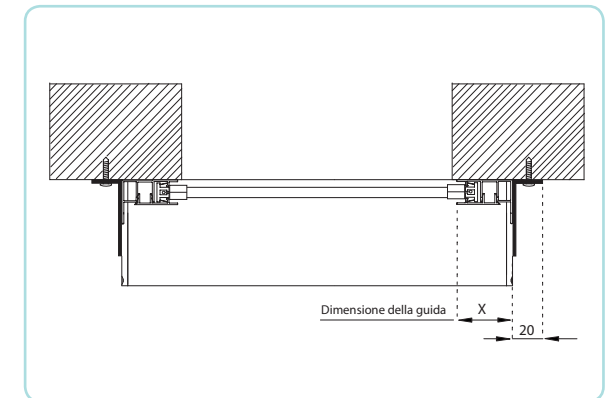


CT140 cassette

FIXING METHODS



Reveal fix



Front fix

CONFIGURATIONS



C85 with Z39 guide



C100/C140 with Z55 guide

N LIFETIME WARRANTY This fabric range comes with a full **Lifetime Warranty** as standard.

For more information and images please visit our website at:

WWW.NORTHGATEUK.COM/COMO-ZIP