



## D120 Industrial Roller Shutter



### The industry's best at a competitive price

The Mechdoors D120 Industrial Roller Shutter has been designed for heavier use applications in industrial and commercial environments and has a reputation for reliability in strength to withstand general use and abuse.

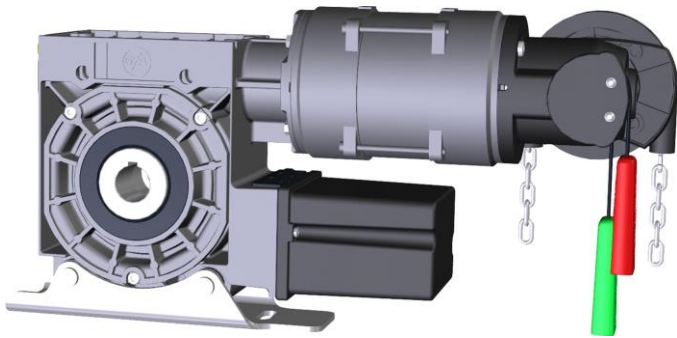
Our D120 Industrial Roller Shutter has been designed and manufactured in-house for over 30 years to the latest best practise and fabrication techniques, using the industry's best components at a competitive price.



### Better design and better made

All components including the lath curtain, bottom bar, side guides and barrel assembly are designed for ease of installation, maintenance and repair.

Options include solid, punched and perforated lath, with polyester powder coated colour finishes used to increase aesthetics and provide customisation.



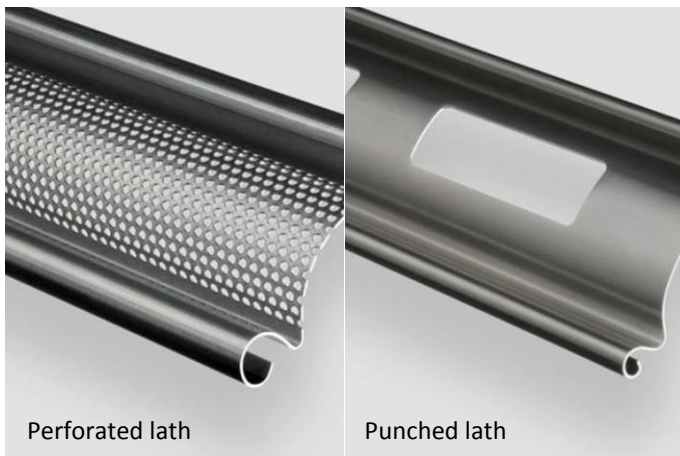
3 phase motor with safety brake

## Safety as standard

Electric operation (3 phase direct drive motor) is most common via a low voltage 3 button station (open/close/stop), key switch or remote control.

Safety beams and safety edges are included where applicable to meet the requirements of BS EN 12453:2001.

Safety brakes and double spring barrel assemblies (for manually operated shutters) are included where applicable to meet the single component failure safeguard requirements of BS EN 12604:2000.



Perforated lath

Punched lath

## Technical Sales & Support

Every enquiry is handled by our dedicated technical sales team who are focussed on providing the best and most cost effective solutions quickly and efficiently.

For every order we appoint a job manager who arranges all material, engineer and Health & Safety resources and scheduling required to carry out the work on time and on budget. Our in house team handle all calls and emails to ensure the smooth running of every job from first contact to completion.

A site meeting with the appointed job manager is held to review the work, confirm site details, to determine site restrictions and hazards, and plan dates for the work.

Our family of long serving and motivated site engineers provide a reliable service delivery of confidence and attention to detail.

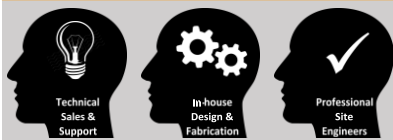
Our in-house fabrication facility is also capable of handling all Industrial Door and Roller Shutter repairs and upgrades from any manufacturer.



Safety edge

Safety beam

Scotland's leading service provider of **Industrial Doors & Roller Shutters** for reactive and planned repairs, maintenance and renewals



# MECHDOORS

on our reliability

Industrial Doors & Roller Shutters tri

Mechdoors,  
69 Kelvin Avenue,  
Hillington Park,  
Glasgow G52 4LT

Glasgow T: 0141 882 1671  
Edinburgh T: 0131 556 4466  
F: 0141 880 2818  
www.mechdoors.co.uk  
info@mechdoors.co.uk

