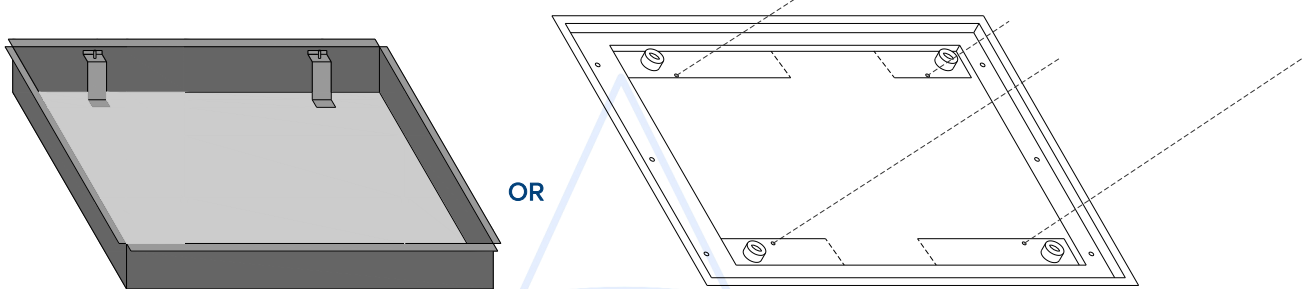


# Classic and Silhouette LCD TV Installation Guide

Once the main bezel of your Aquavision has been installed, the LCD TV needs to be fitted. The first and most important job is to clean the front of the screen thoroughly.

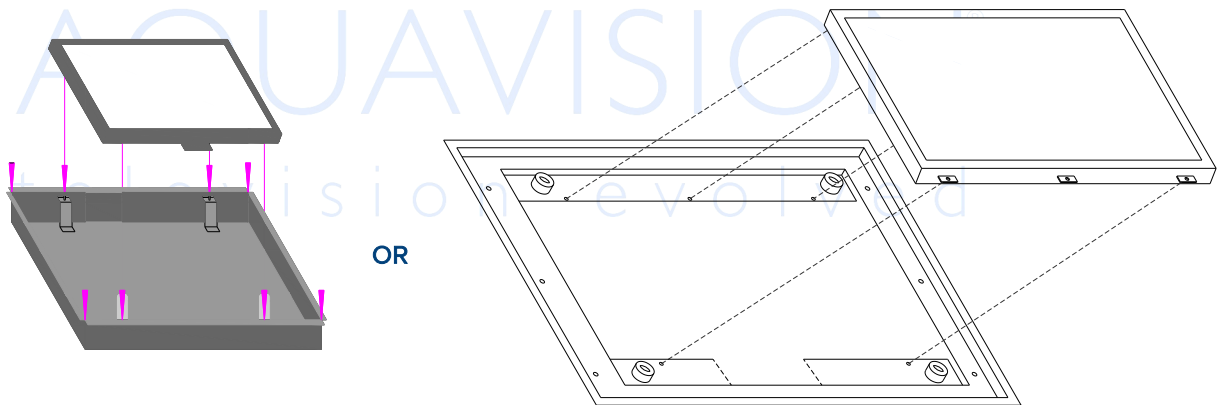
When cleaning the Aquavision, never use an abrasive cleaner. The front of the screen has a plastic finish and therefore should be cleaned with a soft damp cloth and a mild, non-abrasive glass cleaning agent.

Once you are satisfied that the screen is clean, remove the white plastic thumbnuts from the bezel as shown in the diagram below.



Connect all relevant cables into the back of the LCD screen, making sure they are pushed fully home. Don't forget the speaker wires.

Place the LCD screen onto the bezel as shown below and replace the mounting nuts.



You are now ready to install the glass cover. Please refer to instructions supplied with the glass which indicate how this should be carried out.

It is the installer's responsibility to ensure that the Aquavision unit is installed and sealed correctly as stated in these instructions. Your guarantee will be void if any problems are caused through installation faults or poor sealing. After any maintenance, you will need to completely clean the old silicon off and reseal as stated above.



**HEAD OFFICE AND FACTORY**  
Aquavision  
Unit 7 Riverpark, Billet Lane  
Berkhamsted, Hertfordshire  
HP4 1HL  
United Kingdom  
+44 [0]1442 872665

**AMERICAN OFFICE**  
Aquavision, Inc.  
#197  
5 Southside Drive, Suite 11  
Clifton Park, NY 12065  
America  
+1 800 524 1804



[sales@aquavision.tv](mailto:sales@aquavision.tv)  
[sales@aquavision.us](mailto:sales@aquavision.us)

[www.aquavision.tv](http://www.aquavision.tv)  
[www.aquavision.us](http://www.aquavision.us)