



**SECTIONAL
GARAGE DOORS**

Setting the Example

With a true promise of quality

We are a firmly established public limited company which has been supplying commercial and industrial doors across the UK for over a decade. We manufacture more sectional industrial doors in the UK than any other company and our reputation as an industry leader for quality is something we work hard to maintain.

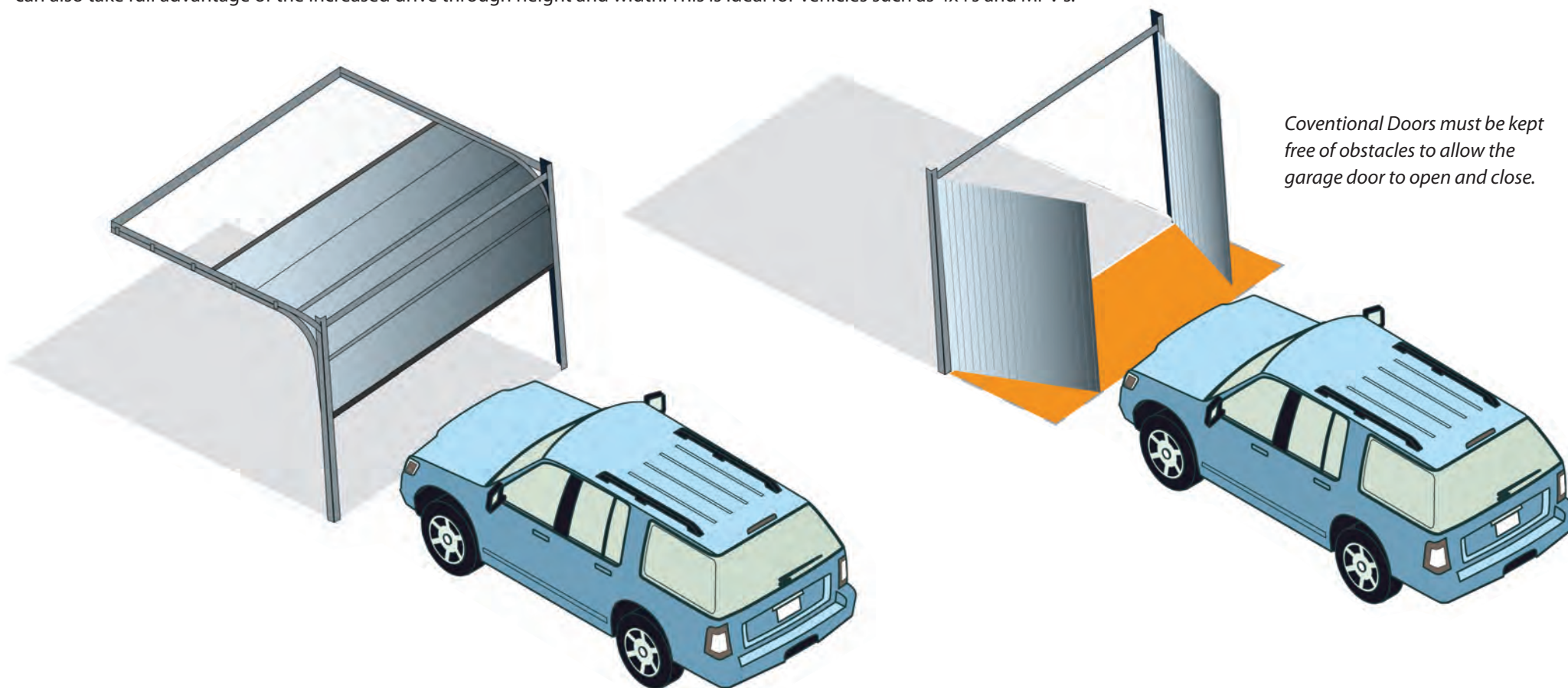
We are committed to a programme of continuous improvement which has now given us the opportunity to develop as a reliable manufacturer of residential garage doors. As your home is arguably your most valuable asset, you can be assured that when you decide to invest in one of our garage doors, you will have a world class product, manufactured and assembled in Great Britain with your safety and security built in as standard.

Benefits at a glance

Optimal use of space

Our sectional garage doors open vertically which means you can park your car right up to the door.

This allows you to use every inch of space in front and inside your garage. As no door frame is required within the opening, you can also take full advantage of the increased drive through height and width. This is ideal for vehicles such as 4x4's and MPV's.



Conventional Doors must be kept free of obstacles to allow the garage door to open and close.

EXS40R

Renovation Extension Spring Door Solution

- Frame build up possible for easy installation
- Suitable for door weights up to 100 kg and 2500 mm in height
- Safety cover for gap between curve and track-set, according EN/12604
- Innovative patented extension spring construction for high performance: over 25.000 cycles
- Total of 17 spring sets available to cover complete application range
- Improved cable lifetime due to patented cable compensation device, according EN/12604



SFR200

Reinforced Torsion Spring Door Solution

- Suitable for door weights up to 295kg in accordance with CE standards
- Standard door dimensions: up to 5000mm wide or 3000mm high. Larger sizes available upon request
- Reinforced cover for gap between curve and track-set
- Innovative patented Torsion Spring power unit positioning system
- Pre-assembled track sets available in 2-piece or 3-piece assemblies
- Solid 2mm vertical angle and 1.5mm track thickness



REN70

Space Saving Reinforced Torsion Spring Door Solution

Similar to the SFR200, however the spring assembly is mounted at the back of the tracks allowing less headroom to be required, ultimately saving you space meaning you can achieve a larger clear opening height.



In-between Fix Components

Specifically engineered for the residential market these reliable and fully adjustable brackets offer a new dimension of garage door applications, allowing almost any opening to be used by creating the required side room and headroom.



Spacer



Bracket



Mounting Angle



Vertical Angle Cover

Weatherproof & Energy Efficient

40mm thick panels with high density polyurethane foam provide excellent insulation.

Flexible and weather resistant seals on all four sides of your door keep out the wind, rain and snow allowing you to maintain a constant temperature within your garage.



• Panel Information

500 mm deep panels, 40mm thickness. Two pre coated galvanised steel skins filled with high density, self extinguishing, HCFC-free closed cell polyurethane foam. Panel joints fitted with a closed cell gasket providing increased air and water tightness (both class 3 as per EN 13241-1)

• Seal Information

Top Seal: Ensures the lintel to the top of the structure fits tightly against the top panel of your door.

Side Seals: Hard, black PVC which fits snugly to the galvanised powder coated frame and against the panel.

Bottom Seals: Attached to the aluminium seal retainer on the bottom of the door providing additional sealing against the floor of your garage.

Sealed All Round: Flexible and weather resistant seals on all four sides means your door will keep in the warmth and keep out the wind and rain. This extra benefit will be appreciated fully after your door has been fitted.





Safety and Security

The door panels are designed with fingertip protection to help prevent injury. Electrically operated doors stop immediately if an obstacle is detected in the door opening and for security purposes, cannot be forced open when in the closed position.

A Sound Investment

Insulated galvanised steel panels with polyammidic or polyester coating provides superior resistance to UV giving excellent insulation and helps maintain the quality finish and good looks of your door for years.

Modern, innovative and stylish design improves the appearance and value of your home.

No expensive building works are required as your doors are purpose built for your garage.

All our products have been tested, approved and comply with the latest UK safety legislation.



Evo Line Panel

Attractive, contemporary styling

A classic look with an embossed woodgrain effect gives a distinctive, dynamic flavour to this door which is very much a traditional design.



- **Internal Surface Finish**
Stucco RAL9010
- **40mm thick, double skinned, insulated steel panels**



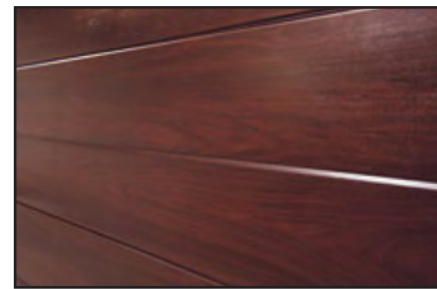
Choose from a diverse range of doors and surface designs incorporating the latest UK approved safety and security standards in a range of colours.



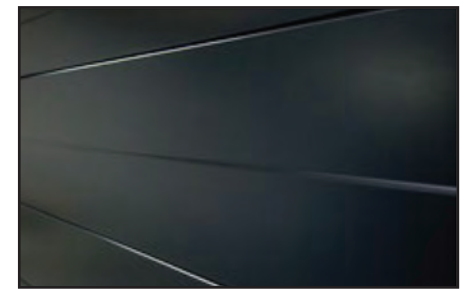
- **White RAL9016 - Polygrain**



- **Golden Oak - Smooth**



- **Rosewood - Smooth**



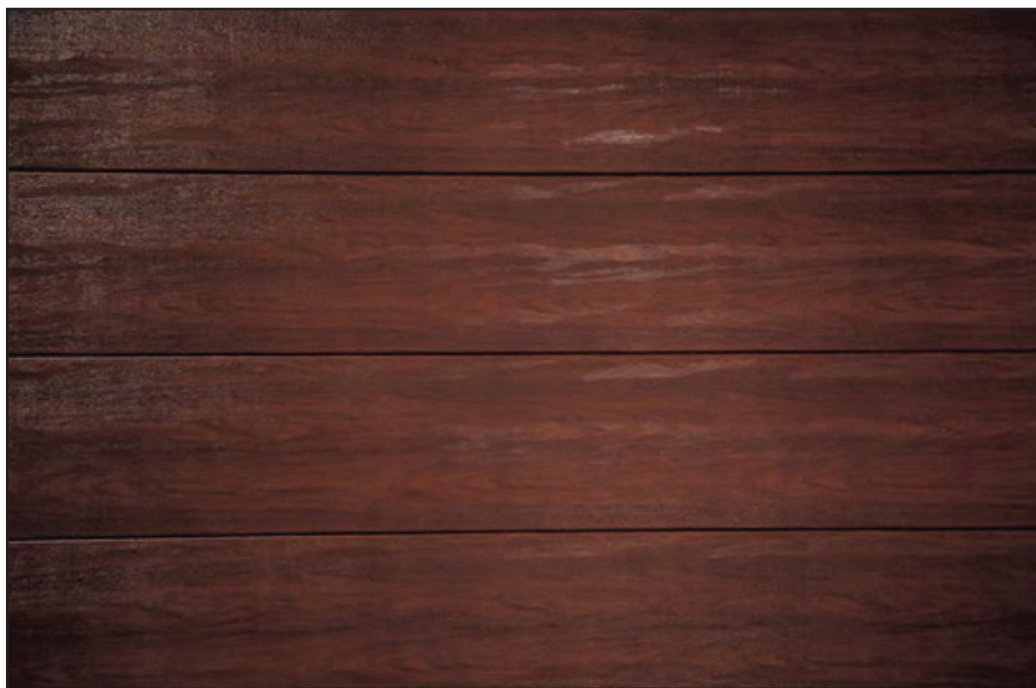
- **Anthracite RAL7016 - Polygrain only**

Flat Panel

Engineering for long lasting good looks

A classic look with an embossed woodgrain effect gives a distinctive, dynamic flavour to this door which is very much a traditional design.

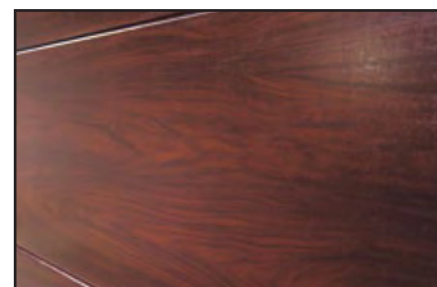
Choose from a diverse range of doors and surface designs incorporating the latest UK approved safety and security standards in a range of colours.



- White RAL9016 - Polygrain



- Golden Oak - Smooth or Woodgrain Embossed



- Rosewood - Smooth or Woodgrain Embossed



- Anthracite RAL7016 - Polygrain only



- Internal Surface Finish
Stucco RAL9010

- 40mm thick, double skinned, insulated steel panels



Georgian Cassette Panel

Combining elegance and tradition

A classic look with an embossed woodgrain effect gives a distinctive, dynamic flavour to this door which is very much a traditional design.



• White RAL9016



• Golden Oak



• Rosewood

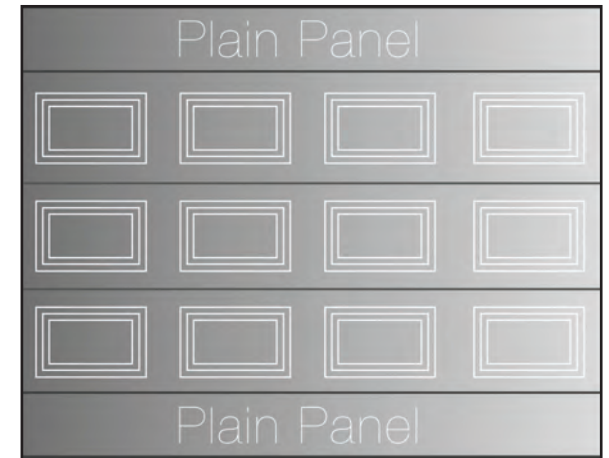


• Internal Surface Finish
Stucco RAL9010

• 40mm thick, double skinned, insulated steel panels



• The Perfect Fit



• Georgian Panels

All Georgian Cassette Panels are 500mm deep.

To maintain the aesthetics and appealing look of your door, it may have to be manufactured with plain panels at the top and/or bottom.

The finished article with matching hardware

White furniture and end caps give your door unequalled aesthetics making the perfect addition to your garage door

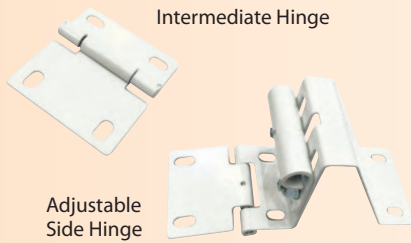
Complementing the internal face of all our standard insulated panels with seamless integration. Powder coated to the highest standards in the industry to ensure it's a striking addition to your investment.



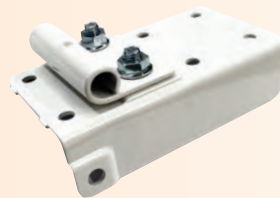
- Residential End Caps



- Fingersafe Hinges



- Bottom Corner Bracket



- Top Roller Carrier



Give your door the personal touch

Choose the perfect window and handle to create an individual design

Impressive glass windows allow daylight to enter your garage which means this space can be used as a workshop or hobby room.

All window options are double glazed for excellent insulation.



• **Hardened Glass - Clear or Opaque**



310mm Square



230mm Square



330mm Diameter

* Note: Dimensions are taken from the outside of the frames.

Elegant stainless steel window trims enhance the designer look of your door.

• **Residential Windows - Clear or Opaque** - All 532mm x 344mm



White



Anthracite



Light Oak



Black

• **Handle**



Modern ergonomical design. Suitable for all doors.

• **Cylinder Lock**



Recommended for use on manual doors only.

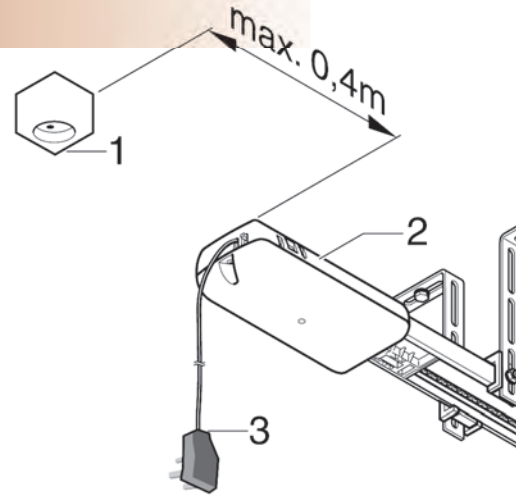
• **Emergency release locking system in case of power failure**

For use when the only way into the garage is by the garage door. Small lock with discreet appearance allowing the door to be opened by hand.



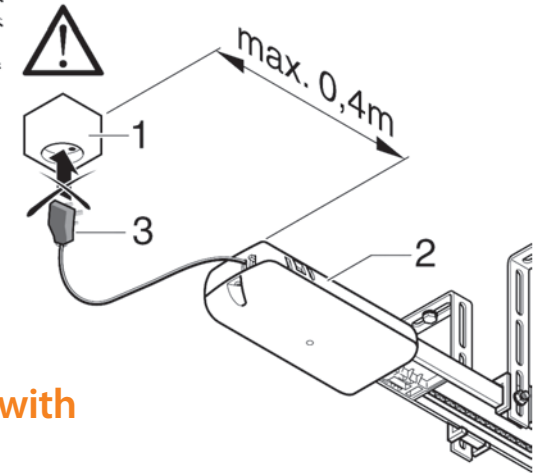
Garage Door Operators

Our garage door is offered with the option of two German manufactured Sommer/Aperto operators



- **Baseline**

- Built in lighting automatically switches off after 20 seconds
- Supplied with two handsets
- Impulse activation
- Can be fitted with wall mounted push button



Baseline

Convenience and safety with speed and power

Suitable for all doors up to 3000mm wide and maximum height of 2.3 meters

- Drive system provides quiet running without wear
- Quick, safe, easy to operate
- Self locking motor for effective protection against unauthorised entry or power failure
- Individually coded for security
- Reliable operation with 868.8MHz radio frequency
- Simple programming of the hand transmitter by radio
- Extremely quiet opening and closing



Duo Rapido Model

Proven innovative technology with elegant design
Suitable for all doors up to 3.0 metres high

- Fast door opening with up to 240mm/s, your door will open in seconds
- Slow closing for safety including automatic closing function
- Light control button supplied with 5m connection cable for wall or ceiling installation
- Optimal protection with automatic obstacle detection
- Low energy consumption
- Supplied with two handsets



Radio Remote Controls

Ease and convenience at the touch of a button



- **2 Command Transmitter**
Range : Approx. 25m (depending on surroundings)
Battery : 3 V, type CR2032
Dimensions : 81 x 24 x 12mm
- **Holder**
For 2 command transmitter
For fixing in a car or on a wall
Includes fixing material

Extra's for either motor



- **"ENTRAPin" Wireless Keypad**
Opens garage doors with your personal PIN code
Quick and easy installation, no need to run wires
Memory : 1 access code
Radio Frequency : FM 868.8 MHz (Somloq Rollingcode)
Range : Approx. 25m (depending on surroundings)



- **4 Command Transmitter "Slider"**
Housing with slider function
High quality, modern design in stainless steel application
Range : Approx. 35m (depending on surroundings)
Battery : 3 V, type CR2032
Dimensions : 62 x 35 x 16mm (when closed)



- **"ENTRASys"GD Fingerprint System**
Opens garage doors by biometric recognition at the swipe of a finger. Quick and easy installation, no need to run wires
Memory : Max. 50-80 fingerprints
Radio Frequency : FM 868.8 MHz (Somloq Rollingcode)
Range : Approx. 50m (depending on surroundings)



- **Radio Wall Button, Surfaced-mounted (3 command)**
Wireless switch which means no additional wires or cables are required at switch location
Available in white and anthracite
Range : Approx. 25m (depending on surroundings)
Battery : 3 V, type CR 2032
Dimensions : 80 x 85 x 15mm



• Garage Door Survey Sheet

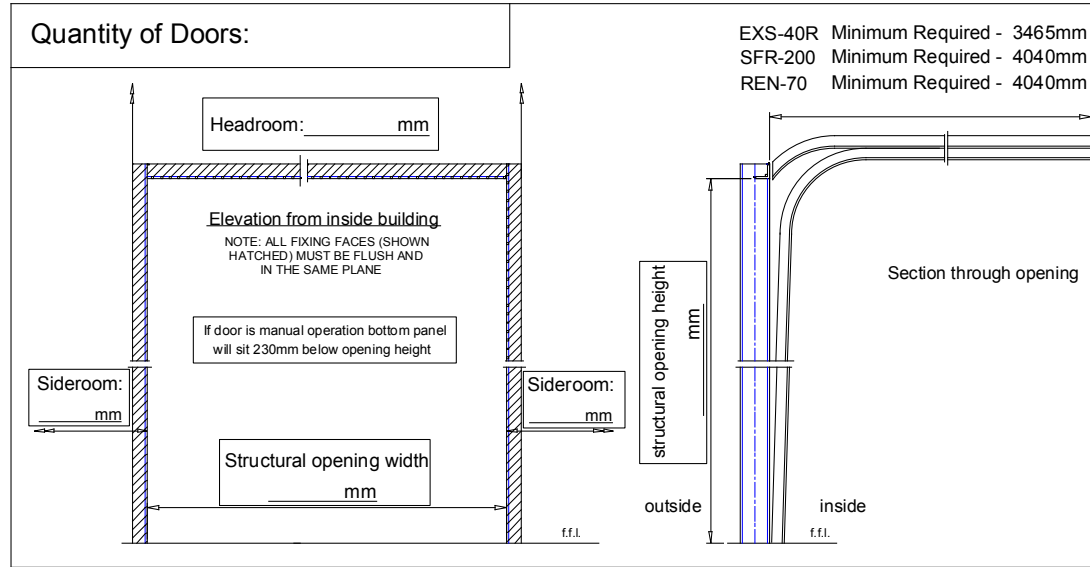
Customer:	
Quote Reference:	
OSA Order Reference:	
Cust. Order Number:	
Date of Order: / /	Date Required: / /
Delivered: <input type="checkbox"/>	Ex Works Collection: <input type="checkbox"/>
Delivery Address:	
Special Requirements / Additional Notes:	
Price: £ / €	

Type of Door	Sideroom	Headroom	<input checked="" type="checkbox"/>
EXS-40R Extension Springs 3000 x 2500 Max. 100kg's	Min. 52mm To Obtain Full Drive Thru Width 92mm	Min. 90mm To Obtain Full Drive Thru Height 130mm	
SFR-200 Front Mounted Springs 5000 x 3000 Max. 165kg's	Min. 52mm To Obtain Full Drive Thru Width 92mm	Min. 190mm To Obtain Full Drive Thru Height 230mm	
REN-70 Rear Mounted Springs 5000 x 3000 Max. 165kg's	Min. 52mm To Obtain Full Drive Thru Width 92mm	Min. 90mm To Obtain Full Drive Thru Height 160mm	
Inbetween Fit Required	YES	/	NO

Hardware Finish	Galvanised <input type="checkbox"/>	White <input type="checkbox"/>
-----------------	-------------------------------------	--------------------------------

Operation
Prepared for Electrics <input type="checkbox"/>
Manual Push Up/Pull Down <input type="checkbox"/>
Baseline - 3000 x 2300 100kg (Including 2no Hand Transmitters) <input type="checkbox"/>
Duo Rapido - 5000 x 3000 165kg (Including 2no Hand Transmitters) <input type="checkbox"/>

Optional Extras
Hand Transmitters <input type="checkbox"/>
Wireless Keypad <input type="checkbox"/>
Wireless Fingerprint Scanner <input type="checkbox"/>
Wireless Push Button <input type="checkbox"/>
4 Button Slider <input type="checkbox"/>
None <input type="checkbox"/>



Panel Colour	Flat	Evo-Line	Cassette Woodgrain	Flat Woodgrain
White - RAL9016			N/A	N/A
White - RAL9010	N/A	N/A		
Anthracite - RAL7016			N/A	N/A
Rosewood				
Golden Oak				
Painted Panel RAL/BS				
Industrial Door Panel 'W' Type	POLY / PLAST	Colour - RAL/BS Reference:		

Vision Windows	Clear / Obscured	Quantity <input type="checkbox"/>
230 x 230 Stainless Steel <input type="checkbox"/>	532 x 344 White <input type="checkbox"/>	
310 x 310 Stainless Steel <input type="checkbox"/>	532 x 344 Golden Oak <input type="checkbox"/>	
330 Round Stainless Steel <input type="checkbox"/>	532 x 344 Anthracite <input type="checkbox"/>	
	532 x 344 Black <input type="checkbox"/>	
None <input type="checkbox"/>		

Extras
External Cylinder Lock <input type="checkbox"/>
LH / RH - As Viewed From Inside
Lifting Handle (Inc. on Manual Doors) <input type="checkbox"/>
Transmitter Holder <input type="checkbox"/>
External Quick Release <input type="checkbox"/>
None <input type="checkbox"/>

WE RESERVE THE RIGHT TO CHANGE SIZES/MEASUREMENTS & OPTIONS WITHOUT PRIOR NOTICE

• Declaration of Performance

Construction Products Regulation

Declaration of Performance

1. Door Type EXS40R Residential Garage Door
2. Serial no Unique drawing reference
3. Operation Power operated door
4. Intended use External door for vehicle access
5. Manufacturer OSA Door Parts Ltd
Ashville Industrial Estate
Runcorn
Cheshire UK
WA7 3EZ
6. Assessment Level 3
7. Harmonised Standard BS EN 13241-1:2003 + A1:2011

0402-CPR-471401

SP Technical Research Institute of Sweden
performed Initial Type Tests under system 3
and issued test report SP ref: PX28459K
8. Declared Performance

Essential Characteristic	Declared performance	Harmonised Standard
Watertightness	Class 3	EN 13241-1:2003 + A1:2011
Dangerous substances	None	
Resistance to wind load	5	
Thermal resistance	0.9 W/m ² .K	
Air Permeability	Class 3	
Safe opening - for vertically opening doors	Pass	
Definition of geometry of glass components	Pass	
Mechanical resistance and stability	Pass	
Operating forces	Pass	
Durability of water tightness, thermal resistance and air permeability	Pass	

9. The performance of the product identified in points 1 and 2 is in conformity with the declared performance in point 8. This declaration of performance is issued under the sole responsibility of the manufacturer identified in point 5.

Signed for and on behalf of the manufacturer by:



W.Hammond
Director
October 2015



Construction Products Regulation

Declaration of Performance

1. Door Type SFR200 Residential Garage Door
2. Serial no Unique drawing reference
3. Operation Power operated door
4. Intended use External door for vehicle access
5. Manufacturer OSA Door Parts Ltd
Ashville Industrial Estate
Runcorn
Cheshire UK
WA7 3EZ
6. Assessment Level 3
7. Harmonised Standard BS EN 13241-1:2003 + A1:2011

0402-CPR-531001

SP Technical Research Institute of Sweden
performed Initial Type Tests under system 3
and issued test report SP ref: PX28459M
8. Declared Performance

Essential Characteristic	Declared performance	Harmonised Standard
Watertightness	Class 3	EN 13241-1:2003 + A1:2011
Dangerous substances	None	
Resistance to wind load	5	
Thermal resistance	0.9 W/m ² .K	
Air Permeability	Class 3	
Safe opening - for vertically opening doors	Pass	
Definition of geometry of glass components	Pass	
Mechanical resistance and stability	Pass	
Operating forces	Pass	
Durability of water tightness, thermal resistance and air permeability	Pass	

9. The performance of the product identified in points 1 and 2 is in conformity with the declared performance in point 8. This declaration of performance is issued under the sole responsibility of the manufacturer identified in point 5.

Signed for and on behalf of the manufacturer by:



W.Hammond
Director
October 2015



Construction Products Regulation

Declaration of Performance

1. Door Type REN70 Residential Garage Door
2. Serial no Unique drawing reference
3. Operation Power operated door
4. Intended use External door for vehicle access
5. Manufacturer OSA Door Parts Ltd
Ashville Industrial Estate
Runcorn
Cheshire UK
WA7 3EZ
6. Assessment Level 3
7. Harmonised Standard BS EN 13241-1:2003 + A1:2011

0402-CPR-471401

SP Technical Research Institute of Sweden
performed Initial Type Tests under system 3
and issued test report SP ref: PX28459K
8. Declared Performance

Essential Characteristic	Declared performance	Harmonised Standard
Watertightness	Class 3	EN 13241-1:2003 + A1:2011
Dangerous substances	None	
Resistance to wind load	5	
Thermal resistance	0.9 W/m ² .K	
Air Permeability	Class 3	
Safe opening - for vertically opening doors	Pass	
Definition of geometry of glass components	Pass	
Mechanical resistance and stability	Pass	
Operating forces	Pass	
Durability of water tightness, thermal resistance and air permeability	Pass	

9. The performance of the product identified in points 1 and 2 is in conformity with the declared performance in point 8. This declaration of performance is issued under the sole responsibility of the manufacturer identified in point 5.

Signed for and on behalf of the manufacturer by:



W.Hammond
Director
October 2015



YOUR LOCAL AUTHORISED DEALER:

