



clever light solutions



50MM DIAMETER LED DOWN LIGHT

BENEFITS

- Designed for long product life - electronics and LEDs
- Instantly bright and colour stability over lifetime of product
- Environmentally friendly - mercury free
- Significantly reduces maintenance costs
- Intelligently and aesthetically designed
- Low energy consumption
- Reflector version or optic version

FEATURES

- Light Output: Up to 1000 lumens
- Input Power: 13 Watts
- CCT: 2700K, 3000K
- IP rating - IP20
- Beam angles
 - Reflector 27°, 33° or 69°
 - Optic 23°, 25° or 31°
- Under private label or Forge Europa branded

APPLICATION

- Input current - 350mA (36V typ.)
- Dimmable with appropriate constant current driver
- Bezel: 50mm Ø
- Ideal for indoor commercial lighting installations, including:
 - Offices
 - Hotels
 - Schools / Colleges

PART NUMBERS

OPTIC

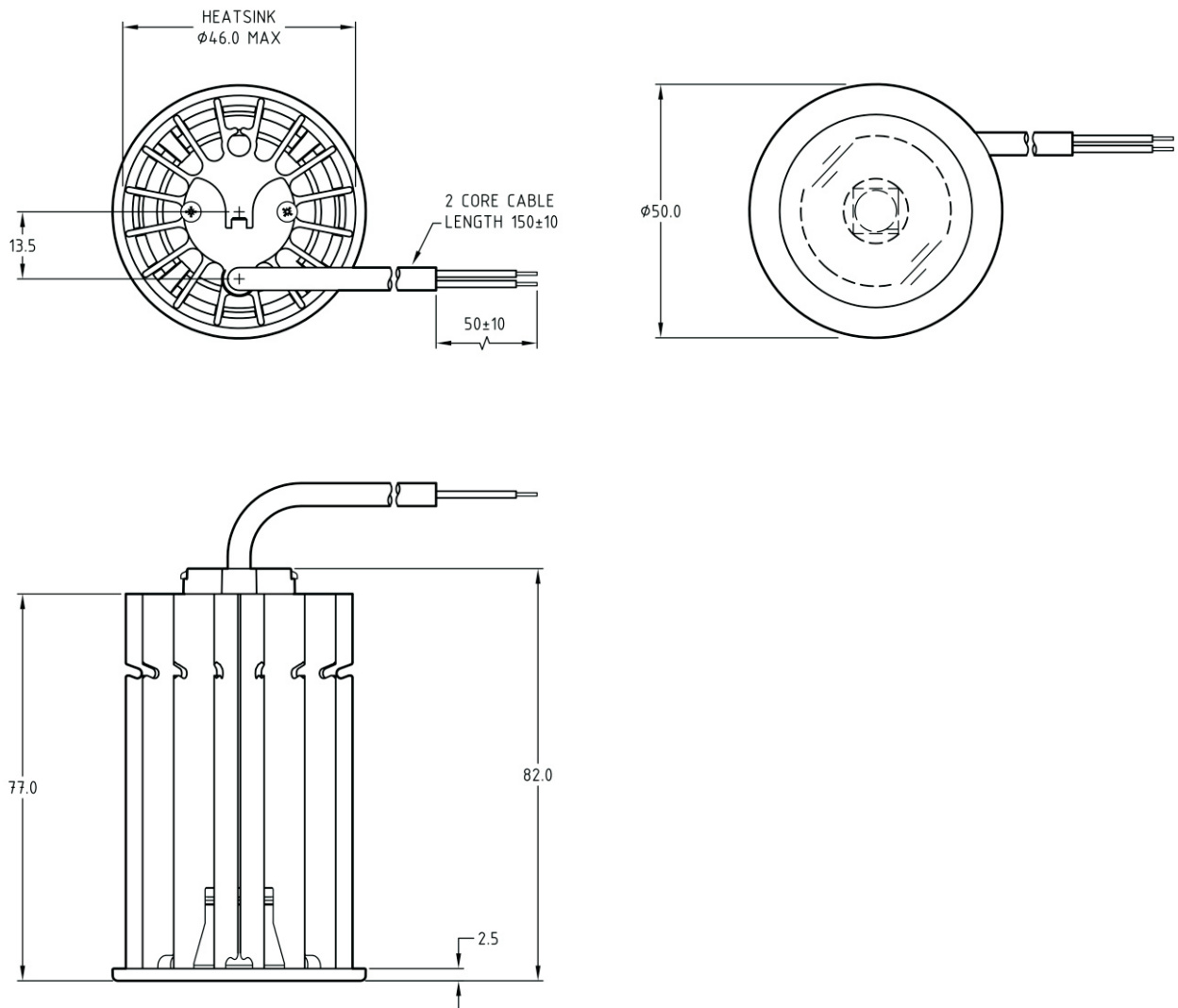
- FDL-050W0027232700K CCT / 23°
- FDL-050W0030233000K CCT / 23°
- FDL-050W0027252700K CCT / 25°
- FDL-050W0030253000K CCT / 25°
- FDL-050W0027392700K CCT / 31°
- FDL-050W0030393000K CCT / 31°

REFLECTOR

- FDL-050W0027272700K CCT / 27°
- FDL-050W0030273000K CCT / 27°
- FDL-050W0027332700K CCT / 33°
- FDL-050W0030333000K CCT / 33°
- FDL-050W0027692700K CCT / 69°
- FDL-050W0030693000K CCT / 69°

DIMENSIONS

SHOWN IN MILLIMETRES



PACKAGING

All Forge Europa LED luminaires are supplied packaged into an individual protective box. These boxes are available in the Forge Europa brand, plain white or private label. Please contact our sales team for more information regarding prices and minimum order quantities associated with each packaging option.

DISCLAIMER

No representation, warranty, responsibility or liability is or will be accepted by Forge Europa Limited in relation to the accuracy or completeness of any information it provides. It is the responsibility of the customer to verify the suitability of the product for its application. All design work supplied by Forge Europa Limited is to be assumed confidential and is the sole property of Forge Europa Limited. It must not be used, copied or disclosed to any third party without the prior written consent of Forge Europa Limited.

All contracts are subject to Forge Europa Limited's General Terms and Conditions of Trading which can be found at www.forge-europa.co.uk

