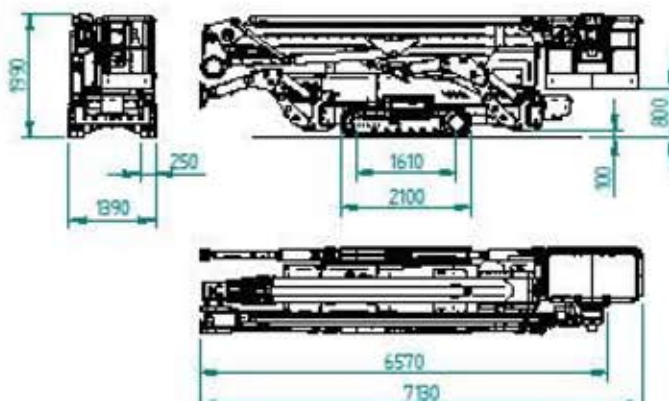
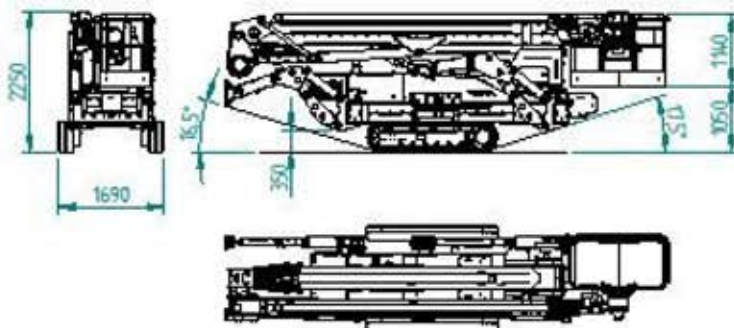




# Technical Data Spider 33.15 Tracked Access Platform

Tel: 01274 666 676 Fax: 01274 669 000 Email:sales@trackedaccessplatforms.com Web:www.trackedaccessplatforms.com

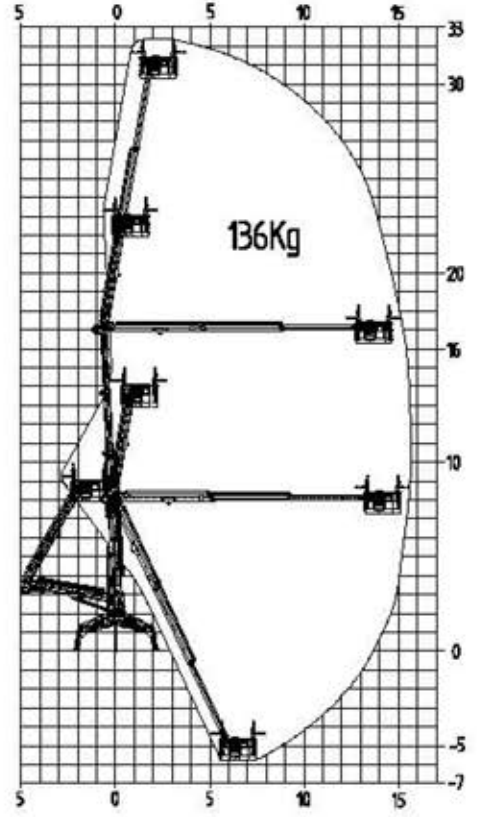
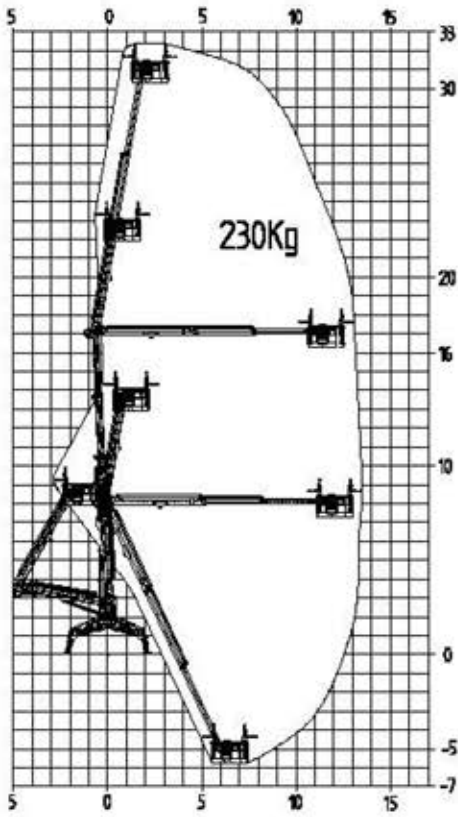
Max working height	32.4 m
Max cage floor height	30.4 m
Max side outreach (136kg)	15.2 m
Cage rotation angle	180°
Cage dimensions	1500mm x 800mm x 1100mm
Max working load	230kg
Length in stowed position	6.57 m without cage, 7.13 m with cage
Min. Stowed width	1.39 m
Min. stowed height	1.99m
Driving speed	2,2 KMH
Diesel Engine (Kubota)	22hp
Max gradeability	17° (31%)
Max lateral gradeability	17° (31%)
Total weight	6,000kg
Ground tracks load	4.1 KN/m <sup>2</sup>
Surface load in wide stabiliser set up	3 KN/m <sup>2</sup>
Option: Traction batteries	420A/24VDC
Option: Electric power pack 7.5 hp	415v 3 phase





# Spider 33.15 Working Envelope

## Wide Footprint



## Narrow Footprint

