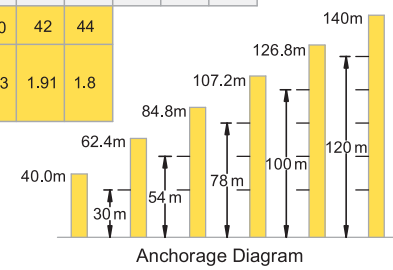


TC 5540 Tower Crane

5 t

Load Capacity

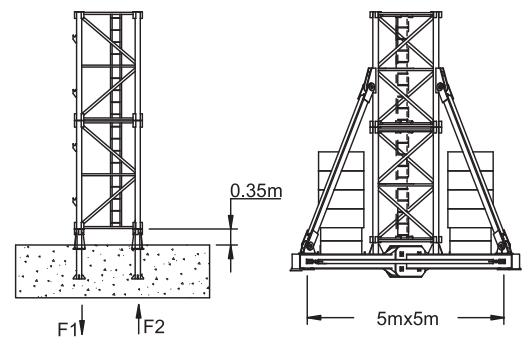
Jib Length	Radius (m)		2.5~13.64	16	18	22	24	26	28	30	32	34	36	38	40	42	44	46	48	50	53	55		
	55m	Hoisting Load (t)		5.00	4.70	3.90	3.24	2.93	2.66	2.43	2.24	2.06	1.91	1.78	1.66	1.55	1.46	1.37	1.29	1.21	1.15	1.06	1.00	
			2.50																					
Jib Length 50m	Radius (m)		2.5~16	18	22	24	26	28	30	32	34	36	38	40	42	44	46	48	50					
	Hoisting Load (t)		5.00	4.56	3.62	3.27	2.97	2.72	2.48	2.31	2.15	2.00	1.87	1.75	1.64	1.54	1.46	1.37	1.30					
			2.50																					
Jib Length 44m	Radius (m)		2.5~18	22	24	26	28	30	32	34	36	38	40	42	44									
	Hoisting Load (t)		5.00	4.14	3.74	3.43	3.13	2.88	2.67	2.48	2.31	2.16	2.03	1.91	1.8									
			2.50																					
Jib Length 38m	Radius (m)		2.5~18	22	24	26	28	30	32	34	36	38												
	Hoisting Load (t)		5.00	4.38	3.96	3.61	3.31	3.05	2.83	2.63	2.46	2.30												
			2.50																					



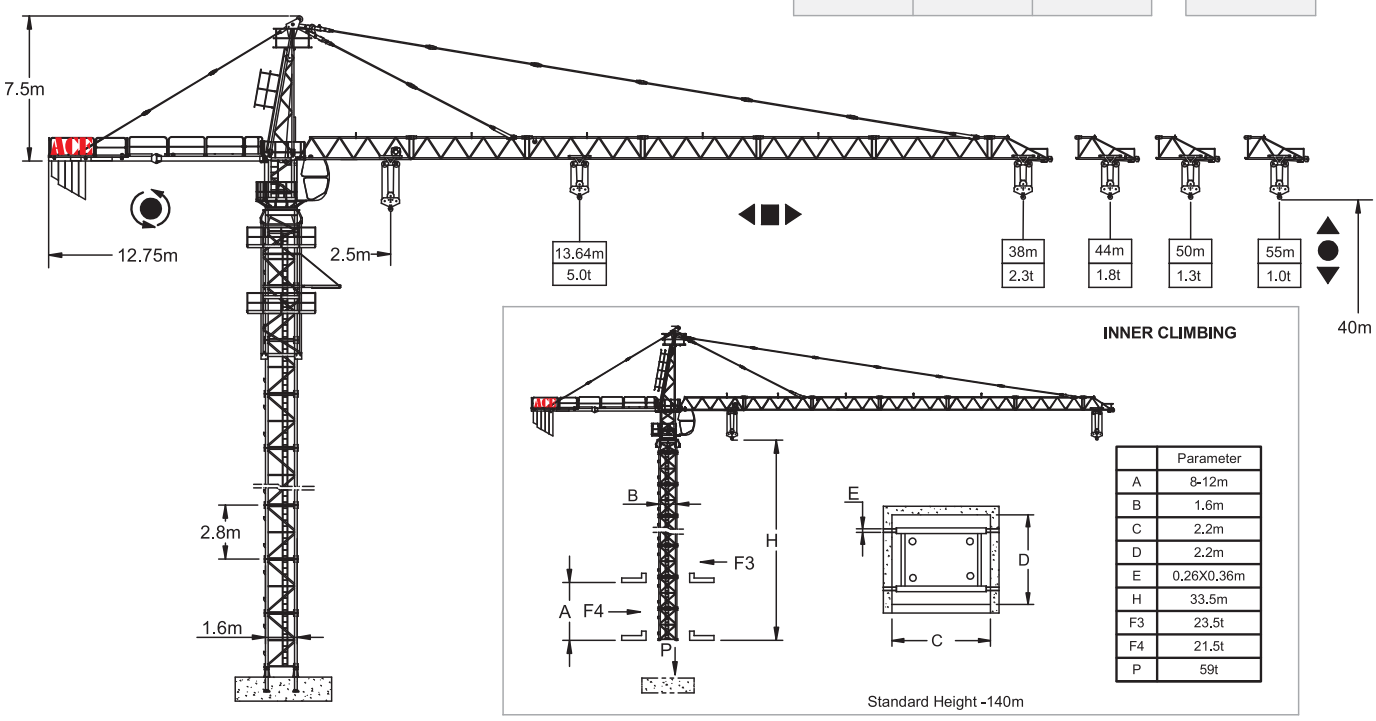
Specifications

Hoisting	No of Falls							
	Speed (m/min)		11.75	40	80	5.87	20	40
	Hoisting Load (t)		2.5	2.5	1.28	5	5	2.56
	Power (kw)		5	18	18	5	18	18
Slewing	Speed (rpm)		0 ~ 0.6					
	Power (kw)		2 x 2.2					
Trolley	Speed (m/min)		40		20			
	Power (kw)		3.3		2.2			
Climbing	Speed (m/min)		0.55 - 0.7					
	Power (kw)		5.5					
Main Supply			415V / 50Hz					
Electric Power			25.7kw (32.1 kVA)					
Variant Model			6 Ton Max. Capacity Mechanism at 13.64m					

Outrigger Stationary Chassis Stationary/Rail Mounted



F1		72t		86t		
F2		43t		66t		32 t



F Reaction In Service Out of Service Dead weight without load and counter weights but with longest jib and free standing height.
P - Vertical Load