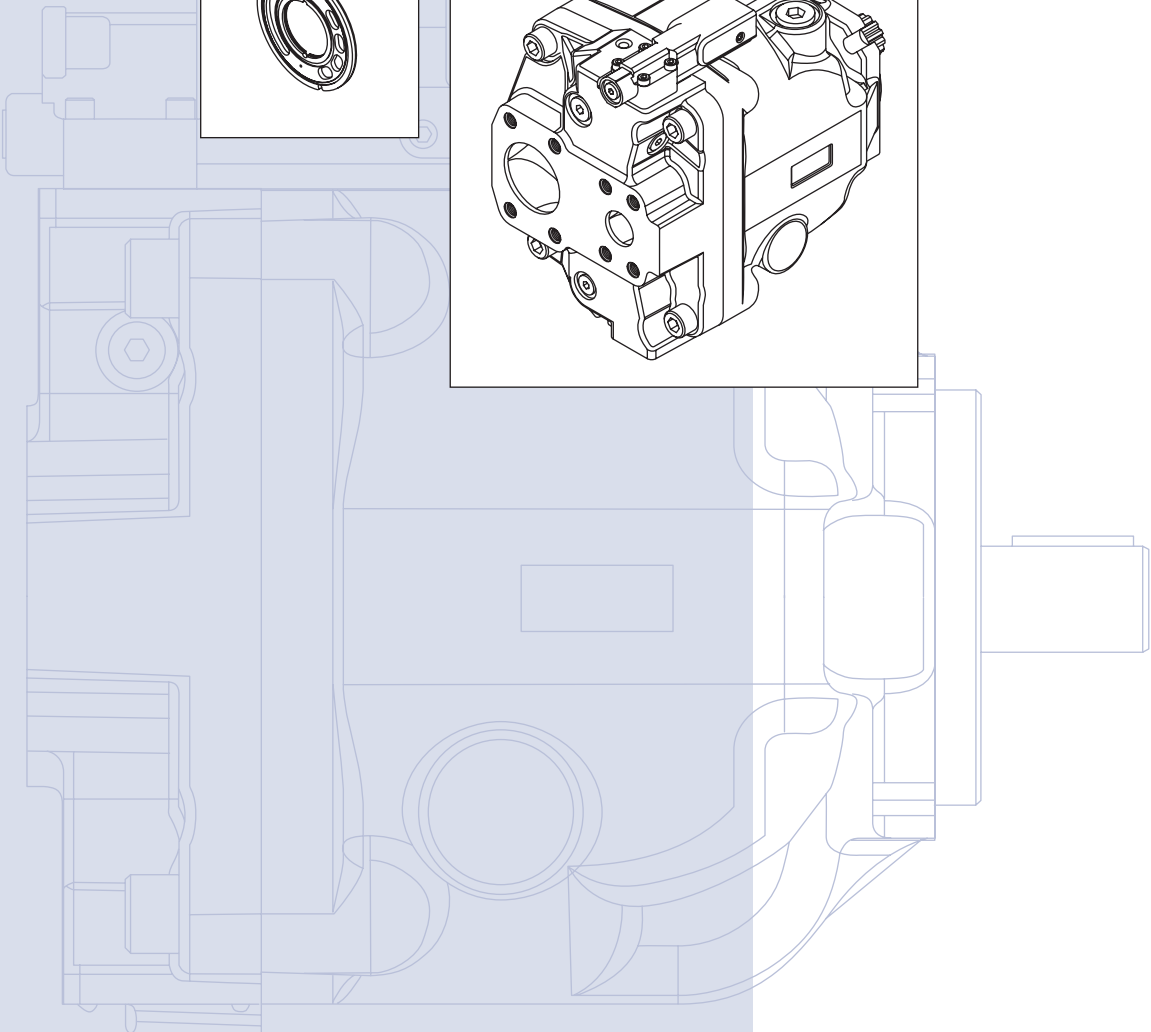
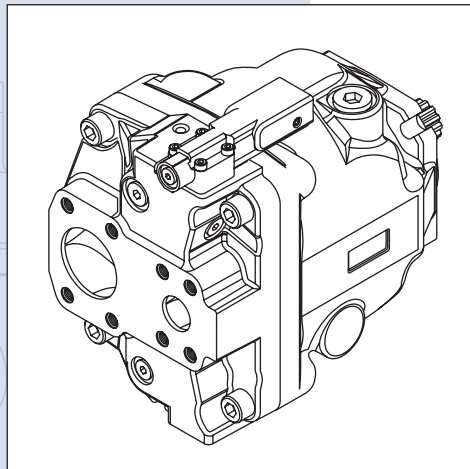
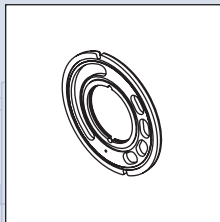
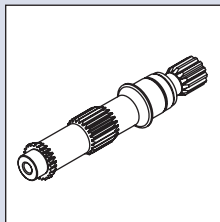
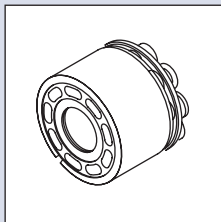




Series 45 E Frame
100, 130, and
147cc Open Circuit
Pumps

Service Parts
Manual





Series 45 E Frame 100, 130, and 147 cc Open Circuit Pumps Service Parts Manual

© 2003 Sauer-Danfoss. All rights reserved. Printed in U.S.A.

Sauer-Danfoss accepts no responsibility for possible errors in catalogs, brochures and other printed material. Sauer-Danfoss reserves the right to alter its products without prior notice. This also applies to products already ordered provided that such alterations aren't in conflict with agreed specifications. All trademarks in this material are properties of their respective owners. Sauer-Danfoss and the Sauer-Danfoss logotype are trademarks of the Sauer-Danfoss Group.

Front cover illustrations: P100 545, P100 623, P100 622, P100 621



Series 45 E Frame 100, 130, and 147 cc Open Circuit Pumps Service Parts Manual Contents

GENERAL INFORMATION	Service parts identification.....	5
	Nameplate	5
	Date code.....	6
	Service bulletins	6
	Procedure to identify a part	6
ORDER CODE	Order code.....	7
CONTROL	Load sensing.....	8-11
	Pressure compensating	12-13
	Remote pressure compensating	14-15
INPUT SHAFT	Shaft.....	16-43
AUXILIARY MOUNTING	Auxiliary flange	16-43
END CAP	End cap	16-43
HOUSING/SHAFT SEAL	Housing/shaft seal	44-45
DISPLACEMENT LIMITER	Displacement limiter.....	44-45
SPECIAL HARDWARE	Special hardware.....	44-45
CYLINDER BLOCK KIT	Cylinder block kit.....	44-45
DISPLACEMENT	Displacement.....	44-45
SEAL KIT	Overhaul seal kit.....	46



Series 45 E Frame 100, 130, and 147 cc Open Circuit Pumps
Service Parts Manual
Notes

SERVICE PARTS IDENTIFICATION

Use this information and procedure to identify the module group, item number, manufacture date, part number, and part name. The E frame includes the 100, 130 and 147cc displacement pumps.

The parts listed include all parts that may be used when performing either “Minor Repairs,” “Major Repairs” or “Conversions” on the E frame open circuit pumps.

NAMEPLATE

Each unit has a nameplate affixed to its housing. The nameplate includes this information.

Model Code

The Sauer-Danfoss model code completely defines the specific unit. Use it when ordering parts to service this product.

Model Number

The manufacturing factory uses the Sauer-Danfoss model numbers. On repeat orders, order a complete unit by the model number

Serial Number

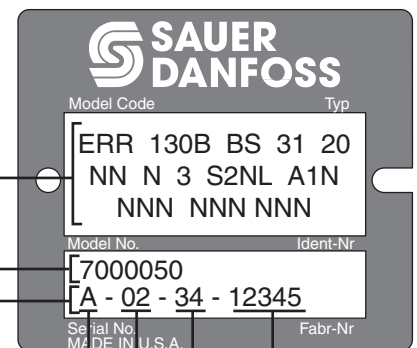
The Sauer-Danfoss serial number identifies the manufacture date and the unit sequence in the build. The serial number also identifies the units warranty time period.

The letter code indicates the location of original manufacture (assembly). “A” indicates the unit was originally assembled in Ames, Iowa, USA.

The first number (2 digits) indicates the year of manufacture. (“02” would indicate the unit was manufactured in 2002).

The second number (2 digits) indicates the calendar week of manufacture.

The third number (5 digits) is a sequential number used to identify a specific unit.



The date code is the year and week of manufacture. The same item number may list more than one part number. This indicates that there is more than one configuration for that item number. You will see that there are different date codes for the different part numbers. Find the date code of your unit from the nameplate to determine the service part number you need to order.

EXAMPLE: The service part desired is Item C090

Order code	Item	Date begin	Date end	Part number	Part name	Qty. per model/kit
LB	C090	98-02		4570245	Spool (SB-1997-028)	1
	"	94-34	98-01	4570025	Spool	1

All units using this order code with a date code of 94-34 and up to and including 98-01 must use part number "4570025".

All units with a date code of 98-02 and newer must use part number "4570245".

SERVICE BULLETINS

A Service Bulletin Number (SB-____ - ____) may follow the "Part Name" of the part you desire. You must read that Service Bulletin before ordering that part. The information contained in these Service Bulletins, as of the print date of this bulletin, are at the end of this manual. Service Bulletins contain more detailed information, such as: interchangeability, what additional parts are involved, etc. We suggest that you add additional Service Bulletins to this manual as you receive them.

PROCEDURE TO IDENTIFY A GIVEN PART/PART NUMBER

General

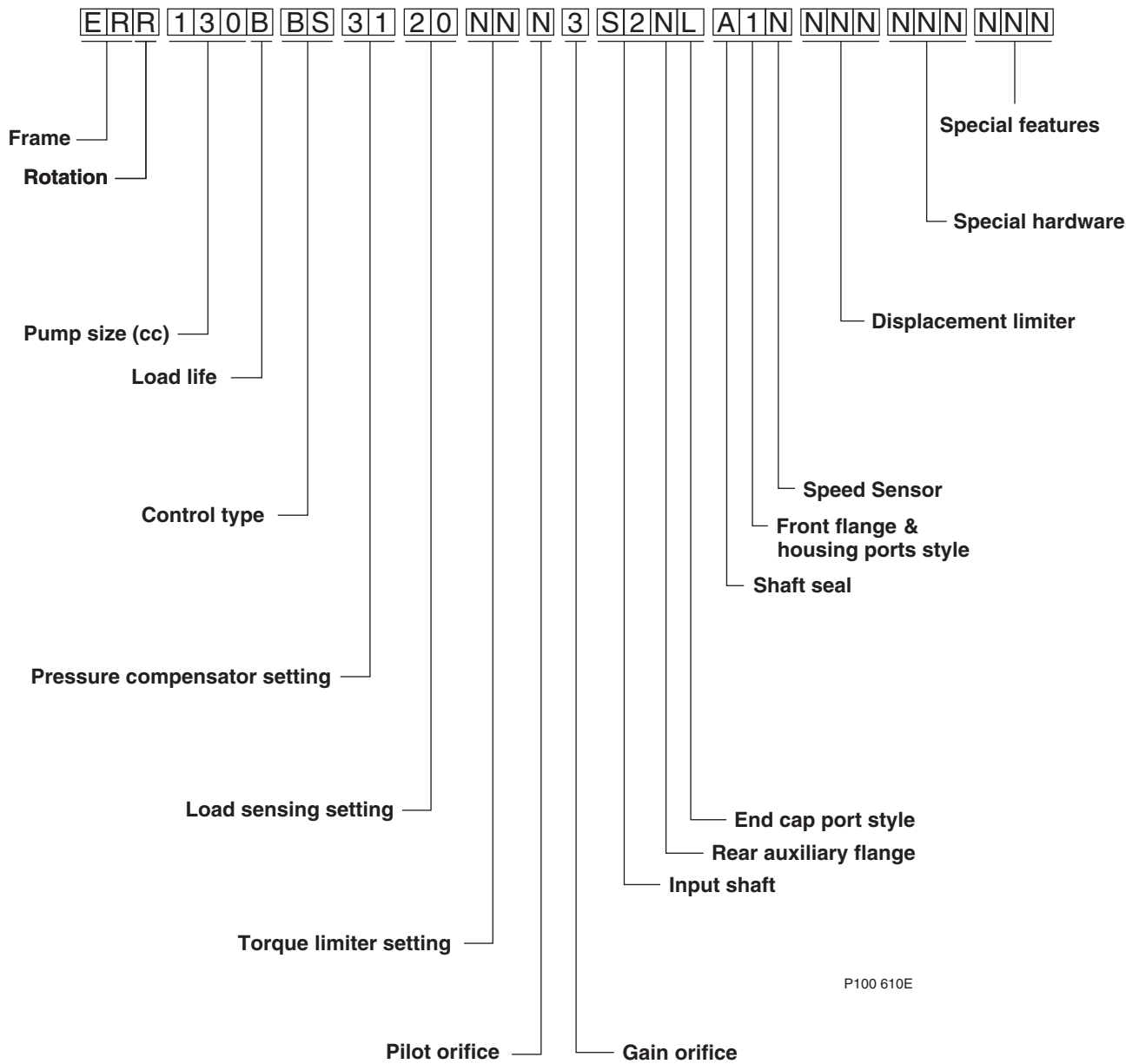
The modular design of Series 45 units results in a simplified service parts list and part number identification procedure. The same item numbers are used for same part names on all units within a product type. (Example: The lip seal - Item K020 has the same item number on all pumps.)

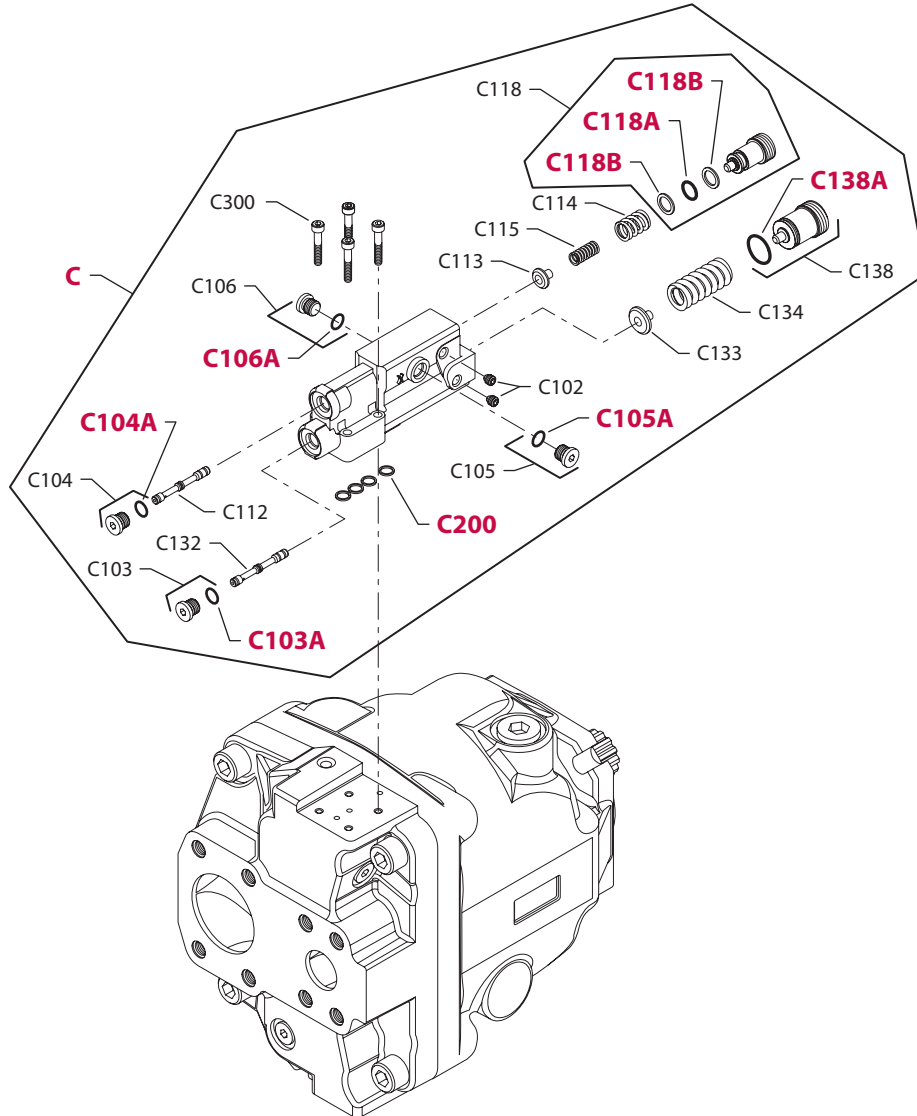
A part number that has another number following it in parentheses makes this a world wide manual. The first number is sold in Germany. The number in parentheses is sold in the United States. (Example: 016014 (9006200-0206); customers would order 9006200-0206 if ordering the part in the United States.)

Example of a Part Identification

The nameplate on a Series 45 pump has an Order Code of ERR 130B BS 31 20 NN N 3 S2NL A1N NNN NNN NNN. Do this to determine the part number of the drive shaft used on this pump.

- 1) Referring to the input shaft module in the Order Code (see page 7), the input shaft option for this pump is identified by the code "S2NL". (ERR 130B BS 31 20 NN N 3 **S2NL** A1N NNN NNN NNN)
- 2) Referring to the Service Parts List, find the shaft group.
- 3) Next find the order code that relates to this unit, which is "S2NL". The shaft is found to be item J010 and part number 1700455.





E100 580E

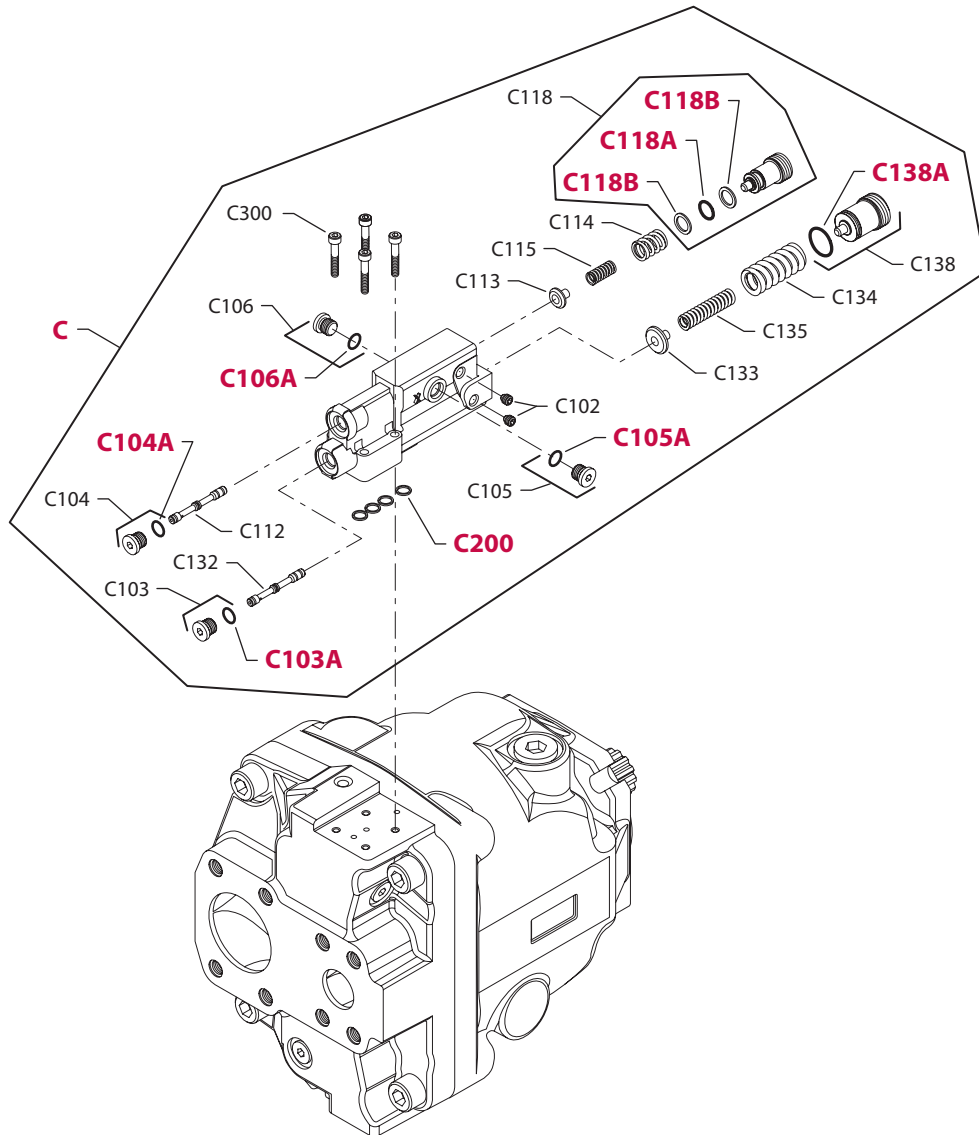
ENLARGED **BOLD** TYPE ITEM
NUMBERS ARE RECOMMENDED
PARTS TO BE STOCKED FOR SERVICING

COMMON LOAD SENSING CONTROL PARTS

Order code	Item	Date begin	Date end	Part number	Part name	Qty. per model/kit
	C102	03-08		4740064	Set screw	2
	C103	03-08		327007 (9005110-4400)	Plug	1
	C103A	03-08		001123 (9004201-2500)	O-ring	1
	C104	03-08		327007 (9005110-4400)	Plug	1
	C104A	03-08		001123 (9004201-2500)	O-ring	1
	C105	03-08		327007 (9005110-4400)	Plug	1
	C105A	03-08		001123 (9004201-2500)	O-ring	1
	C106	03-08		327007 (9005110-4400)	Plug	1
	C106A	03-08		001123 (9004201-2500)	O-ring	1
	C113	03-08		4740246	Spring guide	1
	C114	03-08		4740061	Spring	1
	C115	03-08		4740062	Spring	1
	C118	03-08		1700582	Adjusting plug	1
	C118A	03-08		5000503 (9004104-1110)	O-ring	1
	C118B	03-08		5000657	Backup ring	2
	C132	03-08		4740308	Spool	1
	C133	03-08		4740247	Spring guide	1
	C138	03-08		1700597	Adjusting plug	1
	C138A	03-08		5000656	O-ring	1
	C200	03-08		4740154	Seal ring	4
	C300	03-08		5000164 (9007314-0507)	Screw	4

LOAD SENSING CONTROL

AB	C	03-08		4510413	Control Kit, low pressure	1
	C112	03-08		4740228	Spool	1
	C134	03-08		4740318	Spring, PC light	1
AS	C	03-08		4510414	Control Kit, low pressure	1
	C112	03-08		4740308	Spool	1
	C134	03-08		4740318	Spring, PC light	1
BB	C	03-08		4510415	Control Kit, high pressure	1
	C112	03-08		4740228	Spool	1
	C134	03-08		4740324	Spring, PC heavy	1
BS	C	03-08		4510416	Control Kit, high pressure	1
	C112	03-08		4740308	Spool	1
	C134	03-08		4740324	Spring, PC heavy	1



E100 581E

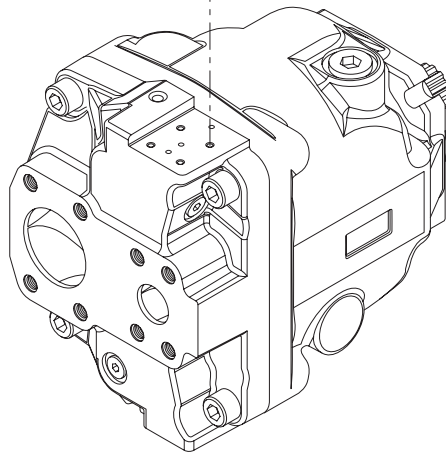
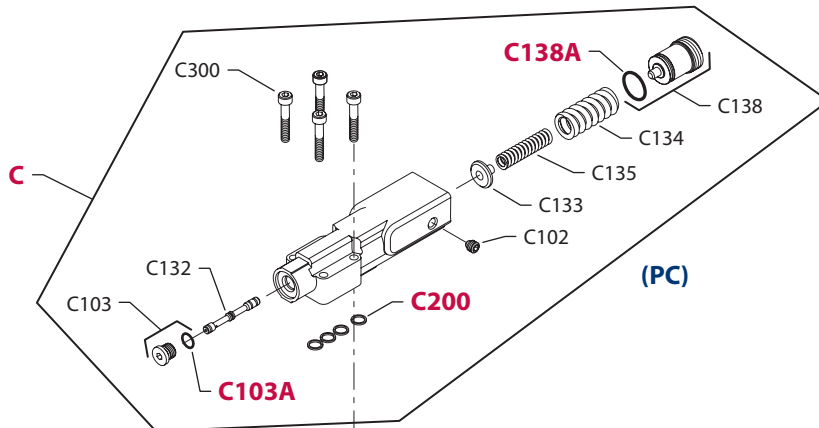
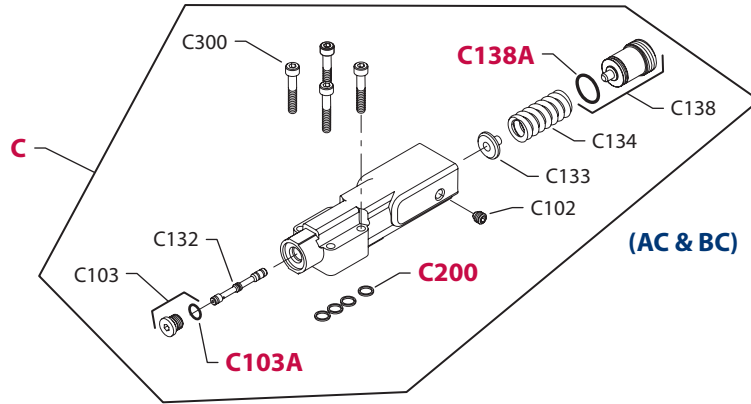
ENLARGED **BOLD** TYPE ITEM
NUMBERS ARE RECOMMENDED
PARTS TO BE STOCKED FOR SERVICING

COMMON LOAD SENSING CONTROL PARTS

Order code	Item	Date begin	Date end	Part number	Part name	Qty. per model/kit
	C102	03-08		4740064	Set screw	2
	C103	03-08		327007 (9005110-4400)	Plug	1
	C103A	03-08		001123 (9004201-2500)	O-ring	1
	C104	03-08		327007 (9005110-4400)	Plug	1
	C104A	03-08		001123 (9004201-2500)	O-ring	1
	C105	03-08		327007 (9005110-4400)	Plug	1
	C105A	03-08		001123 (9004201-2500)	O-ring	1
	C106	03-08		327007 (9005110-4400)	Plug	1
	C106A	03-08		001123 (9004201-2500)	O-ring	1
	C113	03-08		4740246	Spring guide	1
	C114	03-08		4740061	Spring	1
	C115	03-08		4740062	Spring	1
	C118	03-08		1700582	Adjusting plug	1
	C118A	03-08		5000503 (9004104-1110)	O-ring	1
	C118B	03-08		5000657	Backup ring	2
	C132	03-08		4740308	Spool	1
	C133	03-08		4740247	Spring guide	1
	C134	03-08		4740051	Spring, PC, outer	1
	C135	03-08		4740052	Spring, PC inner	1
	C138	03-08		1700581	Adjusting plug	1
	C138A	03-08		5000656	O-ring	1
	C200	03-08		4740154	Seal ring	4
	C300	03-08		5000164 (9007314-0507)	Screw	4

LOAD SENSING CONTROL

LB	C	03-08		4510388	Control Kit	1
	C112	03-08		4740228	Spool	1
LS	C	03-08		4510412	Control Kit	1
	C112	03-08		4740308	Spool	1

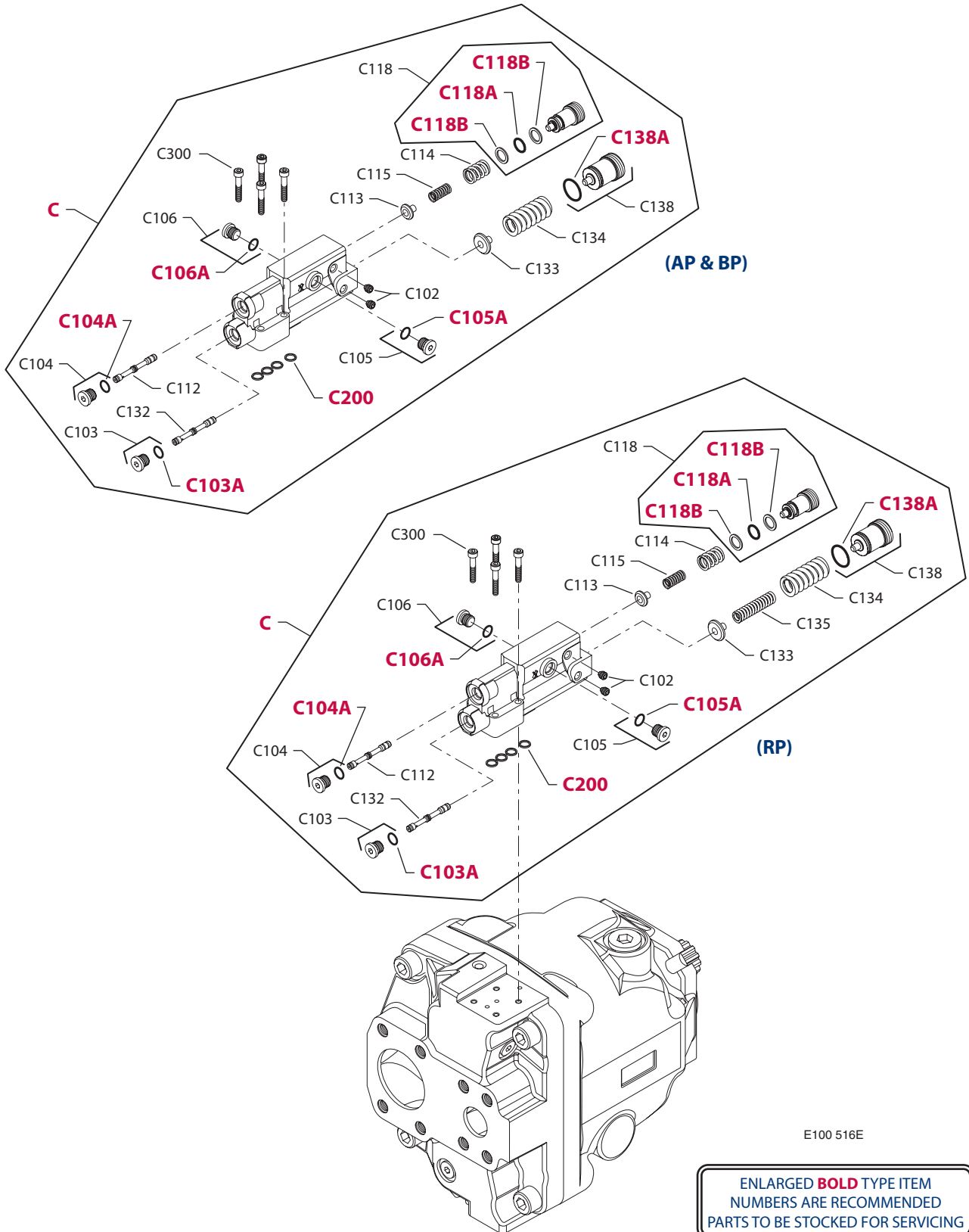


E100 517E

ENLARGED **BOLD** TYPE ITEM
NUMBERS ARE RECOMMENDED
PARTS TO BE STOCKED FOR SERVICING

PRESSURE COMPENSATING CONTROL

Order code	Item	Date begin	Date end	Part number	Part name	Qty. per model/kit
AC	C	03-08		4510420	Control Kit, low pressure	1
	C102	03-08		4740064	Set screw	2
	C103	03-08		327007 (9005110-4400)	Plug	1
	C103A	03-08		001123 (9004201-2500)	O-ring	1
	C132	03-08		4740308	Spool	1
	C133	03-08		4740247	Spring guide	1
	C134	03-08		4740318	Spring, PC light	1
	C138	03-08		1700597	Adjusting plug	1
	C138A	03-08		5000656	O-ring	1
	C200	03-08		4740154	Seal ring	4
	C300	03-08		5000164 (9007314-0507)	Screw	4
BC	C	03-08		4510421	Control Kit, high pressure	1
	C102	03-08		4740064	Set screw	2
	C103	03-08		327007 (9005110-4400)	Plug	1
	C103A	03-08		001123 (9004201-2500)	O-ring	1
	C132	03-08		4740308	Spool	1
	C133	03-08		4740247	Spring guide	1
	C134	03-08		4740324	Spring, PC heavy	1
	C138	03-08		1700597	Adjusting plug	1
	C138A	03-08		5000656	O-ring	1
	C200	03-08		4740154	Seal ring	4
	C300	03-08		5000164 (9007314-0507)	Screw	4
PC	C	03-08		4510422	Control Kit	1
	C102	03-08		4740064	Set screw	2
	C103	03-08		327007 (9005110-4400)	Plug	1
	C103A	03-08		001123 (9004201-2500)	O-ring	1
	C132	03-08		4740308	Spool	1
	C133	03-08		4740247	Spring guide	1
	C134	03-08		4740051	Spring, PC outer	1
	C135	03-08		4740052	Spring, PC inner	1
	C138	03-08		1700581	Adjusting plug	1
	C138A	03-08		5000656	O-ring	1
	C200	03-08		4740154	Seal ring	4
	C300	03-08		5000164 (9007314-0507)	Screw	4



E100 516E

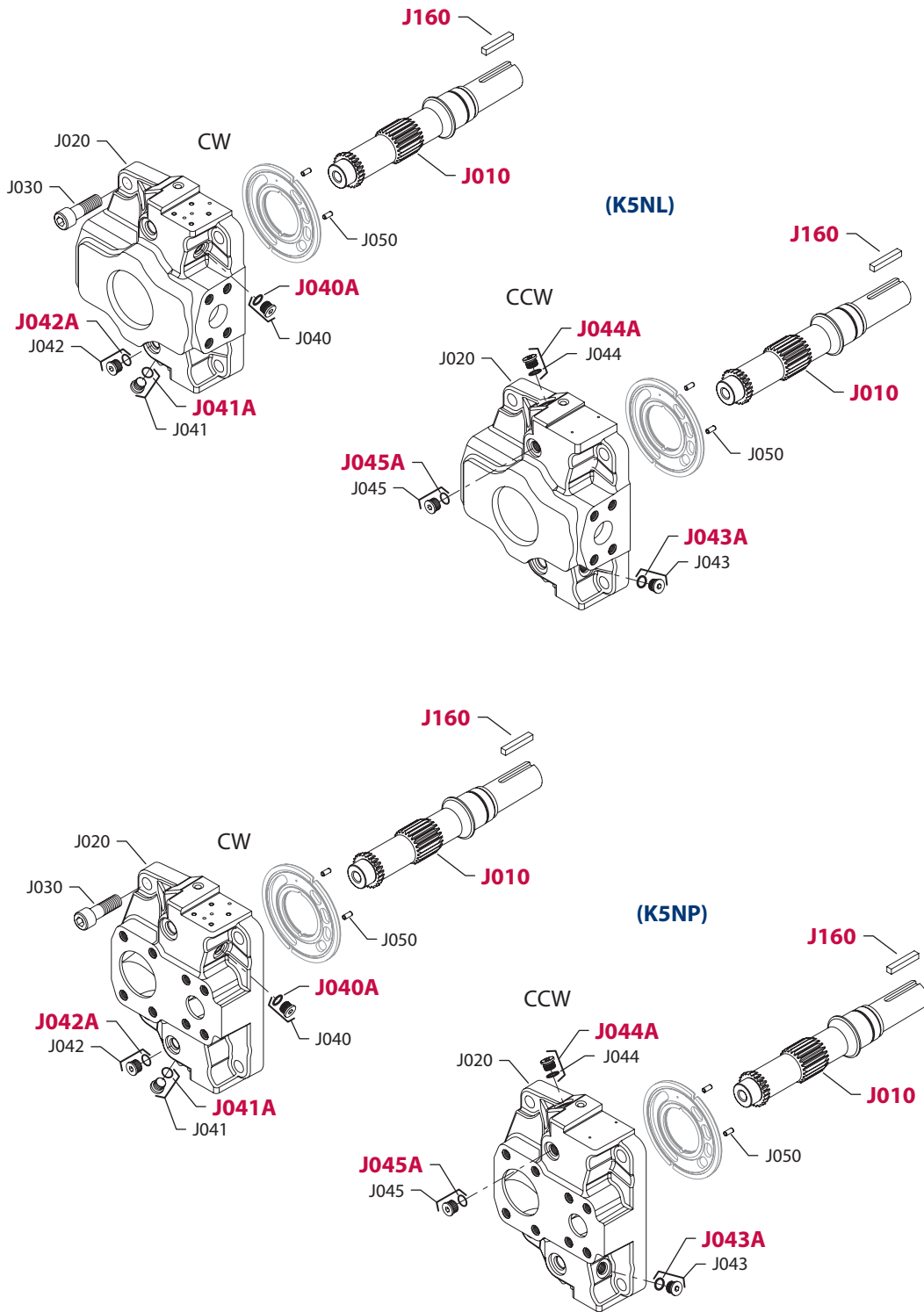
ENLARGED **BOLD** TYPE ITEM
NUMBERS ARE RECOMMENDED
PARTS TO BE STOCKED FOR SERVICING

COMMON PRESSURE COMPENSATING CONTROL PARTS, REMOTE

Order code	Item	Date begin	Date end	Part number	Part name	Qty. per model/kit
	C102	03-08		4740064	Set screw	2
	C103	03-08		327007 (9005110-4400)	Plug	1
	C103A	03-08		001123 (9004201-2500)	O-ring	1
	C104	03-08		327007 (9005110-4400)	Plug	1
	C104A	03-08		001123 (9004201-2500)	O-ring	1
	C105	03-08		327007 (9005110-4400)	Plug	1
	C105A	03-08		001123 (9004201-2500)	O-ring	1
	C106	03-08		327007 (9005110-4400)	Plug	1
	C106A	03-08		001123 (9004201-2500)	O-ring	1
	C112	03-08		4740300	Spool	1
	C113	03-08		4740301	Spring guide	1
	C114	03-08		4740061	Spring	1
	C115	03-08		4740062	Spring	1
	C118	03-08		1700582	Adjusting plug	1
	C118A	03-08		5000503 (9004104-1110)	O-ring	1
	C118B	03-08		5000657	Backup ring	2
	C132	03-08		4740308	Spool	1
	C133	03-08		4740247	Spring guide	1
	C138A	03-08		5000656	O-ring	1
	C200	03-08		4740154	Seal ring	4
	C300	03-08		5000164 (9007314-0507)	Screw	4

PRESSURE COMPENSATING CONTROL, REMOTE

AP	C	03-08		4510417	Control Kit, remote PC, low pressure	1
	C134	03-08		4740318	Spring, PC light	1
	C138	03-08		1700597	Adjusting plug	1
BP	C	03-08		4510418	Control Kit, remote PC, high pressure	1
	C134	03-08		4740324	Spring, PC heavy	1
	C138	03-08		1700597	Adjusting plug	1
RP	C	03-08		4510419	Control Kit, remote PC	1
	C134	03-08		4740051	Spring, PC outer	1
	C135	03-08		4740052	Spring, PC inner	1
	C138	03-08		1700581	Adjusting plug	1



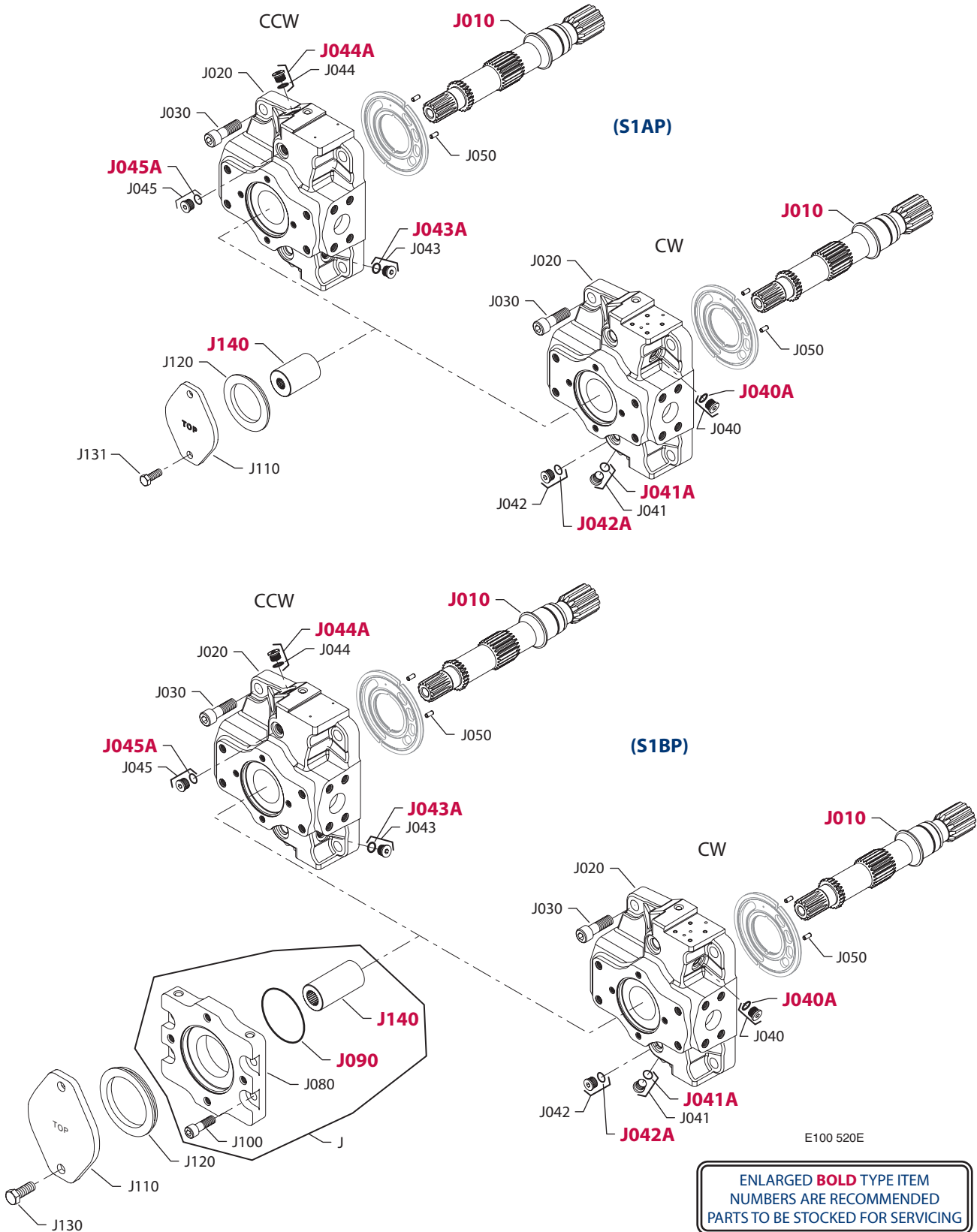
E100 582E

ENLARGED **BOLD** TYPE ITEM
NUMBERS ARE RECOMMENDED
PARTS TO BE STOCKED FOR SERVICING

SHAFT/AUXILIARY FLANGE/END CAP

Order code	Item	Date begin	Date end	Part number	Part name	Qty. per model/kit
K5NL	J010	03-08		1700806	Shaft, straight key	1
	J012	03-08		331603 (9003261-3724)	Key, square	1
	J020	03-08		1700325	End cap, cw, axial ports, ERR	1
	"	03-08		1700326	End cap, ccw, axial ports, ERL	1
	J030	03-08		5000633	Screw	4
	J040	03-08		515965 (9005110-5600)	Plug, ERR	1
	J040A	03-08		085043 (9004201-3700)	O-ring, ERR	1
	J041	03-08		515965 (9005110-5600)	Plug, ERR	1
	J041A	03-08		085043 (9004201-3700)	O-ring, ERR	1
	J042	03-08		515965 (9005110-5600)	Plug, ERR	1
	J042A	03-08		085043 (9004201-3700)	O-ring, ERR	1
	J043	03-08		515965 (9005110-5600)	Plug, ERL	1
	J043A	03-08		085043 (9004201-3700)	O-ring, ERL	1
	J044	03-08		515965 (9005110-5600)	Plug, ERL	1
	J044A	03-08		085043 (9004201-3700)	O-ring, ERL	1
	J045	03-08		515965 (9005110-5600)	Plug, ERL	1
	J045A	03-08		085043 (9004201-3700)	O-ring, ERL	1
	J050	03-08		5000611	Pin	2

K5NP	J010	03-08		1700806	Shaft, straight key	1
	J012	03-08		331603 (9003261-3724)	Key, square	1
	J020	03-08		1700329	End cap, cw, radial ports, ERR	1
	"	03-08		1700330	End cap, ccw, radial ports, ERL	1
	J030	03-08		5000633	Screw	4
	J040	03-08		515965 (9005110-5600)	Plug, ERR	1
	J040A	03-08		085043 (9004201-3700)	O-ring, ERR	1
	J041	03-08		515965 (9005110-5600)	Plug, ERR	1
	J041A	03-08		085043 (9004201-3700)	O-ring, ERR	1
	J042	03-08		515965 (9005110-5600)	Plug, ERR	1
	J042A	03-08		085043 (9004201-3700)	O-ring, ERR	1
	J043	03-08		515965 (9005110-5600)	Plug, ERL	1
	J043A	03-08		085043 (9004201-3700)	O-ring, ERL	1
	J044	03-08		515965 (9005110-5600)	Plug, ERL	1
	J044A	03-08		085043 (9004201-3700)	O-ring, ERL	1
	J045	03-08		515965 (9005110-5600)	Plug, ERL	1
	J045A	03-08		085043 (9004201-3700)	O-ring, ERL	1
	J050	01-07		5000611	Pin	2



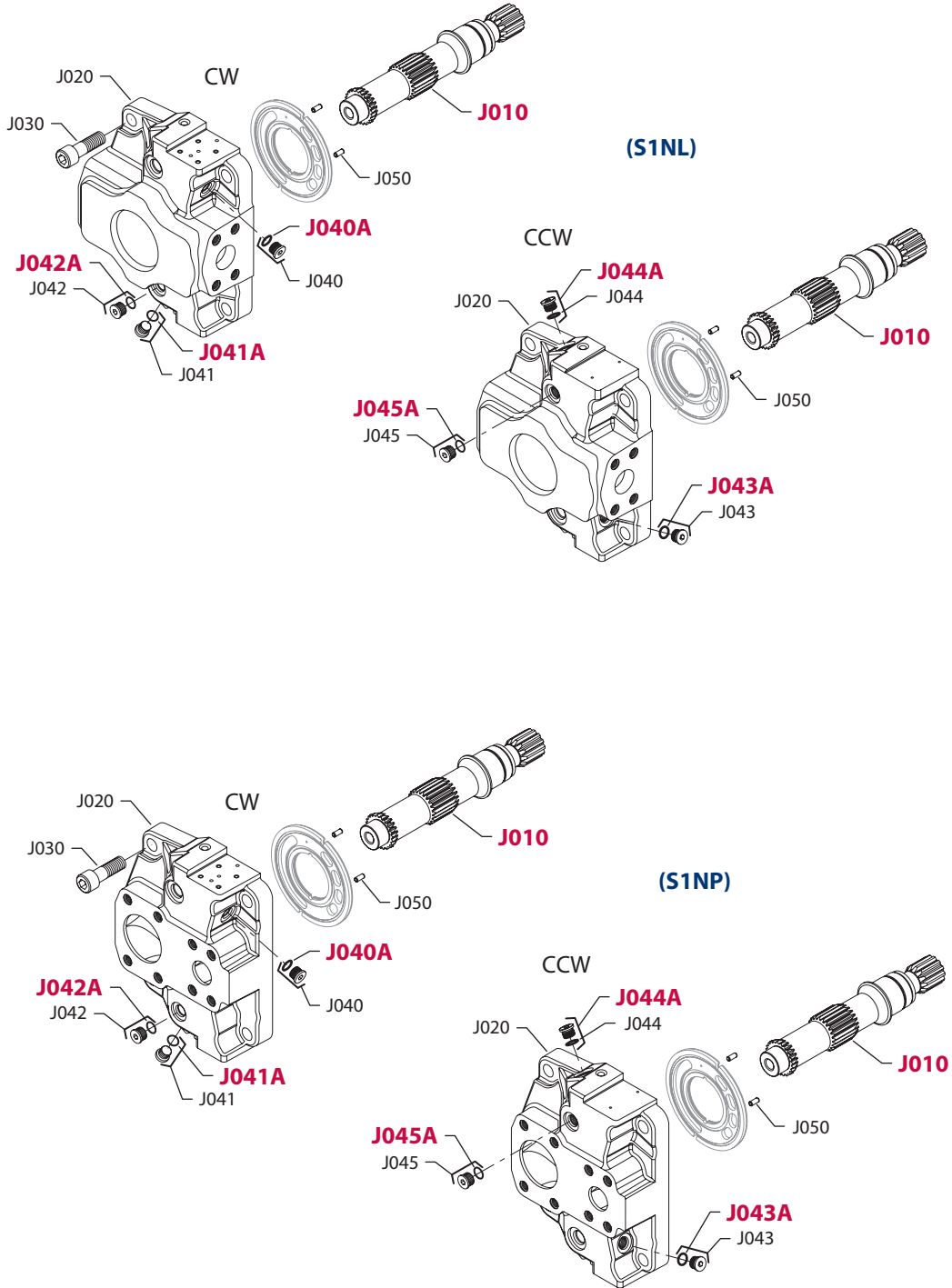
E100 520E

ENLARGED **BOLD** TYPE ITEM
NUMBERS ARE RECOMMENDED
PARTS TO BE STOCKED FOR SERVICING

SHAFT/AUXILIARY FLANGE/END CAP

Order code	Item	Date begin	Date end	Part number	Part name	Qty. per model/kit
S1AP	J010	03-08		1700783	Shaft, 14-tooth spline	1
	J020	03-08		1700407	End cap, cw, radial ports, ERR	1
	"	03-08		1700408	End cap, ccw, radial ports, ERL	1
	J030	03-08		5000633	Screw	4
	J040	03-08		515965 (9005110-5600)	Plug, ERR	1
	J040A	03-08		085043 (9004201-3700)	O-ring, ERR	1
	J041	03-08		515965 (9005110-5600)	Plug, ERR	1
	J041A	03-08		085043 (9004201-3700)	O-ring, ERR	1
	J042	03-08		515965 (9005110-5600)	Plug, ERR	1
	J042A	03-08		085043 (9004201-3700)	O-ring, ERR	1
	J043	03-08		515965 (9005110-5600)	Plug, ERL	1
	J043A	03-08		085043 (9004201-3700)	O-ring, ERL	1
	J044	03-08		515965 (9005110-5600)	Plug, ERL	1
	J044A	03-08		085043 (9004201-3700)	O-ring, ERL	1
	J045	03-08		515965 (9005110-5600)	Plug, ERL	1
	J045A	03-08		085043 (9004201-3700)	O-ring, ERL	1
	J050	03-08		5000611	Pin	2
	J110	03-08		4460586	Cover plate	1
	J120	03-08		4800482	A pad seal	1
	J131	03-08		049874 (9007200-3716)	Screw	2
	J140	03-08		1700402	Coupling, 9-tooth	1

S1BP	J	03-08		4510429	Auxiliary pad kit, SAE B	1
	J010	03-08		1700783	Shaft, 14-tooth spline	1
	J020	03-08		1700407	End cap, cw, radial ports, ERR	1
	"	03-08		1700408	End cap, ccw, radial ports, ERL	1
	J030	03-08		5000633	Screw	4
	J040	03-08		515965 (9005110-5600)	Plug, ERR	1
	J040A	03-08		085043 (9004201-3700)	O-ring, ERR	1
	J041	03-08		515965 (9005110-5600)	Plug, ERR	1
	J041A	03-08		085043 (9004201-3700)	O-ring, ERR	1
	J042	03-08		515965 (9005110-5600)	Plug, ERR	1
	J042A	03-08		085043 (9004201-3700)	O-ring, ERR	1
	J043	03-08		515965 (9005110-5600)	Plug, ERL	1
	J043A	03-08		085043 (9004201-3700)	O-ring, ERL	1
	J044	03-08		515965 (9005110-5600)	Plug, ERL	1
	J044A	03-08		085043 (9004201-3700)	O-ring, ERL	1
	J045	03-08		515965 (9005110-5600)	Plug, ERL	1
	J045A	03-08		085043 (9004201-3700)	O-ring, ERL	1
	J050	03-08		5000611	Pin	2
	J080	03-08		1700565	Adapter flange	1
	J090	03-08		673533	O-ring	1
	J100	03-08		5000007 (9007314-1207)	Screw	4
	J110	03-08		8801059	Cover plate	1
	J120	03-08		8801061	B pad seal	1
	J130	03-08		647248 (9007200-5021)	Screw	2
	J140	03-08		1700404	Coupling, 13-tooth	1



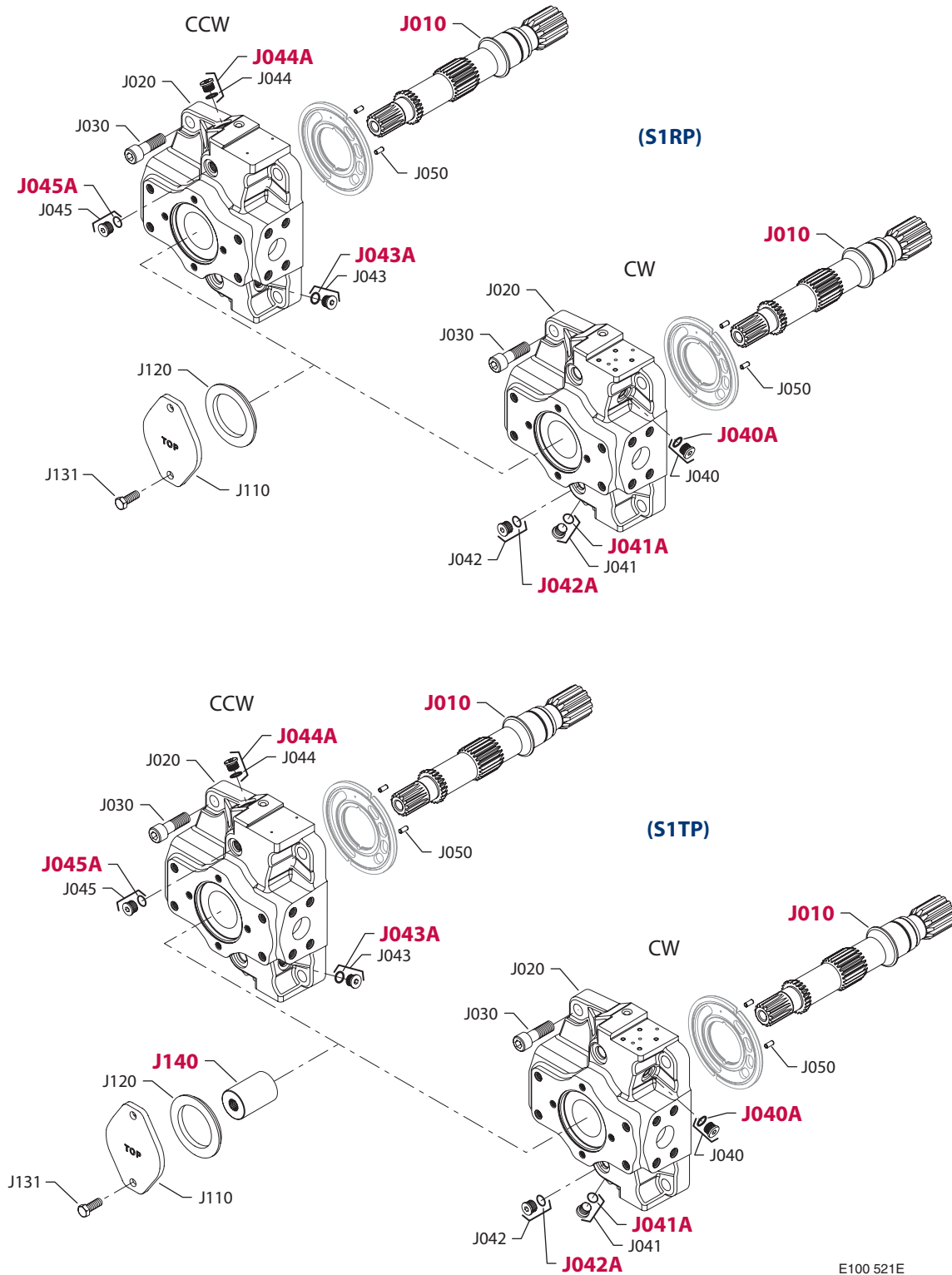
E100 518E

ENLARGED **BOLD** TYPE ITEM
NUMBERS ARE RECOMMENDED
PARTS TO BE STOCKED FOR SERVICING

SHAFT/AUXILIARY FLANGE/END CAP

Order code	Item	Date begin	Date end	Part number	Part name	Qty. per model/kit
S1NL	J010	03-08		1700782	Shaft, 14-tooth spline	1
	J020	03-08		1700325	End cap, cw, axial ports, ERR	1
	"	03-08		1700326	End cap, ccw, axial ports, ERL	1
	J030	03-08		5000633	Screw	4
	J040	03-08		515965 (9005110-5600)	Plug, ERR	1
	J040A	03-08		085043 (9004201-3700)	O-ring, ERR	1
	J041	03-08		515965 (9005110-5600)	Plug, ERR	1
	J041A	03-08		085043 (9004201-3700)	O-ring, ERR	1
	J042	03-08		515965 (9005110-5600)	Plug, ERR	1
	J042A	03-08		085043 (9004201-3700)	O-ring, ERR	1
	J043	03-08		515965 (9005110-5600)	Plug, ERL	1
	J043A	03-08		085043 (9004201-3700)	O-ring, ERL	1
	J044	03-08		515965 (9005110-5600)	Plug, ERL	1
	J044A	03-08		085043 (9004201-3700)	O-ring, ERL	1
	J045	03-08		515965 (9005110-5600)	Plug, ERL	1
	J045A	03-08		085043 (9004201-3700)	O-ring, ERL	1
	J050	03-08		5000611	Pin	2

S1NP	J010	03-08		1700782	Shaft, 14-tooth spline	1
	J020	03-08		1700329	End cap, cw, radial ports, ERR	1
	"	03-08		1700330	End cap, ccw, radial ports, ERL	1
	J030	03-08		5000633	Screw	4
	J040	03-08		515965 (9005110-5600)	Plug, ERR	1
	J040A	03-08		085043 (9004201-3700)	O-ring, ERR	1
	J041	03-08		515965 (9005110-5600)	Plug, ERR	1
	J041A	03-08		085043 (9004201-3700)	O-ring, ERR	1
	J042	03-08		515965 (9005110-5600)	Plug, ERR	1
	J042A	03-08		085043 (9004201-3700)	O-ring, ERR	1
	J043	03-08		515965 (9005110-5600)	Plug, ERL	1
	J043A	03-08		085043 (9004201-3700)	O-ring, ERL	1
	J044	03-08		515965 (9005110-5600)	Plug, ERL	1
	J044A	03-08		085043 (9004201-3700)	O-ring, ERL	1
	J045	03-08		515965 (9005110-5600)	Plug, ERL	1
	J045A	03-08		085043 (9004201-3700)	O-ring, ERL	1
	J050	01-07		5000611	Pin	2



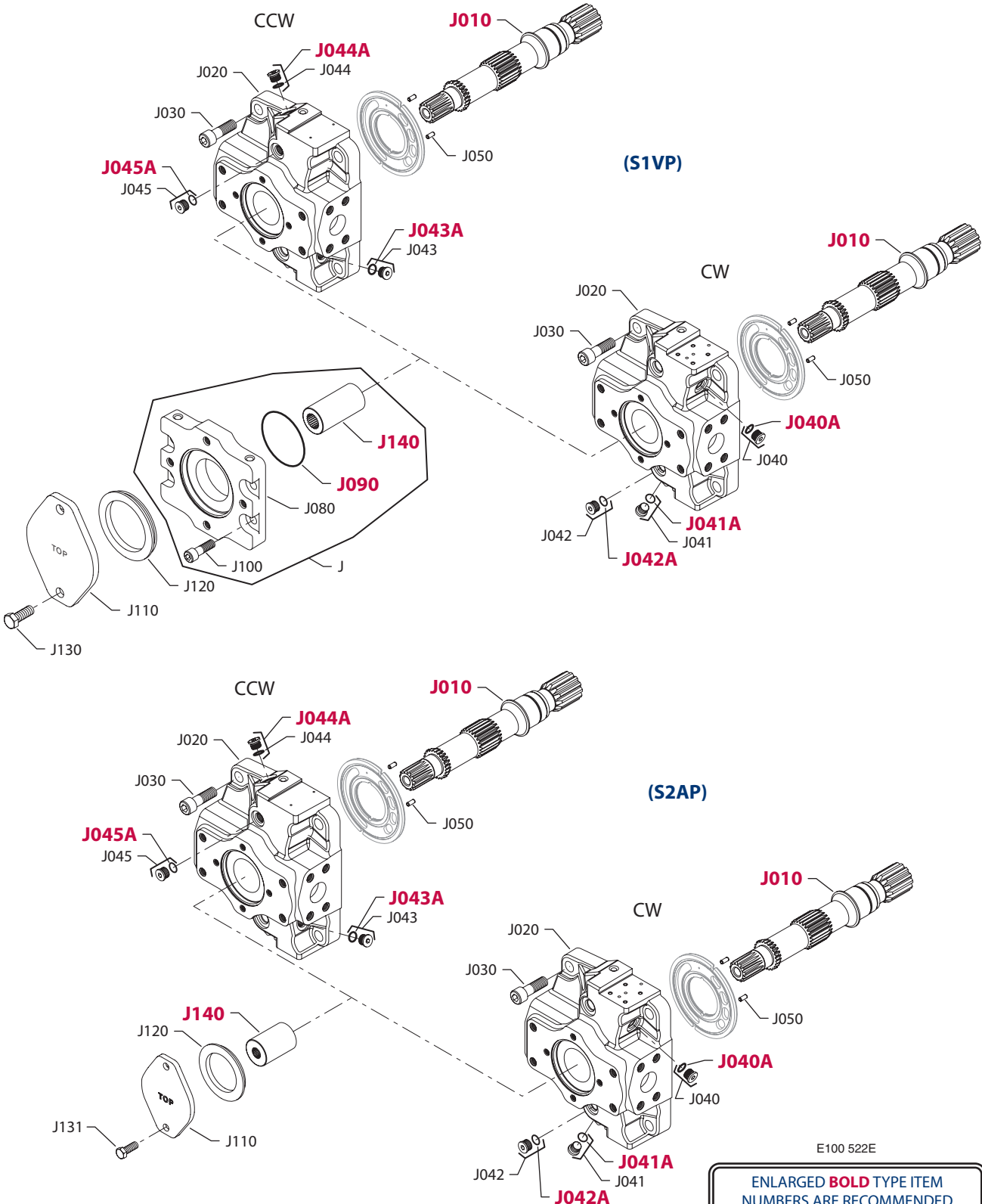
E100 521E

ENLARGED **BOLD** TYPE ITEM
NUMBERS ARE RECOMMENDED
PARTS TO BE STOCKED FOR SERVICING

SHAFT/AUXILIARY FLANGE/END CAP

Order Code	Item	Date Begin	Date End	Part Number	Part Name	Qty. per Model/Kit
S1RP	J010	03-08		1700783	Shaft, 14 tooth spline	1
	J020	03-08		1700407	End cap, cw, radial ports, ERR	1
	"	03-08		1700408	End cap, ccw, radial ports, ERL	1
	J030	03-08		5000633	Screw	4
	J040	03-08		515965 (9005110-5600)	Plug, ERR	1
	J040A	03-08		085043 (9004201-3700)	O-ring, ERR	1
	J041	03-08		515965 (9005110-5600)	Plug, ERR	1
	J041A	03-08		085043 (9004201-3700)	O-ring, ERR	1
	J042	03-08		515965 (9005110-5600)	Plug, ERR	1
	J042A	03-08		085043 (9004201-3700)	O-ring, ERR	1
	J043	03-08		515965 (9005110-5600)	Plug, ERL	1
	J043A	03-08		085043 (9004201-3700)	O-ring, ERL	1
	J044	03-08		515965 (9005110-5600)	Plug, ERL	1
	J044A	03-08		085043 (9004201-3700)	O-ring, ERL	1
	J045	03-08		515965 (9005110-5600)	Plug, ERL	1
	J045A	03-08		085043 (9004201-3700)	O-ring, ERL	1
	J050	03-08		5000611	Pin	2
	J110	03-08		4460586	Cover plate	1
	J120	03-08		4800482	A pad seal	1
	J131	03-08		049874 (9007200-3716)	Screw	2

S1TP	J010	03-08		1700783	Shaft, 14 tooth spline	1
	J020	03-08		1700407	End cap, cw, radial ports, ERR	1
	"	03-08		1700408	End cap, ccw, radial ports, ERL	1
	J030	03-08		5000633	Screw	4
	J040	03-08		515965 (9005110-5600)	Plug, ERR	1
	J040A	03-08		085043 (9004201-3700)	O-ring, ERR	1
	J041	03-08		515965 (9005110-5600)	Plug, ERR	1
	J041A	03-08		085043 (9004201-3700)	O-ring, ERR	1
	J042	03-08		515965 (9005110-5600)	Plug, ERR	1
	J042A	03-08		085043 (9004201-3700)	O-ring, ERR	1
	J043	03-08		515965 (9005110-5600)	Plug, ERL	1
	J043A	03-08		085043 (9004201-3700)	O-ring, ERL	1
	J044	03-08		515965 (9005110-5600)	Plug, ERL	1
	J044A	03-08		085043 (9004201-3700)	O-ring, ERL	1
	J045	03-08		515965 (9005110-5600)	Plug, ERL	1
	J045A	03-08		085043 (9004201-3700)	O-ring, ERL	1
	J050	03-08		5000611	Pin	2
	J110	03-08		4460586	Cover plate	1
	J120	03-08		4800482	A pad seal	1
	J131	03-08		049874 (9007200-3716)	Screw	2
	J140	03-08		1700403	Coupling, 11-tooth	1

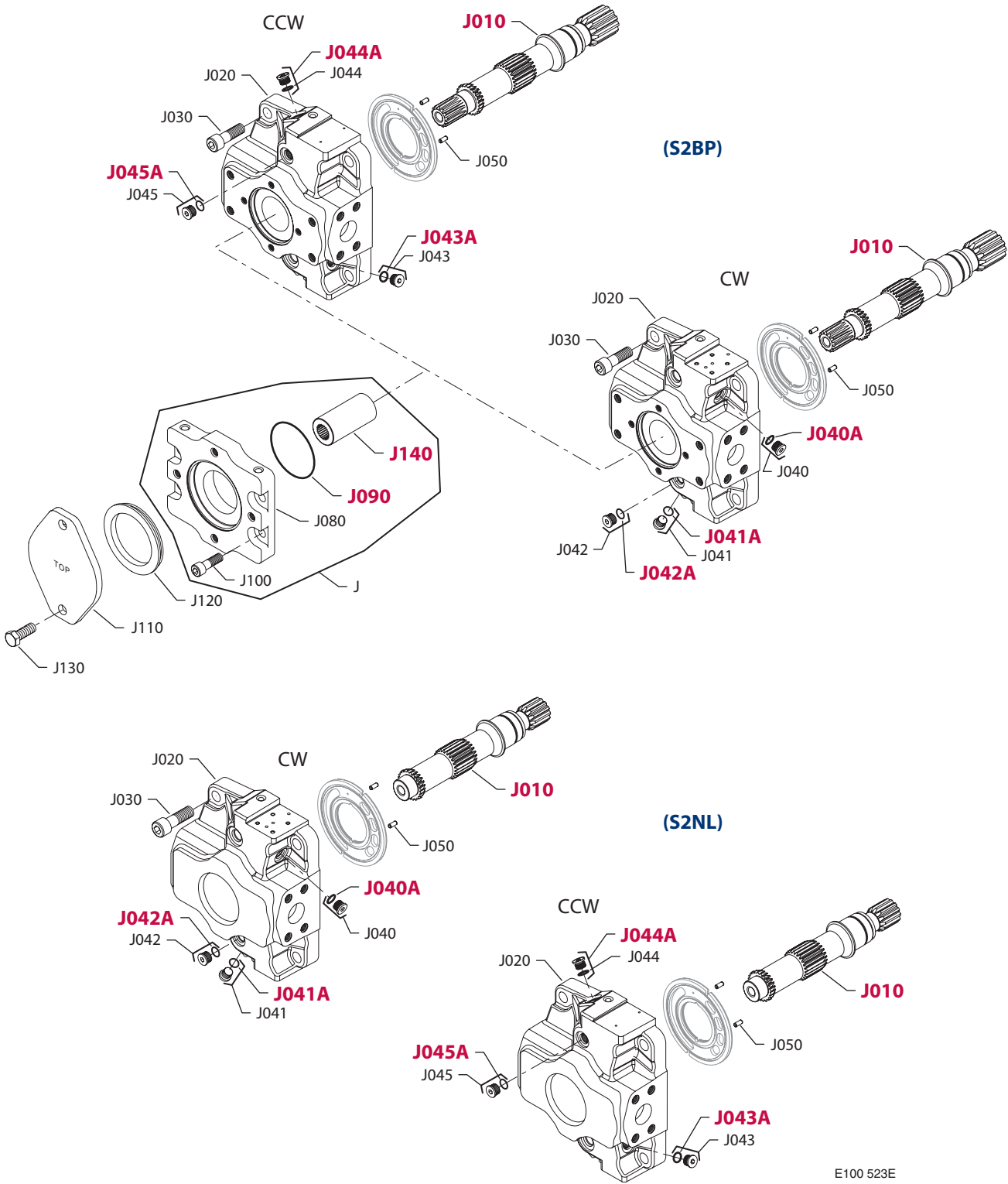


E100 522E

ENLARGED **BOLD** TYPE ITEM
NUMBERS ARE RECOMMENDED
PARTS TO BE STOCKED FOR SERVICING

SHAFT/AUXILIARY FLANGE/END CAP

Order code	Item	Date begin	Date end	Part number	Part name	Qty. per model/kit
S1VP	J	03-08		4510430	Auxiliary pad kit, SAE B-B	1
	J010	03-08		1700783	Shaft, 14-tooth spline	1
	J020	03-08		1700407	End cap, cw, radial ports, ERR	1
	"	03-08		1700408	End cap, ccw, radial ports, ERL	1
	J030	03-08		5000633	Screw	4
	J040	03-08		515965 (9005110-5600)	Plug, ERR	1
	J040A	03-08		085043 (9004201-3700)	O-ring, ERR	1
	J041	03-08		515965 (9005110-5600)	Plug, ERR	1
	J041A	03-08		085043 (9004201-3700)	O-ring, ERR	1
	J042	03-08		515965 (9005110-5600)	Plug, ERR	1
	J042A	03-08		085043 (9004201-3700)	O-ring, ERR	1
	J043	03-08		515965 (9005110-5600)	Plug, ERL	1
	J043A	03-08		085043 (9004201-3700)	O-ring, ERL	1
	J044	03-08		515965 (9005110-5600)	Plug, ERL	1
	J044A	03-08		085043 (9004201-3700)	O-ring, ERL	1
	J045	03-08		515965 (9005110-5600)	Plug, ERL	1
	J045A	03-08		085043 (9004201-3700)	O-ring, ERL	1
	J050	03-08		5000611	Pin	2
	J080	03-08		1700565	Adapter flange	1
	J090	03-08		673533	O-ring	1
	J100	03-08		5000007 (9007314-1207)	Screw	4
	J110	03-08		8801059	Cover plate	1
	J120	03-08		8801061	B pad seal	1
	J130	03-08		647248 (9007200-5021)	Screw	2
	J140	03-08		1700406	Coupling, 15-tooth	1
S2AP	J010	03-08		1700400	Shaft, 17-tooth spline	1
	J020	03-08		1700407	End cap, cw, radial ports, ERR	1
	"	03-08		1700408	End cap, ccw, radial ports, ERL	1
	J030	03-08		5000633	Screw	4
	J040	03-08		515965 (9005110-5600)	Plug, ERR	1
	J040A	03-08		085043 (9004201-3700)	O-ring, ERR	1
	J041	03-08		515965 (9005110-5600)	Plug, ERR	1
	J041A	03-08		085043 (9004201-3700)	O-ring, ERR	1
	J042	03-08		515965 (9005110-5600)	Plug, ERR	1
	J042A	03-08		085043 (9004201-3700)	O-ring, ERR	1
	J043	03-08		515965 (9005110-5600)	Plug, ERL	1
	J043A	03-08		085043 (9004201-3700)	O-ring, ERL	1
	J044	03-08		515965 (9005110-5600)	Plug, ERL	1
	J044A	03-08		085043 (9004201-3700)	O-ring, ERL	1
	J045	03-08		515965 (9005110-5600)	Plug, ERL	1
	J045A	03-08		085043 (9004201-3700)	O-ring, ERL	1
	J050	03-08		5000611	Pin	2
	J110	03-08		4460586	Cover plate	1
	J120	03-08		4800482	A pad seal	1
	J131	03-08		049874 (9007200-3716)	Screw	2
	J140	03-08		1700402	Coupling, 9-tooth	1

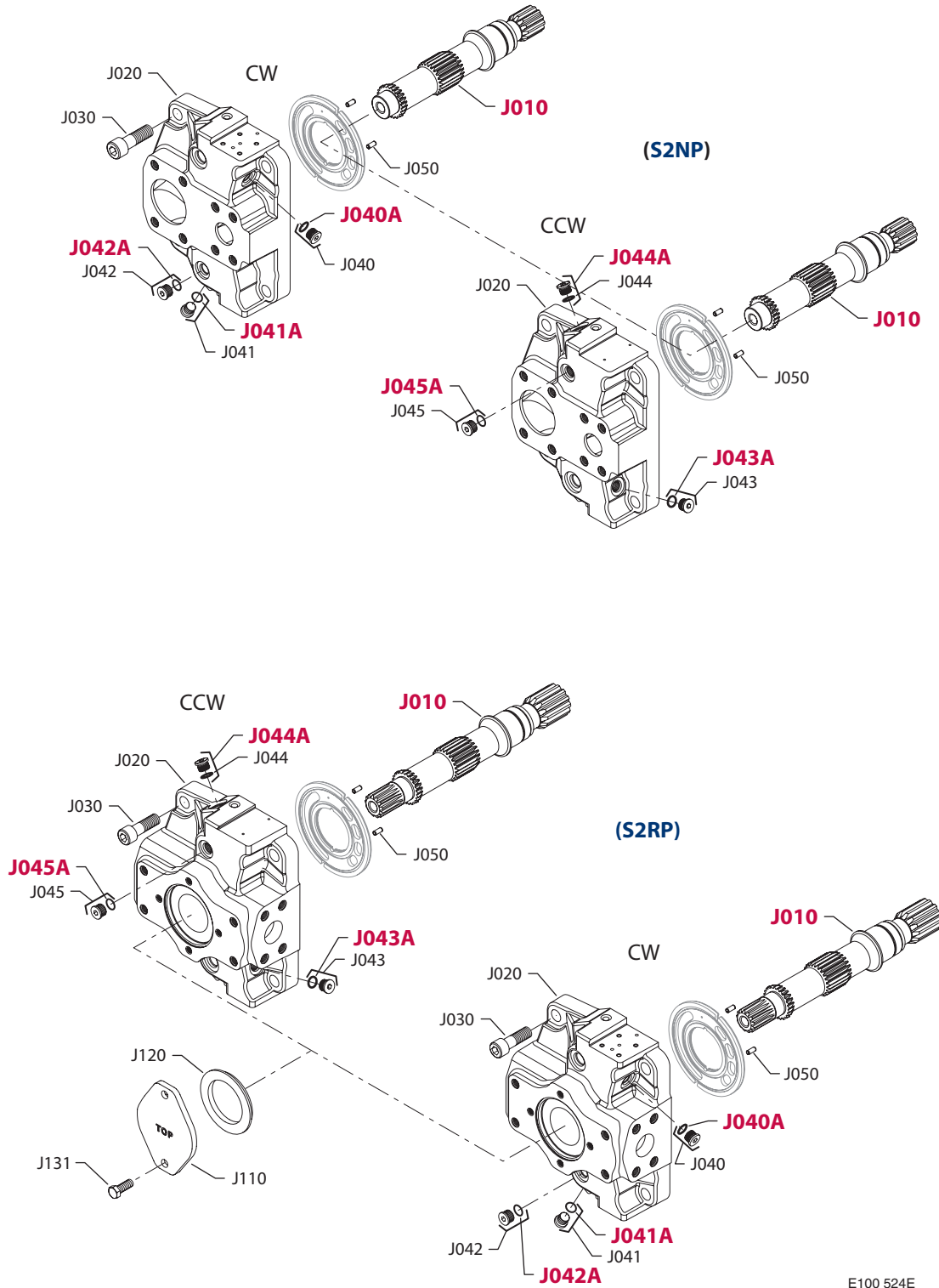


E100 523E

ENLARGED **BOLD** TYPE ITEM
NUMBERS ARE RECOMMENDED
PARTS TO BE STOCKED FOR SERVICING

SHAFT/AUXILIARY FLANGE/END CAP

Order code	Item	Date begin	Date end	Part number	Part name	Qty. per model/kit
S2BP	J	03-08		4510429	Auxiliary pad kit, SAE B	1
	J010	03-08		1700400	Shaft, 17-tooth spline	1
	J020	03-08		1700407	End cap, cw, radial ports, ERR	1
	"	03-08		1700408	End cap, ccw, radial ports, ERL	1
	J030	03-08		5000633	Screw	4
	J040	03-08		515965 (9005110-5600)	Plug, ERR	1
	J040A	03-08		085043 (9004201-3700)	O-ring, ERR	1
	J041	03-08		515965 (9005110-5600)	Plug, ERR	1
	J041A	03-08		085043 (9004201-3700)	O-ring, ERR	1
	J042	03-08		515965 (9005110-5600)	Plug, ERR	1
	J042A	03-08		085043 (9004201-3700)	O-ring, ERR	1
	J043	03-08		515965 (9005110-5600)	Plug, ERL	1
	J043A	03-08		085043 (9004201-3700)	O-ring, ERL	1
	J044	03-08		515965 (9005110-5600)	Plug, ERL	1
	J044A	03-08		085043 (9004201-3700)	O-ring, ERL	1
	J045	03-08		515965 (9005110-5600)	Plug, ERL	1
	J045A	03-08		085043 (9004201-3700)	O-ring, ERL	1
	J050	03-08		5000611	Pin	2
	J080	03-08		1700565	Adapter flange	1
	J090	03-08		673533	O-ring	1
	J100	03-08		5000007 (9007314-1207)	Screw	4
	J110	03-08		8801059	Cover plate	1
	J120	03-08		8801061	B pad seal	1
	J130	03-08		647248 (9007200-5021)	Screw	2
	J140	03-08		1700404	Coupling, 13-tooth	1
S2NL	J010	03-08		1700455	Shaft, 17-tooth spline	1
	J020	03-08		1700325	End cap, cw, axial ports, ERR	1
	"	03-08		1700326	End cap, ccw, axial ports, ERL	1
	J030	03-08		5000633	Screw	4
	J040	03-08		515965 (9005110-5600)	Plug, ERR	1
	J040A	03-08		085043 (9004201-3700)	O-ring, ERR	1
	J041	03-08		515965 (9005110-5600)	Plug, ERR	1
	J041A	03-08		085043 (9004201-3700)	O-ring, ERR	1
	J042	03-08		515965 (9005110-5600)	Plug, ERR	1
	J042A	03-08		085043 (9004201-3700)	O-ring, ERR	1
	J043	03-08		515965 (9005110-5600)	Plug, ERL	1
	J043A	03-08		085043 (9004201-3700)	O-ring, ERL	1
	J044	03-08		515965 (9005110-5600)	Plug, ERL	1
	J044A	03-08		085043 (9004201-3700)	O-ring, ERL	1
	J045	03-08		515965 (9005110-5600)	Plug, ERL	1
	J045A	03-08		085043 (9004201-3700)	O-ring, ERL	1
	J050	03-08		5000611	Pin	2

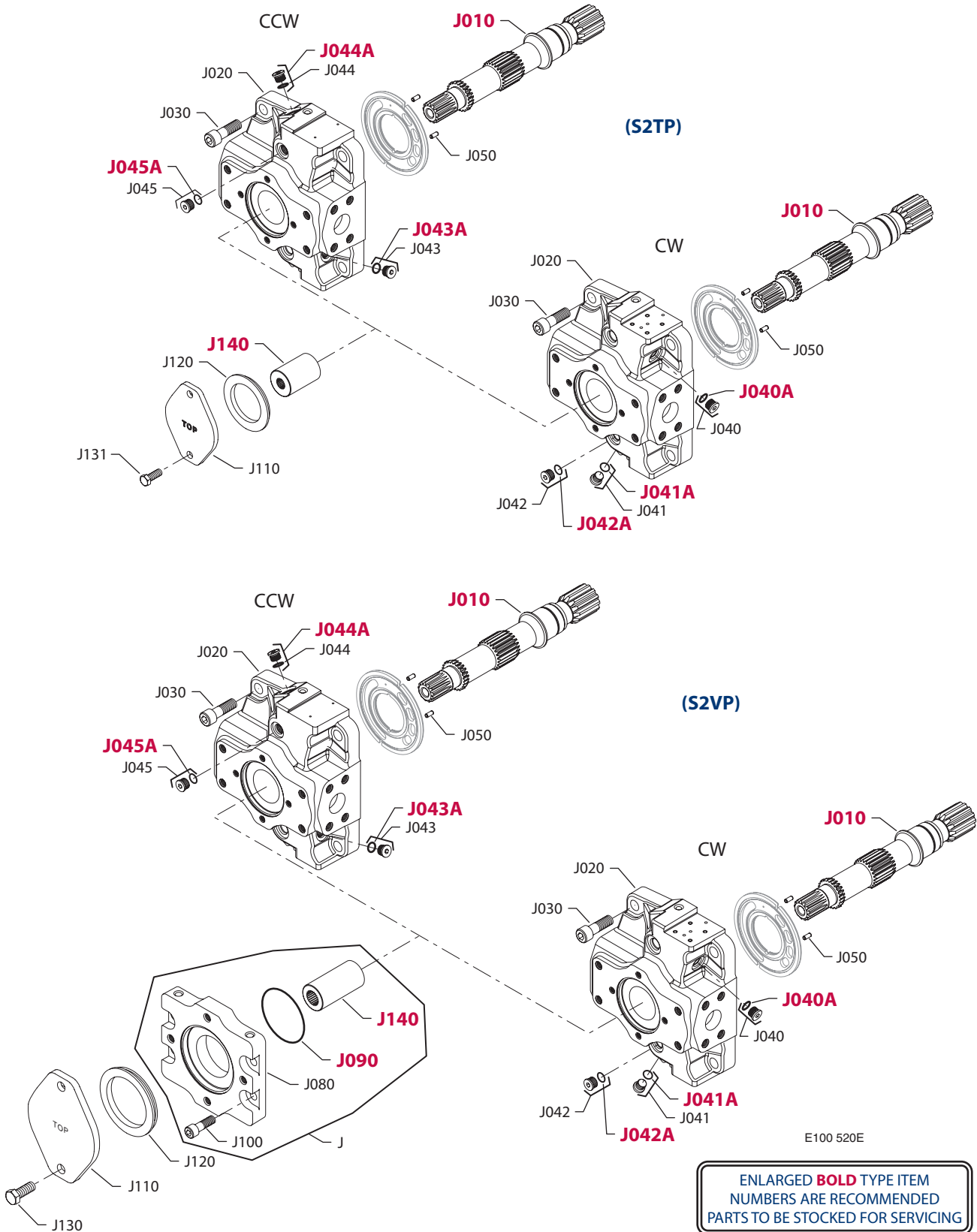


E100 524E

ENLARGED **BOLD** TYPE ITEM
NUMBERS ARE RECOMMENDED
PARTS TO BE STOCKED FOR SERVICING

SHAFT/AUXILIARY FLANGE/END CAP

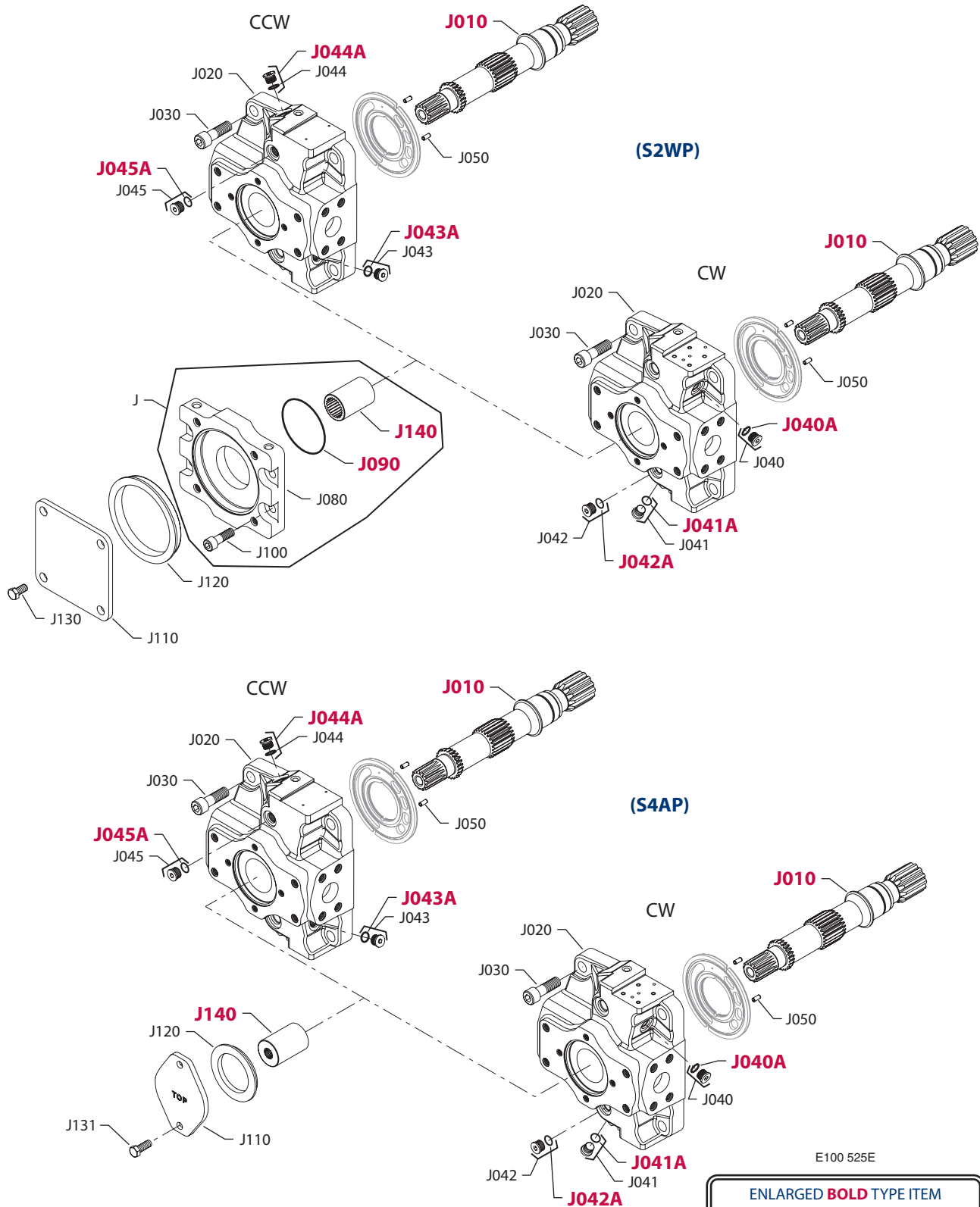
Order code	Item	Date begin	Date end	Part number	Part name	Qty. per model/kit
S2NP	J010	03-08		1700455	Shaft, 17-tooth spline	1
	J020	03-08		1700329	End cap, cw, radial ports, ERR	1
	"	03-08		1700330	End cap, ccw, radial ports, ERL	1
	J030	03-08		5000633	Screw	4
	J040	03-08		515965 (9005110-5600)	Plug, ERR	1
	J040A	03-08		085043 (9004201-3700)	O-ring, ERR	1
	J041	03-08		515965 (9005110-5600)	Plug, ERR	1
	J041A	03-08		085043 (9004201-3700)	O-ring, ERR	1
	J042	03-08		515965 (9005110-5600)	Plug, ERR	1
	J042A	03-08		085043 (9004201-3700)	O-ring, ERR	1
	J043	03-08		515965 (9005110-5600)	Plug, ERL	1
	J043A	03-08		085043 (9004201-3700)	O-ring, ERL	1
	J044	03-08		515965 (9005110-5600)	Plug, ERL	1
	J044A	03-08		085043 (9004201-3700)	O-ring, ERL	1
	J045	03-08		515965 (9005110-5600)	Plug, ERL	1
	J045A	03-08		085043 (9004201-3700)	O-ring, ERL	1
	J050	01-07		5000611	Pin	2
S2RP	J010	03-08		1700400	Shaft, 17-tooth spline	1
	J020	03-08		1700407	End cap, cw, radial ports, ERR	1
	"	03-08		1700408	End cap, ccw, radial ports, ERL	1
	J030	03-08		5000633	Screw	4
	J040	03-08		515965 (9005110-5600)	Plug, ERR	1
	J040A	03-08		085043 (9004201-3700)	O-ring, ERR	1
	J041	03-08		515965 (9005110-5600)	Plug, ERR	1
	J041A	03-08		085043 (9004201-3700)	O-ring, ERR	1
	J042	03-08		515965 (9005110-5600)	Plug, ERR	1
	J042A	03-08		085043 (9004201-3700)	O-ring, ERR	1
	J043	03-08		515965 (9005110-5600)	Plug, ERL	1
	J043A	03-08		085043 (9004201-3700)	O-ring, ERL	1
	J044	03-08		515965 (9005110-5600)	Plug, ERL	1
	J044A	03-08		085043 (9004201-3700)	O-ring, ERL	1
	J045	03-08		515965 (9005110-5600)	Plug, ERL	1
	J045A	03-08		085043 (9004201-3700)	O-ring, ERL	1
	J050	03-08		5000611	Pin	2
	J110	03-08		4460586	Cover plate	1
	J120	03-08		4800482	A pad seal	1
	J131	03-08		049874 (9007200-3716)	Screw	2



ENLARGED **BOLD** TYPE ITEM
NUMBERS ARE RECOMMENDED
PARTS TO BE STOCKED FOR SERVICING

SHAFT/AUXILIARY FLANGE/END CAP

Order code	Item	Date begin	Date end	Part number	Part name	Qty. per model/kit
S2TP	J010	03-08		1700400	Shaft, 17 tooth spline	1
	J020	03-08		1700407	End cap, cw, radial ports, ERR	1
	"	03-08		1700408	End cap, ccw, radial ports, ERL	1
	J030	03-08		5000633	Screw	4
	J040	03-08		515965 (9005110-5600)	Plug, ERR	1
	J040A	03-08		085043 (9004201-3700)	O-ring, ERR	1
	J041	03-08		515965 (9005110-5600)	Plug, ERR	1
	J041A	03-08		085043 (9004201-3700)	O-ring, ERR	1
	J042	03-08		515965 (9005110-5600)	Plug, ERR	1
	J042A	03-08		085043 (9004201-3700)	O-ring, ERR	1
	J043	03-08		515965 (9005110-5600)	Plug, ERL	1
	J043A	03-08		085043 (9004201-3700)	O-ring, ERL	1
	J044	03-08		515965 (9005110-5600)	Plug, ERL	1
	J044A	03-08		085043 (9004201-3700)	O-ring, ERL	1
	J045	03-08		515965 (9005110-5600)	Plug, ERL	1
	J045A	03-08		085043 (9004201-3700)	O-ring, ERL	1
	J050	03-08		5000611	Pin	2
	J110	03-08		4460586	Cover plate	1
	J120	03-08		4800482	A pad seal	1
	J131	03-08		049874 (9007200-3716)	Screw	2
	J140	03-08		1700403	Coupling, 11-tooth	1
S2VP	J	03-08		4510430	Auxiliary pad kit, SAE B-B	1
	J010	03-08		1700400	Shaft, 17-tooth spline	1
	J020	03-08		1700407	End cap, cw, radial ports, ERR	1
	"	03-08		1700408	End cap, ccw, radial ports, ERL	1
	J030	03-08		5000633	Screw	4
	J040	03-08		515965 (9005110-5600)	Plug, ERR	1
	J040A	03-08		085043 (9004201-3700)	O-ring, ERR	1
	J041	03-08		515965 (9005110-5600)	Plug, ERR	1
	J041A	03-08		085043 (9004201-3700)	O-ring, ERR	1
	J042	03-08		515965 (9005110-5600)	Plug, ERR	1
	J042A	03-08		085043 (9004201-3700)	O-ring, ERR	1
	J043	03-08		515965 (9005110-5600)	Plug, ERL	1
	J043A	03-08		085043 (9004201-3700)	O-ring, ERL	1
	J044	03-08		515965 (9005110-5600)	Plug, ERL	1
	J044A	03-08		085043 (9004201-3700)	O-ring, ERL	1
	J045	03-08		515965 (9005110-5600)	Plug, ERL	1
	J045A	03-08		085043 (9004201-3700)	O-ring, ERL	1
	J050	03-08		5000611	Pin	2
	J080	03-08		1700565	Adapter flange	1
	J090	03-08		673533	O-ring	1
	J100	03-08		5000007 (9007314-1207)	Screw	4
	J110	03-08		8801059	Cover plate	1
	J120	03-08		8801061	B pad seal	1
	J130	03-08		647248 (9007200-5021)	Screw	2
	J140	03-08		1700406	Coupling, 15-tooth	1

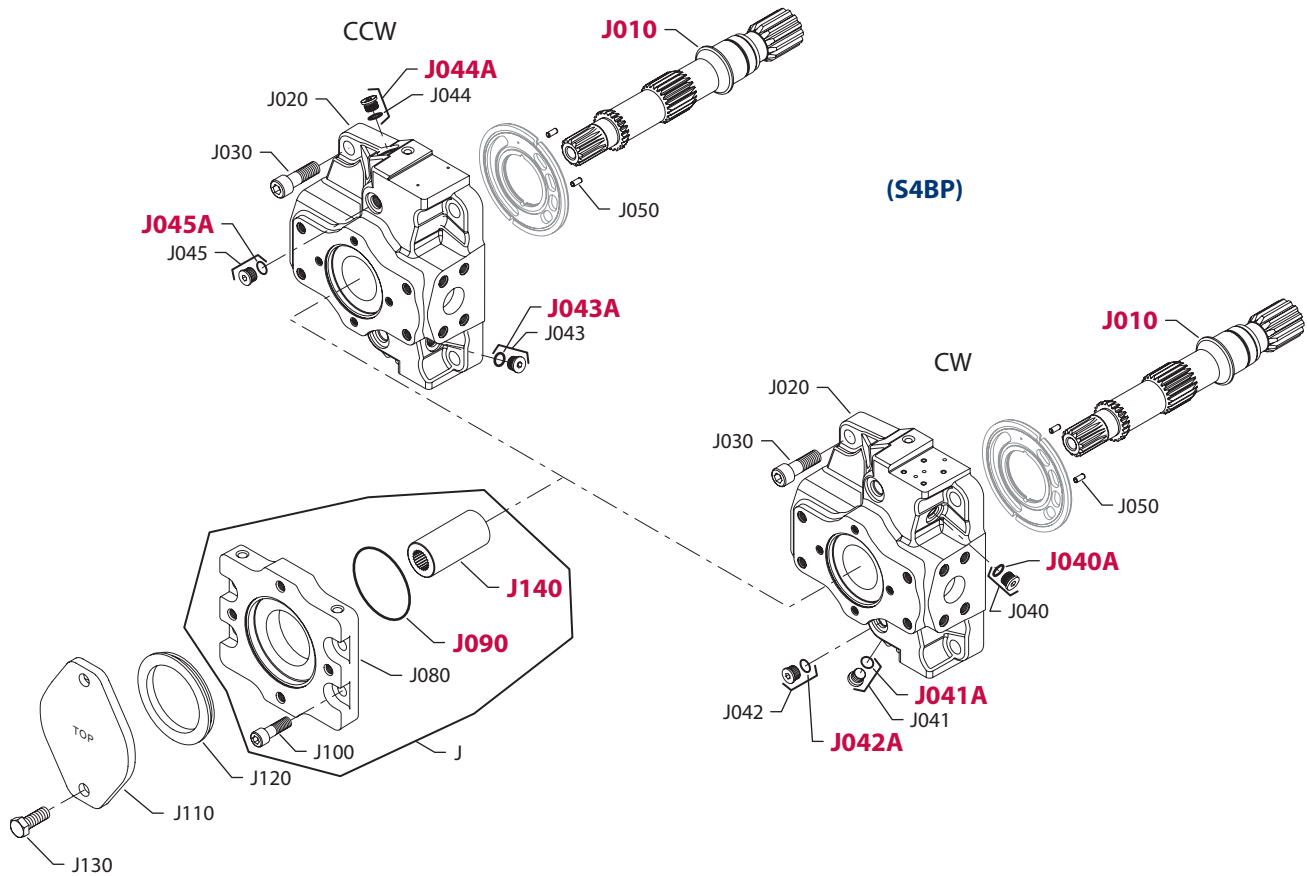


E100 525E

ENLARGED **BOLD** TYPE ITEM
NUMBERS ARE RECOMMENDED
PARTS TO BE STOCKED FOR SERVICING

SHAFT/AUXILIARY FLANGE/END CAP

Order code	Item	Date begin	Date end	Part number	Part name	Qty. per model/kit
S2WP	J	03-08		4510431	Auxiliary pad kit, SAE C	1
	J010	03-08		1700400	Shaft, 17-tooth spline	1
	J020	03-08		1700407	End cap, cw, radial ports, ERR	1
	"	03-08		1700408	End cap, ccw, radial ports, ERL	1
	J030	03-08		5000633	Screw	4
	J040	03-08		515965 (9005110-5600)	Plug, ERR	1
	J040A	03-08		085043 (9004201-3700)	O-ring, ERR	1
	J041	03-08		515965 (9005110-5600)	Plug, ERR	1
	J041A	03-08		085043 (9004201-3700)	O-ring, ERR	1
	J042	03-08		515965 (9005110-5600)	Plug, ERR	1
	J042A	03-08		085043 (9004201-3700)	O-ring, ERR	1
	J043	03-08		515965 (9005110-5600)	Plug, ERL	1
	J043A	03-08		085043 (9004201-3700)	O-ring, ERL	1
	J044	03-08		515965 (9005110-5600)	Plug, ERL	1
	J044A	03-08		085043 (9004201-3700)	O-ring, ERL	1
	J045	03-08		515965 (9005110-5600)	Plug, ERL	1
	J045A	03-08		085043 (9004201-3700)	O-ring, ERL	1
	J050	03-08		5000611	Pin	2
	J080	03-08		1700566	Adapter flange	1
	J090	03-08		673533	O-ring	1
	J100	03-08		5000007 (9007314-1207)	Screw	4
	J110	03-08		8801060	Cover plate	1
	J120	03-08		8801062	C pad seal	1
	J130	03-08		647248 (9007200-5021)	Screw	4
	J140	03-08		1700497	Coupling, 17-tooth	1
S4AP	J010	03-08		1700401	Shaft, 13-tooth spline	1
	J020	03-08		1700407	End cap, cw, radial ports, ERR	1
	"	03-08		1700408	End cap, ccw, radial ports, ERL	1
	J030	03-08		5000633	Screw	4
	J040	03-08		515965 (9005110-5600)	Plug, ERR	1
	J040A	03-08		085043 (9004201-3700)	O-ring, ERR	1
	J041	03-08		515965 (9005110-5600)	Plug, ERR	1
	J041A	03-08		085043 (9004201-3700)	O-ring, ERR	1
	J042	03-08		515965 (9005110-5600)	Plug, ERR	1
	J042A	03-08		085043 (9004201-3700)	O-ring, ERR	1
	J043	03-08		515965 (9005110-5600)	Plug, ERL	1
	J043A	03-08		085043 (9004201-3700)	O-ring, ERL	1
	J044	03-08		515965 (9005110-5600)	Plug, ERL	1
	J044A	03-08		085043 (9004201-3700)	O-ring, ERL	1
	J045	03-08		515965 (9005110-5600)	Plug, ERL	1
	J045A	03-08		085043 (9004201-3700)	O-ring, ERL	1
	J050	03-08		5000611	Pin	2
	J110	03-08		4460586	Cover plate	1
	J120	03-08		4800482	A pad seal	1
	J131	03-08		049874 (9007200-3716)	Screw	2
	J140	03-08		1700402	Coupling, 9-tooth	1

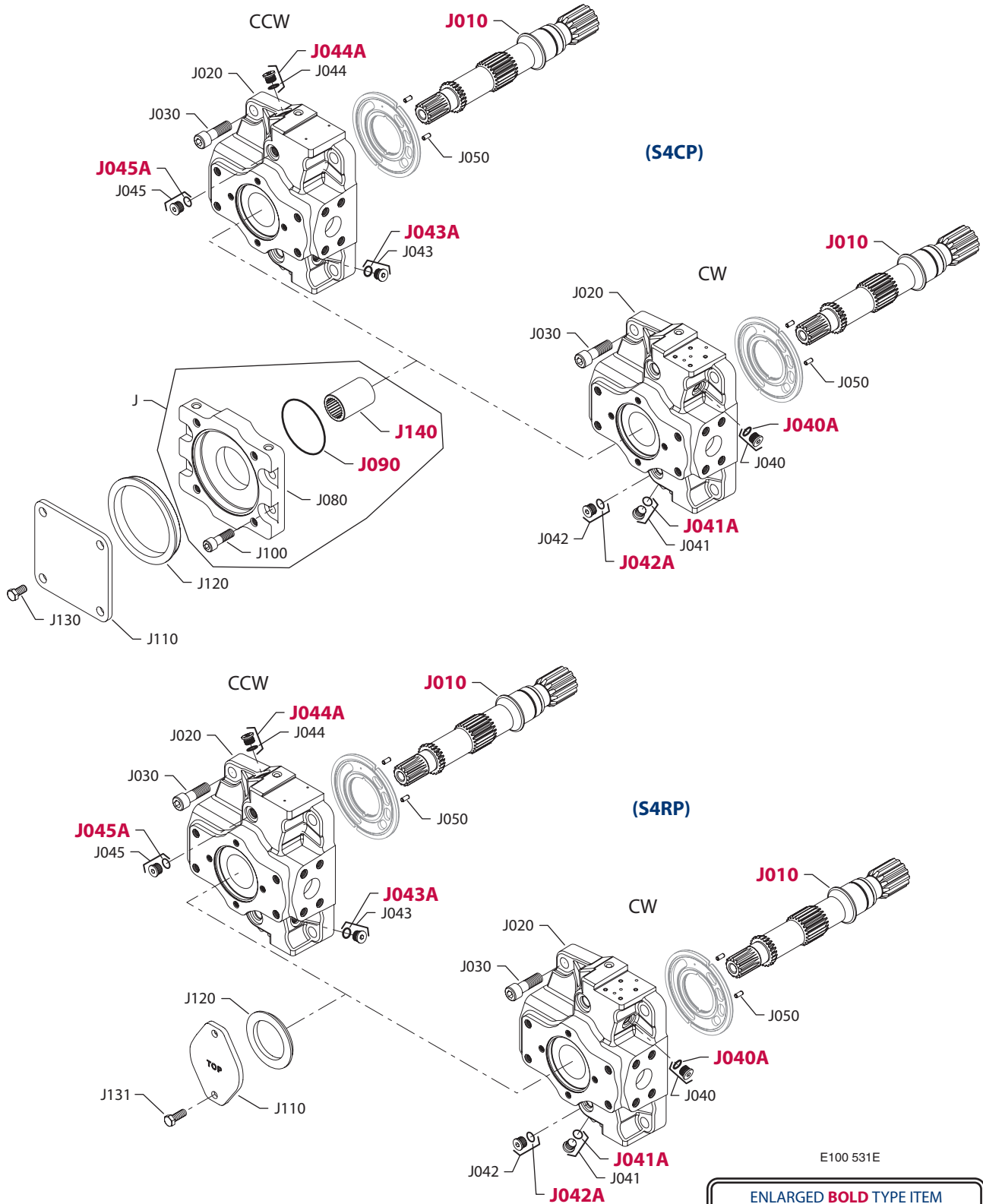


E100 530E

ENLARGED **BOLD** TYPE ITEM
NUMBERS ARE RECOMMENDED
PARTS TO BE STOCKED FOR SERVICING

SHAFT/AUXILIARY FLANGE/END CAP

Order code	Item	Date begin	Date end	Part number	Part name	Qty. per model/kit
S4BP	J	03-08		4510429	Auxiliary pad kit, SAE B	1
	J010	03-08		1700401	Shaft, 13-tooth spline	1
	J020	03-08		1700407	End cap, cw, radial ports, ERR	1
	"	03-08		1700408	End cap, ccw, radial ports, ERL	1
	J030	03-08		5000633	Screw	4
	J040	03-08		515965 (9005110-5600)	Plug, ERR	1
	J040A	03-08		085043 (9004201-3700)	O-ring, ERR	1
	J041	03-08		515965 (9005110-5600)	Plug, ERR	1
	J041A	03-08		085043 (9004201-3700)	O-ring, ERR	1
	J042	03-08		515965 (9005110-5600)	Plug, ERR	1
	J042A	03-08		085043 (9004201-3700)	O-ring, ERR	1
	J043	03-08		515965 (9005110-5600)	Plug, ERL	1
	J043A	03-08		085043 (9004201-3700)	O-ring, ERL	1
	J044	03-08		515965 (9005110-5600)	Plug, ERL	1
	J044A	03-08		085043 (9004201-3700)	O-ring, ERL	1
	J045	03-08		515965 (9005110-5600)	Plug, ERL	1
	J045A	03-08		085043 (9004201-3700)	O-ring, ERL	1
	J050	03-08		5000611	Pin	2
	J080	03-08		1700565	Adapter flange	1
	J090	03-08		673533	O-ring	1
	J100	03-08		5000007 (9007314-1207)	Screw	4
	J110	03-08		8801059	Cover plate	1
	J120	03-08		8801061	B pad seal	1
	J130	03-08		647248 (9007200-5021)	Screw	2
	J140	03-08		1700404	Coupling, 13-tooth	1

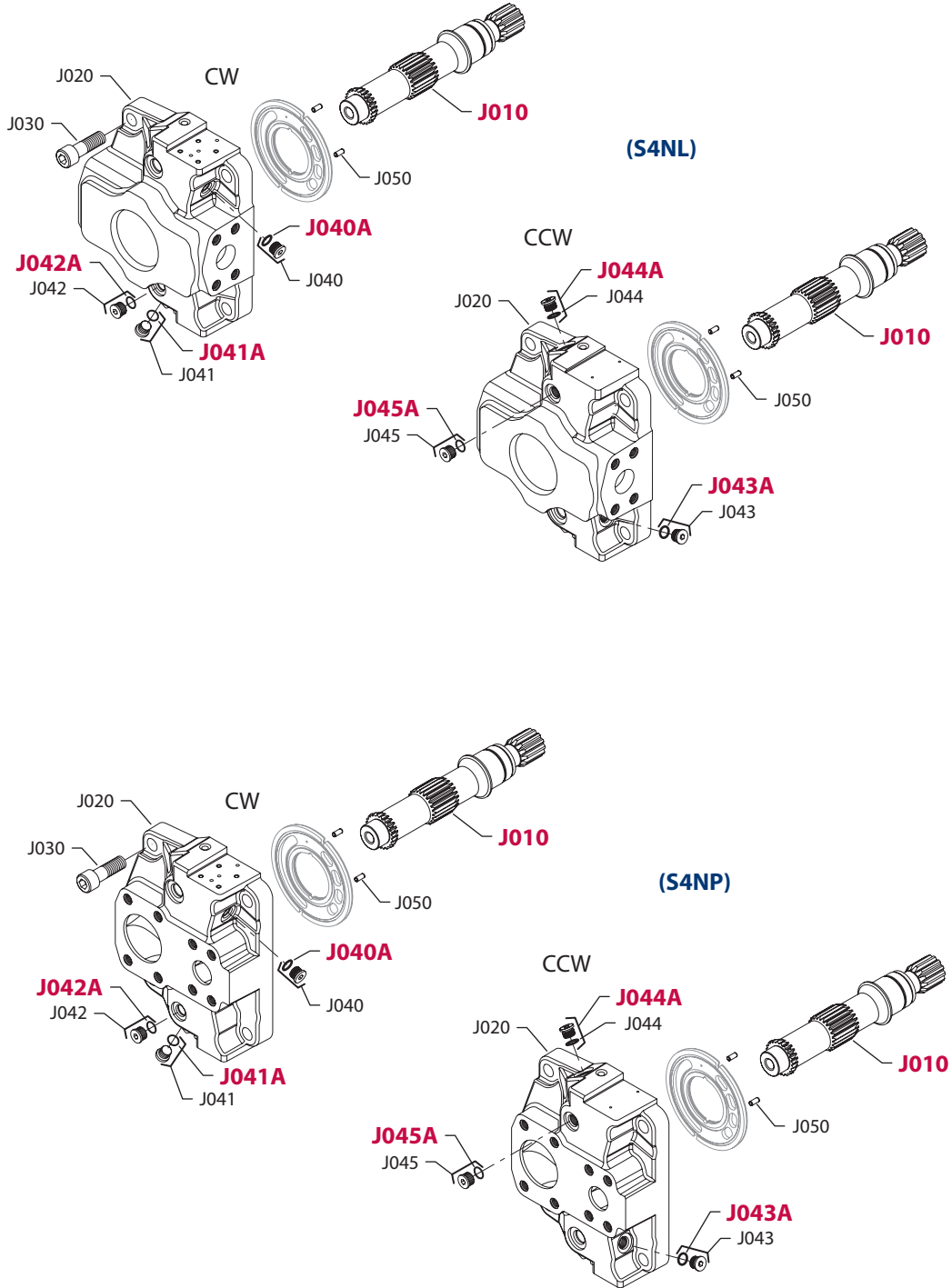


E100 531E

ENLARGED **BOLD** TYPE ITEM
NUMBERS ARE RECOMMENDED
PARTS TO BE STOCKED FOR SERVICING

SHAFT/AUXILIARY FLANGE/END CAP

Order code	Item	Date begin	Date end	Part number	Part name	Qty. per model/kit
S4CP	J	03-08		4510432	Auxiliary pad kit, SAE C	1
	J010	03-08		1700401	Shaft, 13-tooth spline	1
	J020	03-08		1700407	End cap, cw, radial ports, ERR	1
	"	03-08		1700408	End cap, ccw, radial ports, ERL	1
	J030	03-08		5000633	Screw	4
	J040	03-08		515965 (9005110-5600)	Plug, ERR	1
	J040A	03-08		085043 (9004201-3700)	O-ring, ERR	1
	J041	03-08		515965 (9005110-5600)	Plug, ERR	1
	J041A	03-08		085043 (9004201-3700)	O-ring, ERR	1
	J042	03-08		515965 (9005110-5600)	Plug, ERR	1
	J042A	03-08		085043 (9004201-3700)	O-ring, ERR	1
	J043	03-08		515965 (9005110-5600)	Plug, ERL	1
	J043A	03-08		085043 (9004201-3700)	O-ring, ERL	1
	J044	03-08		515965 (9005110-5600)	Plug, ERL	1
	J044A	03-08		085043 (9004201-3700)	O-ring, ERL	1
	J045	03-08		515965 (9005110-5600)	Plug, ERL	1
	J045A	03-08		085043 (9004201-3700)	O-ring, ERL	1
	J050	03-08		5000611	Pin	2
	J080	03-08		1700566	Adapter flange	1
	J090	03-08		673533	O-ring	1
	J100	03-08		5000007 (9007314-1207)	Screw	4
	J110	03-08		8801060	Cover plate	1
	J120	03-08		8801062	C pad seal	1
	J130	03-08		647248 (9007200-5021)	Screw	4
	J140	03-08		1700405	Coupling, 14-tooth	1
S4RP	J010	03-08		1700401	Shaft, 13-tooth spline	1
	J020	03-08		1700407	End cap, cw, radial ports, ERR	1
	"	03-08		1700408	End cap, ccw, radial ports, ERL	1
	J030	03-08		5000633	Screw	4
	J040	03-08		515965 (9005110-5600)	Plug, ERR	1
	J040A	03-08		085043 (9004201-3700)	O-ring, ERR	1
	J041	03-08		515965 (9005110-5600)	Plug, ERR	1
	J041A	03-08		085043 (9004201-3700)	O-ring, ERR	1
	J042	03-08		515965 (9005110-5600)	Plug, ERR	1
	J042A	03-08		085043 (9004201-3700)	O-ring, ERR	1
	J043	03-08		515965 (9005110-5600)	Plug, ERL	1
	J043A	03-08		085043 (9004201-3700)	O-ring, ERL	1
	J044	03-08		515965 (9005110-5600)	Plug, ERL	1
	J044A	03-08		085043 (9004201-3700)	O-ring, ERL	1
	J045	03-08		515965 (9005110-5600)	Plug, ERL	1
	J045A	03-08		085043 (9004201-3700)	O-ring, ERL	1
	J050	03-08		5000611	Pin	2
	J110	03-08		4460586	Cover plate	1
	J120	03-08		4800482	A pad seal	1
	J131	03-08		049874 (9007200-3716)	Screw	2



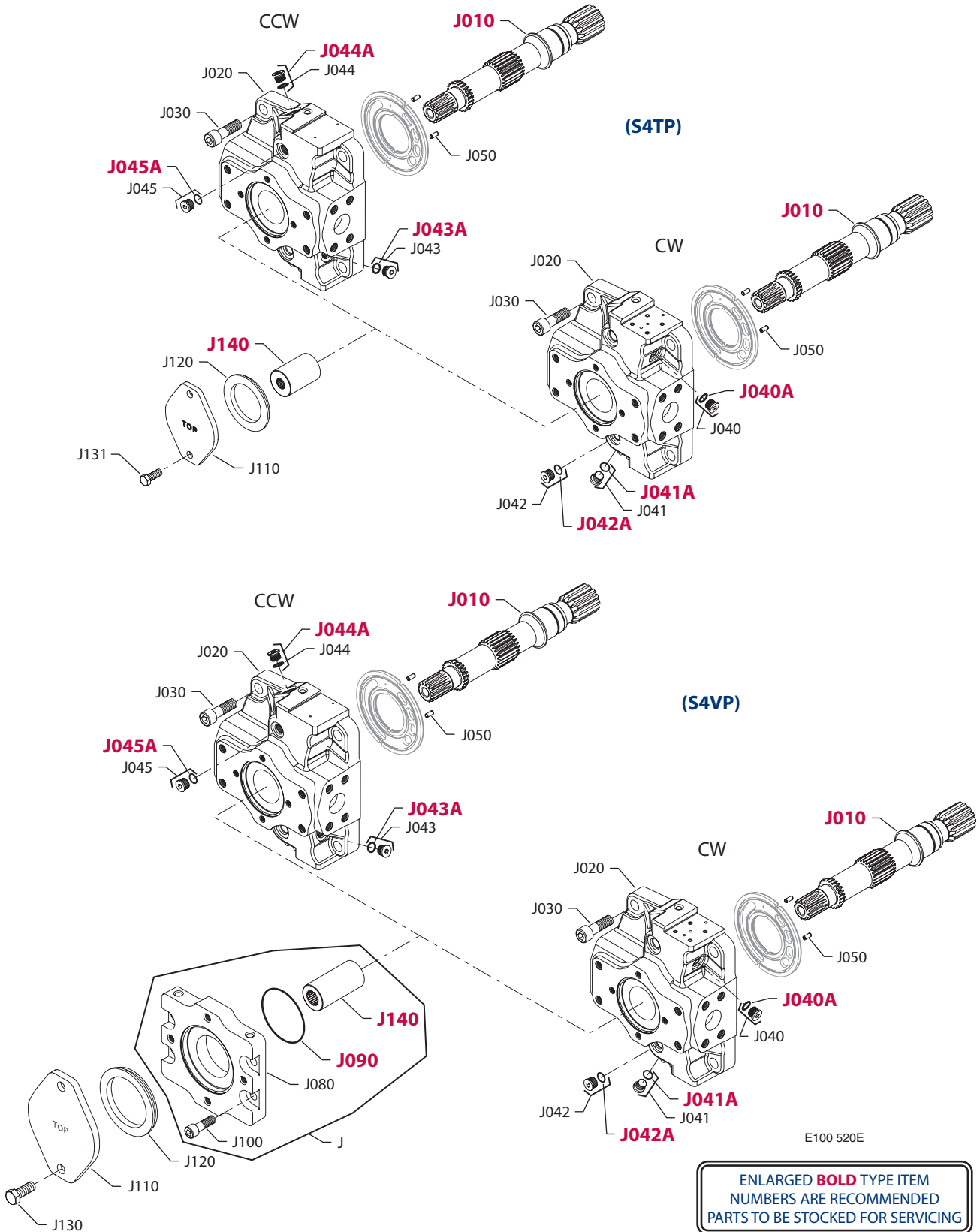
E100 518E

ENLARGED **BOLD** TYPE ITEM
NUMBERS ARE RECOMMENDED
PARTS TO BE STOCKED FOR SERVICING

SHAFT/AUXILIARY FLANGE/END CAP

Order code	Item	Date begin	Date end	Part number	Part name	Qty. per model/kit
S4NL	J010	03-08		1700794	Shaft, 13-tooth spline	1
	J020	03-08		1700325	End cap, cw, axial ports, ERR	1
	"	03-08		1700326	End cap, ccw, axial ports, ERL	1
	J030	03-08		5000633	Screw	4
	J040	03-08		515965 (9005110-5600)	Plug, ERR	1
	J040A	03-08		085043 (9004201-3700)	O-ring, ERR	1
	J041	03-08		515965 (9005110-5600)	Plug, ERR	1
	J041A	03-08		085043 (9004201-3700)	O-ring, ERR	1
	J042	03-08		515965 (9005110-5600)	Plug, ERR	1
	J042A	03-08		085043 (9004201-3700)	O-ring, ERR	1
	J043	03-08		515965 (9005110-5600)	Plug, ERL	1
	J043A	03-08		085043 (9004201-3700)	O-ring, ERL	1
	J044	03-08		515965 (9005110-5600)	Plug, ERL	1
	J044A	03-08		085043 (9004201-3700)	O-ring, ERL	1
	J045	03-08		515965 (9005110-5600)	Plug, ERL	1
	J045A	03-08		085043 (9004201-3700)	O-ring, ERL	1
	J050	03-08		5000611	Pin	2

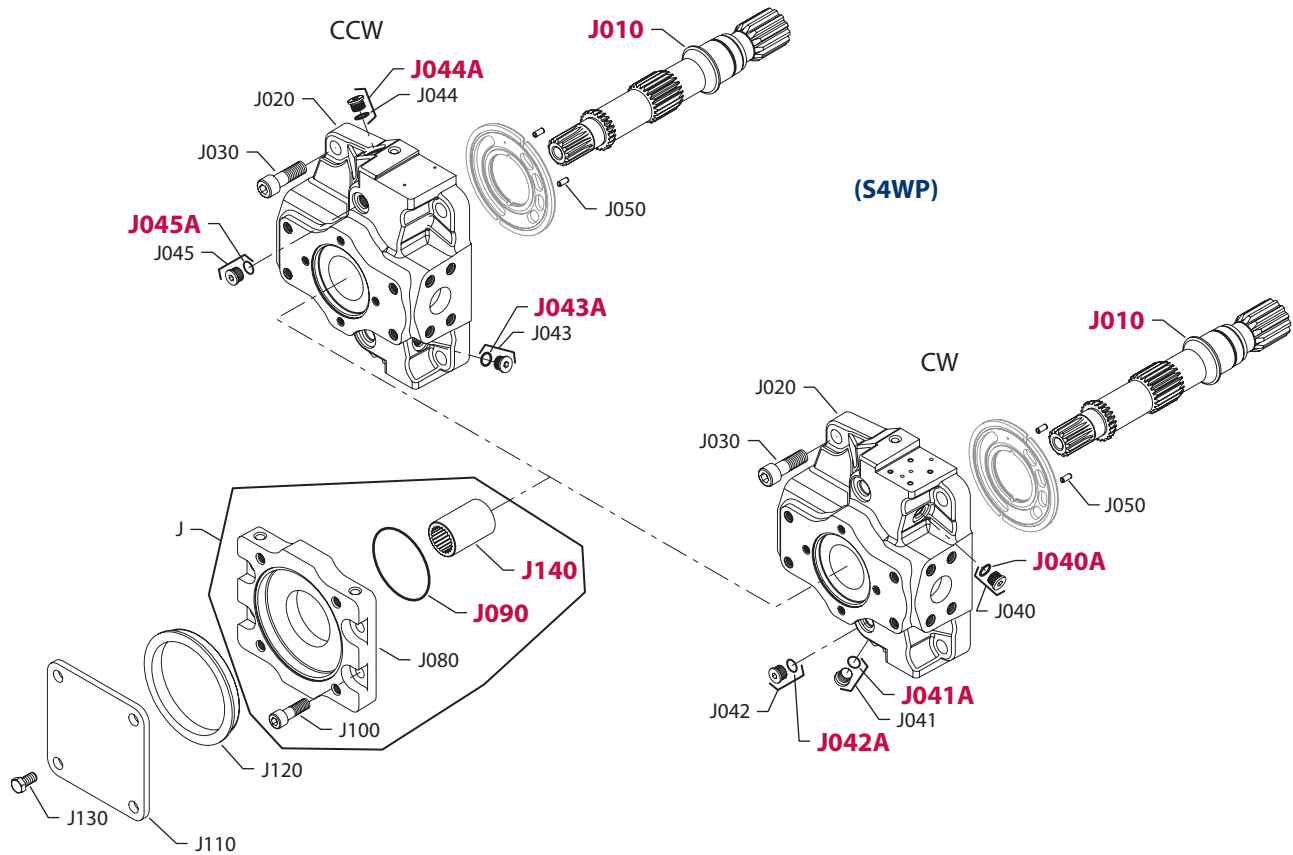
S4NP	J010	03-08		1700794	Shaft, 13-tooth spline	1
	J020	03-08		1700329	End cap, cw, radial ports, ERR	1
	"	03-08		1700330	End cap, ccw, radial ports, ERL	1
	J030	03-08		5000633	Screw	4
	J040	03-08		515965 (9005110-5600)	Plug, ERR	1
	J040A	03-08		085043 (9004201-3700)	O-ring, ERR	1
	J041	03-08		515965 (9005110-5600)	Plug, ERR	1
	J041A	03-08		085043 (9004201-3700)	O-ring, ERR	1
	J042	03-08		515965 (9005110-5600)	Plug, ERR	1
	J042A	03-08		085043 (9004201-3700)	O-ring, ERR	1
	J043	03-08		515965 (9005110-5600)	Plug, ERL	1
	J043A	03-08		085043 (9004201-3700)	O-ring, ERL	1
	J044	03-08		515965 (9005110-5600)	Plug, ERL	1
	J044A	03-08		085043 (9004201-3700)	O-ring, ERL	1
	J045	03-08		515965 (9005110-5600)	Plug, ERL	1
	J045A	03-08		085043 (9004201-3700)	O-ring, ERL	1
	J050	01-07		5000611	Pin	2



ENLARGED **BOLD** TYPE ITEM
NUMBERS ARE RECOMMENDED
PARTS TO BE STOCKED FOR SERVICING

SHAFT/AUXILIARY FLANGE/END CAP

Order code	Item	Date begin	Date end	Part number	Part name	Qty. per model/kit
S4TP	J010	03-08		1700401	Shaft, 13-tooth spline	1
	J020	03-08		1700407	End cap, cw, radial ports, ERR	1
	"	03-08		1700408	End cap, ccw, radial ports, ERL	1
	J030	03-08		5000633	Screw	4
	J040	03-08		515965 (9005110-5600)	Plug, ERR	1
	J040A	03-08		085043 (9004201-3700)	O-ring, ERR	1
	J041	03-08		515965 (9005110-5600)	Plug, ERR	1
	J041A	03-08		085043 (9004201-3700)	O-ring, ERR	1
	J042	03-08		515965 (9005110-5600)	Plug, ERR	1
	J042A	03-08		085043 (9004201-3700)	O-ring, ERR	1
	J043	03-08		515965 (9005110-5600)	Plug, ERL	1
	J043A	03-08		085043 (9004201-3700)	O-ring, ERL	1
	J044	03-08		515965 (9005110-5600)	Plug, ERL	1
	J044A	03-08		085043 (9004201-3700)	O-ring, ERL	1
	J045	03-08		515965 (9005110-5600)	Plug, ERL	1
	J045A	03-08		085043 (9004201-3700)	O-ring, ERL	1
	J050	03-08		5000611	Pin	2
	J110	03-08		4460586	Cover plate	1
	J120	03-08		4800482	A pad seal	1
	J131	03-08		049874 (9007200-3716)	Screw	2
	J140	03-08		1700403	Coupling, 11-tooth	1
S4VP	J	03-08		4510430	Auxiliary pad kit, SAE B-B	1
	J010	03-08		1700401	Shaft, 13-tooth spline	1
	J020	03-08		1700407	End cap, cw, radial ports, ERR	1
	"	03-08		1700408	End cap, ccw, radial ports, ERL	1
	J030	03-08		5000633	Screw	4
	J040	03-08		515965 (9005110-5600)	Plug, ERR	1
	J040A	03-08		085043 (9004201-3700)	O-ring, ERR	1
	J041	03-08		515965 (9005110-5600)	Plug, ERR	1
	J041A	03-08		085043 (9004201-3700)	O-ring, ERR	1
	J042	03-08		515965 (9005110-5600)	Plug, ERR	1
	J042A	03-08		085043 (9004201-3700)	O-ring, ERR	1
	J043	03-08		515965 (9005110-5600)	Plug, ERL	1
	J043A	03-08		085043 (9004201-3700)	O-ring, ERL	1
	J044	03-08		515965 (9005110-5600)	Plug, ERL	1
	J044A	03-08		085043 (9004201-3700)	O-ring, ERL	1
	J045	03-08		515965 (9005110-5600)	Plug, ERL	1
	J045A	03-08		085043 (9004201-3700)	O-ring, ERL	1
	J050	03-08		5000611	Pin	2
	J080	03-08		1700565	Adapter flange	1
	J090	03-08		673533	O-ring	1
	J100	03-08		5000007 (9007314-1207)	Screw	4
	J110	03-08		8801059	Cover plate	1
	J120	03-08		8801061	B pad seal	1
	J130	03-08		647248 (9007200-5021)	Screw	2
	J140	03-08		1700406	Coupling, 15-tooth	1



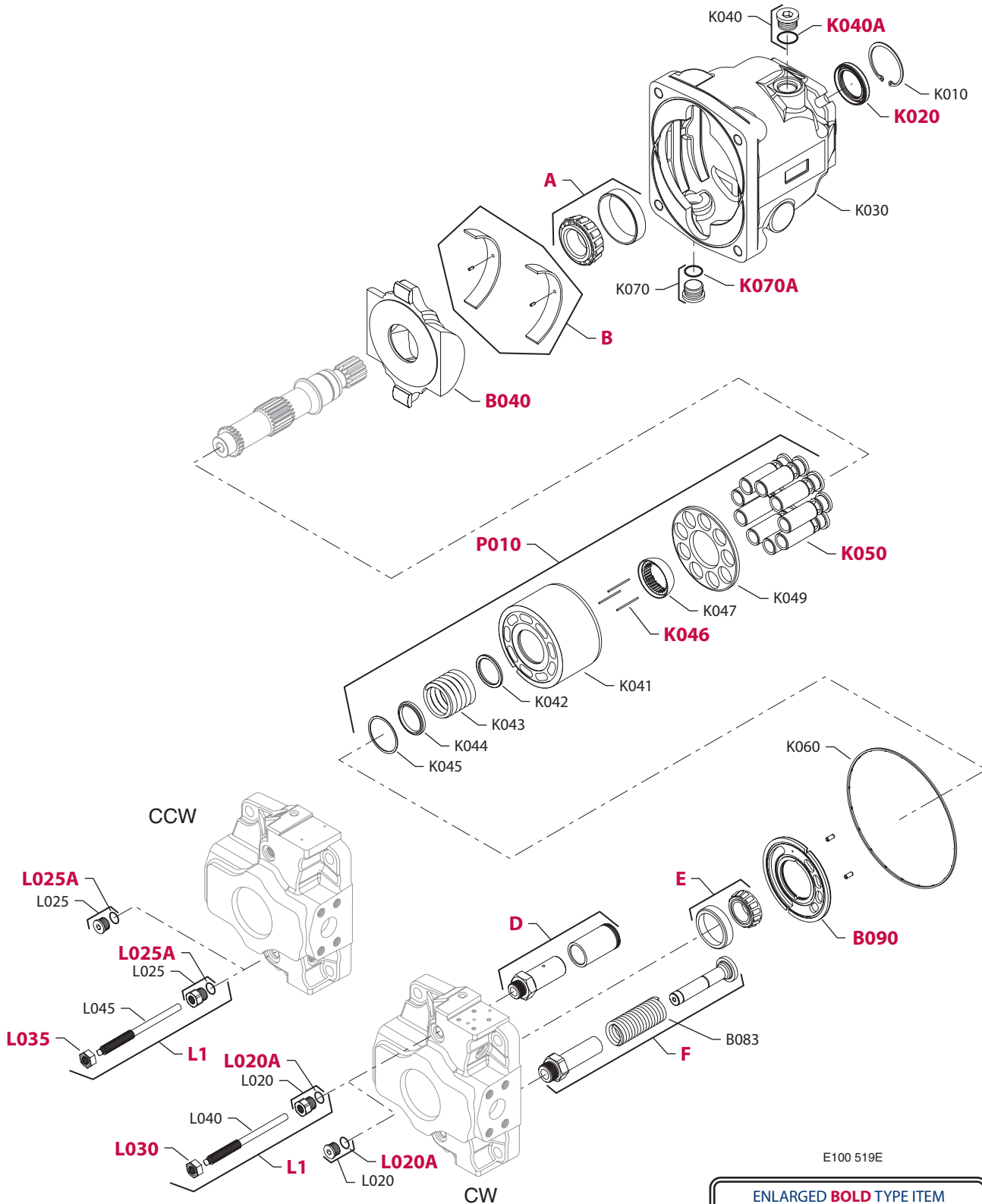
E100 526E

ENLARGED **BOLD** TYPE ITEM
NUMBERS ARE RECOMMENDED
PARTS TO BE STOCKED FOR SERVICING

SHAFT/AUXILIARY FLANGE/END CAP

Order code	Item	Date begin	Date end	Part number	Part name	Qty. per model/kit
S4WP	J	03-08		4510431	Auxiliary pad kit, SAE C	1
	J010	03-08		1700401	Shaft, 13-tooth spline	1
	J020	03-08		1700407	End cap, cw, radial ports, ERR	1
	"	03-08		1700408	End cap, ccw, radial ports, ERL	1
	J030	03-08		5000633	Screw	4
	J040	03-08		515965 (9005110-5600)	Plug, ERR	1
	J040A	03-08		085043 (9004201-3700)	O-ring, ERR	1
	J041	03-08		515965 (9005110-5600)	Plug, ERR	1
	J041A	03-08		085043 (9004201-3700)	O-ring, ERR	1
	J042	03-08		515965 (9005110-5600)	Plug, ERR	1
	J042A	03-08		085043 (9004201-3700)	O-ring, ERR	1
	J043	03-08		515965 (9005110-5600)	Plug, ERL	1
	J043A	03-08		085043 (9004201-3700)	O-ring, ERL	1
	J044	03-08		515965 (9005110-5600)	Plug, ERL	1
	J044A	03-08		085043 (9004201-3700)	O-ring, ERL	1
	J045	03-08		515965 (9005110-5600)	Plug, ERL	1
	J045A	03-08		085043 (9004201-3700)	O-ring, ERL	1
	J050	03-08		5000611	Pin	2
	J080	03-08		1700566	Adapter flange	1
	J090	03-08		673533	O-ring	1
	J100	03-08		5000007 (9007314-1207)	Screw	4
	J110	03-08		8801060	Cover plate	1
	J120	03-08		8801062	C pad seal	1
	J130	03-08		647248 (9007200-5021)	Screw	4
	J140	03-08		1700497	Coupling, 17-tooth	1

Series 45 E Frame 100, 130, and 147 cc Open Circuit Pumps
Service Parts Manual
Housing, shaft seal, displacement limiter,
special hardware, cylinder block kit, and displacement



E100 519E

ENLARGED **BOLD** TYPE ITEM
NUMBERS ARE RECOMMENDED
PARTS TO BE STOCKED FOR SERVICING

HOUSING/SHAFT SEAL

Order code	Item	Date begin	Date end	Part number	Part name	Qty. per model/kit
A1N	K010	03-08		5000634	Retaining ring	1
	K020	03-08		673525 (9008000-0114)	Lip seal	1
	K030	03-08		1700567	Housing	1
	K040	03-08		664524 (9005110-9000)	Plug assembly	1
	K040A	03-08		001156 (9004201-7500)	O-ring	1
	K060	03-08		1700501	End cap seal	1
	K070	03-08		664524 (9005110-9000)	Plug assembly	1
	K070A	03-08		001156 (9004201-7500)	O-ring	1

DISPLACEMENT LIMITER

NNN	L020	03-08		681296 (9005110-7500)	Plug assembly	1
	L020A	03-08		001131 (9004201-5000)	O-ring	1

AAA	L1	03-08		4510439	Displacement limiter plug kit, adjustable	1
	L020	03-08		1700750	Servo plug assembly, ERR	1
	L030	03-08		5000661	Seal nut, ERR	1
	L040	03-08		1700891	Displacement limiter screw, ERR	1
	L025	03-08		1700750	Servo plug assembly, ERL	1
	L035	03-08		5000661	Seal nut, ERL	1
	L045	03-08		1700891	Displacement limiter screw, ERL	1

SPECIAL HARDWARE

NNN	A	03-08		4510423	Front bearing kit	1
	B	03-08		4510424	Swashplate bearing kit	1
	E	03-08		4510096	Rear bearing kit	1
	F	03-08		4510425	Bias piston kit	1
	B040	03-08		1700800	Swashplate assembly	1
	B083	03-08		1700324	Bias spring	1
	B090	03-08		1700647	Valve plate, CW	1
	"	03-08		1700772	Valve plate, CCW	1

CYLINDER BLOCK KIT

	P010	03-08		1700449	Cylinder block kit	1
	K041	03-08		1700450	Cylinder block	1
	K042	03-08		1700451	Washer	1
	K043	03-08		1700453	Spring	1
	K044	03-08		1700452	Spring retainer	1
	K045	03-08		5000646	Retaining ring	1
	K046	03-08		1700384	Holddown pin	3
	K047	03-08		1700035	Slipper retainer guide	1
	K049	03-08		1700049	Slipper retainer	1
	K050	03-08		1700044	Piston assembly	9

DISPLACEMENT

100B	D	03-08		4510426	Servo piston kit, 100cc	1
130B	D	03-08		4510427	Servo piston kit, 130cc	1
147B	D	03-08		4510428	Servo piston kit, 147cc	1

OVERHAUL SEAL KIT

Order Code	Item	Date Begin	Date End	Part Number	Part Name	Qty. per Model/Kit
				4510433	Overhaul seal kit	1
	C103A	03-08		001123 (9004201-2500)	O-ring	1
	C104A	03-08		001123 (9004201-2500)	O-ring	1
	C106A	03-08		001123 (9004201-2500)	O-ring	1
	C107A	03-08		001123 (9004201-2500)	O-ring	1
	C118A	03-08		5000503 (9004104-1110)	O-ring	1
	C118B	03-08		5000657	Backup ring	2
	C138A	03-08		5000656	O-ring	1
	C200	03-08		4740154	Seal ring	3
	J040A	03-08		085043 (9004201-3700)	O-ring	1
	J041A	03-08		085043 (9004201-3700)	O-ring	1
	J042A	03-08		085043 (9004201-3700)	O-ring	1
	K020	03-08		673525 (9008000-0114)	Lip seal	1
	K040A	03-08		001156 (9004201-7500)	O-ring	1
	K060	03-08		1700501	End cap seal	1
	K070A	03-08		001156 (9004201-7500)	O-ring	1
	L020A	03-08		001131 (9004201-5000)	O-ring	1



Series 45 E Frame 100, 130, and 147 cc Open Circuit Pumps
Service Parts Manual
Notes



OUR PRODUCTS

Hydrostatic transmissions
Hydraulic power steering
Electric power steering
Electrohydraulic power steering
Closed and open circuit axial piston pumps and motors
Gear pumps and motors
Bent axis motors
Orbital motors
Transit mixer drives
Planetary compact gears
Proportional valves
Directional spool valves
Cartridge valves
Hydraulic integrated circuits
Hydrostatic transaxles
Integrated systems
Fan drive systems
Electrohydraulics
Microcontrollers and software
Electric motors and inverters
Joysticks and control handles
Displays
Sensors

Sauer-Danfoss Mobile Power and Control Systems – Market Leaders Worldwide

Sauer-Danfoss is a comprehensive supplier providing complete systems to the global mobile market.

Sauer-Danfoss serves markets such as agriculture, construction, road building, material handling, municipal, forestry, turf care, and many others.

We offer our customers optimum solutions for their needs and develop new products and systems in close cooperation and partnership with them.

Sauer-Danfoss specializes in integrating a full range of system components to provide vehicle designers with the most advanced total system design.

Sauer-Danfoss provides comprehensive worldwide service for its products through an extensive network of Authorized Service Centers strategically located in all parts of the world.

Sauer-Danfoss (US) Company
2800 East 13th Street
Ames, IA 50010, USA
Phone: +1 515 239-6000, Fax: +1 515 239 6618

Sauer-Danfoss (Neumünster) GmbH & Co. OHG
Postfach 2460, D-24531 Neumünster
Krokamp 35, D-24539 Neumünster, Germany
Phone: +49 4321 871-0, Fax: +49 4321 871 122

Sauer-Danfoss (Nordborg) A/S
DK-6430 Nordborg, Denmark
Phone: +45 7488 4444, Fax: +45 7488 4400

www.sauer-danfoss.com