

Up to 240 bar - 55 lpm


**Operation**

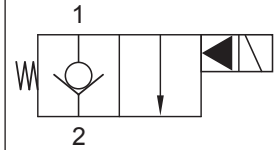
This is a solenoid operated 2 way normally closed poppet valve which is typically used to lock a load in position. When energised the poppet opens and releases the load from 1 to 2. De-energised the valve allows free flow from 2 to 1.

In the energised position it should be noted that 2 to 1 flow is restricted to only a pilot flow rate. If free flow is required in both directions when energised, valve type S2B should be used.

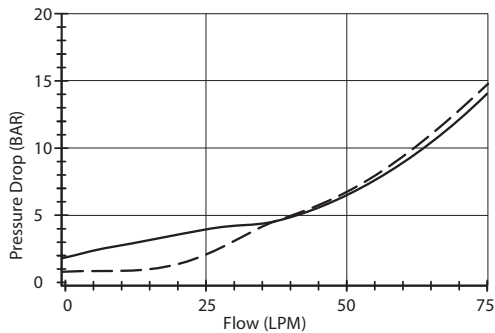
This valve can also be used as a directional valve.

**Manual override options available.**
**Features**

- Hardened parts for long life.
- Efficient wet-armature construction.
- Cartridges are voltage interchangeable.
- Manual override options.
- Industry common cavity.
- Unitised, molded coil design.
- Continuous duty rated solenoid.
- Optional coil voltages and terminations.
- Optional "I" Coil: Weatherproof, Thermal, Shock, Immersion Safe.

**Symbol**

**Performance**

32 cSt / 38°C.



--- Port 1 to 2 (eng)      ——— Port 2 to 1 (de-eng)

**Specifications**

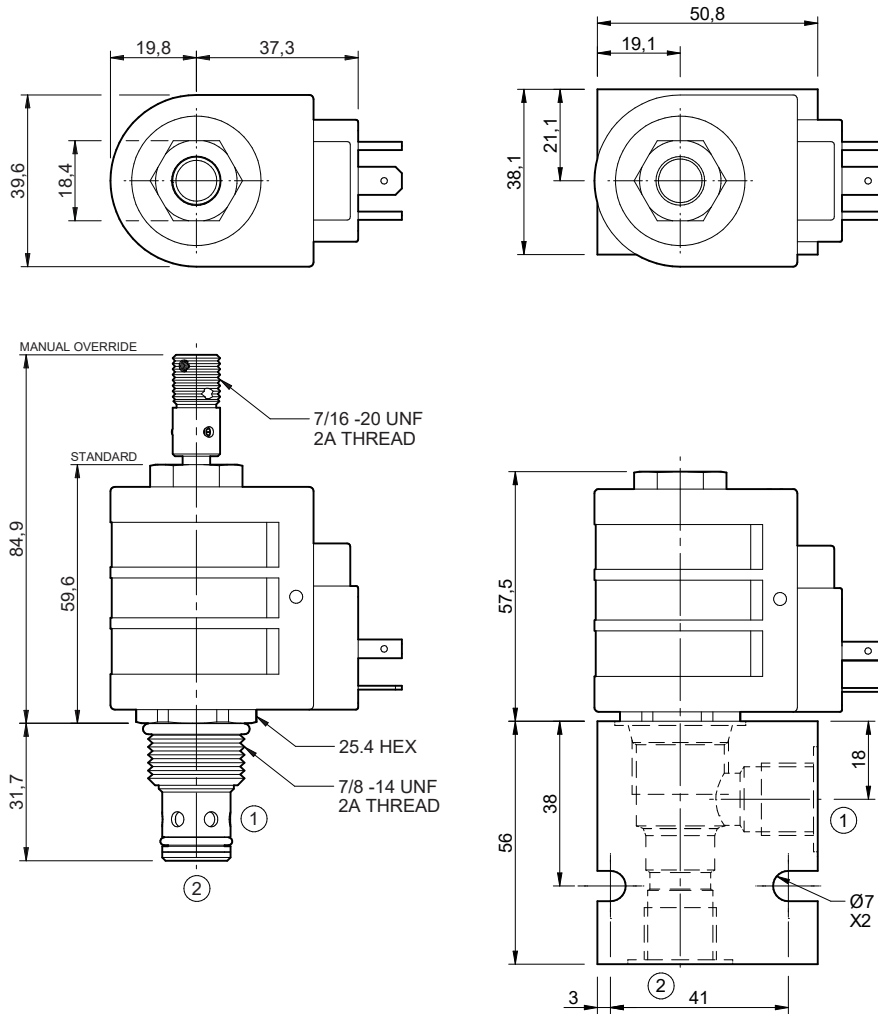
Nom. Flow (lpm)	55
Max. pressure (bar)	240
Internal Leakage (32 cSt)	0 to 0.25 cc/min at 240 bar
Hydraulic oil	General purpose hydraulic fluid
Viscosity Range	3 to 640 cSt
Filtration	ISO 18/16/13
Operating temp.	-40 to 120°C
Voltage	DC / AC (see coil data page <b>Coil-D</b> )
Cartridge Torque	41 Nm
Coil Nut Torque	5 to 8 Nm
Cavity	DE10-2 (see cavity data page <b>CAV-DE10-2</b> )
Spare Seal Kit (Viton)	SK-DDEVHA
Weight - Cartridge only	0.12 kg
Weight - Cartridge + Coil	0.45 kg
Weight - Cartridge + Coil + Body	0.68 kg (alum) 1.10 kg (steel)

**Energisation Chart**

Solenoid	Flow Direction	
	1 → 2	2 → 1
De-energised	Load holding	Free flow
Energised	Free flow	Restricted flow

### Dimensions

[mm]



### To Override

#### Detented Version

Pull & Twist

#### Non-Detented Version

Pull (spring return)

Coils can be fitted in any orientation.

Refer to data sheet **Coil-D** for coil options.

### Ordering Code

## D-DES2A

Options: \*\* \*\* \*\* \* \* \*

Options	Coil termination	Voltage	Port size (BSP)	No. of ports	Body material
<b>00</b> - Nitrile	<b>DL</b> - Double lead	<b>12</b> - 12 Vdc	<b>B</b> - 3/8"	<b>2</b> - 2 ports	<b>A</b> - Aluminium
<b>V0</b> - Viton	<b>DS</b> - Double spade	<b>24</b> - 24 Vdc	<b>C</b> - 1/2"	<b>Options</b> - See page B-DDE	<b>S</b> - Steel
<b>0M</b> - Nitrile, overr., detent	<b>HC</b> - EN 175301-803*	<b>48</b> - 48 Vdc	<b>Options</b> - See page B-DDE		<b>For pressures over 210 bar use steel.</b>
<b>VM</b> - Viton, overr., detent	<b>CL</b> - Conduit lead	<b>25</b> - 24 Vac			
<b>A0</b> - Nitrile, screen	<b>'I'</b> coils (12 & 24 volts only) weather/immersion proof (IP69)	<b>11</b> - 110 Vac			
<b>W0</b> - Viton, screen	<b>IA</b> - AMP superseal	<b>23</b> - 250 Vac			
<b>B1</b> - Nitrile, overr., non-detent	<b>ID</b> - Deutsch	<b>Options</b> - See page Coil-D			
<b>V1</b> - Viton, overr., non-detent	<b>IJ</b> - AMP Jr. Timer	<b>Omit</b> if coil is not required			
<b>B3</b> - Nitrile, screen, overr., non-detent	<b>IM</b> - Metripak				
<b>V3</b> - Viton, screen, overr., non-detent	<b>Options</b> - See page Coil-D				
<b>B4</b> - Nitrile, screen, overr., detent					
<b>V4</b> - Viton, screen, overr., detent					

\*Formerly DIN 43650 Hirschmann connector.