

Anver Vacuum Tilters and Upenders are loaded with safety features and have come to set the standard for safe tilting of loads. Each version has been revised over the years to perform better and last longer. The pads, vacuum generators, frame, controls, hardware, filters, safety features and handlebars etc are all new and improved. Every aspect of the lifters has been redesigned and the latest represent the best Tilters available.

The standard AMC-Series Compressed Air Powered Vacuum Lifters are designed to significantly reduce the effort of upending heavy loads while providing powerful suction force and 90 degree manual tilt and 360 degree manual rotation capability.

Built with safety in mind, these lifters/tilters are loaded with protective features including: a VLS, 9V battery powered vacuum leakage sensor and warning system; an attach/release slide valve with safety lock. The AMC-Series Lifters/Tilters are capacity rated at a maximum vacuum level of 24 in. Hg (609.6 mm Hg) with a 4:1 safety factor on vacuum holding (unless otherwise specified).

AMC-Series lifters come equipped with removeable pad extensions. The vacuum pads can be mounted inline for handling long and narrow loads or without the extensions for handling short and narrow loads. Constructed with an ergonomic lifter handlebar and a welded steel lifting frame, operators can use this equipment with ease and comfort for a wide range of loads and applications.

*Load weight and depth affect the final angle that the lifter achieves. Consult ANVER for loads thicker than 1.18 in. (3cm) due to center of gravity offset.

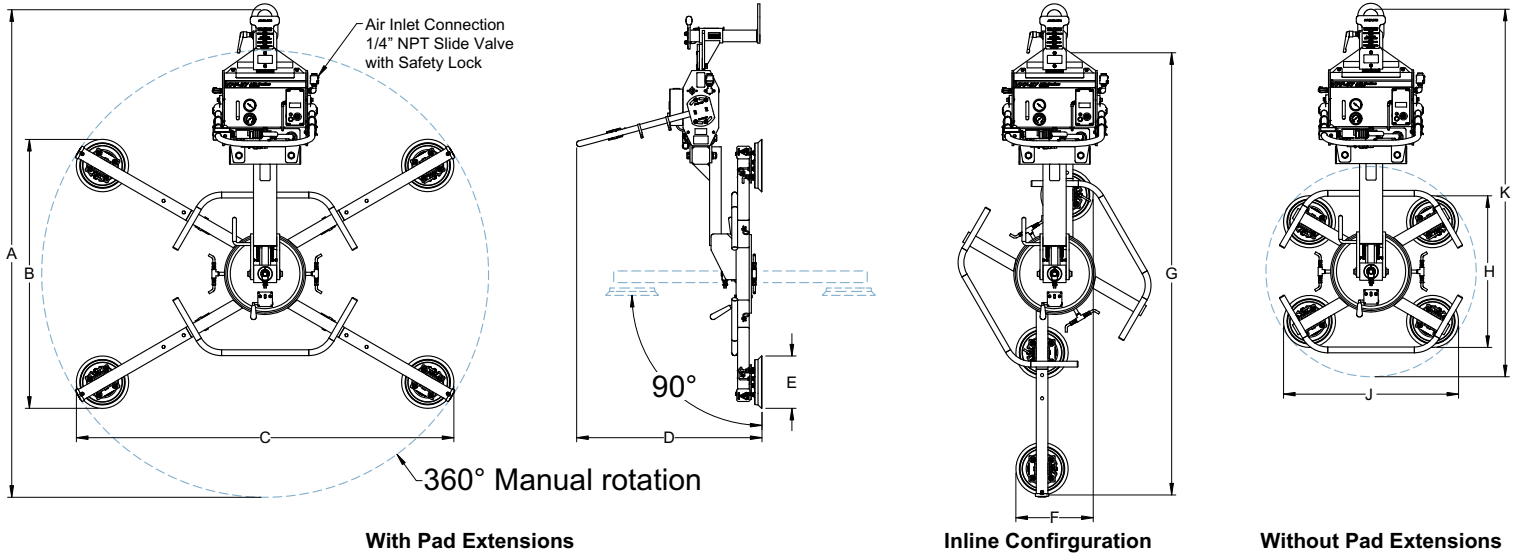
**Requires
90 PSI
6.1 SCFM**



Without Pad Extensions



Inline Configuration



Lifter Model	AMC50M4-46E-MTR	AMC70M4-46E-MTR
Rated Load Capacity [lbs (kg.)]	500 (227)	700 (317)
Unit Weight [lbs (kg.)]	225 (102)	265 (121)
Incoming Power Requirement [psi]	90	90
A Lifter Headroom w/ Extensions [in. (mm)]	84 (2134)	86 (2185)
B Pad Distances w/ Extensions [in. (mm)]	47 (1194)	50 (1270)
C Pad Distances w/ Extensions [in. (mm)]	65 (1651)	69 (1753)
D Vertical Lifter Depth [in. (mm)]	32 (813)	32 (813)
E Pad Size [in. (mm)]	9.25 (235)	12.6 (321)
F Pad Distances, Inline [in. (mm)]	14 (356)	17 (432)
G Pad Distances, Inline [in. (mm)]	76 (1931)	80 (2032)
H Pad Distances w/o Extensions [in. (mm)]	27 (686)	30 (762)
J Pad Distances w/o Extensions [in. (mm)]	31 (788)	34 (864)
K Lifter Headroom w/o Extensions [in. (mm)]	64 (1646)	66 (1677)
Maximum Plate Dimensions [ft. (M)]	10 x 5 (3.0 x 1.5)	10 x 5 (3.0 x 1.5)
Pad Number	VP90	VP126