

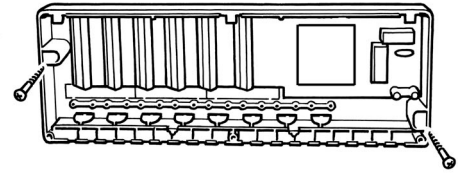
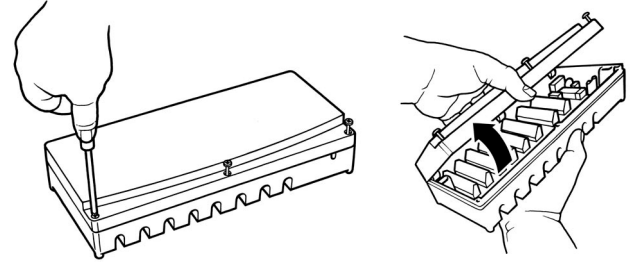


FH-WC 24V Hardwired Underfloor Heating Connection Box Installation Instructions

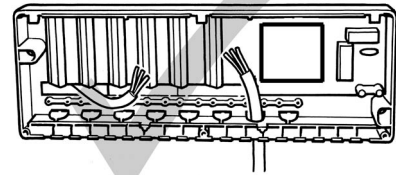


Specification	FH-WC
Code number	088H0131
Hard-wired control box for underfloor heating	●
Number of zone outputs for thermal actuators	10
Maximum number of actuator per zone	1
Zone outputs - voltage	24Vac
Zone outputs- max rating	3W
Night set-back channels (1)	2
Voltage free relay output for interlocks	2 x SPST
Voltage rating of interlock relay	230 Vac, 50 Hz
Current rating of interlock relay	2 Amps, inductive
Power supply	230 Vac, 50 Hz
Max ambient temperature	50°C
Dimensions, mm	314w x 110h x 61d
(1) Night set-back requires separate time control	

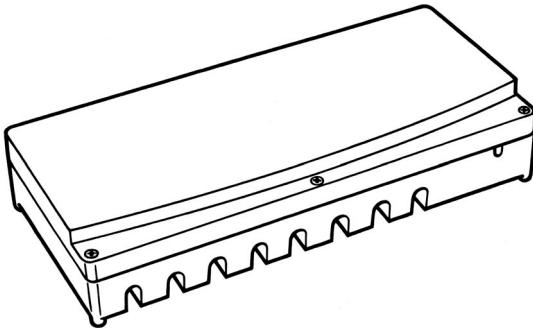
Mounting



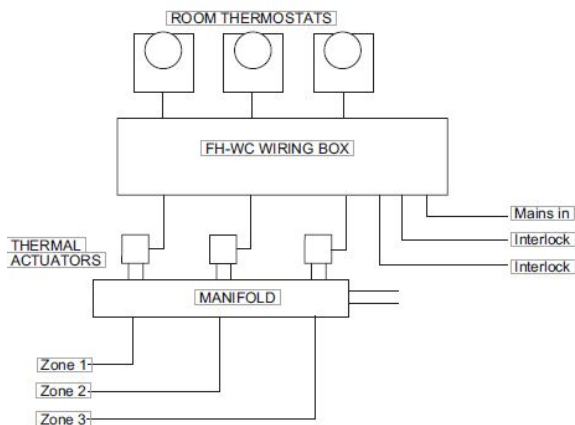
Cable Access: Thermostats, Interlock and Mains



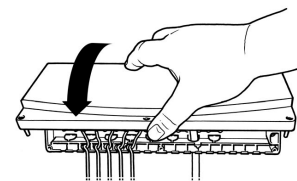
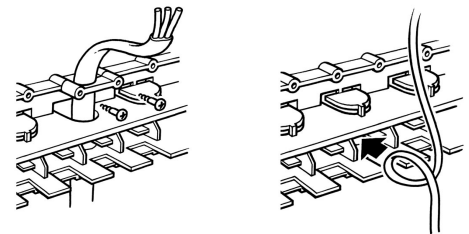
FH-WC Hard Wired Box



System Schematic



Cable Access: Thermal Actuators



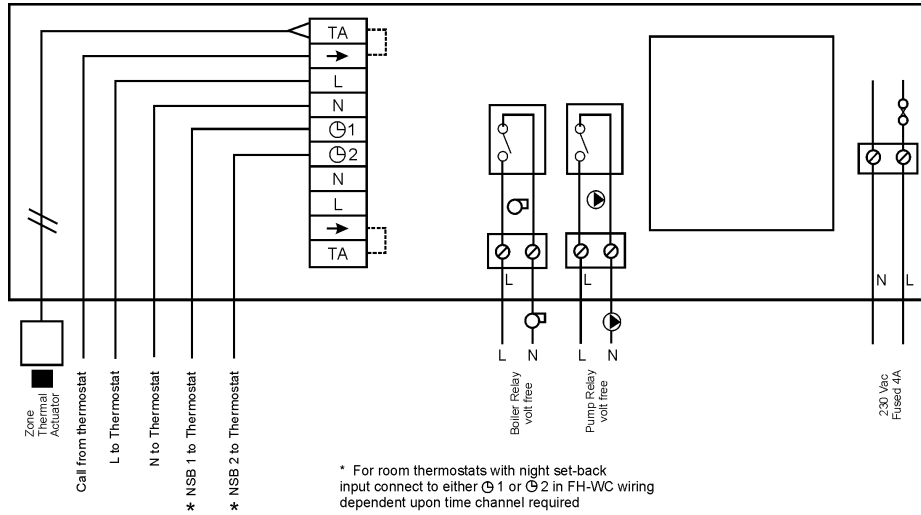
October 2017



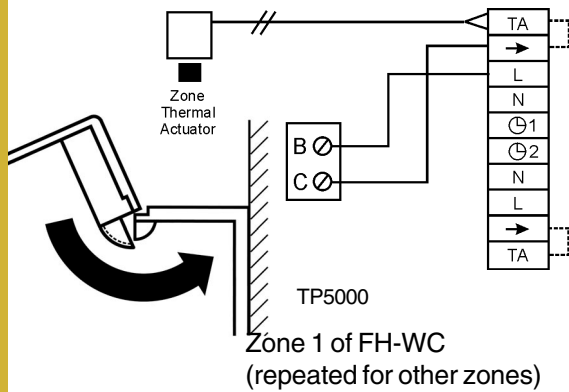


Wiring Connections

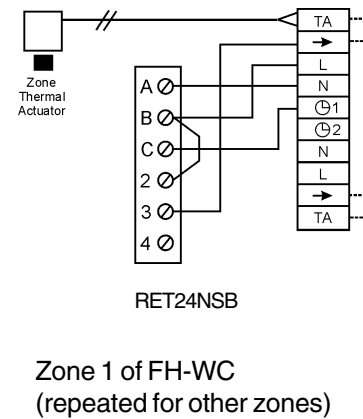
System 1: basic system without time control



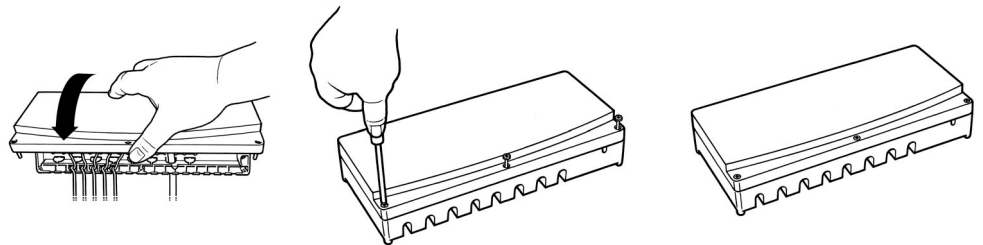
System 2: system with programmable room thermostats



System 3: system with 2 channel centralised night set-back



Replacing Wiring Box Cover



Danfoss

