

415

# INSTALLATION INSTRUCTIONS FOR BEST SINGLE KEYED UNION CYLINDER

1. Prepare Door — Refer to lock manufacturers' specifications.
2. Rotate cam until the lobe is vertical and concealed within the housing slot. Looking into the "figure 8" hole, rotate throw pins until they are  $7\frac{1}{2}$  degrees from horizontal position and "v" mark is at top (Fig. 1).
3. Install core.
4. Insert cylinder assembly into lockset and tighten set screw (Fig 2).
5. With door open, check operation of lockset.

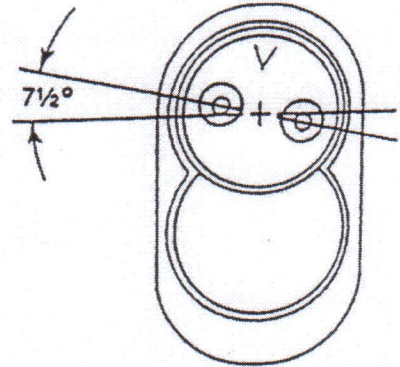


Fig. 1

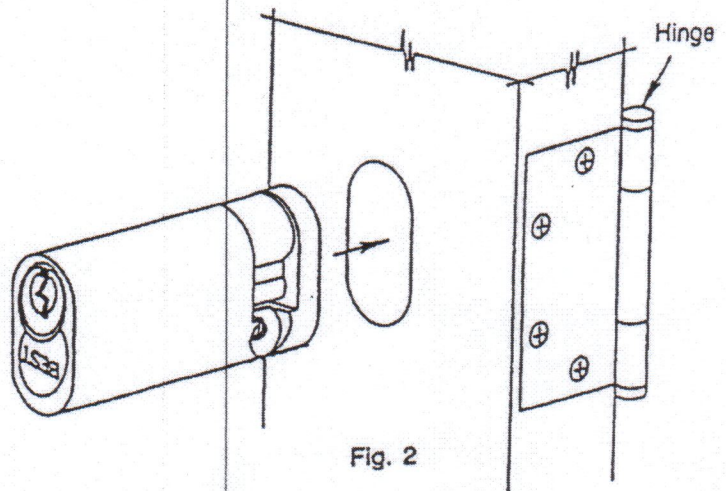


Fig. 2

#### Patents

4424693, 4386510, D290085, 4444034,  
3603123, 4244093, 4655063, 4843852,  
4195504. Other patents pending.



**BEST LOCK CORPORATION**  
INDIANAPOLIS, INDIANA 46250