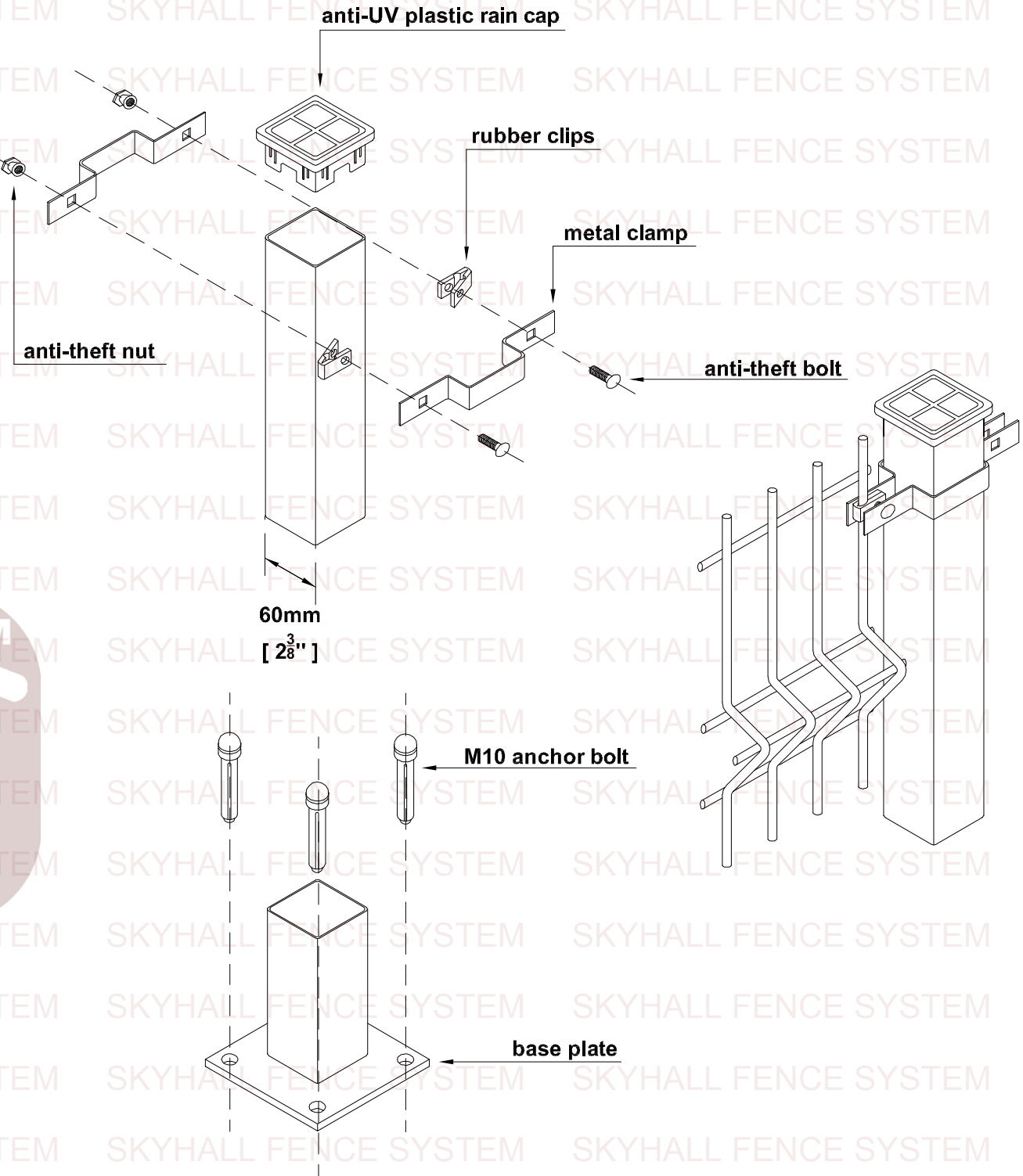
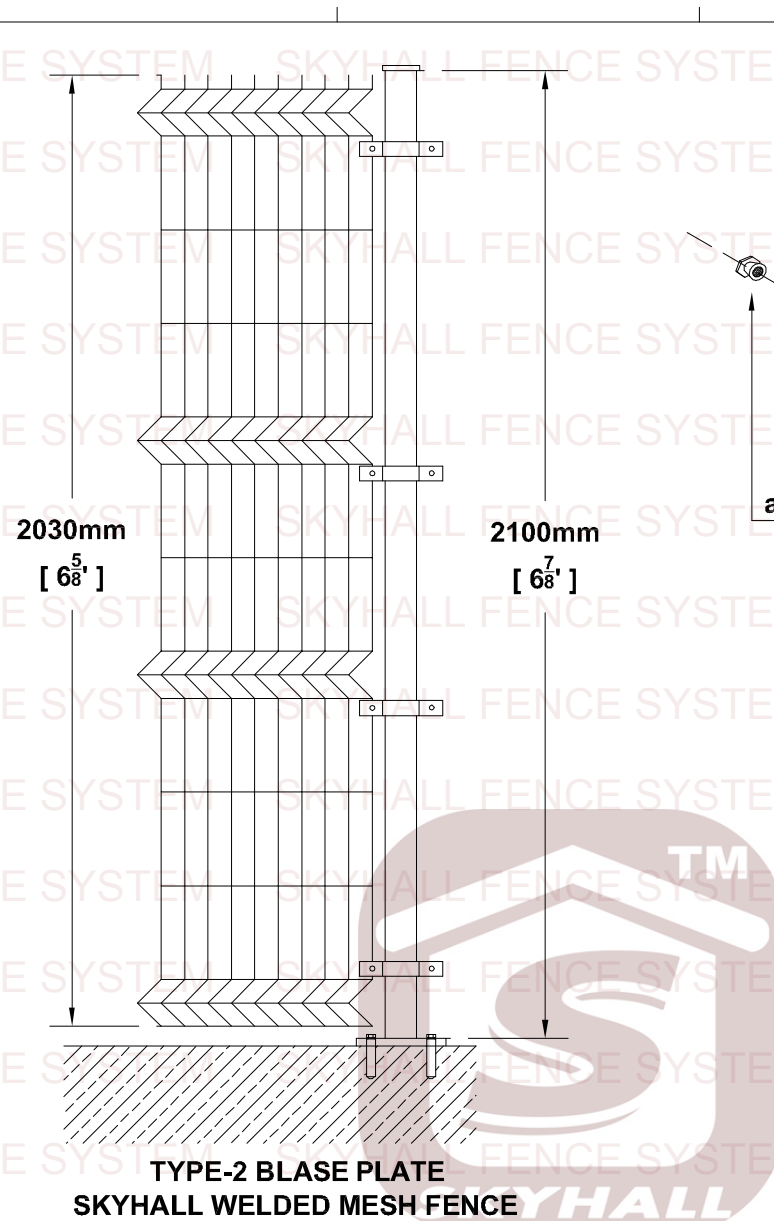
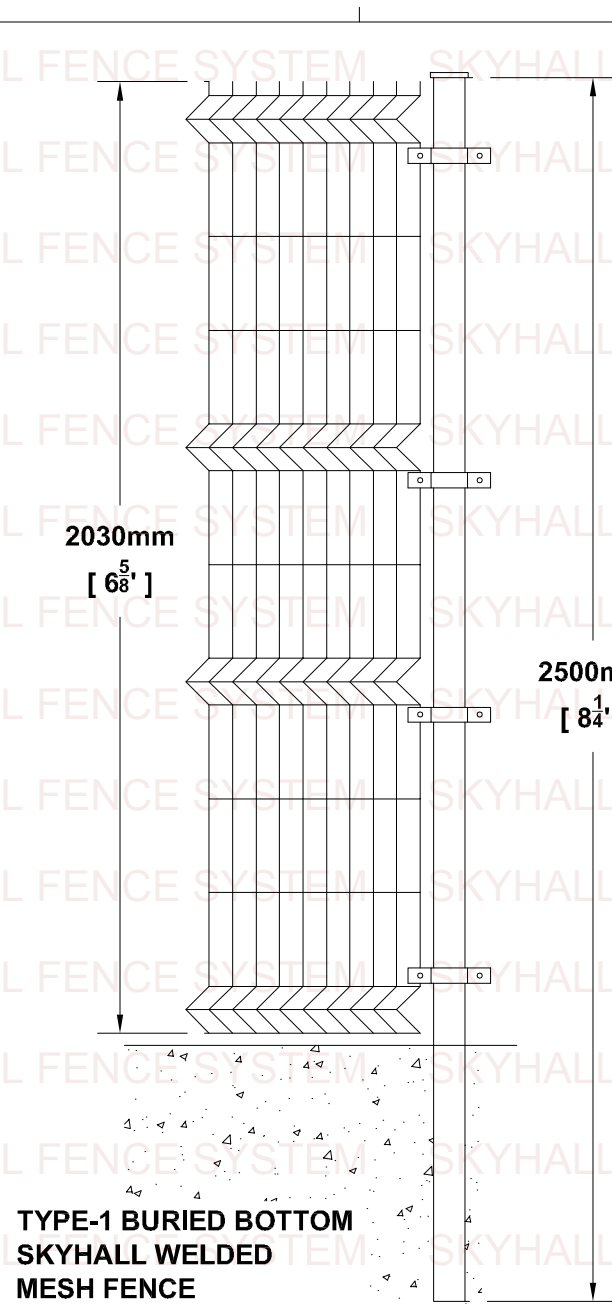


# SKYHALL FENCE SYSTEM

ADDRESS: Room 1103, Import & Export building, #486 hepingxi rd, Xinhua district, Hebei province, China.

TEL: (0086) 311-8783-1537  
FAX: (0086) 311-8610-2039

WEBSITE: www.skyhall.org  
E-MAIL: info@skyhall.org



**SKYHALL 110 SERIES (WELDED MESH FENCE)  
SKYHALL FENCE SYSTEM**

Post Size	Post Wall Thick	Clamp	Rain Cap	Surface
60mm x 60mm [ 2 3/8" ]	1.5mm [ gauge #17 ]	metal clamp	metal rain cap	hot-dipped galvanized
	2.0mm [ gauge #15 ]			
	2.5mm [ gauge #13 ]			
80mm x 80mm [ 3 1/8" ]	3.0mm [ gauge #11 ]	PVC clamp	PVC rain cap	electric galvanized + polyester powder
	4.0mm [ gauge #8 ]			

Rev	Date	Changed	By	Material	Q195/235	Spec
01	n/a	n/a		Mass	N/A	
02				<b>SKYHALL FENCE 110 SERIES WELDED MESH FENCE (CONNECTION)</b> N/A		
03						
04						
05						
06						
07				Status	Designer	RAY HAN
				Status by	Date	2014-08-04
					DIN A3	<b>SKH110A0003</b>
					Scale 1:1	

THIS DRAWING AND THE RELATED INFORMATION IS AND REMAINS THE EXCLUSIVE PROPERTY OF SKYHALL WITHOUT THE PRIOR WRITTEN CONSENT OF SKYHALL. THIS DRAWING AND THE RELATED INFORMATION MAY NEITHER BE COPIED OR REPRODUCED, NOR COMMUNICATED IN ANY WAY TO A THIRD PARTY, NOR USED FOR MANUFACTURING OUTSIDE SKYHALL EACH INFRINGEMENT OF THESE INTELLECTUAL PROPERTY RIGHTS OF SKYHALL SHALL GIVE RISE TO LEGAL PROCEEDINGS.