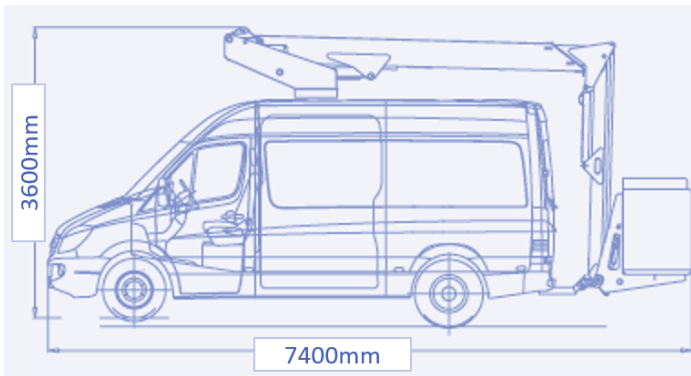
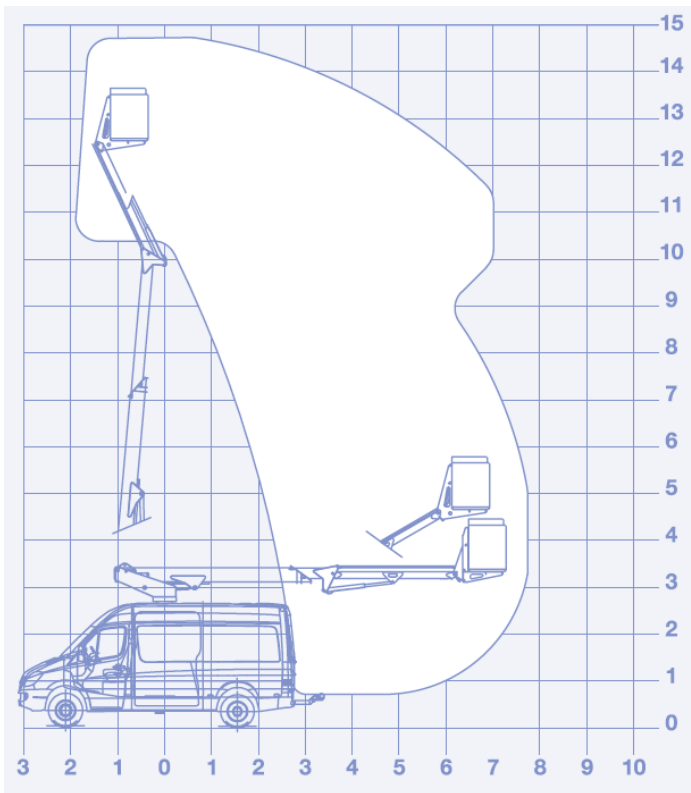


15m working height telescopic boom with jib on 5t GVW panel van



15m working height telescopic boom with jib on 5t GVW panel van



KEY SPECIFICATIONS

Maximum working height	15.0m
Horizontal reach	7.7m
SWL in platform (2 person)	230kg
Platform size (1.1m high)	0.8 x 1.3 m
Turret rotation	360 deg.
Minimum vehicle GVW	4600kg
Typical wheelbase	3500mm
Stabiliser spread	3.2m
Power source.....	PTO on vehicle
Kerb weight (no crew) approx.....	4050kg

STANDARD FEATURES

- Direct hydraulic proportional controls
- Walk-in polyethylene cage with full height door
- Two hydraulic stabilisers operated from cab
- Two section all steel telescopic boom
- 2.9m jib with 120 degree operational arc
- 12V DC auxiliary power pack for emergency operation including stabiliser retract
- Stabiliser/boom and PTO/handbrake interlocks
- Warning lights for : booms-not-stowed, stabilisers-not-stowed and PTO engaged

OPTIONS

- Amber beacons on cab roof
- Removeable spotlight at platform
- Hi-viz warning chevrons to vehicle and/or platform
- 110v power cable load bay to cage
- Reverse alarm with night-silent facility
- Rear view camera
- Electric wash hand basin in load bay

TYPICAL VEHICLES

- Iveco Daily 50C15 3520mm wheelbase H2 van
- Mercedes Sprinter 413CDi 3665mm (medium) wheelbase high roof panel van