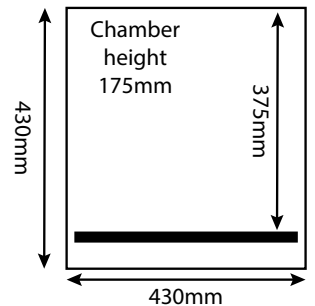


Buy or  
rent for just  
**£10.95 per week**  
All prices exclude V.A.T.

## > VM400

### VACUUM PACKER

Vacuum packing extends the shelf life of products such as vegetables, fish, cheese and cooked food, to ensure the food is kept in a safe condition.



The VM400 vacuum packer has the following features :

- > Stainless steel moulded chamber
- > Flat top domed transparent lid
- > Electronic control panel
- > Heavy duty 20m<sup>3</sup>/h pump ~ Power 0.9Kw – 240v single phase
- > Removable 'wireless' 400mm seal bar
- > Machine size : 480w x 530d x 470h

### About CRS-epos

CRS is a family run business that has been supplying cash registers, EPOS systems, scales & food equipment for over 37 years to businesses throughout Suffolk, North East Essex & South Norfolk.

To find out more  
Visit our showroom at :  
94 Rushmere Road,  
Ipswich, IP4 4JY.

T : 01473 723515  
E: sales@crs-epos.com

The information given in this leaflet is subject to change without notice and does not represent a commitment on the part of CRS-epos