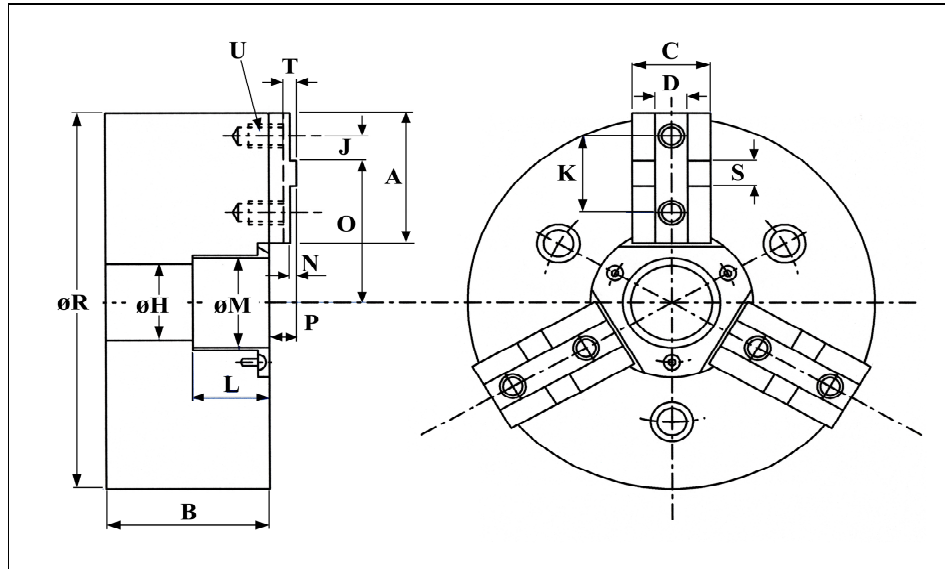


SLOT & TENON (MALE CROSS TENON) CHUCK DATA SHEET

1. PLEASE FILL IN THE RELEVANT DETAILS FOR THE ITEM REQUIRED.
2. COMPLETE ALL DETAILS AT BOTTOM OF PAGE.
3. FAX OR E-MAIL COMPLETED PAGE TO CRENOL & WILSON (WORKHOLDING) LTD.



		CHUCK DATA
CHUCK MANUFACTURER / FULL CHUCK MODEL No. / FULL CHUCK SERIAL No.		
CHUCK DIAMETER	ϕR	
CHUCK WIDTH	B	
NO. OF BASE JAWS (2 JAW CHUCK, 3 JAW CHUCK OR OTHER)		
CENTRE BORE OF CHUCK	ϕH	
CENTRE BORE OF DUST CAP	ϕM	
DEPTH OF DUST CAP	L	
BASE JAW LENGTH	A	
BASE JAW WIDTH	C	
TENON WIDTH	S	

		CHUCK DATA
HEIGHT OF TENON	N	
DISTANCE FROM TOP OF TENON TO CHUCK FACE	P	
DISTANCE FROM CENTRE LINE OF REAR HOLE TO REAR EDGE OF TENON	J	
HOLE CENTRE SPACING	K	
MINIMUM DISTANCE FROM CENTRE LINE OF CHUCK TO REAR EDGE OF TENON	O _{min}	
MAXIMUM DISTANCE FROM CENTRE LINE OF CHUCK TO REAR EDGE OF TENON	O _{max}	
SLOT WIDTH	D	
DISTANCE FROM TOP OF TENON TO BOTTOM OF SLOT	T	
BASE JAW THREAD DEPTH AND SIZE	U	

COMPANY: _____

ADDRESS: _____

POST CODE: _____

CONTACT: _____ POSITION: _____ DEPARTMENT: _____

TEL No: _____ FAX No.: _____ E-MAIL: _____

PLEASE FAX TO: 01794-830027 or E-MAIL: sales@crenolandwilson.com