

Installation and operation recommendations

- Meters should be shipped in their original package to the place of installation.
- Meters have to be handled with care and protected against falls, direct influence of rain, snow or high humidity.
- The measured gas should be clean, dry and free from solid impurities.
- It is recommended that the upstream pipe installation is to be equipped with a filter (10 micron).
- Prior to putting into operation in new installations, it is recommended to install a temporary top hat filter.
- Prior to installation the upstream and downstream piping and flanges should be aligned properly.
- Flange gaskets are to be installed so as not to disturb the gas flow.
- The gas flow should be in accordance with the arrow placed on the meter body.
- The piping should be executed so as to avoid unnecessary stresses acting on the meter.
- When used outdoors the meter should be protected against direct weather influence.
- When starting the gas flow through the installation, the valves should be opened slowly to ensure a gradual increase of pressure.
- It is required to install the quantometer after a 5D upstream pipe length and before 3D downstream pipe length.

ATTENTION! If valves are opened abruptly or pressure increase takes place in a short time it may happen that the measurement cartridge or the turbine wheel get damaged.

INCREASE PRESSURE GRADUALLY - NO MORE THAN 350 mbar/s!

ALWAYS REMEMBER TO START UP THE METERS IN A PROPER WAY!

For more information, contact your local sales representative

MWA Technology Ltd
2 Wharton Street Industrial Estate, Nechells,
Birmingham, West Midlands B7 5TR
t: 0121 327 7771
f: 0121 327 1117
m: 07789 072490
e: rob.jenkins@mwatechnology.com
www.mwatechnology.com



COMMON SPÓŁKA AKCYJNA
ul. Aleksandrowska 67/93
91-205 Łódź, Poland
Tel. +48 42 253 66 00
Fax. +48 42 253 66 99
www.common.pl

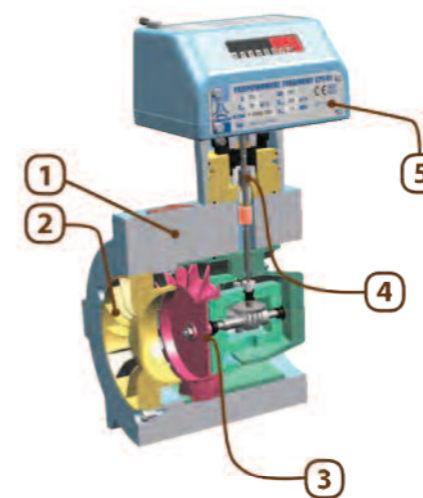


CPT-01

Quantometer for secondary measurements



CPT Quantometers have been designed in order to provide our customers with reliable and inexpensive measuring instruments for secondary flow measurements. Our great experience in designing and manufacturing of turbine and rotary gas meters resulted in the development of industrial quantometers. Taking into account our customers' demands we created the instrument with excellent metrological characteristics and operating performance close to performances of the turbine gas meters designed for custody transfer measurements. Other advantages of the CPT Quantometers are as follows: high quality, easy maintenance, wide range of external devices that can co-operate with the quantometers, e.g. volume correctors, data loggers, data transmission systems. Due to that the CPT Quantometers are well accepted by our domestic and foreign customers.



The basic components of the CPT Quantometer are as follows:

- pressure resistant meter body (1)
- inlet flow straightener (2)
- measuring cartridge with the turbine wheel (3)
- magnetic coupling as the transferring element between measuring cartridge and the index head (4)

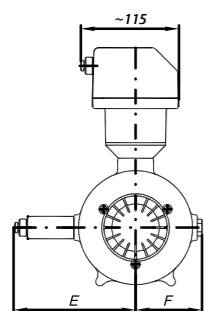
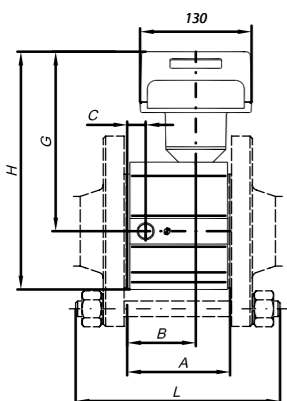
- ✓ pressure rating:
PN16, PN20, ANSI150
- ✓ nominal diameter:
DN25 up to DN200
- ✓ meter casing:
aluminium or steel (DN200)
- ✓ flow:
2,5 to 1600 m³/h
- ✓ rangeability:
up to 1:30
(depending on the meter)
- ✓ temperature range:
gas temperature: -20°C to +60°C
ambient temperature: -25°C to +70°C
- ✓ operating position:
horizontal or vertical
- ✓ measurement accuracy:
 $Q_t \div Q_{max} < \pm 1,5\%$
 $Q_{min} \div Q_t < \pm 3,0\%$
- ✓ allowed medias: see Table 5



Dimensions and weight

Overall dimensions and weights of the CPT-01 Quantometers

Sandwich version



Dimensions E & F for all types

Table 1: Specification of the CPT-01 Quantometers.

DN	G	Maximum flow Q _{max} m ³ /h	Pressure loss at Q _{max} mbar	Minimum flow Q _{min}			LF pulse rate pulse/m ³	HF1, HF2 pulse rate pulse/m ³	HF pulse rate pulse/m ³
				1:10 m ³ /h	1:20 m ³ /h	1:30 m ³ /h			
40	40	65	2,5	6	-	-	10	2610	94830
	65	100	5,0	10	-	-			
50	40	65	2,5	6	-	-	10	2610	94830
	65	100	5,0	10	-	-			
65	65	100	1,6	10	8	-	10	1081	42560
	100	160	3,8	16	8	-			
80	100	160	3,7	16	8	-	1	1081	42560
	160	250	5,4	25	13	8			
	250	400	11,4	40	20	13			
100	160	250	3,7	-	13	8	1	692	16780
	250	400	4,2	-	20	13			
	400	650	8,8	-	32	20			
150	400	650	2,4	-	32	20	1	227	6870
	650	1000	6,4	-	50	32			
	1000	1600	16,0	-	80	50			
200**	650	1000	2,0	-	50	32	1	114	3110
	1000	1600	6,0	-	80	50			
	1600	2500	15,0	-	130	80			

* Pressure loss for air at atmospheric conditions ** DN200 casing is made of steel.
All quantometers' casings are made of aluminium apart from DN200.
Contact your local representative or the producer to get more information about the products.

Table 2: Dimensions and weights of the CPT-01 Quantometers.

DN	A	B	C	D	E	F	G	H	J	k*	L	Weight
	mm	mm	mm	mm	mm	mm	mm	mm	mm		mm	kg
50	100	65	18	32	158	74	199	252	78	4xM16	200	3,6
65	120	80	21	38	170	86	211	278	90	4xM16	220	5,1
80	120	80	21	38	170	86	211	278	90	8xM16	220	5,3
100	150	100	29	53	185	100	225	305	105	8xM16	250	7,4
150	180	127	50	76	210	125	243	351	130	8xM20	300	11,6
200	200	146	56	83	225	140	272	407	145	12xM20	320	48,5

k* - amount of stud bolts necessary for mounting the wafer-type quantometers
Contact your local representative or the producer to get more information about the products.

Overall dimensions and weights of the CPT-01 Screwed Quantometers

with couplings

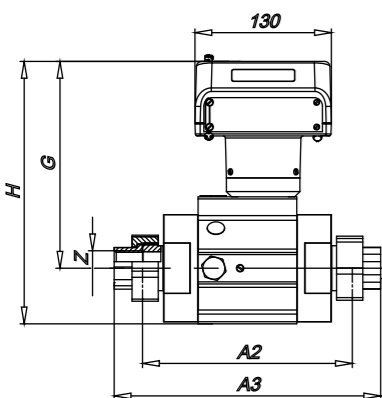


Table 3: Specification of the CPT-01 Screwed Quantometers.

DN	G	Internal thread	Maximum flow Q _{max} m ³ /h	Pressure loss*		Minimum flow Q _{min} 1:10 m ³ /h	LF pulse rate pulse/m ³	HF1, HF2 pulse rate pulse/m ³	HF3 pulse rate pulse/m ³
				Q _{nom} mbar	Q _{max} mbar				
25	16	1 ; 1/4	25	1,5	4	2,5	10	9770	113585
	25	1	40	1,5	4	4			
32	25	1/4	40	1,4	3,2	4	10	8925	103755
40	40	G 1 1/2	65	1	2,5	6	10	2610	94830
	65		100	2	5	10		2610	94830
50	40	G 2	65	1	2,5	6	10	2610	94830
	65		100	2	5	10		2610	94830

* Pressure loss for air at atmospheric conditions

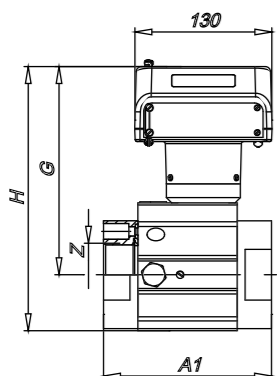
All quantometers' casings are made of aluminium.
Contact your local representative or the producer to get more information about the products.

Table 4: Dimensions and weights of the CPT-01 Screwed Quantometers.

DN	A1	A2	A3	G	H	Z	Weight
	mm	mm	mm	mm	mm	inch	kg
25	-	200	250	199	252	1; 1/4	4,6
32	-	200	250	199	252	1/4	4,6
40	160	-	-	199	252	G 1 1/2	4,4
50	160	-	-	199	252	G 2	4,4

G Threads as per DIN/ISO 228-1 standard and the others as per ISO 7-1/EN 10226-1 standard.

with internal thread



Pressure loss

Pressure drop during the gas flow through the quantometers is determined for air at atmospheric conditions. Maximum value of the Δp_{max} pressure drop for every CPT-01 Quantometer is given in Tables 1 and 3. This value was established during tests carried out at Q_{max} with air (ρ = 1,2kg/m³ density). At real conditions Δp_{rz} pressure drop may be calculated with the following formula:

$$\Delta p_{rz} = \frac{\rho}{\rho_0} \cdot \frac{p_a + p}{p_a} \cdot \left(\frac{Q_{rz}}{Q_{max}} \right)^3 \cdot \Delta p_{max} [mbar]$$

Definitions:

- ρ - gas density according to Table 5 [kg/m³]
- ρ₀ - air density, 1,2kg/m³
- p_a - base pressure (1013,25mbar)
- p - gauge pressure [mbar]
- Δp_{max} - maximum pressure loss [mbar]
- ΔQ_{max} - maximum flow according to Table 1 or 3 [m³/h]
- Q_{rz} - flow at real conditions [m³/h]

Table 5: Physical properties of the most popular gases that may be measured by CPT-01 Quantometer.

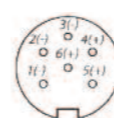
Density at 101,325kPa and 20°C.

Gas	Chemical symbol (formula)	Density ρ [kg/m ³]	Density related to air	Execution
Argon	Ar	1,66	1,38	Standard IIB
Butane	C ₄ H ₁₀	2,53	2,10	Standard IIB
Carbon dioxide	CO ₂	1,84	1,16	Standard IIB
Carbon monoxide	CO	1,16	0,97	Standard IIB
Ethane	C ₂ H ₆	1,27	1,06	Standard IIB
Ethylene	C ₂ H ₄	1,17	0,98	Standard IIB
Helium	He	0,17	0,14	Standard IIB
Methane	CH ₄	0,67	0,55	Standard IIB
Natural gas	-	-0,75	-0,63	Standard IIB
Nitrogen	N ₂	1,16	0,97	Standard IIB
Propane	C ₃ H ₈	1,87	1,56	Standard IIB
Acetylene	C ₂ H ₂	1,09	0,91	Special IIC
Hydrogen	H ₂	0,08	0,07	Special IIC
Air	-	1,2	1,00	Standard IIB

Description of pulse sensor connections

Pulse sensor pin numbering in sockets 1 and 2 installed in the index head. The sockets match the TUCHEL plug No C091 31H006 100 2

Connection lead no	Socket 1 pulse sensor	Socket 2 pulse sensor
1 - 4	LFK 1 (standard)	LFK 2
2 - 5	LFI 1	LFI 2
3 - 6	HF1 or AFK	HF2



Pulse sensor pin numbering of the HF3 pulse transmitter's socket installed in the body. The sockets match the TUCHEL plug No C091 31D004 100 2

Connection lead no	HF over turbine wheel
1 - 2	Not used
3 - 4	HF3



Outputs

- ✓ As an option the meters can be provided with maximum 7 pulse transmitters
- ✓ STANDARD
 - 2 off LFK - low frequency reed contact pulse sensor
- ✓ OPTIONS
 - 2 off LFI - low frequency inductive pulse sensor (NAMUR)
 - 2 off HF - inductive pulse sensors in the index head (NAMUR) - HF1, HF2
 - 1 off HF - inductive pulse sensors in the meter body (NAMUR) - HF3
 - AFK - anti-fraud reed contact
- ✓ Electrical outputs - Amphenol TUCHEL
- ✓ Index housing made of aluminium what perfectly protects index head against accidental damages
- ✓ Index housing may be provided with two separate sockets
- ✓ 1 pressure measurement tap
- ✓ 3-way valve - recommended for making connections with EVC's pressure sensor



- ✓ Optional index heads



Index head with encoder (option)



Index head with mechanical output (option)