

Entry System Connection Options – Your Choice

For more information, please visit:

<http://www.doorking.com/connect> and <http://www.doorking.com/imserver> and <http://www.doorking.com/cellular>

4G-LTE Cellular Service (Plug & Play)

- Voice and Programming (wireless via the cellular network)
- DKS Cellular (subscription based service)

Internet (VoIP) Connection (Plug & Play)

- Voice and Programming (wired connection)
- DKS Internet or VoIP subscription service required
- Requires 1830-186 Network Adapter for programming¹
- Requires 1815-530 VoIP adapter for DKS VoIP¹ or use third party VoIP adapter²
- Plug & Play for LAN and WAN connections 2334-080³

1: Subscription service.

2: DoorKing does not guarantee third party VoIP service. Third party VoIP subscription may be required.

3: Combines 1830-186, 1815-530 and Ethernet switch into a single enclosure.

Internet (VoIP) Connection (Manual IP Configuration)

- Voice and Programming (wired connection)
- Manual setup – requires 1830-185 Network adapter
- Manual setup required: determine Default Gateway, set your IP address, setup Port Forwarding, configure Firewall for access, order Static IP address from internet provider or setup DDNS host account
- Compatible with most VoIP providers¹

1: DoorKing does not guarantee third party VoIP service. Third party VoIP subscription may be required.

Land Line Telephone Service³ (POTS line, Cable or Fiber¹)

- Voice and Programming (wired connection)
- Programming options:
 - IM Server Modem (subscription based service)
 - Modem to Modem²

1: Not applicable if Cable or Fiber is a cloud based telephone service.

2: Not compatible with all modems. Requires phone line and modem at programming PC.

3: DoorKing does not recommend using POTS (Plain Old Telephone Service) as a connection option and does not guarantee modem connections as many phone company services and switches no longer support modem communications.

TTY Connection Options

- Allows hearing impaired persons to connect their TTY device to the telephone entry system.
- P/N 1830-310 is factory installed at time of order.
- P/N 1830-315 is an add-on device that can be added to the telephone entry system at any time.

Table of Contents

Telephone Entry & Access Control

Model 1802	4
Model 1803	6
Model 1808	8
Model 1810	10
Model 1812	12
Model 1819	14
Model 1816/1820	16
Model 1833 80 Series	18
Model 1834 90 Series	20
Model 1834 80 Series	22
Model 1835 90 Series	24
Model 1835 80 Series	26
Model 1837 90 Series	28
Model 1837 80 Series	30
Model 1838	32
Model 1838 Access Plus	34

Accessories

Connection Options	36
Elevator Control	37
Tracker Expansion Boards	38
Wireless Kits for Tracker Expansion Boards	39
Telephone Entry Systems Mounting Kits	40
Light Kits	41
Add-on Directories	42
Utility Enclosures	43
Accessories	44
Replacement Components	45

1802 Telephone Entry System

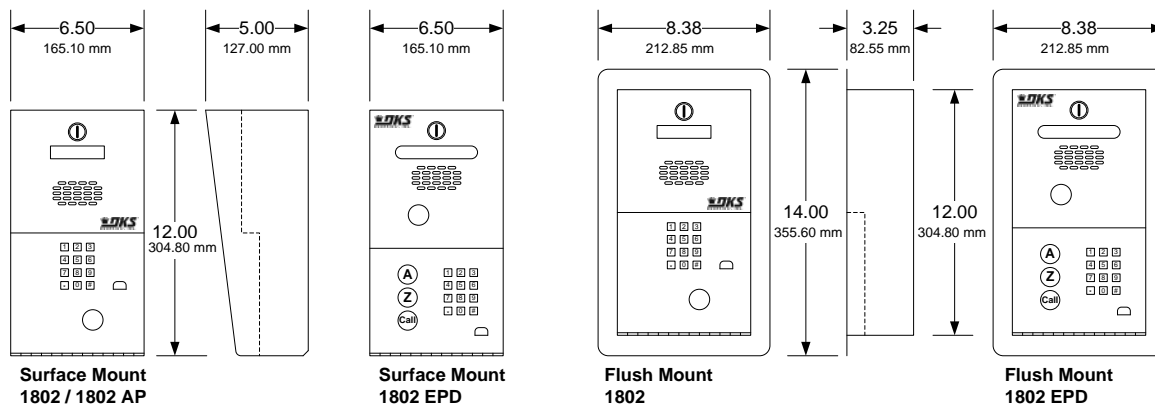
Residential, Commercial

1802 / 1802 EPD

- Hands free full duplex voice communication
- Programmable Directory Codes (1-4 digits)
- 16-digit dialing
- Includes 16 VAC power transformer
- Backlit keypad and A-Z-CALL buttons (EPD only)

1802 AP (Access Plus) ONLY

- Control up to 8 entry points
- IP Addressable
- PC Programmable
- 2-Digit directory codes
- 20-digit dialing
- Includes 16 VAC power transformer



Model	Phone Numbers	Directory ⁶ Names	Entry Codes ¹	Device Codes ²	Relays	Auxiliary Inputs ³	Expansion ⁴	PC Programmable ⁵	Temporary Codes	Holiday Schedules
1802	600	N/A	1000	0	2	1	No	No	5	No
1802EPD	100	100	100	0	2	1	No	No	5	No
1802AP ⁷	27	N/A	0	100	2	2	6 Max	Yes	10	Yes

1. Entry codes are four (4) digits only and are not the same as device codes. Entry codes grant access when entered on the entry system keypad (or secondary keypad) only.
2. Device codes refer to any five (5) digit RS-485 device used to access an entry point, such as cards, transmitters or PINs (Personal Identification Number). Five (5) digit device codes can also be used on the system keypad.
3. 1802 and 1802EPD, auxiliary input allows a switch closure to activate relay 2, or can be set to auto-dial a preprogrammed telephone number. 1802 AP uses a standard RS-485 data input.
4. Six (6) additional entry points can be controlled via RS-485 card readers, AVID tag readers, RF receivers or digital keypads.
5. AP Programming software available for free download at doorking.com.
6. Single line 16 character 5/16 LCD display.
7. Access Plus model does not have any programming display or electronic directory.

1802 Telephone Entry System

Residential, Commercial

1802 Telephone Entry Systems

1802-082 Surface Mount	1292.00
1802-089 Flush Mount.....	1620.00
1802-090 Surface Mount EPD	1582.00
1802-091 Flush Mount EPD.....	1908.00
1802-092 Surface Mount AP (Access Plus).....	2022.00

Service Connection Options

1800-081 Cellular Voice + Data ^{1,2}	686.00
1801-080 Cellular Voice Only ^{1,3}	456.00

1 - Cellular service plan required (provided by DoorKing).
 2 - Use with 1802 AP model.
 3 - Use with 1802 and 1802 EPD models.

1802 Lobby Panels

1802-083 Surface Mount	962.00
1802-094 Flush Mount.....	1288.00

Lobby panels can only be used with the 1816 or 1820 telephone intercom system. They cannot be connected directly to telephone service.

Accessories

1701-080 20-Name Directory.....	164.00
1702-080 60-Name Directory.....	240.00
1710-080 200-Name Directory Surface Mount	508.00
1710-081 200-Name Directory Flush Mount.....	508.00
1506-081 Secondary Keypad surface mount.....	466.00
1506-091 Secondary Keypad flush mount	604.00
1804-193 External Speaker	212.00
1801-008 Backup Battery 12-Volt .8 Ah	96.10
2600-588 Heater Kit (1802, 1802 AP)	284.00
2600-582 LCD Heater (1802 EPD).....	56.62
1812-145 CCTV Color Camera	1074.00
1807-012 Handset Kit (surface mount only)	444.00
1802-111 Post Mount Adapter Plate ¹	174.00

1. Required if mounting 1802 to gooseneck post.

1830-310 TTY Add-on Factory Installed	328.00
1830-315 TTY Add-on Kit	366.00

1802 AP (ACCESS PLUS ONLY) Expansion Options

2354-010 Conversion Board	190.00
1815-235 Conversion Board w/Enclosure	332.00

Converts 26-bit Wiegand to RS-485. Requires 12-16 VDC power.

1812-018 12-VDC, 1A Transformer	51.62
1200-080 Transformer Box.....	246.00
1816-083 Intercom Phone Expansion.....	1202.00

The 1816-083 expands the "No Phone Line" telephone intercom interface on Access Plus systems from a single phone line up to 11 phone lines. The system can be further expanded to interface with up to a maximum of 23 phone lines.

RS-485 Card Readers (ACCESS PLUS ONLY)

1815-332 DK Prox Reader	454.00
1815-232 ID Tech Reader	530.00
1815-233 AWID Reader.....	542.00
1815-234 HID Reader	962.00

RS-485 Keypads (ACCESS PLUS ONLY)

1513-081 Surface Mount.....	570.00
1513-082 Flush Mount	708.00

RS-485 RF Controls (ACCESS PLUS ONLY)

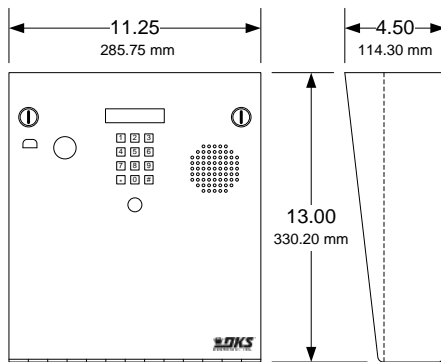
8053-080 MicroPlus Receiver	228.00
-----------------------------------	--------

1803 Telephone Entry System

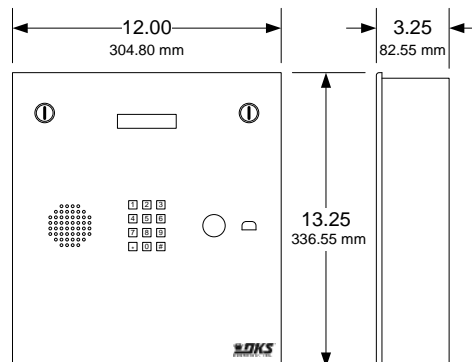
Residential, Commercial

1803

- Hands free full duplex voice communication
- Programmable Directory Codes (1-4 digits)
- 16-digit dialing
- Includes 16 VAC power transformer
- Stainless steel faceplate
- Galvanized steel sub-plate
- Metal keypads and buttons
- Postal lock provision



Surface Mount



Flush Mount

Model	Phone Numbers	Directory Names	Entry Codes ¹	Device Codes ²	Relays	Auxiliary Inputs ³	Expansion ⁴	PC Programmable ⁵	Temporary Codes	Holiday Schedules
1803	600	N/A	1000	0	2	1	No	No	5	No

1. Entry codes are four (4) digits only and are not the same as device codes. Entry codes grant access when entered on the entry system keypad (or secondary keypad) only.
2. Device codes are not used with the 1803.
3. 1803 auxiliary input allows a switch closure to activate relay 2, or can be set to auto-dial a preprogrammed telephone number.

1803 Telephone Entry System

Residential, Commercial

1803 Telephone Entry Systems

1803-080 Surface Mount	1694.00
1803-084 Flush Mount.....	1694.00

1803 Lobby Panels

1803-090 Surface Mount	1126.00
1803-092 Flush Mount.....	1126.00

Lobby panels can only be used with the 1816 or 1820 telephone intercom system. They cannot be connected directly to telephone service.

Service Connection Options

1801-080 Cellular Voice Only ¹	456.00
---	--------

1 - Cellular service plan required (provided by DoorKing)

Mounting Accessories

1803-150 Surface Mount Trim Ring Black	248.00
1814-165 Flush Mount Kit Stainless Steel	416.00

Accessories

1701-080 20-Name Directory.....	164.00
1702-080 60-Name Directory.....	240.00
1710-080 200-Name Directory Surface Mount	508.00
1710-081 200-Name Directory Flush Mount.....	508.00

1506-081 Secondary Keypad surface mount.....	466.00
1506-091 Secondary Keypad flush mount.....	604.00
1720-080 LED Light Kit	466.00
1804-193 External Speaker	212.00
1801-008 Backup Battery 12-Volt .8 Ah	96.10
2600-584 Heater Kit	178.00
1812-145 CCTV Color Camera	1074.00
1807-012 Handset Kit (surface mount only)	444.00

1830-310 TTY Add-on Factory Installed.....	328.00
1830-315 TTY Add-on Kit.....	366.00

1808 Telephone Entry System

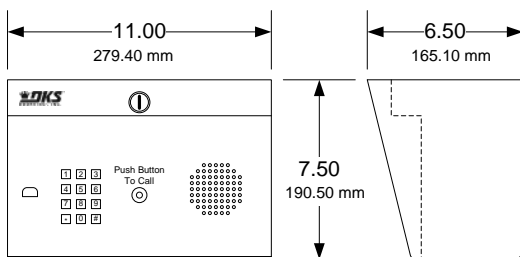
Residential, Commercial

1808

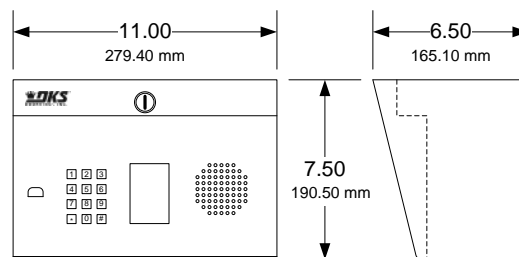
- Hands free full duplex voice communication
- Programmable Directory Codes (1-4 digits)
- 16-digit dialing
- Includes 16 VAC power transformer

1808 AP (Access Plus) ONLY

- Control up to 8 entry points
- IP Addressable
- PC Programmable
- 2-Digit directory codes
- 20-digit dialing
- Includes 16 VAC power transformer



**Surface Mount
1808**



**Surface Mount w/Directory
1808 / 1808 AP**

Model	Phone Numbers	Directory ⁶ Names	Entry Codes ¹	Device Codes ²	Relays	Auxiliary Inputs ³	Expansion ⁴	PC Programmable ⁵	Temporary Codes	Holiday Schedules
1808	600	N/A	1000	0	2	1	No	No	5	No
1808AP ⁷	27	N/A	0	100	2	2	6 Max	Yes	10	Yes

1. Entry codes are four (4) digits only and are not the same as device codes. Entry codes grant access when entered on the entry system keypad (or secondary keypad) only.
2. Device codes refer to any five (5) digit RS-485 device used to access an entry point, such as cards, transmitters or PINs (Personal Identification Number). Five (5) digit device codes can also be used on the system keypad.
3. 1808 auxiliary input allows a switch closure to activate relay 2, or can be set to auto-dial a preprogrammed telephone number. 1808 AP uses a standard RS-485 data input.
4. Six (6) additional entry points can be controlled via RS-485 card readers, AVID tag readers, RF receivers or digital keypads.
5. AP Programming software available for free download at doorking.com.
6. Paper directory.
7. Directory can be printed from Access Plus programming software.

1808 Telephone Entry System

Residential, Commercial

1808 Telephone Entry Systems

1808-082 Surface Mount w/Directory	1694.00
1808-084 Surface Mount	1582.00
1808-085 Surface Mount AP (Access Plus).....	2022.00

1808 Lobby Panels

1808-081 Surface Mount	1100.00
1808-083 Surface Mount w/Directory	1202.00

Lobby panels can only be used with the 1816 or 1820 telephone intercom system. They cannot be connected directly to telephone service.

Service Connection Options

1800-081 Cellular Voice + Data ^{1,2}	690.00
1801-080 Cellular Voice Only ^{1,3}	460.00

- 1 - Cellular service plan required (provided by DoorKing).
- 2 - Use with 1808 AP model.
- 3 - Use with 1808 model.

Accessories

1701-080 20-Name Directory.....	164.00
1702-080 60-Name Directory.....	240.00
1710-080 200-Name Directory Surface Mount	508.00
1710-081 200-Name Directory Flush Mount.....	508.00
1506-081 Secondary Keypad surface mount.....	466.00
1506-091 Secondary Keypad flush mount	604.00
1804-193 External Speaker	212.00
1801-008 Backup Battery 12-Volt .8 Ah	96.10
1812-145 CCTV Color Camera	1074.00
1830-310 TTY Add-on Factory Installed	328.00
1830-315 TTY Add-on Kit	366.00

1808 AP (ACCESS PLUS ONLY) Expansion Options

2354-010 Conversion Board	190.00
1815-235 Conversion Board w/Enclosure	332.00

Converts 26-bit Wiegand to RS-485. Requires 12-16 VDC power.

1812-018 12-VDC, 1A Transformer	51.62
1200-080 Transformer Box.....	246.00

1816-083 Intercom Phone Expansion.....	1202.00
--	---------

The 1816-083 expands the "No Phone Line" telephone intercom interface on Access Plus systems from a single phone line up to 11 phone lines. The system can be further expanded to interface with up to a maximum of 23 phone lines.

RS-485 Card Readers (ACCESS PLUS ONLY)

1815-332 DK Prox Reader	454.00
1815-232 ID Tech Reader	530.00
1815-233 AWID Reader.....	542.00
1815-234 HID Reader	962.00

RS-485 Keypads (ACCESS PLUS ONLY)

1513-081 Surface Mount.....	570.00
1513-082 Flush Mount	708.00

RS-485 RF Controls (ACCESS PLUS ONLY)

8053-080 MicroPlus Receiver	228.00
-----------------------------------	--------

1810 Telephone Entry System

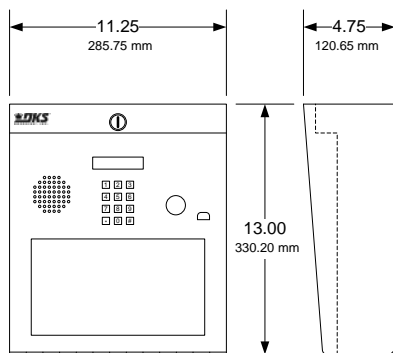
Residential, Commercial

1810

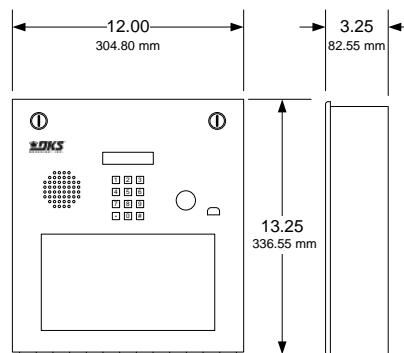
- Hands free full duplex voice communication
- Programmable Directory Codes (1-4 digits)
- 16-digit dialing
- Includes 16 VAC power transformer

1810 AP (Access Plus) ONLY

- Control up to 8 entry points
- IP Addressable
- PC Programmable
- 2-Digit directory codes
- 20-digit dialing
- Includes 16 VAC power transformer



Surface Mount
1810 / 1810 AP



Flush Mount
1810 / 1810 AP

Model	Phone Numbers	Directory ⁶ Names	Entry Codes ¹	Device Codes ²	Relays	Auxiliary Inputs ³	Expansion ⁴	PC Programmable ⁵	Temporary Codes	Holiday Schedules
1810	600	N/A	1000	0	2	1	No	No	5	No
1810AP ⁷	27	N/A	0	100	2	2	6 Max	Yes	10	Yes

1. Entry codes are four (4) digits only and are not the same as device codes. Entry codes grant access when entered on the entry system keypad (or secondary keypad) only.
2. Device codes refer to any five (5) digit RS-485 device used to access an entry point, such as cards, transmitters or PINs (Personal Identification Number). Five (5) digit device codes can also be used on the system keypad.
3. 1810 auxiliary input allows a switch closure to activate relay 2, or can be set to auto-dial a preprogrammed telephone number. 1810 AP uses a standard RS-485 data input.
4. Six (6) additional entry points can be controlled via RS-485 card readers, AVID tag readers, RF receivers or digital keypads.
5. AP Programming software available for free download at doorking.com.
6. Paper directory.
7. Access Plus model does not have any programming display. Directory can be printed from Access Plus programming software.

1810 Telephone Entry System

Residential, Commercial

1810 Telephone Entry Systems

1810-080 Surface Mount	1644.00
1810-084 Flush Mount.....	1644.00
1810-095 Surface Mount AP (Access Plus).....	2152.00
1810-096 Flush Mount AP (Access Plus)	2152.00

1810 Lobby Panels

1810-088 Surface Mount	1276.00
1810-090 Flush Mount.....	1276.00

Lobby panels can only be used with the 1816 or 1820 telephone intercom system. They cannot be connected directly to telephone service.

Service Connection Options

1800-081 Cellular Voice + Data ^{1,2}	686.00
1801-080 Cellular Voice Only ^{1,3}	456.00

1 - Cellular service plan required (provided by DoorKing).
 2 - Use with 1810 AP model.
 3 - Use with 1810 model.

Accessories

1803-150 Surface Mount Trim Ring Black	248.00
1814-165 Flush Mount Kit Stainless Steel	416.00
1814-152 Surface Mount Ring for Flush Units	248.00
1701-080 20-Name Directory.....	164.00
1702-080 60-Name Directory.....	240.00
1710-080 200-Name Directory Surface Mount	508.00
1710-081 200-Name Directory Flush Mount.....	508.00
1506-081 Secondary Keypad surface mount.....	466.00
1506-091 Secondary Keypad flush mount	604.00
1720-080 LED Light Kit	466.00
1804-193 External Speaker	212.00
1801-008 Backup Battery 12-Volt .8 Ah	96.10
2600-584 Heater Kit.....	178.00
1812-145 CCTV Color Camera	1074.00
1807-012 Handset Kit (surface mount only).....	444.00
1830-310 TTY Add-on Factory Installed	328.00
1830-315 TTY Add-on Kit	366.00

1810 AP (ACCESS PLUS ONLY) Expansion Options

2354-010 Conversion Board	190.00
1815-235 Conversion Board w/Enclosure	332.00

Converts 26-bit Wiegand to RS-485. Requires 12-16 VDC power.

1812-018 12-VDC, 1A Transformer	51.62
1200-080 Transformer Box.....	246.00

1816-083 Intercom Phone Expansion..... 1202.00
The 1816-083 expands the "No Phone Line" telephone intercom interface on Access Plus systems from a single phone line up to 11 phone lines. The system can be further expanded to interface with up to a maximum of 23 phone lines.

RS-485 Card Readers (ACCESS PLUS ONLY)

1815-332 DK Prox Reader	454.00
1815-232 ID Tech Reader	530.00
1815-233 AWID Reader.....	542.00
1815-234 HID Reader	962.00

RS-485 Keypads (ACCESS PLUS ONLY)

1513-081 Surface Mount.....	570.00
1513-082 Flush Mount	708.00

RS-485 RF Controls (ACCESS PLUS ONLY)

8053-080 MicroPlus Receiver.....	228.00
----------------------------------	--------

1812 Telephone Entry Systems

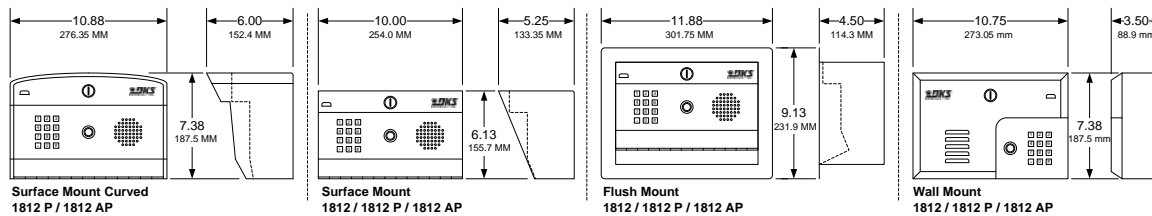
Residential

1812 (Classic)

- 2-Digit directory codes
- 11-digit dialing
- Includes 24 VAC transformer
- Call Forward Time Zones
- Do Not Disturb
- Analog Voice Circuit

1812 P and 1812 AP

- 2-Digit directory codes
- 20-digit dialing
- Includes 16 VAC transformer
- Call Forward Time Zones
- Do Not Disturb Feature
- HD Digital Voice Circuit



Model	Phone Numbers	Directory Names	Entry Codes ¹	Device Codes ²	Relays	Auxiliary Inputs ³	Expansion ⁴	PC Programmable ⁵	Temporary Codes	Holiday Schedules
1812	3	N/A	50	0	2	0	No	No	5	No
1812P	27	N/A	0	50	2	0	No	No	10	No
1812AP	27	N/A	0	100	2	2	6	Yes	10	Yes

1. Entry codes are four (4) digits on the 1812. Entry codes grant access when entered on the entry system keypad (or secondary keypad) only.
2. Device codes refer to any five (5) digit RS-485 device used to access an entry point, such as cards, transmitters or PINs (Personal Identification Number). Five (5) digit device codes can also be used as entry codes and are used on the system keypad.
3. 1812 AP uses a standard RS-485 data input.
4. Six (6) additional entry points can be controlled via RS-485 card readers, AVID tag readers, RF receivers or digital keypads.
5. Access Plus Programming software available for free download at doorking.com.

1812 Telephone Entry Systems

Residential

1812 Classic Systems

1812-080 Kit (1812-081 + 1801-080 Cellular)	1990.00
1812-081 Surface Mount	1598.00
1812-097 Surface Mount w/Camera.....	2536.00
1812-087 Flush Mount.....	1808.00
1812-088 Wall Mount.....	1808.00

1812 Plus Systems

1812-095 Surface Mount Curved	1930.00
1812-089 Surface Mount	1710.00
1812-098 Surface Mount w/Camera.....	2646.00
1812-091 Flush Mount.....	1920.00
1812-093 Wall Mount	1920.00

Service Connection Options

1800-081 Cellular Voice + Data ^{1,2}	690.00
1801-080 Cellular Voice Only ^{1,3}	460.00
<i>1 - Cellular service plan required (provided by DoorKing).</i>	
<i>2 - Use with 1812 AP model.</i>	
<i>3 - Use with 1812 Classic and Plus models.</i>	

Accessories

1812-105 Stainless Steel Surface Mount Housing ¹	280.00
1506-081 Secondary Keypad surface mount.....	466.00
1506-091 Secondary Keypad flush mount	604.00
2600-588 Heater Kit (for surface mount units)	284.00
2600-582 Heater Kit (for flush mount units)	56.62
1830-310 TTY Add-on Factory Installed	328.00
1830-315 TTY Add-on Kit	366.00
1812-145 CCTV Color Camera (use w/ 088, 093, 094)	1074.00
1812-147 CCTV Color Camera	1074.00
1812-074 Conversion Kit ²	1864.00
<i>1 - Replaces the black steel housing.</i>	
<i>2 - Upgrades older 1812 units to an 1812 Access Plus unit.</i>	

1812 Access Plus Systems

1812-096 Surface Mount Curved	2040.00
1812-090 Surface Mount.....	1818.00
1812-099 Surface Mount w/Camera.....	2758.00
1812-092 Flush Mount	2028.00
1812-094 Wall Mount	2028.00

1812 Access Plus Expansion Options

2354-010 Conversion Board	190.00
1815-235 Conversion Board w/Enclosure	332.00
<i>Converts 26-bit Wiegand to RS-485. Requires 12-16 VDC power.</i>	
1812-018 12-VDC, 1A Transformer	51.62
1200-080 Transformer Box.....	246.00

1816-083 Intercom Phone Expansion.....	1202.00
<i>The 1816-083 expands the "No Phone Line" telephone intercom interface on Access Plus systems from a single phone line up to 11 phone lines. The system can be further expanded to interface with up to a maximum of 23 phone lines.</i>	

RS-485 Card Readers (ACCESS PLUS ONLY)

1815-332 DK Prox Reader	454.00
1815-232 ID Tech Reader	530.00
1815-233 AWID Reader.....	542.00
1815-234 HID Reader	962.00

RS-485 Keypads (ACCESS PLUS ONLY)

1513-081 Surface Mount.....	570.00
1513-082 Flush Mount	708.00

RS-485 RF Controls (ACCESS PLUS ONLY)

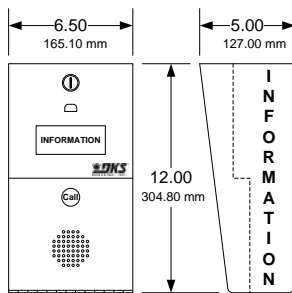
8053-080 MicroPlus Receiver.....	228.00
----------------------------------	--------

1819 Information Telephone System

Commercial

1819

- Full duplex voice communication
- Stores a single phone number
- 10 and 11 digit dialing
- Call button



Surface Mount

Model	Phone Numbers	Directory	Entry Codes	Device Codes	Relays	Auxiliary Inputs	Expansion ⁴	PC Programmable	Elevator Control	Transaction Buffer
1819	1	N/A	0	0	1	0	0	No	No	No

1. The 1819 is designed as an information phone only. Pressing the CALL button causes the system to dial to a preprogrammed telephone number.

1819 Information Telephone System

Commercial

1819 Telephone Entry System

1819-080 Surface Mount 1494.00

Service Connection Options

1801-080 Cellular Voice¹ 456.00

1 – DKS Cellular subscription required.

Accessories

1801-008 Backup Battery 12-Volt .8 Ah 96.10

2600-588 Heater Kit 284.00

1812-145 CCTV Color Camera 1074.00

1802-111 Post Mount Adapter Plate¹ 174.00

1 - Required if mounting the unit to a goose neck post.

1816 / 1820 Telephone Intercom Systems

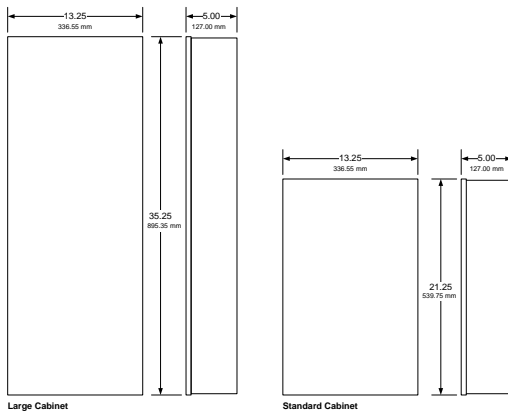
Commercial

1816

- Full duplex voice communication
- Interfaces with up to 1200 phone lines
- Tennant C.O. phone service not required
- Programmable directory codes
- Lobby panel / Doorman caller ID
- Built-in call waiting
- Do Not Disturb feature

1820

- Full duplex voice communication
- Interfaces with up to 1200 phone lines
- Tennant C.O. phone service not required
- Programmable directory codes
- Resident Call Down feature
- Resident programmable Call Forward feature
- Resident programmable Do-Not-Disturb Feature



Model	Phone Numbers	Directory Names	Entry Codes ¹	Caller ID	Relays	Doorman Phone	Resident Call-Down ²	Resident Features ³	Call Out Numbers	Directory Codes
1816	1200	N/A	1200	Yes	1	Yes	No	No	10	Programmable
1820	1200	N/A	1200	Yes	1	Yes	Yes	Yes	10	Programmable

1. Entry codes are four (4) digits. Entry codes grant access when entered on the entry system keypad (or secondary keypad) only.
2. The resident call-down feature allows the resident to contact the doorman directly from their telephone.
3. Resident programmable features include: Call Waiting; Do-Not-Disturb; Call Forwarding.

1816 / 1820 Telephone Intercom Systems

Commercial

1816 Systems

Step 1: Main Control Cabinet

1816-080 Houses 13 Relay Boards (156 lines).....	2326.00
1816-082 Houses 5 Relay Boards (60 lines)	2052.00

Main control cabinets do not include relay boards.

Step 2: Relay Boards

1982-010	
1 – 13 Boards	748.00
14 – 29 Boards	708.00
30 + Boards	668.00

One (1) relay board is required for every 12 phone lines to be interfaced.

Step 3: Decoder Board (if required)

1881-010 Decoder Board	342.00
------------------------------	--------

Decoder board(s) are required if the system expands beyond five (5) relay boards. One (1) decoder board is required for every eight (8) relay boards beyond the first five (5) relay boards.

Step 4: Auxiliary Cabinet (if required)

1816-081 Auxiliary Cabinet	684.00
----------------------------------	--------

Holds up to 16 relay boards and two (2) decoder boards.

Step 5: Phone Blocks and Cables

2370-010 RJ71C Phone Block	300.00
1882-042 Connecting Cable	152.00
1882-044 Connecting Cable Special Length	5.46 / ft.

One (1) RJ71C is required for each relay board in the system.

One (1) connecting cable is required for each relay board in the system.

Add cost per foot to 1882-042.

Step 6: Lobby Panels

Select lobby panels from the 1802, 1803, 1808, 1810 series pages.

1820 Systems

Step 1: Main Control Cabinet

1820-080 Houses 9 Relay Boards (108 lines)	2326.00
1820-082 Houses 4 Relay Boards (48 lines)	2052.00

Main control cabinets do not include relay boards.

Step 2: Line Interface Boards

1884-010	1620.00
----------------	---------

One (1) relay board is required for every 12 phone lines to be interfaced.

Step 3: Power Supply Boards (if required)

1886-010	274.00
----------------	--------

Only required if more than 21 line interface boards are used; then one (1) required for every 21 line interface boards in the system thereafter.

1508-060	60.70
----------------	-------

One (1) required for each 1886-010 power supply board.

Step 4: Auxiliary Cabinet (if required)

1820-081 Large Auxiliary Cabinet	684.00
--	--------

Holds up to 12 line interface boards and one (1) power supply board.

1820-083	416.00
----------------	--------

Holds up to eight (8) line interface boards or seven (7) line interface boards and one (1) power supply board.

Step 5: Phone Blocks and Cables

2370-010 RJ71C Phone Block	300.00
1882-042 Connecting Cable	152.00
1882-044 Connecting Cable Special Length	5.46 / ft.

One (1) RJ71C is required for each relay board in the system.

One (1) connecting cable is required for each relay board in the system.

Add cost per foot to 1882-042.

Step 6: Lobby Panels

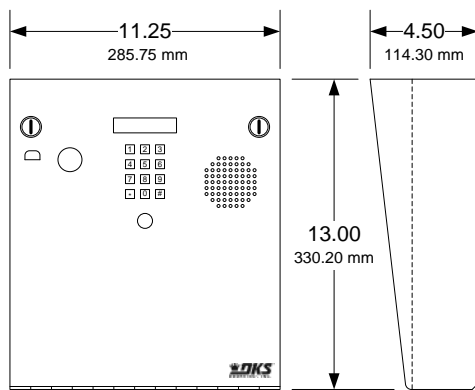
Select lobby panels from the 1802, 1803, 1808, 1810 series pages.

1833 Telephone Entry System – 80 Series

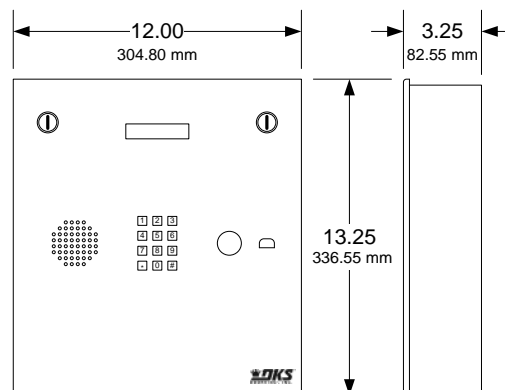
Residential, Commercial

1833

- Full duplex voice communication
- Stores up to 3000 phone numbers
- 255 area codes
- Programmable directory codes
- 10 and 11 digit dialing
- Built-in clock/calendar
- Three (3) built-in relays
- Two (2) 26-bit wiegand inputs
- Expandable to control up to 24 entrances
- 31 security (permission) levels
- 32 holiday schedules
- True anti-pass back features



Surface Mount



Flush Mount

Model	Phone Numbers	Directory	Entry Codes ¹	Device Codes ²	Relays	Auxiliary Inputs ³	Expansion ⁴	PC Programmable ⁵	Elevator Control	Transaction Buffer
1833	3000	N/A	3000	8000	3	2	48 Max	Yes	Yes	8000

1. Entry codes are four (4) digits only and are not the same as device codes. Entry codes grant access when entered on the entry system keypad (or secondary keypad) only.
2. Device codes refer to any five (5) digit 26-bit wiegand device used to access an entry point, such as cards, transmitters or PINs (Personal Identification Number). Five (5) digit device codes can also be used on the system keypad.
3. 1833 has two 26-bit wiegand inputs.
4. Up to 48 additional entry points can be controlled via card readers, AVID tag readers, RF receivers or digital keypads using wired tracker expansion boards. This is reduced to 24 if using wireless expansion.
5. Programming and transaction analysis software available for free download at doorking.com.

1833 Telephone Entry Systems – 80 Series

Residential, Commercial

1833 Telephone Entry System

1833-080 Surface Mount	3576.00
1833-084 Flush Mount	3576.00

Service Connection Options

1800-080 Cellular Voice + Data ¹	686.00
2334-080 VoIP - TCP/IP Control Box ^{3,5}	548.00
1815-568 VoIP Adapter ^{2,4}	134.00
1830-186 Plug & Play ^{3,4} (Plug & Play)	240.00
1830-185 Network Adapter (Manual Setup)	240.00

1 – DKS Cellular subscription required.

2 – DKS VoIP subscription required.

3 – DKS VoIP or Data over IP subscription required.

4 – 1815-568 is required for voice, 1830-186 or 1830-185 is required for data

5 – Combines the 1815-568 and 1830-186 into a common housing with built-in ethernet switch.

Programming Only Connection Options

1508-055 RS232 to RS422 Conversion Kit	1328.00
1815-037 USB to RS232 Adapter	190.00
1818-040 RS232 Connecting Cable 6-ft (1.8m)	50.56

Accessories

1803-150 Surface Mount Trim Ring Black	248.00
1814-165 Flush Mount Kit Stainless Steel	416.00
1814-152 Surface Mount Ring for Flush Units	248.00
1701-080 20-Name Directory	164.00
1702-080 60-Name Directory	240.00
1710-080 Large Directory Surface Mount	508.00
1710-081 Large Directory Flush Mount	508.00
1506-081 Secondary Keypad surface mount	466.00
1506-091 Secondary Keypad flush mount	604.00
1720-080 LED Light Kit	466.00
1804-193 External Speaker	212.00
1801-008 Backup Battery 12-Volt .8 Ah	96.10
2600-584 Heater Kit	178.00
1812-145 Camera	1074.00
1807-012 Handset Kit (surface mount only)	444.00
1830-310 TTY Add-on Factory Installed	328.00
1830-315 TTY Add-on kit	366.00

Expansion Options

2358-010 Tracker Expansion Board	542.00
2351-080 Sgl Box ¹ (1 board max)	732.00
2351-084 Sgl Box ¹ + 1489-080 2.4 GHz RF Module	1200.00
2351-085 Sgl Box ¹ + 1470-080 900 MHz RF Module ..	1068.00
2351-082 QUAD Box ¹ Pre-wired (4 boards max)	1266.00

1 – Includes one (1) 2358-010 board and 16V, 40 VA transformer.

Expansion Option Wireless Kits

2361-080 Base Board Kit ¹ 2.4 GHz	604.00
2333-080 Base Board Kit ¹ 900 MHz	652.00
1489-080 Expansion Board Kit ² 2.4 GHz	320.00
1470-080 Expansion Board Kit ² 900 MHz	386.00
2364-080 Single channel repeater 2.4 GHz	322.00
2372-080 Dual channel repeater 2.4 GHz	462.00
2332-080 Dual channel repeater 900 MHz	606.00

1 - One (1) base board kit is installed in the 1833 controller.

2 – Expansion board kit(s) are installed on each 2358 tracker board.

1514-075 2.4 GHz antenna extension kit	63.18
1514-079 900 MHz antenna extension kit	63.18
8064-046 Coax cable extension 13-ft (3.9m)	54.98
1514-004 Disk antenna 2.4 GHz	37.92
1514-003 Six inch (152mm) antenna 2.4 GHz	57.34
1514-028 Disk antenna 900 MHz	35.28
1514-019 Six inch (152mm) antenna 900 MHz	35.28
1514-130 Wireless range test kit 2.4 GHz	880.00
1514-140 Wireless range test kit 900 MHz	790.00

Elevator Control

2348-040 ¹ Elevator control board + hardware	2326.00
2348-080 ² Lockable enclosure	3012.00
2348-081 ³ Lockable enclosure large	3286.00

1 – Includes board and mounting hardware.

2 – Includes one (1) 2348-010 board. Room for two (2) boards' total.

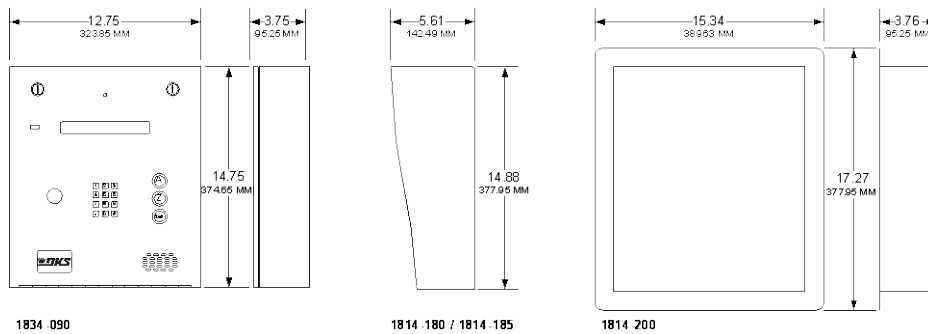
3 – Includes one (1) 2340-010 board. Room for four (4) boards' total.

1834 Telephone Entry System – 90 Series

Residential, Commercial

1834

- Larger cabinet, one design
- Dual locks, double weather seal
- Space for card reader, IP camera, TCP-IP adapter
- Optional 10 ga. hood, stainless steel or black
- Stainless steel flush kit
- Full duplex voice communication
- 255 area codes
- Programmable directory codes
- 10 and 11 digit dialing
- Eight (8) hold open time zones



Model ¹	Phone Numbers	Directory	Entry Codes ²	Device Codes ³	Relays	Auxiliary Inputs ⁴	Expansion	PC Programmable ⁵	Elevator Control	Transaction Buffer
1834	3000	1-Line Electronic	3000	0	2	0	No	Yes	No	8000

1. Card reader mounting will accommodate the following card readers only: 1815-302 (DK Prox), 1815-380 (HID), 1815-215 (ID-Teck). Note that the 1834 does not have inputs for the card reader. Any card reader installed in the 1834 will have to be connected to another access controller. See 1835 if a built-in card reader is desired.
2. Entry codes are four (4) digits only and are not the same as device codes. Entry codes grant access when entered on the entry system keypad (or secondary keypad) only.
3. Device codes refer to any five (5) digit 26-bit wiegand device used to access an entry point, such as cards, transmitters or PINs (Personal Identification Number). Five (5) digit device codes can also be used on the system keypad.
4. 1834 does not have any 26-bit wiegand inputs.
5. Programming and transaction analysis software available for free download at doorking.com.

1834 Telephone Entry Systems – 90 Series

Residential, Commercial

1834 Telephone Entry System

1834-090 3274.00

Service Connection Options

1800-080 Cellular Voice + Data¹ 686.00

2334-080 VoIP - TCP/IP Control Box^{3,5} 548.00

1815-568 VoIP Adapter^{2,4} 134.00

1830-186 Plug & Play^{3,4} (Plug & Play) 240.00

1830-185 Network Adapter (Manual Setup) 240.00

1 – DKS Cellular subscription required.

2 – DKS VoIP subscription required.

3 – DKS VoIP or Data over IP subscription required.

4 – 1815-568 is required for voice, 1830-186 or 1830-185 is required for data

5 – Combines the 1815-568 and 1830-186 into a common housing with built-in ethernet switch.

Programming Only Connection Options

1508-055 RS232 to RS422 Conversion Kit 1328.00

1815-037 USB to RS232 Adapter 190.00

1818-040 RS232 Connecting Cable 6-ft (1.8m) 50.56

Accessories

1814-180 Stainless Steel Hood (10 ga) 452.00

1814-185 Black Hood (10 ga) 224.00

1814-200 Flush Kit (Rough-in box + trim ring) 636.00

1506-081 Secondary Keypad surface mount 466.00

1506-091 Secondary Keypad flush mount 604.00

1720-080 LED Light Kit 466.00

1804-193 External Speaker 212.00

1801-008 Backup Battery 12-Volt .8 Ah 96.10

2600-584 Heater Kit 178.00

1812-147 Camera 1074.00

1807-012 Handset Kit (surface mount only) 444.00

1830-310 TTY Add-on Factory Installed 328.00

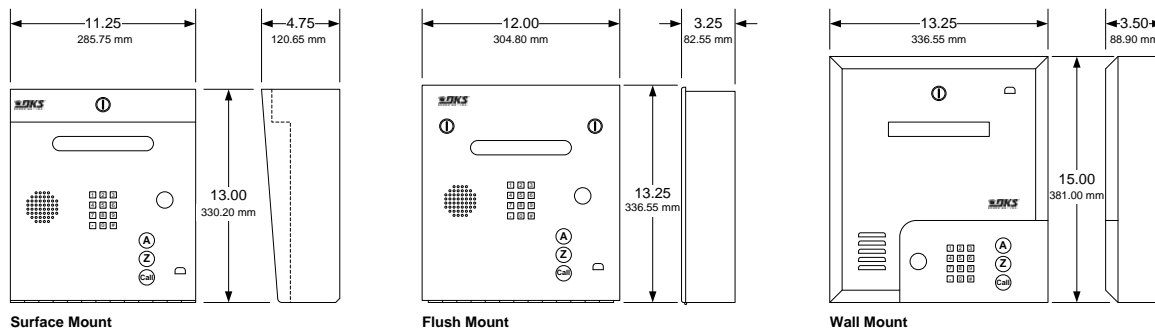
1830-315 TTY Add-on kit 366.00

1834 Telephone Entry System – 80 Series

Residential, Commercial

1834

- Full duplex voice communication
- Stores up to 3000 phone numbers
- 255 area codes
- Programmable directory codes
- 10 and 11 digit dialing
- Two (2) built-in relays
- Eight (8) hold open time zones
- Built-in clock/calendar



Model	Phone Numbers	Directory	Entry Codes ¹	Device Codes ²	Relays	Auxiliary Inputs ³	Expansion	PC Programmable ⁴	Elevator Control	Transaction Buffer
1834	3000	1-Line Electronic	3000	0	2	0	No	Yes	No	8000

1. Entry codes are four (4) digits only and are not the same as device codes. Entry codes grant access when entered on the entry system keypad (or secondary keypad) only.
2. Device codes refer to any five (5) digit 26-bit wiegand device used to access an entry point, such as cards, transmitters or PINs (Personal Identification Number). Five (5) digit device codes can also be used on the system keypad.
3. 1834 does not have any 26-bit wiegand inputs.
4. Programming and transaction analysis software available for free download at doorking.com.

1834 Telephone Entry Systems – 80 Series

Residential, Commercial

1834 Telephone Entry System

1834-080 Surface Mount	2994.00
1834-084 Flush Mount	2994.00
1834-089 Wall Mount	3274.00

Service Connection Options

1800-080 Cellular Voice + Data ¹	686.00
2334-080 VoIP - TCP/IP Control Box ^{3,5}	548.00
1815-568 VoIP Adapter ^{2,4}	134.00
1830-186 Plug & Play ^{3,4} (Plug & Play)	240.00
1830-185 Network Adapter (Manual Setup)	240.00

1 – DKS Cellular subscription required.

2 – DKS VoIP subscription required.

3 – DKS VoIP or Data over IP subscription required.

4 – 1815-568 is required for voice, 1830-186 or 1830-185 is required for data

5 – Combines the 1815-568 and 1830-186 into a common housing with built-in ethernet switch.

Programming Only Connection Options

1508-055 RS232 to RS422 Conversion Kit	1328.00
1815-037 USB to RS232 Adapter	190.00
1818-040 RS232 Connecting Cable 6-ft (1.8m)	50.56

Accessories

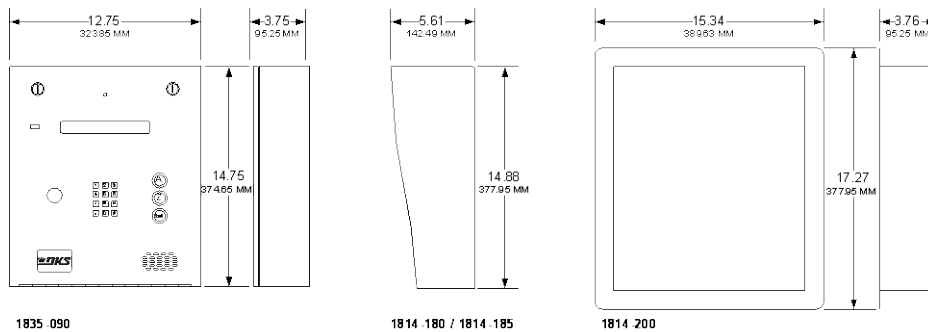
1803-150 Surface Mount Trim Ring Black	248.00
1814-165 Flush Mount Kit Stainless Steel	416.00
1814-152 Surface Mount Ring for Flush Units	248.00
1506-081 Secondary Keypad surface mount	466.00
1506-091 Secondary Keypad flush mount	604.00
1720-080 LED Light Kit	466.00
1804-193 External Speaker	212.00
1801-008 Backup Battery 12-Volt .8 Ah	96.10
2600-584 Heater Kit	178.00
1812-145 Camera (use with flush & wall mount)	1074.00
1812-147 Camera (use with surface mount only)	1074.00
1807-012 Handset Kit (surface mount only)	444.00
1830-310 TTY Add-on Factory Installed	328.00
1830-315 TTY Add-on kit	366.00

1835 Telephone Entry System – 90 Series

Residential, Commercial

1835

- Larger cabinet, one design
- Dual locks, double weather seal
- Space for card reader, IP camera, TCP-IP adapter
- Optional 10 ga. hood, stainless steel or black
- Optional stainless steel flush kit
- 31 security (permission) levels
- 32 holiday schedules
- True anti-pass back features
- 10 and 11 digit dialing
- Eight (8) hold open time zones



Model ¹	Phone Numbers	Directory	Entry Codes ²	Device Codes ³	Relays	Auxiliary Inputs ⁴	Expansion ⁵	PC Programmable ⁶	Elevator Control	Transaction Buffer
1835	3000	1-Line Electronic	3000	8000	3	2	48 Max	Yes	Yes	8000

1. Card reader mounting will accommodate the following card readers only: 1815-302 (DK Prox), 1815-380 (HID), 1815-215 (ID-Teck).
2. Entry codes are four (4) digits only and are not the same as device codes. Entry codes grant access when entered on the entry system keypad (or secondary keypad) only.
3. Device codes refer to any five (5) digit 26-bit wiegand device used to access an entry point, such as cards, transmitters or PINs (Personal Identification Number). Five (5) digit device codes can also be used on the system keypad.
4. 1835 has two 26-bit wiegand inputs.
5. Up to 48 additional entry points can be controlled via card readers, AVID tag readers, RF receivers or digital keypads using wired tracker expansion boards. This is reduced to 24 if using wireless expansion.
6. Programming and transaction analysis software available for free download at doorking.com.

1835 Telephone Entry Systems – 90 Series

Residential, Commercial

1835 Telephone Entry System

1835-090 4656.00

Service Connection Options

1800-080 Cellular Voice + Data¹ 686.00
 2334-080 VoIP - TCP/IP Control Box^{3,5} 548.00
 1815-568 VoIP Adapter^{2,4} 134.00
 1830-186 Plug & Play^{3,4} (Plug & Play) 240.00
 1830-185 Network Adapter (Manual Setup) 240.00

- 1 – DKS Cellular subscription required.
- 2 – DKS VoIP subscription required.
- 3 – DKS VoIP or Data over IP subscription required.
- 4 – 1815-568 is required for voice, 1830-186 or 1830-185 is required for data
- 5 – Combines the 1815-568 and 1830-186 into a common housing with built-in ethernet switch.

Programming Only Connection Options

1508-055 RS232 to RS422 Conversion Kit 1328.00
 1815-037 USB to RS232 Adapter 190.00
 1818-040 RS232 Connecting Cable 6-ft (1.8m) 50.56

Accessories

1814-180 Stainless Steel Hood (10 ga) 452.00
 1814-185 Black Hood (10 ga) 224.00
 1814-200 Flush Kit (Rough-in box + trim ring) 636.00

 1506-081 Secondary Keypad surface mount 466.00
 1506-091 Secondary Keypad flush mount 604.00
 1720-080 LED Light Kit 466.00
 1804-193 External Speaker 212.00
 1801-008 Backup Battery 12-Volt .8 Ah 96.10
 2600-584 Heater Kit 178.00
 1812-147 Camera 1074.00
 1807-012 Handset Kit (surface mount only) 444.00
 1830-310 TTY Add-on Factory Installed 328.00
 1830-315 TTY Add-on kit 366.00

Expansion Options

2358-010 Tracker Expansion Board 542.00
 2351-080 Sgl Box¹ (1 board max) 732.00
 2351-084 Sgl Box¹ + 1489-080 2.4 GHz RF Module 1200.00
 2351-085 Sgl Box¹ + 1470-080 900 MHz RF Module .. 1068.00
 2351-082 QUAD Box¹ Pre-wired (4 boards max) 1266.00
 1 – Includes one (1) 2358-010 board and 16V, 40 VA transformer.

Expansion Option Wireless Kits

2361-080 Base Board Kit¹ 2.4 GHz 604.00
 2333-080 Base Board Kit¹ 900 MHz 652.00
 1489-080 Expansion Board Kit² 2.4 GHz 320.00
 1470-080 Expansion Board Kit² 900 MHz 386.00
 2364-080 Single channel repeater 2.4 GHz 322.00
 2372-080 Dual channel repeater 2.4 GHz 462.00
 2332-080 Dual channel repeater 900 MHz 606.00
 1 - One (1) base board kit is installed in the 1835 controller.
 2 – Expansion board kit(s) are installed on each 2358 tracker board.

1514-075 2.4 GHz antenna extension kit 63.18
 1514-079 900 MHz antenna extension kit 63.18
 8064-046 Coax cable extension 13-ft (3.9m) 54.98
 1514-004 Disk antenna 2.4 GHz 37.92
 1514-003 Six inch (152mm) antenna 2.4 GHz 57.34
 1514-028 Disk antenna 900 MHz 35.28
 1514-019 Six inch (152mm) antenna 900 MHz 35.28
 1514-130 Wireless range test kit 2.4 GHz 880.00
 1514-140 Wireless range test kit 900 MHz 790.00

Elevator Control

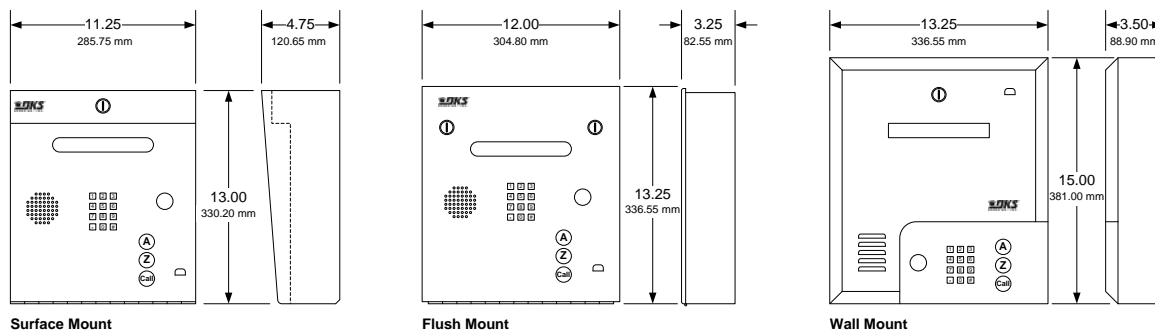
2348-040¹ Elevator control board + hardware 2326.00
 2348-080² Lockable enclosure 3012.00
 2348-081³ Lockable enclosure large 3286.00
 1 – Includes board and mounting hardware.
 2 – Includes one (1) 2348-010 board. Room for two (2) boards' total.
 3 – Includes one (1) 2340-010 board. Room for four (4) boards' total.

1835 Telephone Entry System – 80 Series

Residential, Commercial

1835

- Full duplex voice communication
- Stores up to 3000 phone numbers
- 255 area codes
- Programmable directory codes
- 10 and 11 digit dialing
- Built-in clock/calendar
- Three (3) built-in relays
- Two (2) 26-bit wiegand inputs
- Expandable to control up to 24 entrances
- 31 security (permission) levels
- 32 holiday schedules
- True anti-pass back features



Model	Phone Numbers	Directory	Entry Codes ¹	Device Codes ²	Relays	Auxiliary Inputs ³	Expansion ⁴	PC Programmable ⁵	Elevator Control	Transaction Buffer
1835	3000	1-Line Electronic	3000	8000	3	2	48 Max	Yes	Yes	8000

1. Entry codes are four (4) digits only and are not the same as device codes. Entry codes grant access when entered on the entry system keypad (or secondary keypad) only.
2. Device codes refer to any five (5) digit 26-bit wiegand device used to access an entry point, such as cards, transmitters or PINs (Personal Identification Number). Five (5) digit device codes can also be used on the system keypad.
3. 1835 has two 26-bit wiegand inputs.
4. Up to 48 additional entry points can be controlled via card readers, AVID tag readers, RF receivers or digital keypads using wired tracker expansion boards. This is reduced to 24 if using wireless expansion.
5. Programming and transaction analysis software available for free download at doorking.com.

1835 Telephone Entry Systems – 80 Series

Residential, Commercial

1835 Telephone Entry System

1835-080 Surface Mount	4390.00
1835-084 Flush Mount	4390.00
1835-089 Wall Mount	4656.00

Service Connection Options

1800-080 Cellular Voice + Data ¹	686.00
2334-080 VoIP - TCP/IP Control Box ^{3,5}	548.00
1815-568 VoIP Adapter ^{2,4}	134.00
1830-186 Plug & Play ^{3,4} (Plug & Play)	240.00
1830-185 Network Adapter (Manual Setup)	240.00

1 – DKS Cellular subscription required.

2 – DKS VoIP subscription required.

3 – DKS VoIP or Data over IP subscription required.

4 – 1815-568 is required for voice, 1830-186 or 1830-185 is required for data

5 – Combines the 1815-568 and 1830-186 into a common housing with built-in ethernet switch.

Programming Only Connection Options

1508-055 RS232 to RS422 Conversion Kit	1328.00
1815-037 USB to RS232 Adapter	190.00
1818-040 RS232 Connecting Cable 6-ft (1.8m)	50.56

Accessories

1803-150 Surface Mount Trim Ring Black	248.00
1814-165 Flush Mount Kit Stainless Steel	416.00
1814-152 Surface Mount Ring for Flush Units	248.00

1506-081 Secondary Keypad surface mount	466.00
1506-091 Secondary Keypad flush mount	604.00
1720-080 LED Light Kit	466.00
1804-193 External Speaker	212.00
1801-008 Backup Battery 12-Volt .8 Ah	96.10
2600-584 Heater Kit	178.00
1812-145 Camera (use with flush & wall mount)	1074.00
1812-147 Camera (use with surface mount only)	1074.00
1807-012 Handset Kit (surface mount only)	444.00
1830-310 TTY Add-on Factory Installed	328.00
1830-315 TTY Add-on kit	366.00

Expansion Options

2358-010 Tracker Expansion Board	542.00
2351-080 Sgl Box ¹ (1 board max)	732.00
2351-084 Sgl Box ¹ + 1489-080 2.4 GHz RF Module	1200.00
2351-085 Sgl Box ¹ + 1470-080 900 MHz RF Module ..	1068.00
2351-082 QUAD Box ¹ Pre-wired (4 boards max)	1266.00

1 – Includes one (1) 2358-010 board and 16V, 40 VA transformer.

Expansion Option Wireless Kits

2361-080 Base Board Kit ¹ 2.4 GHz	604.00
2333-080 Base Board Kit ¹ 900 MHz	652.00
1489-080 Expansion Board Kit ² 2.4 GHz	320.00
1470-080 Expansion Board Kit ² 900 MHz	386.00
2364-080 Single channel repeater 2.4 GHz	322.00
2372-080 Dual channel repeater 2.4 GHz	462.00
2332-080 Dual channel repeater 900 MHz	606.00

1 - One (1) base board kit is installed in the 1835 controller.

2 – Expansion board kit(s) are installed on each 2358 tracker board.

1514-075 2.4 GHz antenna extension kit	63.18
1514-079 900 MHz antenna extension kit	63.18
8064-046 Coax cable extension 13-ft (3.9m)	54.98
1514-004 Disk antenna 2.4 GHz	37.92
1514-003 Six inch (152mm) antenna 2.4 GHz	57.34
1514-028 Disk antenna 900 MHz	35.28
1514-019 Six inch (152mm) antenna 900 MHz	35.28
1514-130 Wireless range test kit 2.4 GHz	880.00
1514-140 Wireless range test kit 900 MHz	790.00

Elevator Control

2348-040 ¹ Elevator control board + hardware	2326.00
2348-080 ² Lockable enclosure	3012.00
2348-081 ³ Lockable enclosure large	3286.00

1 – Includes board and mounting hardware.

2 – Includes one (1) 2348-010 board. Room for two (2) boards' total.

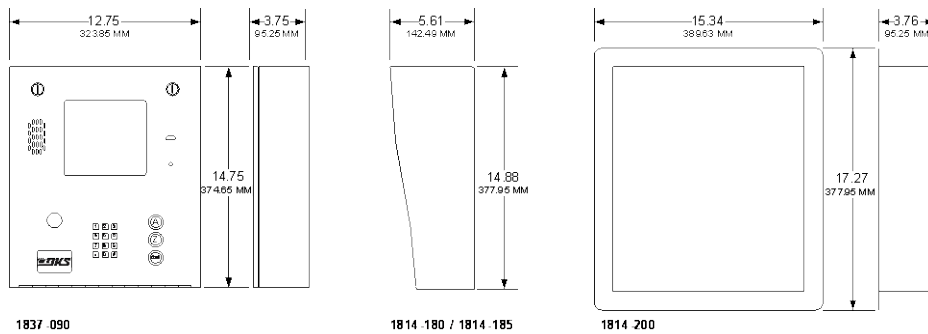
3 – Includes one (1) 2340-010 board. Room for four (4) boards' total.

1837 Telephone Entry System – 90 Series

Residential, Commercial

1837

- Larger cabinet, one design
- Dual locks, double weather seal
- Space for card reader, IP camera, TCP-IP adapter
- Optional 10 ga. hood, stainless steel or black
- Stainless steel flush kit
- 31 security (permission) levels
- 32 holiday schedules
- True anti-pass back features
- 10 and 11 digit dialing
- Eight (8) hold open time zones



Model ¹	Phone Numbers	Directory	Entry Codes ²	Device Codes ³	Relays	Auxiliary Inputs ⁴	Expansion ⁵	PC Programmable ⁶	Elevator Control	Transaction Buffer
1837	3000	8-Line Electronic	3000	8000	3	2	48 Max	Yes	Yes	8000

1. Card reader mounting will accommodate the following card readers only: 1815-302 (DK Prox), 1815-380 (HID), 1815-215 (ID-Teck).
2. Entry codes are four (4) digits only and are not the same as device codes. Entry codes grant access when entered on the entry system keypad (or secondary keypad) only.
3. Device codes refer to any five (5) digit 26-bit wiegand device used to access an entry point, such as cards, transmitters or PINs (Personal Identification Number). Five (5) digit device codes can also be used on the system keypad.
4. 1837 has two 26-bit wiegand inputs.
5. Up to 48 additional entry points can be controlled via card readers, AVID tag readers, RF receivers or digital keypads using wired tracker expansion boards. This is reduced to 24 if using wireless expansion.
6. Programming and transaction analysis software available for free download at doorking.com.

1837 Telephone Entry Systems – 90 Series

Residential, Commercial

1837 Telephone Entry System

1837-090 6726.00

Service Connection Options

1800-080 Cellular Voice + Data¹ 686.00

2334-080 VoIP - TCP/IP Control Box^{3,5} 548.00

1815-568 VoIP Adapter^{2,4} 134.00

1830-186 Plug & Play^{3,4} (Plug & Play) 240.00

1830-185 Network Adapter (Manual Setup) 240.00

1 – DKS Cellular subscription required.

2 – DKS VoIP subscription required.

3 – DKS VoIP or Data over IP subscription required.

4 – 1815-568 is required for voice, 1830-186 or 1830-185 is required for data

5 – Combines the 1815-568 and 1830-186 into a common housing with built-in ethernet switch.

Programming Only Connection Options

1508-055 RS232 to RS422 Conversion Kit 1328.00

1815-037 USB to RS232 Adapter 190.00

1818-040 RS232 Connecting Cable 6-ft (1.8m) 50.56

Accessories

1814-180 Stainless Steel Hood (10 ga) 452.00

1814-185 Black Hood (10 ga) 224.00

1814-200 Flush Kit (Rough-in box + trim ring) 636.00

1506-081 Secondary Keypad surface mount 466.00

1506-091 Secondary Keypad flush mount 604.00

1720-080 LED Light Kit 466.00

1804-193 External Speaker 212.00

1801-008 Backup Battery 12-Volt .8 Ah 96.10

2600-584 Heater Kit 178.00

1812-147 Camera 1074.00

1807-012 Handset Kit (surface mount only) 444.00

1830-310 TTY Add-on Factory Installed 328.00

1830-315 TTY Add-on kit 366.00

Expansion Options

2358-010 Tracker Expansion Board 542.00

2351-080 Sgl Box¹ (1 board max) 732.00

2351-084 Sgl Box¹ + 1489-080 2.4 GHz RF Module 1200.00

2351-085 Sgl Box¹ + 1470-080 900 MHz RF Module .. 1068.00

2351-082 QUAD Box¹ Pre-wired (4 boards max) 1266.00

1 – Includes one (1) 2358-010 board and 16V, 40 VA transformer.

Expansion Option Wireless Kits

2361-080 Base Board Kit¹ 2.4 GHz 604.00

2333-080 Base Board Kit¹ 900 MHz 652.00

1489-080 Expansion Board Kit² 2.4 GHz 320.00

1470-080 Expansion Board Kit² 900 MHz 386.00

2364-080 Single channel repeater 2.4 GHz 322.00

2372-080 Dual channel repeater 2.4 GHz 462.00

2332-080 Dual channel repeater 900 MHz 606.00

1 - One (1) base board kit is installed in the 1837 controller.

2 – Expansion board kit(s) are installed on each 2358 tracker board.

1514-075 2.4 GHz antenna extension kit 63.18

1514-079 900 MHz antenna extension kit 63.18

8064-046 Coax cable extension 13-ft (3.9m) 54.98

1514-004 Disk antenna 2.4 GHz 37.92

1514-003 Six inch (152mm) antenna 2.4 GHz 57.34

1514-028 Disk antenna 900 MHz 35.28

1514-019 Six inch (152mm) antenna 900 MHz 35.28

1514-130 Wireless range test kit 2.4 GHz 880.00

1514-140 Wireless range test kit 900 MHz 790.00

Elevator Control

2348-040¹ Elevator control board + hardware 2326.00

2348-080² Lockable enclosure 3012.00

2348-081³ Lockable enclosure large 3286.00

1 – Includes board and mounting hardware.

2 – Includes one (1) 2348-010 board. Room for two (2) boards' total.

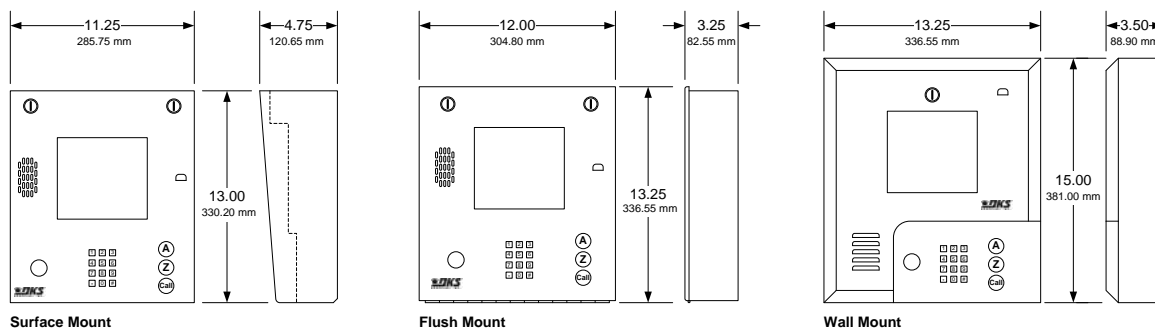
3 – Includes one (1) 2340-010 board. Room for four (4) boards' total.

1837 Telephone Entry System – 80 Series

Residential, Commercial

1837

- Full duplex voice communication
- Stores up to 3000 phone numbers
- 255 area codes
- Programmable directory codes
- 10 and 11 digit dialing
- Built-in clock/calendar
- Three (3) built-in relays
- Two (2) 26-bit wiegand inputs
- Expandable to control up to 24 entrances
- 31 security (permission) levels
- 32 holiday schedules
- True anti-pass back features



Model	Phone Numbers	Directory	Entry Codes ¹	Device Codes ²	Relays	Auxiliary Inputs ³	Expansion ⁴	PC Programmable ⁵	Elevator Control	Transaction Buffer
1837	3000	8-Line Electronic	3000	8000	3	2	48 Max	Yes	Yes	8000

1. Entry codes are four (4) digits only and are not the same as device codes. Entry codes grant access when entered on the entry system keypad (or secondary keypad) only.
2. Device codes refer to any five (5) digit 26-bit wiegand device used to access an entry point, such as cards, transmitters or PINs (Personal Identification Number). Five (5) digit device codes can also be used on the system keypad.
3. 1837 has two 26-bit wiegand inputs.
4. Up to 48 additional entry points can be controlled via card readers, AVID tag readers, RF receivers or digital keypads using wired tracker expansion boards. This is reduced to 24 if using wireless expansion.
5. Programming and transaction analysis software available for free download at doorking.com.

1837 Telephone Entry Systems – 80 Series

Residential, Commercial

1837 Telephone Entry System

1837-080 Surface Mount	6448.00
1837-084 Flush Mount	6448.00
1837-089 Wall Mount	6726.00

Service Connection Options

1800-080 Cellular Voice + Data ¹	686.00
2334-080 VoIP - TCP/IP Control Box ^{3,5}	548.00
1815-568 VoIP Adapter ^{2,4}	134.00
1830-186 Plug & Play ^{3,4} (Plug & Play)	240.00
1830-185 Network Adapter (Manual Setup)	240.00

1 – DKS Cellular subscription required.

2 – DKS VoIP subscription required.

3 – DKS VoIP or Data over IP subscription required.

4 – 1815-568 is required for voice, 1830-186 or 1830-185 is required for data

5 – Combines the 1815-568 and 1830-186 into a common housing with built-in ethernet switch.

Programming Only Connection Options

1508-055 RS232 to RS422 Conversion Kit	1328.00
1815-037 USB to RS232 Adapter	190.00
1818-040 RS232 Connecting Cable 6-ft (1.8m)	50.56

Accessories

1803-150 Surface Mount Trim Ring Black	248.00
1814-165 Flush Mount Kit Stainless Steel	416.00
1814-152 Surface Mount Ring for Flush Units	248.00

1506-081 Secondary Keypad surface mount	466.00
1506-091 Secondary Keypad flush mount	604.00
1720-080 LED Light Kit	466.00
1804-193 External Speaker	212.00
1801-008 Backup Battery 12-Volt .8 Ah	96.10
2600-584 Heater Kit	178.00
1812-145 Camera	1074.00
1807-012 Handset Kit (surface mount only)	444.00
1830-310 TTY Add-on Factory Installed	328.00
1830-315 TTY Add-on kit	366.00

Expansion Options

2358-010 Tracker Expansion Board	542.00
2351-080 Sgl Box ¹ (1 board max)	732.00
2351-084 Sgl Box ¹ + 1489-080 2.4 GHz RF Module	1200.00
2351-085 Sgl Box ¹ + 1470-080 900 MHz RF Module ..	1068.00
2351-082 QUAD Box ¹ Pre-wired (4 boards max)	1266.00

1 – Includes one (1) 2358-010 board and 16V, 40 VA transformer.

Expansion Option Wireless Kits

2361-080 Base Board Kit ¹ 2.4 GHz	604.00
2333-080 Base Board Kit ¹ 900 MHz	652.00
1489-080 Expansion Board Kit ² 2.4 GHz	320.00
1470-080 Expansion Board Kit ² 900 MHz	386.00
2364-080 Single channel repeater 2.4 GHz	322.00
2372-080 Dual channel repeater 2.4 GHz	462.00
2332-080 Dual channel repeater 900 MHz	606.00

1 - One (1) base board kit is installed in the 1837 controller.

2 – Expansion board kit(s) are installed on each 2358 tracker board.

1514-075 2.4 GHz antenna extension kit	63.18
1514-079 900 MHz antenna extension kit	63.18
8064-046 Coax cable extension 13-ft (3.9m)	54.98
1514-004 Disk antenna 2.4 GHz	37.92
1514-003 Six inch (152mm) antenna 2.4 GHz	57.34
1514-028 Disk antenna 900 MHz	35.28
1514-019 Six inch (152mm) antenna 900 MHz	35.28
1514-130 Wireless range test kit 2.4 GHz	880.00
1514-140 Wireless range test kit 900 MHz	790.00

Elevator Control

2348-040 ¹ Elevator control board + hardware	2326.00
2348-080 ² Lockable enclosure	3012.00
2348-081 ³ Lockable enclosure large	3286.00

1 – Includes board and mounting hardware.

2 – Includes one (1) 2348-010 board. Room for two (2) boards' total.

3 – Includes one (1) 2340-010 board. Room for four (4) boards' total.

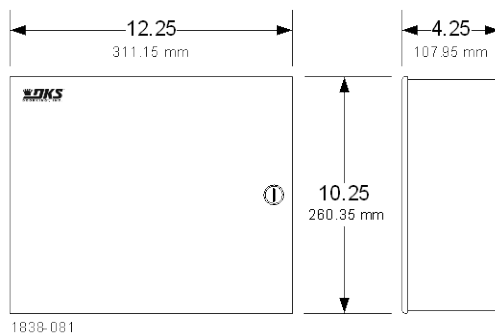
1838 Access Controller

Commercial

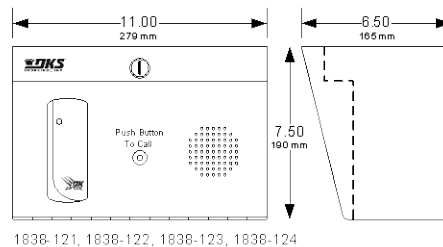
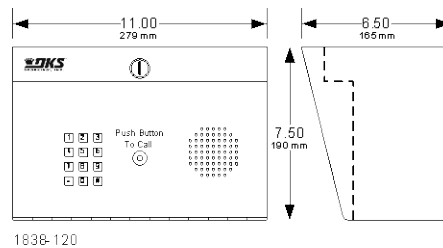
1838

- Stores up to 3000 user names
- Programmable directory codes
- Built-in clock/calendar
- Voice communication capability
- Optional plug-in programming display
- Two (2) built-in relays control relays
- Two (2) 26-bit wiegand inputs
- Expandable to control up to 24 entrances
- 31 security (permission) levels
- 32 holiday schedules
- True anti-pass back features

Access Controller



Call Stations



Model	User Names	Directory	Entry Codes ¹	Device Codes ²	Relays	Auxiliary Inputs ³	Expansion ⁴	PC Programmable ⁵	Elevator Control	Transaction Buffer
1838	3000	N / A	3000	8000	2	2	48 Max	Yes	Yes	8000

1. Entry codes are four (4) digits only and are not the same as device codes. Entry codes grant access when entered on the entry system keypad (or secondary keypad) only.
2. Device codes refer to any five (5) digit 26-bit wiegand device used to access an entry point, such as cards, transmitters or PINs (Personal Identification Number). Five (5) digit device codes can also be used on the system keypad.
3. 1838 has two 26-bit wiegand inputs.
4. Up to 48 additional entry points can be controlled via card readers, AVID tag readers, RF receivers or digital keypads using wired tracker expansion boards. This is reduced to 24 if using wireless expansion.
5. Programming and transaction analysis software available for free download at doorking.com.

1838 Access Controller

Commercial

1838 Access Controller

1838-081 Surface Mount 2202.00

Service Connection Options

1800-080 Cellular Voice + Data¹ 686.00
 2334-080 VoIP - TCP/IP Control Box^{3,5} 548.00
 1815-568 VoIP Adapter^{2,4} 134.00
 1830-186 Plug & Play^{3,4} (Plug & Play) 240.00
 1830-185 Network Adapter (Manual Setup) 240.00

- 1 – DKS Cellular subscription required.
- 2 – DKS VoIP subscription required.
- 3 – DKS VoIP or Data over IP subscription required.
- 4 – 1815-568 is required for voice, 1830-186 or 1830-185 is required for data
- 5 – Combines the 1815-568 and 1830-186 into a common housing with built-in ethernet switch.

Programming Only Connection Options

1508-055 RS232 to RS422 Conversion Kit 1328.00
 1815-037 USB to RS232 Adapter 190.00
 1818-040 RS232 Connecting Cable 6-ft (1.8m) 50.56

Call Stations^{1,2}

1838-120 Call station w/keypad 912.00
 1838-121 Call Station w/ID Tech card reader 736.00
 1838-122 Call station w/AWID card reader 720.00
 1838-123 Call station w/HID card reader 972.00
 1838-124 Call station w/DK Prox card reader 632.00
 1494-010 Microphone combiner³ 75.86

- 1 – Provides voice communication via telephone communication.
- 2 – Requires active telephone line.
- 3 – Use if two call stations will share the same telephone line.

Accessories

1838-220 1 x 20 LCD Programming Display 912.00
 1506-081 Secondary Keypad surface mount 466.00
 1506-091 Secondary Keypad flush mount 604.00
 1801-008 Backup Battery 12-Volt .8 Ah 96.10

Expansion Options

2358-010 Tracker Expansion Board 542.00
 2351-080 Sgl Box¹ (1 board max) 732.00
 2351-084 Sgl Box¹ + 1489-080 2.4 GHz RF Module 1200.00
 2351-085 Sgl Box¹ + 1470-080 900 MHz RF Module .. 1068.00
 2351-082 QUAD Box¹ Pre-wired (4 boards max) 1266.00
 1 – Includes one (1) 2358-010 board and 16V, 40 VA transformer.

Expansion Option Wireless Kits

2361-080 Base Board Kit¹ 2.4 GHz 604.00
 2333-080 Base Board Kit¹ 900 MHz 652.00
 1489-080 Expansion Board Kit² 2.4 GHz 320.00
 1470-080 Expansion Board Kit² 900 MHz 386.00
 2364-080 Single channel repeater 2.4 GHz 322.00
 2372-080 Dual channel repeater 2.4 GHz 462.00
 2332-080 Dual channel repeater 900 MHz 606.00
 1 - One (1) base board kit is installed in the 1838 controller.
 2 – Expansion board kit(s) are installed on each 2358 tracker board.

1514-075 2.4 GHz antenna extension kit 63.18
 1514-079 900 MHz antenna extension kit 63.18
 8064-046 Coax cable extension 13-ft (3.9m) 54.98
 1514-004 Disk antenna 2.4 GHz 37.92
 1514-003 Six inch (152mm) antenna 2.4 GHz 57.34
 1514-028 Disk antenna 900 MHz 35.28
 1514-019 Six inch (152mm) antenna 900 MHz 35.28
 1514-130 Wireless range test kit 2.4 GHz 880.00
 1514-140 Wireless range test kit 900 MHz 790.00

Elevator Control

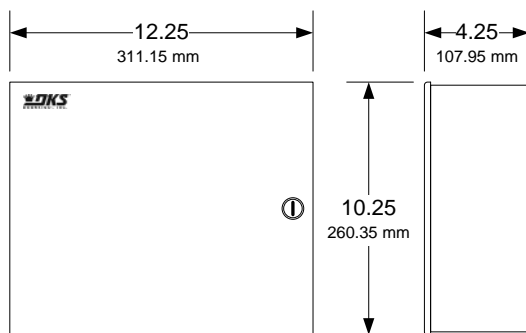
2348-040¹ Elevator control board + hardware 2326.00
 2348-080² Lockable enclosure 3012.00
 2348-081³ Lockable enclosure large 3286.00
 1 – Includes board and mounting hardware.
 2 – Includes one (1) 2348-010 board. Room for two (2) boards' total.
 3 – Includes one (1) 2340-010 board. Room for four (4) boards' total.

1838 Access Plus Controller

Residential, Commercial

1838 AP

- Stores up to 100 user names
- Programmable directory codes
- Built-in clock/calendar
- Voice communication capability
- Optional plug-in programming display
- Control up to 8 entry points
- IP Addressable
- PC Programmable
- 2-Digit directory codes
- 20-digit dialing
- Includes 16 VAC power transformer



Model	Phone Numbers	Directory Names	Entry Codes ¹	Device Codes ²	Relays	Auxiliary Inputs ³	Expansion ⁴	PC Programmable ⁵	Temporary Codes	Holiday Schedules
1838 AP	27	N/A	50	100	2	2	6 Max	Yes	10	Yes

1. Entry codes are four (4) digits only and are not the same as device codes. Entry codes grant access when entered on the entry system keypad (or secondary keypad) only.
2. Device codes refer to any five (5) digit RS-485 device used to access an entry point, such as cards, transmitters or PINs (Personal Identification Number). Five (5) digit device codes can also be used on the system keypad.
3. 1838 AP uses a standard RS-485 data input.
4. Six (6) additional entry points can be controlled via RS-485 card readers, AVID tag readers, RF receivers or digital keypads.
5. AP Programming software available for free download at doorking.com.

1838 Access Plus Controller

Residential, Commercial

1838 Access Plus Controller

1838-095 Surface Mount 1960.00

Service Connection Options

1800-081 Cellular Voice + Data¹ 686.00

1815-568 VoIP Adapter² 134.00

1 – DKS Cellular subscription required.

2 – DKS VoIP subscription required.

1838 AP (ACCESS PLUS ONLY) Expansion Options

2354-010 Conversion Board 190.00

1815-235 Conversion Board w/Enclosure 332.00

Converts 26-bit Wiegand to RS-485. Requires 12-16 VDC power.

1812-018 12-VDC, 1A Transformer 51.62

1200-080 Transformer Box 246.00

1816-083 Intercom Phone Expansion 1202.00

The 1816-083 expands the "No Phone Line" telephone intercom interface on Access Plus systems from a single phone line up to 11 phone lines. The system can be further expanded to interface with up to a maximum of 23 phone lines.

RS-485 Card Readers (ACCESS PLUS ONLY) 1815-332 DK Prox Reader 412.00

1815-232 ID Tech Reader 530.00

1815-233 AWID Reader 542.00

1815-234 HID Reader 962.00

RS-485 Keypads (ACCESS PLUS ONLY)

1513-081 Surface Mount 570.00

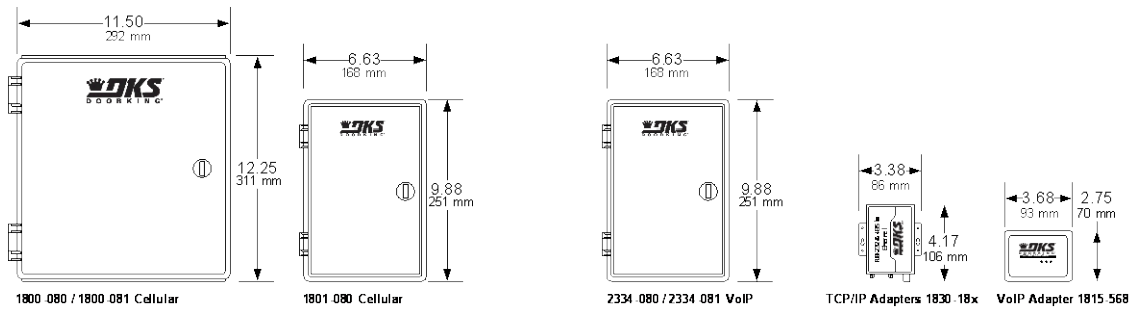
1513-082 Flush Mount 708.00

RS-485 RF Controls (ACCESS PLUS ONLY)

8053-080 MicroPlus Receiver 228.00

Connection Options

Cellular, TCP/IP Network, VoIP



Cellular¹

1800-080 Voice + Data	686.00
1800-081 Voice + Data (AP models only).....	686.00
1801-080 Voice only	456.00

1. Cellular subscription required.

VoIP – TCP/IP Control Box^{1,2}

2334-080 VoIP – TCP/IP Control Box	548.00
2334-081 VoIP – TCP/IP Control Box ³	548.00

1 – DKS VoIP or Data over IP subscription required.

2 – Combines the 1815-568 and 1830-186 into a common housing with built-in ethernet switch.

3 – Use with Access Plus systems only.

Accessories¹

1514-014 Long Range Antenna 4GLTE.....	140.00
--	--------

1 – 1800-080 and 1800-081 only.

TCP/IP Network Adapters

1830-185 (Manual setup)	240.00
1830-186 ¹ (Plug & Play)	240.00

1. DKS VoIP or Data over IP subscription required.

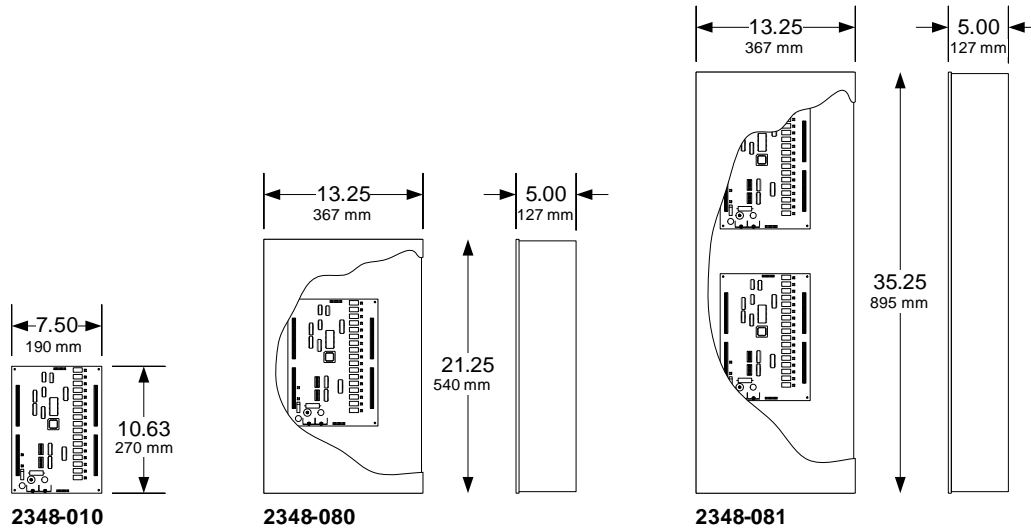
VoIP Adapter

1815-568 ¹	134.00
-----------------------------	--------

1. DKS VoIP subscription required.

Model 2348

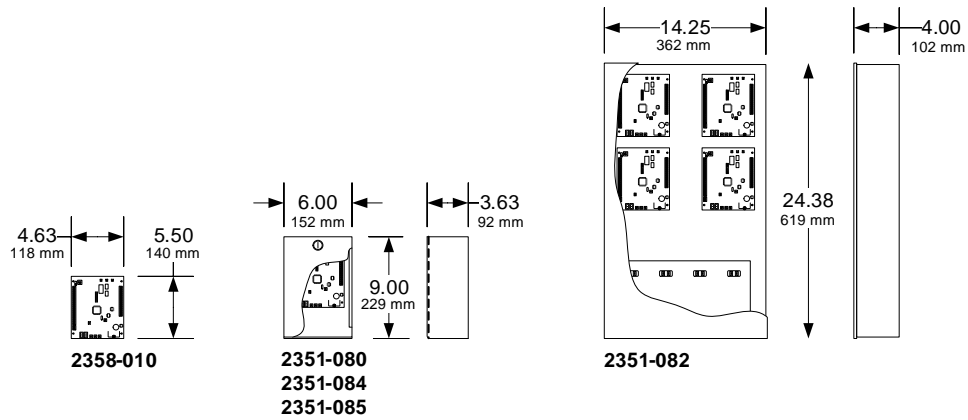
Elevator Control



Elevator Control Board	
2348-040	2326.00
<ul style="list-style-type: none"> Includes mounting hardware. 	
Enclosures¹	
2348-080	3012.00
<ul style="list-style-type: none"> Maximum two (2) 2348 boards. 	
2348-081	3286.00
<ul style="list-style-type: none"> Maximum four (4) 2348 boards. 	
<p><i>1. Includes one (1) 2348 control board and power transformer.</i></p>	

Expansion Boards

Tracker Expansion Boards



Tracker Expansion Board

2358-010 542.00

Enclosures

2351-080 732.00

- Includes one (1) 2358-010 board and 16V, 20 VA transformer.

2351-084 1200.00

- Includes one (1) 2358-010 board, 1489-080 RF Module, 2.4 GHz and 16V, 20 VA transformer.

2351-085 1068.00

- Includes one (1) 2358-010 board, 1470-080 RF Module, 900 MHz and 16V, 20 VA transformer.

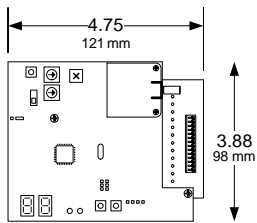
2351-082 1266.00

- Includes one (1) 2358-010 board and 16V, 40 VA transformer.
- Can hold a maximum four (4) 2358-010 boards.
- Pre-wired.

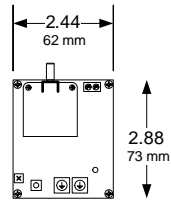
Wireless Kits

Tracker Expansion Board Wireless Kits

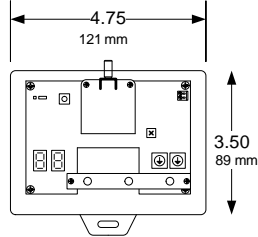
2.4 GHz



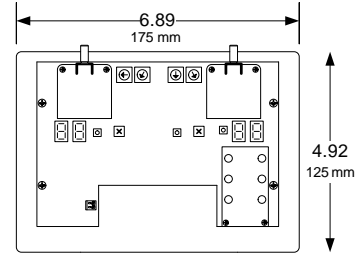
2361-080 Baseboard



1489-080 Expansion



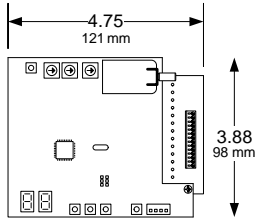
2364-080 Repeater



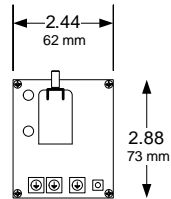
2372-080 Repeater

900 MHz

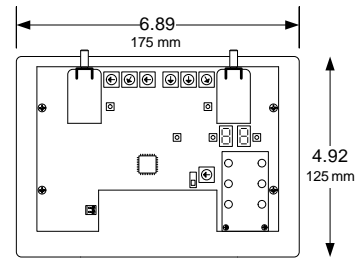
IMPORATNT! 900 MHz wireless expansion can only be used with 2358 expansion boards, REV N or higher.



2333-080 Baseboard



1470-080 Expansion



2332-080 Repeater

Baseboard Kits

2361-080 2.4 GHz.....	604.00
2333-080 900 MHz.....	652.00

- Plugs into the 1830 series control board.
- Includes antenna kit and vandal resistant disk antenna.

Expansion Board Kits

1489-080 2.4 GHz.....	320.00
1470-080 900 MHz.....	386.00

- Plugs into the 2358 expansion board.
- Includes 6-inch and vandal resistant disk antenna.

Single Channel Repeater

2364-080 2.4 GHz.....	322.00
-----------------------	--------

- Extends the range when a single 1489 kit is in use.

Dual Channel Repeaters

2372-080 2.4 GHz.....	462.00
2332-080 900 MHz.....	606.00

- Extends the range when multiple 1470 or 1489 kits are in use.

Accessories

1514-075 Antenna Kit 2.4 GHz.....	63.18
1514-079 Antenna Kit 900 MHz.....	63.18

- Includes 6-inch antenna, mounting bracket and 13-foot cable.

8064-046 Extension Cable.....	54.98
-------------------------------	-------

- Use with 1514-075 and 1514-079.

Antennas

1514-003 6-inch Antenna 2.4 GHz.....	57.34
1514-004 Disk Antenna 2.4 GHz.....	37.92
1514-019 6-inch Antenna 900 MHz.....	35.28
1514-028 Disk Antenna 900 MHz.....	35.28

Field Range Test Kit

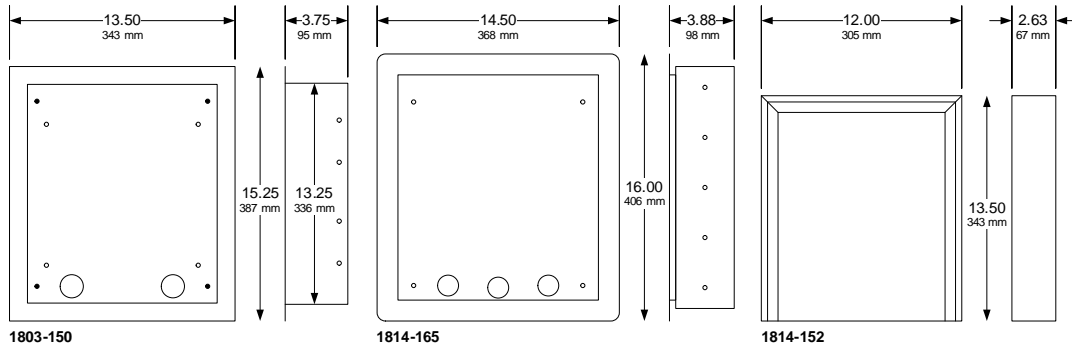
1514-130 2.4 GHz.....	880.00
1514-140 900 MHz.....	790.00

- Use to verify a good wireless connection between base and remote stations.

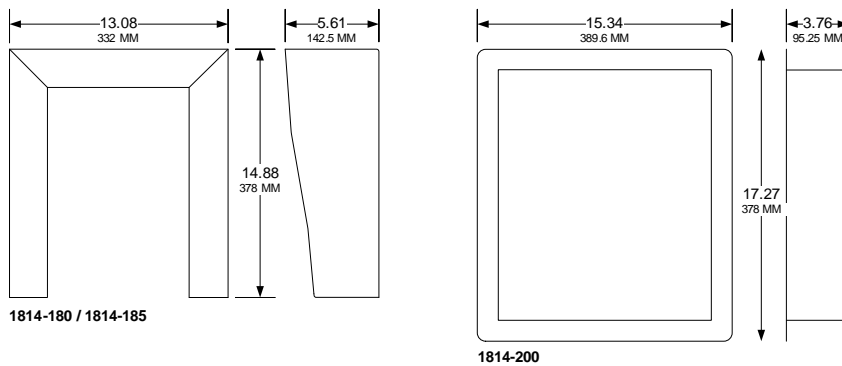
Mounting Kits

Telephone Entry System Mounting Kits

Use with 1803, 1810 and 1833, 1834, 1835, 1837 - 80 Series only



Use with 1834, 1835, 1837 - 90 Series only



80 Series Only

Surface Mount Trim Ring - Black

1803-150248.00

- Use with surface mount 1803, 1810, 1833, 1834, 1835 and 1837 80 Series only.

Flush Kit Stainless Steel

1814-165416.00

- Use with flush mount 1803, 1810, 1833, 1834, 1835 and 1837 80 Series only.

Surface Mount Adapter for Flush Units

1814-152248.00

- Allows a flush mount unit to be mounted directly to a flat surface. Indoor use only.
- Use with flush mount 1803, 1810, 1833, 1834, 1835 and 1837 80 Series only.

90 Series Only

Hood – Stainless Steel

1814-180 452.00

- Use with 1834-090, 1835-090 and 1837-090 systems only.

Hood – Black

1814-185 224.00

- Use with 1834-090, 1835-090 and 1837-090 systems only.

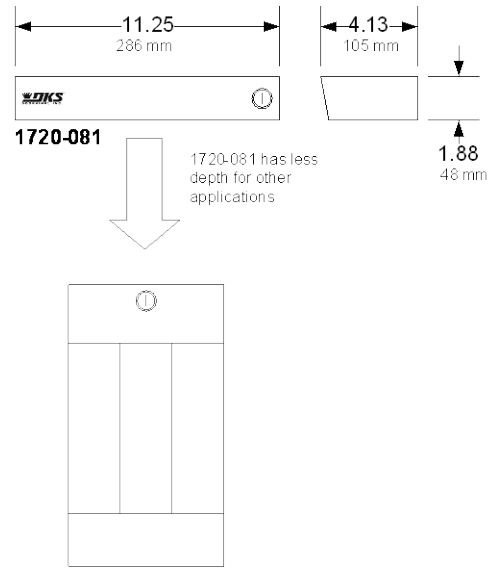
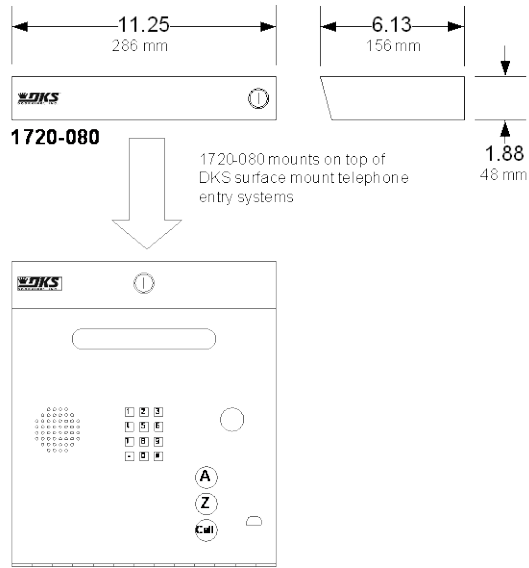
Flush Kit Stainless Steel (rough-in box + trim ring)

1814-200 636.00

- Use with 1834-090, 1835-090 and 1837-090 systems only.

Model 1720

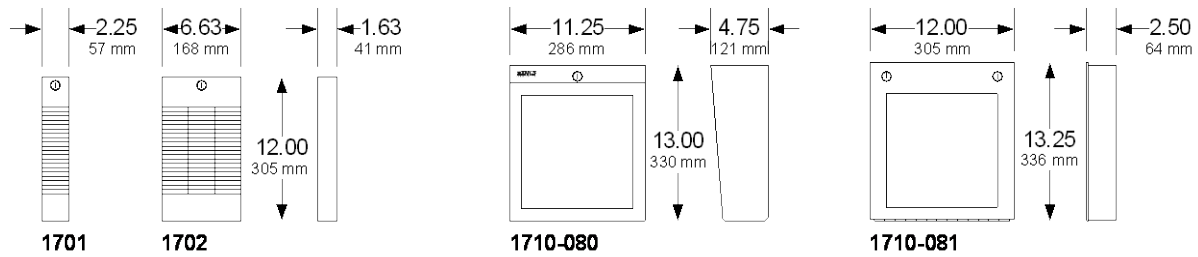
Telephone Entry System LED Light Kit



LED Light Kit - Long	
1720-080	466.00
<ul style="list-style-type: none"> Use with surface mount 1803, 1810, 1833, 1834, 1835 and 1837 systems. 	
LED Light Kit - Short	
1720-081	454.00
<ul style="list-style-type: none"> Use with add-on directory. 	

Model 1701 / 1702 / 1710

Add-On Directories



Add-On Directories – Non-Lighted

1701-080164.00

- 20 name capacity.

1702-080240.00

- 60 name capacity.

Add-On Directories – LED Lighted

1710-080 Surface Mount508.00

1710-081 Flush Mount508.00

- These directories use 8-1/2 x 11 sheet paper. Make your own directory with a word processor program.

Lighted Directory Mounting Accessories

1803-150 Surface Mount recess kit..... 248.00

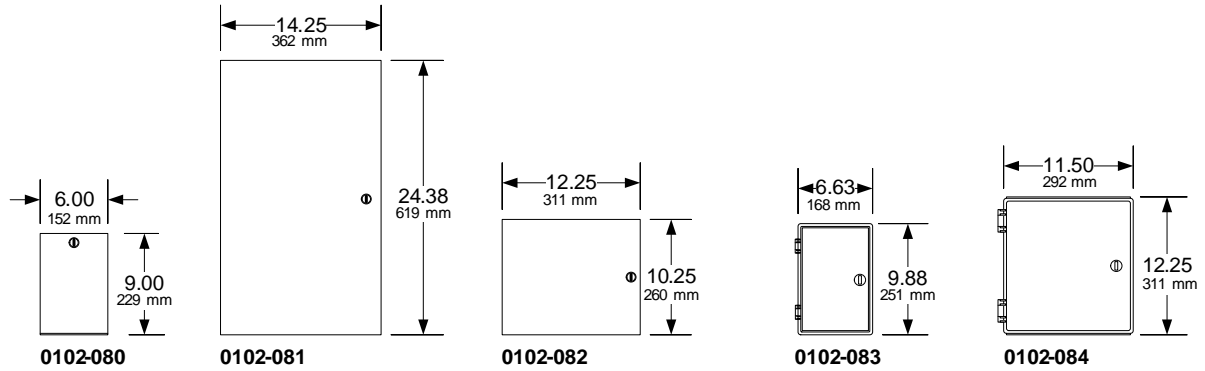
- Use with the 1710-080 directory.

1814-165 Flush Mount kit 416.00

- Use with the 1710-081 directory.

General Purpose Utility Enclosures

Telephone Entry System Accessories



General purpose enclosures have no power receptacles or terminal strips, carry no warranty and are not listed.

0102-080 Small lockable metal enclosure	176.00
0102-081 Large lockable metal enclosure	418.00
0102-082 Medium lockable metal enclosure.....	224.00
0102-083 Small lockable plastic enclosure	204.00
0102-084 Medium lockable plastic enclosure	224.00

Part Number	Height	Width	Depth	Material	Lockable
0102-080	9.00 (229mm)	6.00 (152mm)	3.63 (92mm)	Metal	Yes
0102-081	24.38 (619mm)	14.25 (362mm)	4.00 (102mm)	Metal	Yes
0102-082	10.25 (260mm)	12.25 (311mm)	4.25 (108mm)	Metal	Yes
0102-083	9.88 (251mm)	6.63 (168mm)	4.00 (102mm)	Plastic	Yes
0102-084	12.25 (311mm)	11.50 (292mm)	6.00 (152mm)	Plastic	Yes

Accessories

Handset Kits, Isolation Transformers, Miscellaneous, CCTV Camera Kits

Handset Conversion Kit	
1807-012	444.00
Handset, adapter, hanger and speaker cover	
Replacement Handset	
1807-006	344.00

Isolation Transformers	
1830-140	80.90
Use with 1810, 1833, 1838 1808, 1810, 1812 Access Plus Systems	
1830-142	80.90
Use with 1834, 1835, 1837	

Miscellaneous	
1506-081 Secondary Keypad surface mount	466.00
1506-091 Secondary Keypad flush mount	604.00
1801-008 Backup Battery 12-Volt .8 AH	96.10
1804-193 External Speaker	212.00
Use in high noise areas	
2600-584 Heater Kit	178.00
2600-588 Heater Kit	284.00
2600-582 LCD Heater Kit	55.62
1816-070 Line Sense Relay	55.62

Key Lock Sets (Lock + 2 Keys)	
4001-035 Lock #16120 (standard key lock)	42.00
4001-038 Lock #16121	42.00
4001-039 Lock #16122	42.00
4001-041 Lock #16123	42.00
4001-042 Lock #16124	42.00
4001-043 Lock #16125	42.00
4001-044 Lock #16126	42.00
4001-045 Lock #16127	42.00
4001-046 Lock #16128	42.00
4001-047 Lock #16129	42.00
4001-048 Lock #16130	42.00

CCTV Camera Kit – High Resolution	
1812-145	1074.00
High resolution color camera kit (camera, mounting bracket, wire harness, power supply)	
Use this camera with the following models:	
1802-082, 1802-089, 1802-090, 1802-091, 1802-092	
1803-080, 1803-084, 1803-090, 1803-092	
1808-081, 1808-082, 1808-083, 1808-084, 1808-085	
1810-084, 1810-090, 1810-096	
1812-088, 1812-093, 1812-094	
1819-080	
1833-080, 1833-084	
1834-084, 1834-089	
1835-084, 1835-089	
1837-080, 1837-084, 1837-089	
1838-120, 1838-021, 1838-122, 1838-123, 1838-124	

CCTV Camera Kit – High Resolution	
1812-147	1074.00
High resolution color camera kit (camera, mounting bracket, wire harness, power supply)	
Use this camera with the following models:	
1504-080, 1504-081, 1504-082, 1504-083, 1504-084, 1504-085, 1504-086, 1504-090, 1504-091, 1504-120, 1504-121, 1504-122, 1504-123, 1504-124	
1810-080, 1810-088, 1810-095	
1812-081, 1812-087, 1812-089, 1812-090, 1812-091, 1812-092, 1812-095, 1812-096, 1812-097, 1812-098, 1812-099	
1815-247, 1815-248, 1815-249, 1815-250, 1815-251	
1834-080, 1834-090	
1835-080, 1835-090	
1837-090	

Video Adapter	
1812-039	532.00
Converts coax to twisted pair for wire runs of up to 3000-ft (B/W) or 1600-ft (color), two required	

Replacement Components

Electronic Components

Circuit Boards	
1862-010	1062.00
Use with 1802, 1802-EPD, 1803, 1808, 1810, 1819	
1863-010	758.00
Use with all "P" series lobby panels	
1871-010	1548.00
Use with 1812 Classic only	
1971-010	1548.00
Use with 1812 Plus only	
1885-010	1896.00
Use with 1816 and 1820 only	
1833-010	1896.00
Use with 1833 only	
1834-010	2022.00
Use with 1834-080 and 1834-084 only	
1834-009	2022.00
Use with 1834-089 and 1834-090 only	
1835-010	2326.00
Use with 1835-080 and 1835-084 only	
1835-009	2326.00
Use with 1835-089 and 1835-090 only	
1837-010	1896.00
Use with 1837 only	
1838-010	1924.00
Use with 1838 only	
1970-010	1800.00
Use with 1802 AP, 1808 AP, 1810 AP, 1812 AP, 1838 AP	
2354-010	190.00
RS-485 to Wiegand interface board	

Keypads	
1895-016.....	148.00
Keypad with letters	
1895-017.....	148.00
Keypad no letters	
1895-019.....	138.00
Keypad 10-pin	
1804-038.....	26.54
Ribbon cable for 1895-016 & 1895-017	
1804-155.....	164.00
Keypad (no letters) & ribbon cable	
1804-156.....	164.00
Keypad (with letters) & ribbon cable	
1895-032.....	158.00
Keypad, green back lighted	
1895-060.....	344.00
Lighted keypad-green, A-Z-CALL button retrofit kit	
1804-158.....	166.00
Lighted keypad-green, retrofit kit	

LCD Displays	
1891-010 Single-Line 20 Character	884.00
Use with 1834, 1835	
1896-012 Eight-Line 20 Character	884.00
Use with 1837 only	
1890-010 Single-Line 8 Character	292.00
Use with 1802, 1803 and 1810	
1902-010 Single-Line 16 Character	422.00
Use with 1802 EPD only	

Miscellaneous	
1998-020	112.00
Replacement microphone kit	
1998-010	112.00
Replacement microphone board	
1997-190	13.28
Microphone wire harness for 1998-010 only	
1804-290	30.34
5-watt speaker (square)	
1817-190	42.96
Oval speaker	
1815-016	26.50
Ribbon cable for 1896-018 display	

LED Light Kits	
1804-700.....	65.76
Use with 1810 surface mount	
1804-701.....	25.28
Use with 1802	
1804-702.....	45.50
Use with 1808, 1834, 1835 surface mount	
1804-703.....	45.50
Use with 1710 directory	
1804-704.....	25.28
Use with 1812	
1804-707.....	45.50
Use with 1810 flush mount	

Blank Page