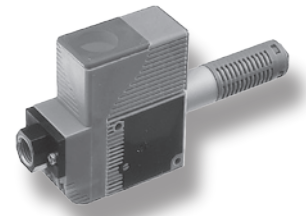
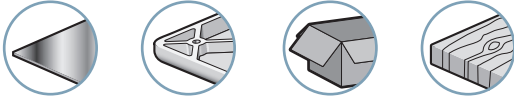


## Automatic blow-off capacity vacuum pump



### Branch-specific applications



### Description

GVC series vacuum pumps are vacuum pumps with automatic blow-off. This characteristic allows the gripped object to be automatically released and thus accelerates throughput and simplifies venturi vacuum pump wiring.

For vacuum generation control, refer to the GVCS range.

The addition of a 1/8 gas fitting to the capacity allows an additional compressed air tank to be connected in order to increase blow-off capacity e.g. for large diameter suction pads.

### Advantages

- Ideal for high throughput applications
- Automatic blow-off
- Can be adapted to all branches
- Adjustable blow-off flow
- Light and compact
- Optimized performance for handling all types of objects
- Silent operation
- No clogging

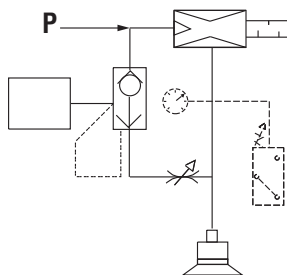
### Characteristics

model	Ø nozzle (mm)	air consumed (NI/min)	maximum vacuum (%)		air drawn in (NI/min)	
			T	N	T	N
GVC 12	1.2	67	75	90	63	45
GVC 15	1.5	100	75	90	95	70

Versions N and T are delivered with silencer S as standard.

### Evacuation time in seconds per liter

% vacuum	10		20		30		40		50		60		70		80		85	
	T	N	T	N	T	N	T	N	T	N	T	N	T	N	T	N	T	N
GVC 12	0.10	0.14	0.22	0.30	0.37	0.49	0.55	0.71	0.78	0.97	1.16	1.33	1.92	1.81	-	2.66	-	3.42
GVC 15	0.07	0.09	0.15	0.20	0.24	0.32	0.36	0.46	0.52	0.63	0.77	0.85	1.27	1.16	-	1.71	-	2.20



### Specifications

Supply	Non-lubricated filtered air, 2 to 6 bar
Optimum pressure	4 bar
Material	POM - 2017A – Cu Zn
Temperature	0 to 60°C / 32 to 140°F
Suction rate	Adjusted by flow restrictor
Operating frequency	2 Hz

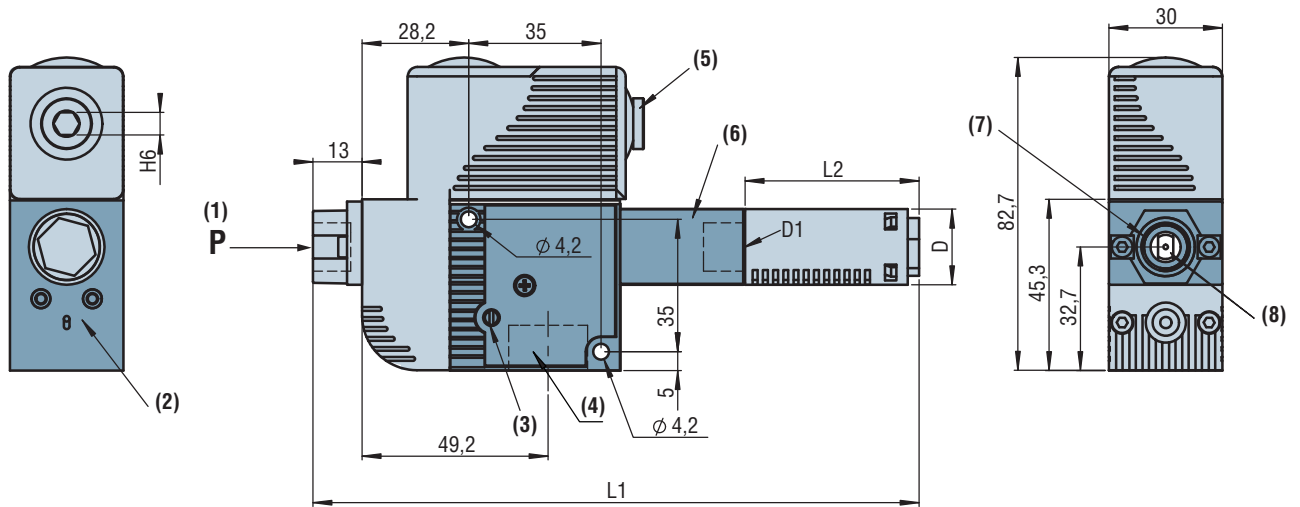
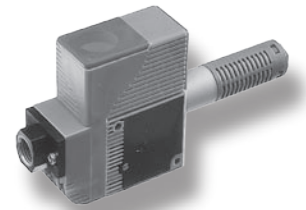
### For all orders, please specify:

Model + Nozzle diameter + Characteristic + Silencer + Fitting

1: Model	2: Nozzle diameter	3: Characteristic	4: Silencer	5: C.A. fitting
GVC	12 1.2 mm 15 1.5 mm	T 75% vacuum N 90% vacuum	- Without silencer S Diffuser K Through-type	14 1/4 G BSPP 68 6x8 calibrated tube

E.g. **GVC 15 T K 68**

(GVC series vacuum pump with automatic blow-off, nozzle diameter 1.5 mm, 75% vacuum with through type silencer and 6x8 calibrated tube fitting)



- (1) 4 bar compressed air tank
- (2) Option mounting zone
- (3) Blow-off adjustment
- (4) Vacuum 1/2 Gas
- (5) 1/8 gas plug for blow-off boost
- (6) Exhaust
- (7) 1/4 Gas, fast 6x8
- (8) Compressed air connection

models	D	D1	L1 <sup>(1)</sup>	L2	
	(mm)	(Gas)	(mm)	S	K
GVC 12	20	1/4	150.2	45	68
GVC 15	20	1/4	160.2	45	68

(1) L1 with standard silencer (S).

## Additional information

### Options

See pages 8/16 and 8/18.

- Blow-off adjustment underneath for manifold mounting.
- 1/8 gas hole on the front for installation of a vacuum gauge.
- Vacuum switch options.

### Curves

See page 8/19.