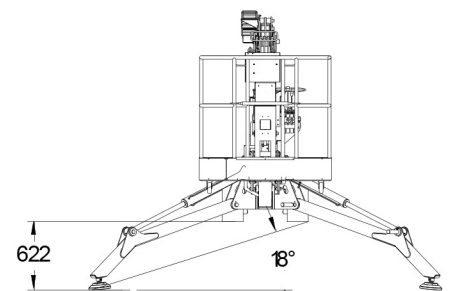
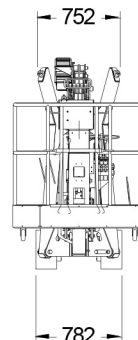
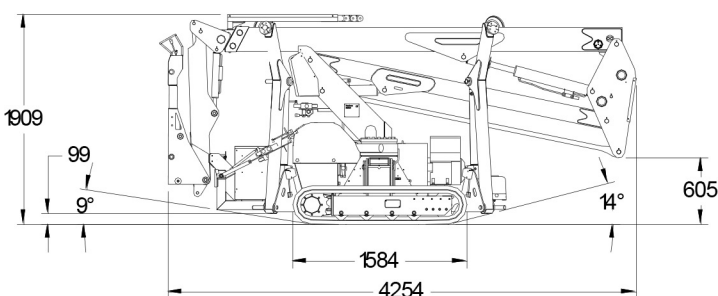
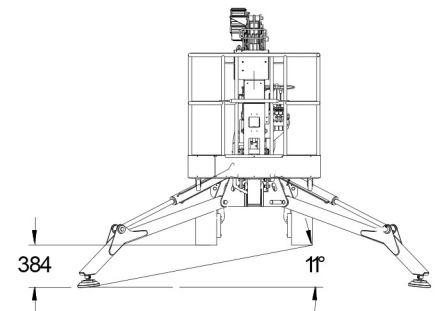
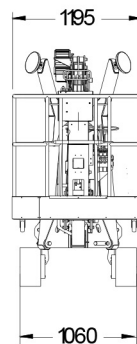
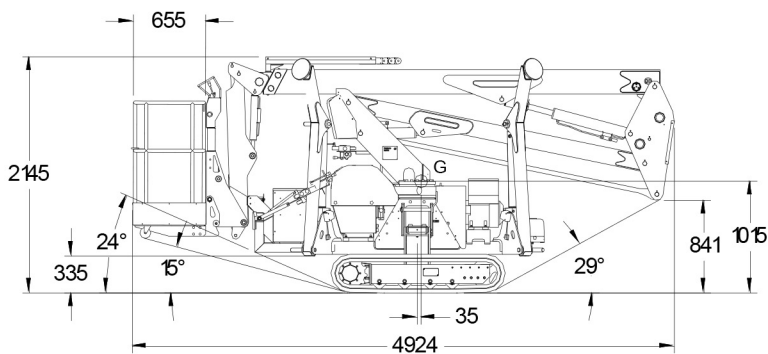




# Technical Data Spider 15.75 Tracked Access Platform

Tel: 01274 666 676 Fax: 01274 669 000 Email:sales@trackedaccessplatforms.com Web:www.trackedaccessplatforms.com

Working Height	15,00m
Basket floor Height	13,00m
Max outreach	7,50m
Turret Rotation	360°
Basket dimensions	1200mm x 660mm x 1100mm
Max working load	200kg
Length in stowed position	4250mm or 4920 mm
Min. Stowed width	780mm
Min. stowed height	1910mm
Outriggers footprint	3000mm x 3650mm
Driving speed	2,0 KMH
Petrol Engine (Honda)	13hp
Diesel Engine (Yanmar—Hatz)	10hp
Max gradeability	24° (44%)
Max lateral gradeability	18° (30%)
Total weight	1850kg
Ground tracks load	3,85 N/cm2
Max pressure on ground (Working condition)	1250daN
<b>OPTIONS</b>	
Electric power pack	240v AC, 110v AC, 415v 3phase





# Spider 15.75

## Working Envelope

