

Venetian Blind Systems



www.blindtrack.co.uk

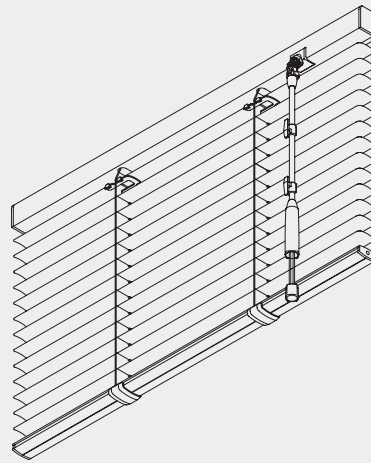
Blindtrack
Unit 23
Orbital 25
Dwight Road
Watford
WD18 9DA
020 8421 6605
sales@blindtrack.co.uk

Application Chart

Operation	Dimensions				Features / Options							Fitting Options		Fitting Surfaces		System								
	min.	max.	max.	m ² max.	Wood (W) / Aluminium (A)	Fabric Tapes	Side Guide available	Slat widths (mm)	Mono operation	Radio Control	Perforated Slats (25mm only)	Dual action wand	Privacy (min light)	Ceiling Fix	Wall Fix		Wood	Concrete	Suspended Ceiling					
	28cm	2.5m	2.5m	4m ²	A	●		16				●		●	●	●	●	●	8100					
	28cm	2.5m	2.5m	5m ²	A		●	16				●		●	●	●	●	●	8110					
	28cm	3m	5m	7m ²	A			25					●											
	50cm	3m	3m	4.5m ²	A	●		16	●					●	●	●	●	●	8300					
								25		●														
	65cm	3m	3.4m	5m ²	A	●		16						●	●	●	●	●	8250					
								25		Opt.		●												
	28cm	3.6m	3.6m	10m ²	A	●	●	50											8900					
	28cm	2.45m	2.75m	4.4m ²	W	●	●	25	●				●	●	●	●	●							
	28cm	2.45m	2.75m	4.6m ²	W	●	●	50																
	56cm	3.6m	3.6m	10m ²	A	●	●	50											8950					
								56cm	2.45m	2.75m	4.4m ²	W	●	●	25		Opt.			●	●	●	●	●
								56cm	2.45m	2.75m	4.4m ²	W	●	●	50									

Cord/Wand operated Venetian Blind System

Silent Gliss® 8100



Product Information

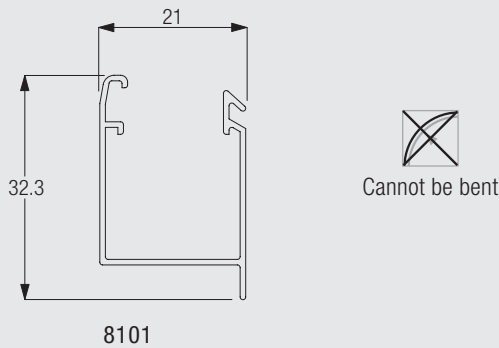
- Venetian blind system for domestic or contract applications with 16mm aluminium slats
- Small headrail which allows fitting in narrow window frames
- Unique user-friendly control wand, combining tilt operation of slats with integrated cords for fast raising/lowering of the blind
- Left or right hand operation with various wand lengths available
- Available in 77 different slat colours
- The system 8100 can be equipped with side-guide wires and can therefore be used for sloped applications up to 15° incline from vertical



8100

Profile, Bending and Specification Information

Profile for 16mm Slats



Specification Information - download from www.silentgliss.co.uk (password required).

Silent Gliss 8100 system wand control venetian blind. Overall widthcm, overall dropcm. Dual operation with control wand and integral cord LHS / RHS. Slat colour(s) to be chosen from Silent Gliss 16mm range. System is to be fixed with snap-on-brackets 8103 to ceiling / wall at 800-1000mm intervals plus one at 50mm from each end.

System Dimensions & Slat Stack Height



2.5m



28cm



2.5m



4m²

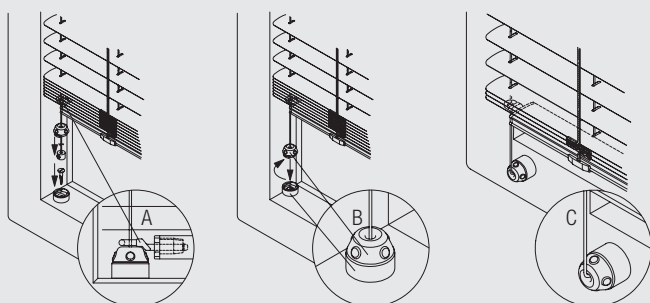
Slat stack height calculation

Slat width (mm)	Slat thickness (mm)	Slat stack height (cm)								
		50	75	100	125	150	175	200	225	250
16	X	6.1	7.0	7.9	8.8	9.7	10.6	11.5	12.4	13.3

Please note that the indicated stack heights may vary by up to 1cm.

System Options

Side guides for stabilising blind system and sloped applications (up to 15° from vertical)

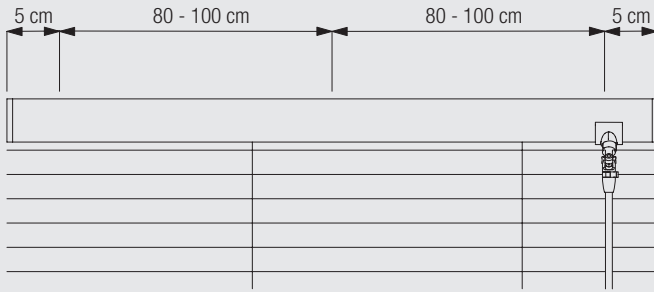


A and B: Fitting of side guides inside window frame
(A: detail eyelet / B: detail wireholder)
C: Fitting of side guides onto front of window frame

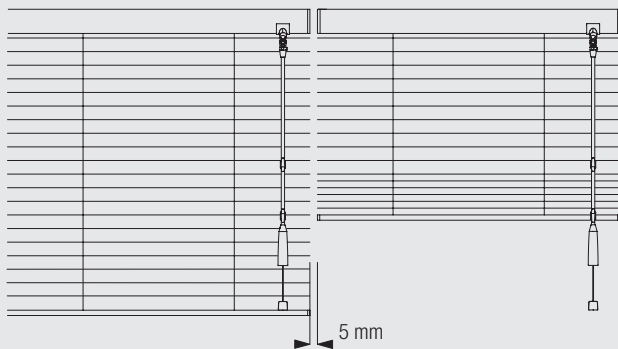
The system 8100 can be equipped with side-guide wires and can therefore also be used for sloped applications up to 15° incline from vertical.

Fitting Information

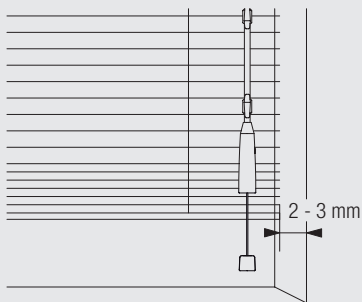
Bracket positioning



Side gaps when side-by-side fitting or recess fitting



The light gap between two systems when fitted side-by-side is only 5mm.



Distance from wall when recess fitting is 2-3mm.

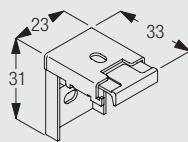
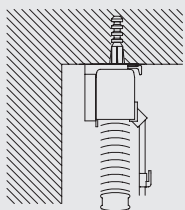


8100

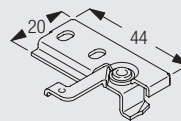
Fitting Options

CAD download through Silent Gliss website (password required) www.silentgliss.co.uk

Ceiling fix with bracket 8103 / 8149



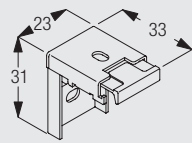
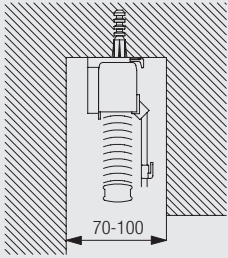
8103
Bracket (16mm)



8149
Bracket (44mm)

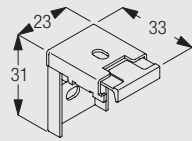
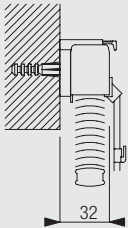
Please note: Optional bracket 8149 for inside window frame fitting.

Recess fix with bracket 8103



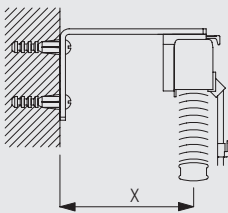
8103
Bracket (16mm)

Wall or window frame fix with bracket 8103

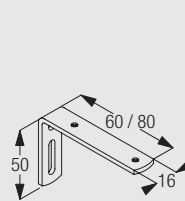


8103
Bracket (16mm)

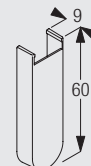
Wall fix with brackets 3134-35 and bracket 8103



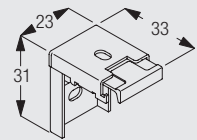
	X (mm)
3134	60
3135	80



3134-35
Brackets



3133
Bracket cover
(60mm)



8103
Bracket (16mm)



8100

Standard Accessories

8003 Bottom bar (16mm slats)



8006 Slat (16 mm)



8101 Profile



8103 Bracket (16mm)



Optional Accessories

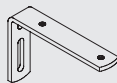
3133 Bracket cover (60mm)



3134 Extension bracket (60mm)



3135 Extension bracket (80mm)



6748 Cheese head machine screw (M4)

8128 Spacer (4°)



8129 Spacer (10°)



8149 Bracket (44mm)



8235 Wire base short

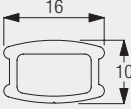


8236	Wire base long		8237	Wire holder	
8241	Eyelet		8249	Locking ring	
10120	Wire \varnothing 0.9 mm for side guide				

Useful Information

Control wands for the 8100 are available in the following fixed lengths:
 225mm, 385mm, 585mm, 785mm, 985mm, 1185mm, 1385mm, 1585mm and 1800mm.
 When ordering, please specify the length you require.

Useful Measurements

8003	Bottom bar (16mm slats)	
------	-------------------------	---

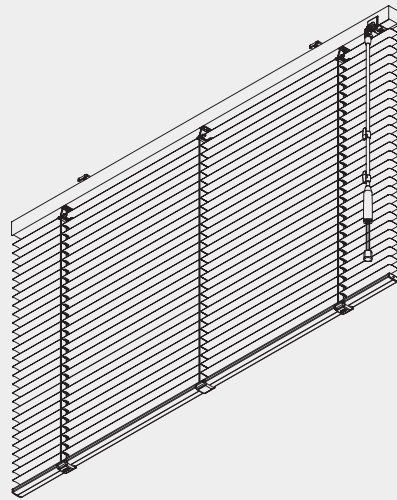




8100

Cord/Wand operated Venetian Blind System

Silent Gliss® 8110



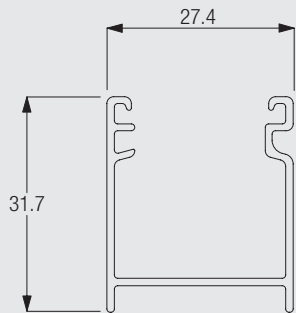
Product Information

- Venetian blind system for 16mm or 25mm aluminium slats
- Unique user-friendly control wand, combining tilt operation of slats with integrated cords for fast raising/lowering of the blind
- Left or right hand operation with various wand lengths available
- Available in 77 different slat colours
- The system 8110 can be equipped with side-guide wires and can therefore be used for sloped applications up to 15° incline from vertical
- Privacy feature (PC) standard for 25 mm slats, where the slats are punched to ensure no direct light penetration when slats are closed. The 8110 system is therefore ideal for use in offices and helps compliance with EC computer shading regulations
- Integrated brake enables precise and controlled lowering of slats
- Click mechanism ensures slats snap into the closed position which avoids gradual reopening



8110

Profile, Bending and Specification Information



10037



Cannot be bent

Specification Information - download from www.silentgliss.co.uk (password required).

Silent Gliss 8110 system wand control venetian blind. Overall widthcm, overall dropcm. Dual operation with control wand and integral cord LHS / RHS. Slat colour(s) to be chosen from Silent Gliss 16mm or 25mm range. System is to be fixed with snap-on-brackets 10101 to ceiling / wall at 800-1000mm intervals plus one at 50mm from each end.

System Dimensions and Slat Stack Height



2.5m (16mm slats)
3m (25mm slats)



28cm (16 and 25mm
slats)



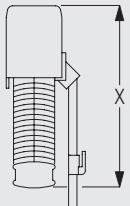


2.5m (16mm slats)
5m (25mm slats)



5m² (16mm slats)
7m² (25mm slats)

Slat stack height calculation

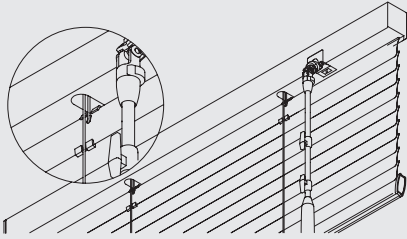
 8110			 (cm)											
			50	75	100	125	150	175	200	225	250	275	300	325
16	X	X	6.1	7.0	7.9	8.8	9.7	10.6	11.5	12.4	13.3			
25 (PC)	X	X	6.4	7.3	8.1	9.1	9.6	10.6	11.5	12.3	13.2	14.0	15.0	15.9

			 (cm)						
			350	375	400	425	450	475	500
16	X	X							
25 (PC)	X	X	16.7	17.6	18.4	19.3	20.2	21.0	21.9

Please note that the indicated stack heights may vary by up to 1cm.

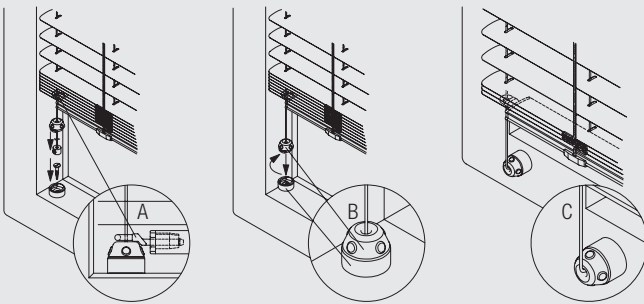
System Options

“Privacy feature” (PC) standard for 25mm slats



The slat holes are positioned to ensure no direct light penetration when slats are closed. The PC feature on 8110 is ideal for use in offices and helps compliance with EC computer shading regulations.

Side guides for stabilising blind system and sloped applications (up to 15° from vertical)

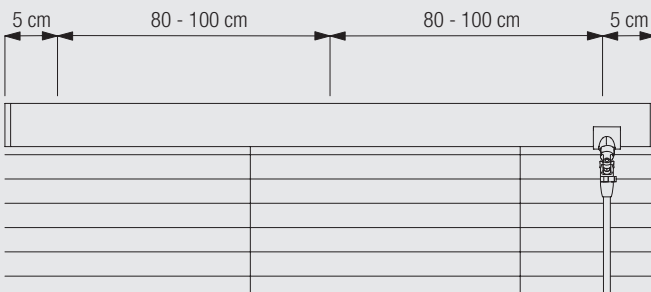


A and B: Fitting of side guides inside window frame
(A: detail eyelet / B: detail wireholder)
C: Fitting of side guides onto front of window frame

The system 8110 can be equipped with side-guide wires and can therefore also be used for sloped applications up to 15° incline from vertical.

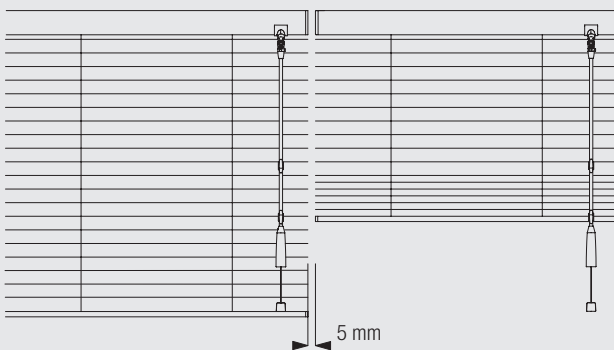
Fitting Information

Bracket positioning

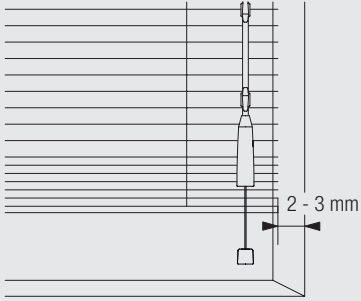


8110

Side gaps when side-by-side fitting or recess fitting



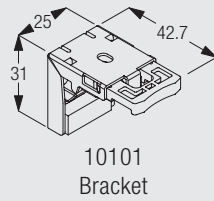
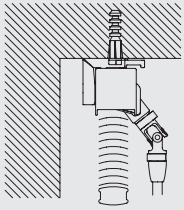
The light gap between two systems is 5mm when fitted side-by-side.



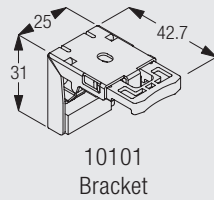
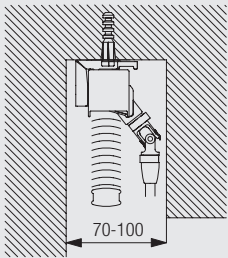
Distance from wall when recess fitting is 2-3mm.

Fitting Options

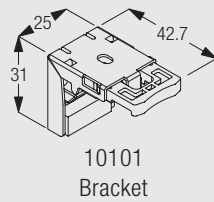
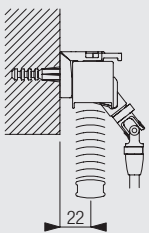
Ceiling fix with bracket 10101



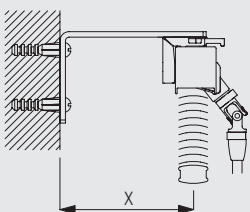
Recess fix with bracket 10101



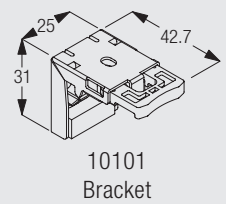
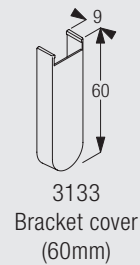
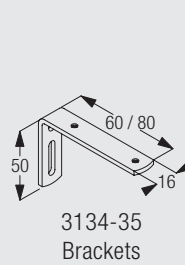
Wall or window frame fix with bracket 10101



Wall fix with brackets 3134-35 and bracket 10101



	X (mm)
3134	57-59
3135	77-79

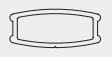


Standard Accessories

8003 Bottom bar (16mm slats)



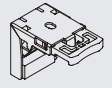
8004 Bottom bar (25mm slats)



10037 Profile



10101 Bracket

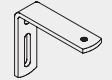


Optional Accessories

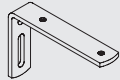
3133 Bracket cover (60mm)



3134 Bracket (60mm)



3135 Bracket (80mm)



3275 Adjustable extension bracket set (69mm)



3276 Adjustable extension bracket set (92mm)



6748 Cheese head machine screw (M4)

8235 Wire base short



8236 Wire base long



8237 Wire holder



8241 Eyelet



8249 Locking ring



10120 Wire \varnothing 0.9 mm for side guide



Useful Information

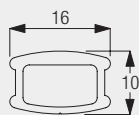
Control wands for the 8110 system are available in the following fixed lengths: 35cm, 51cm, 71cm, 91cm, 111cm, 131cm, 151cm, 171cm, 193cm. When ordering, please specify the length you require.



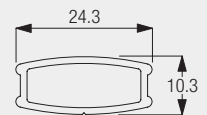
8110

Useful Measures

8003 Bottom bar (16mm slats)



8004 Bottom bar (25mm slats)

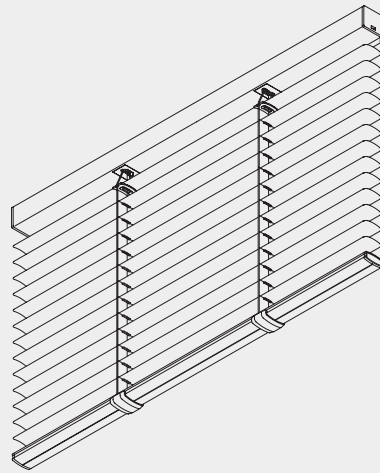




8110

Motorised Venetian Blind System

Silent Gliss® 8250



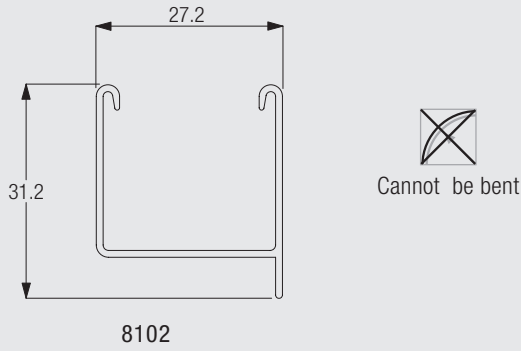
Product Information

- Electrically operated venetian blind system for 16mm or 25mm aluminium slats
- Available in 77 different slat colours. Also perforated slats available for 25mm slats
- The system can be used with a minimum width of 65cm, up to a height of 2m. With a minimum width of 80cm, the system can be used up to a height of 3.4m
- The maximum system width and surface are 3m and 5m²
- The system 8250 can be equipped with side-guide wires and can therefore be used for sloped applications up to 15° incline from vertical
- The top stack of the slats can measure up to 12% of the blind drop (depending on slat widths and make-up). Please refer to specific stack height charts
- The system can be easily fitted with snap brackets on ceilings or walls
- Delivered ready assembled
- Can be combined with Radio Remote Control System Silent Gliss 9940/0450



8250

Profile, Bending and Specification Information



Specification Information - download from www.silentgliss.co.uk (password required).

Silent Gliss 8250 system electrically operated venetian blind. Overall widthcm, overall dropcm. Operation by a 24 V DC motor Aluminium headrail incorporates a flange to minimise light ingress at top of blind. Slat colour(s) to be chosen from Silent Gliss 16mm or 25mm range. System is to be fixed with snap on brackets 8201 to ceiling/wall at 800-1000mm intervals plus one at 60mm from each end.

System Dimensions & Slat stack height



3m



65cm
(up to a height of 2m)



80cm
(up to a height of 3.4m)



3.4m



5m²

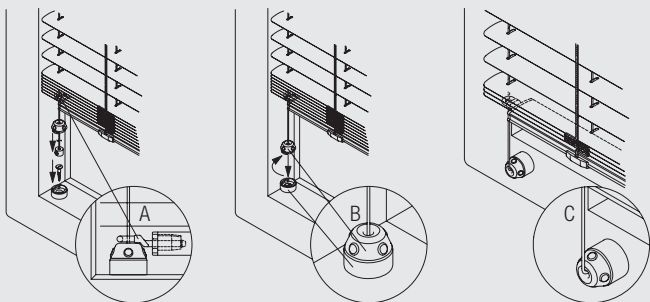
Slat stack height calculation

Slat Width (mm)	Slat Depth (mm)	Slat Stack Height (cm)													
		50	75	100	125	150	175	200	225	250	275	300	325	340	
16	X	6.1	7.0	7.9	8.8	9.7	10.6	11.5	12.4	13.3	14.2	15.1	16.0	16.9	
25	X	6.2	7.0	7.7	8.5	9.3	10.0	10.8	11.5	12.3	13.1	13.8	14.6	15.3	

Please note that the indicated stack heights may vary by up to 1cm.

System Options

Side guides for stabilising blind system and sloped applications (up to 15°) from vertical.

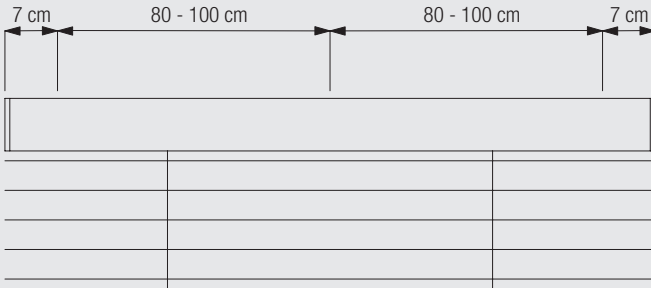


A and B: Fitting of side guides inside window frame
(A: detail eyelet / B: detail wireholder)
C: Fitting of side guides onto front of window frame

The system 8250 can be equipped with side-guide wires and can therefore also be used for sloped applications up to 15° incline from vertical.

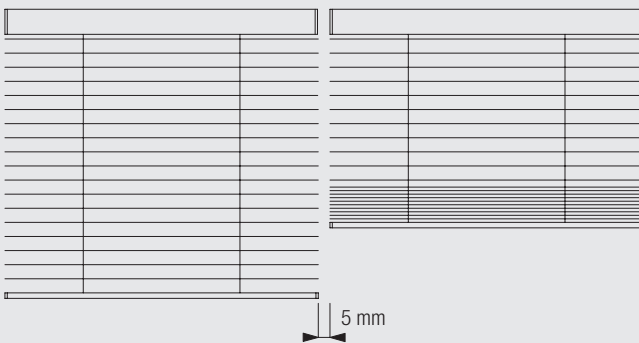
Fitting Information

Bracket positioning

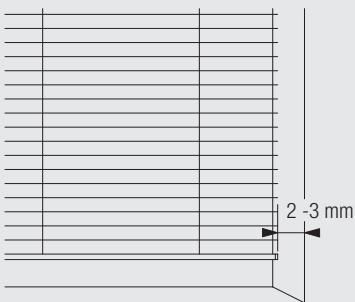


Attention: Never position the brackets 8201 on the take up reels.

Side gaps when side-by-side fitting or recess fitting



The light gap between two systems is only 5mm.



Distance from wall when recess fitting is 2-3mm.

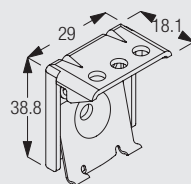
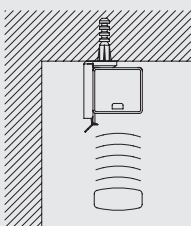


8250

Fitting Options

CAD download through Silent Gliss website (password required) www.silentgliss.co.uk

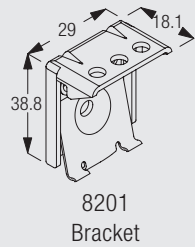
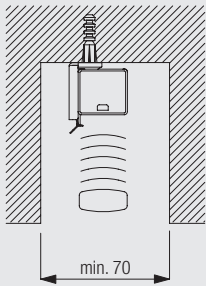
Ceiling fix with bracket 8201



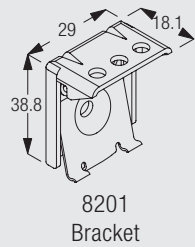
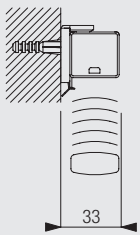
8201
Bracket

It is recommended that a distance of 50mm is allowed between the wall and the blind.

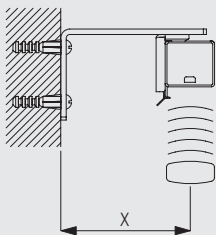
Recess fix with bracket 8201



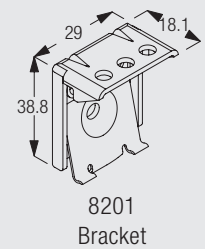
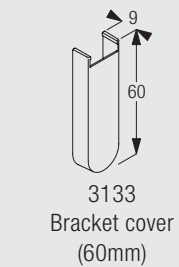
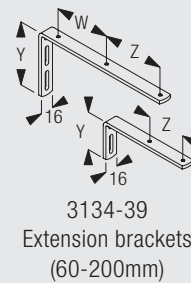
Wall or window frame fix with bracket 8201



Wall fix with brackets 3134-37 and bracket 8201

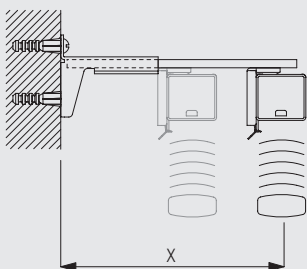


	x (mm)	W (mm)	Y (mm)	Z (mm)
3134	58	-	50	-
3135	78	-	50	50
3136	98	-	50	50
3137	118	-	80	50

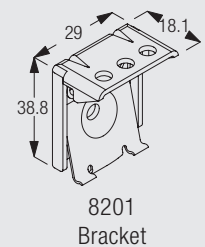
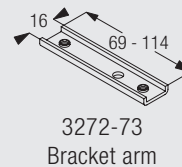
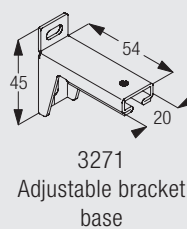


8250

Wall fix with extension brackets 3275-77



	x (mm)
Set 3275	73-98
Set 3276	90-121
Set 3277	120-151



Standard Accessories

8003	Bottom bar (16mm slats)		8004	Bottom bar (25mm slats)	
8102	Profile		8201	Bracket	
10283	Power supply 1.5 DC				

Optional Accessories

0937	Programmable switch incl. back box (0938)		3133	Bracket cover (60mm)	
3134	Extension bracket (60mm)		3135	Extension bracket (80mm)	
3136	Extension bracket (100mm)		3137	Extension bracket (120mm)	
3271	Adjustable bracket base		3272	Adjustable bracket arm (69mm)	
3273	Adjustable bracket arm (92mm)		3275	Adjustable extension bracket set (69mm)	
3276	Adjustable extension bracket set (92mm)		3277	Adjustable extension bracket set (122mm)	
8235	Wire base short		8236	Wire base long	
8237	Wire holder		8241	Eyelet	
8249	Locking ring		8262	Spacer (10°)	
8263	Spacer (4°)		10120	Wire ø 0.9 mm for side guide	

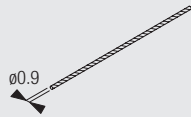


8250

Useful Measurements

8003	Bottom bar (16mm slats)		8004	Bottom bar (25mm slats)	
------	-------------------------	--	------	-------------------------	--

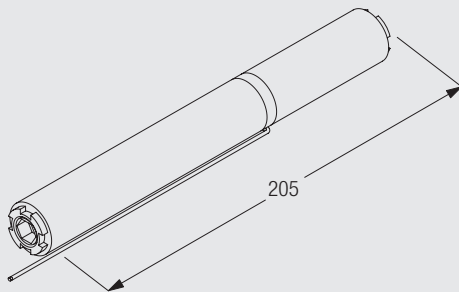
10120 Wire \varnothing 0.9 mm for side guide



Motorisation

The system 8250 is equipped with two different motor versions, depending on the size of the system.

Motor Silent Gliss 8060

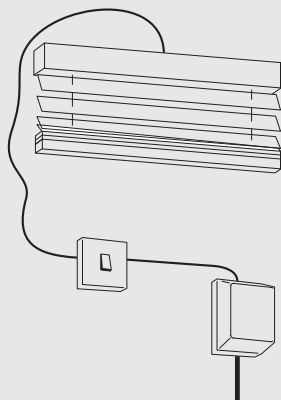


- Torque: 0.4 Nm / 0.8 Nm
- Voltage: 24 V DC
- Current: 0.45 A / 0.65 A
- Speed: 40 rpm / 30 rpm
- Overload Protection
- CE Standard
- No end limit setting
- Weight: 195 g

Operating Methods

Fixed switch

8250

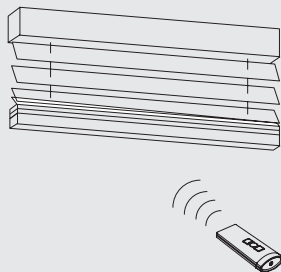


— Supply 230V (2 + $\frac{1}{2}$)
— Supply 24V dc (2 Core)

When using the fixed switch control for multiple blinds, when operating simultaneously, the blinds may not necessarily stop at precisely the same intermediate point, or tilt to the same angle. Top and bottom levels can be preset in alignment.

If this is a requirement of the system then it is recommended that System 0450 Radio Controls is used with individual and simultaneous switching.

Radio Remote Control with Systems 9940/0450



The 8060 motor (24V) system can be combined with the Radio Remote Control System Silent Gliss 9940/0450. For further details, please refer to catalogue section "Motors & Controls".

Wiring and Connections

Important: Wiring diagrams are available at www.silentgliss.co.uk (password required).



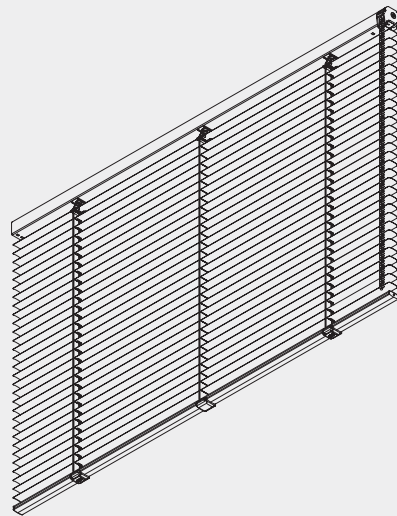
8250



8250

Chain Operated Venetian Blind System

Silent Gliss® 8300



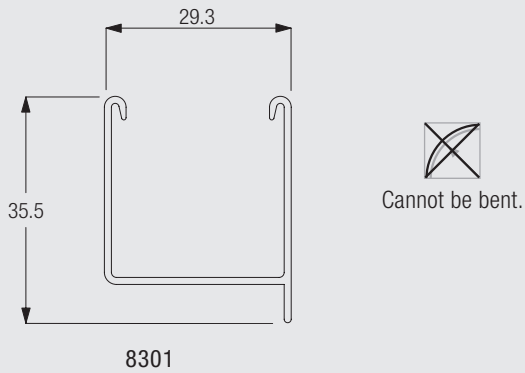
Product Information

- Mono controlled, chain operated venetian blind system for 16mm or 25mm aluminium slats
- One single metal chain controls raising/lowering of slats and tilting. Left or right hand operation
- Available in 77 different slat colours. Also perforated slats available for 25mm slats
- The control mechanism on the front of the headrail not only offers easy access and operation but also enables side-by-side mounting of systems with a minimized light gap
- The system 8300 can be equipped with side-guide wires and can therefore be used for sloped applications up to 15° incline from vertical
- Easily fitted with snap brackets to ceiling or wall



8300

Profile Information, Bending and Specification Information



Specification Information - download from www.silentgliss.co.uk (password required).

Silent Gliss 8300 system mono controlled chain operated venetian blind. Overall widthcm, overall dropcm. Single chain operation RHS / LHS. Aluminium headrail to incorporate flange to minimise light ingress at top of blind. Slat colour(s) to be chosen from Silent Gliss 16mm / 25mm range. System is to be fixed with snap-on-brackets 8302 to ceiling / wall at 800-1000mm intervals plus one at 70mm from each end.

System Dimensions and Slat Stack Height



3m



50cm



3m



4.5m²

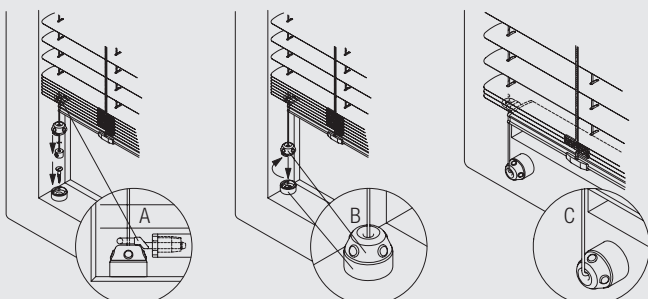
Slat stack height calculation

Slat Height (mm)	X	Slat Stack Height (cm)										
		50	75	100	125	150	175	200	225	250	275	300
16	X	6.6	7.5	8.4	9.3	10.2	11.1	12.0	12.9	13.8	14.7	15.6
25	X	6.7	7.5	8.2	9.0	9.8	10.5	11.3	12.0	12.8	13.6	14.3

Please note that the indicated stack heights may vary by up to 1cm.

System Options

Side guides for stabilising blind system and sloped applications (up to 15° from vertical)

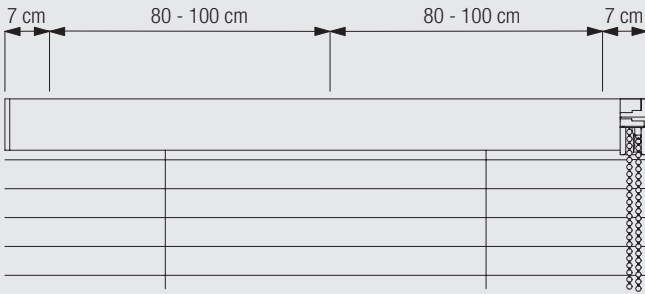


A and B: Fitting of side guides inside window frame
 (A: detail eyelet / B: detail wireholder)
 C: Fitting of side guides onto front of window frame

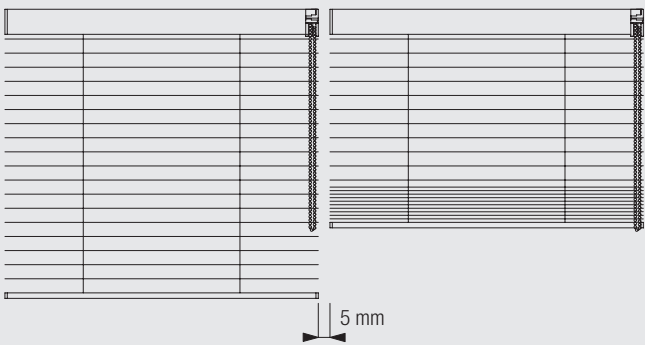
The system 8300 can be equipped with side-guide wires and can therefore also be used for sloped applications up to 15° incline from vertical.

Fitting Information

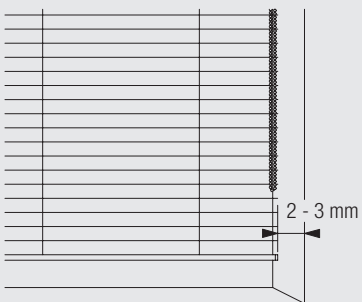
Bracket positioning



Side gaps when side-by-side fitting or recess fitting



The light gap between two systems is 5mm when fitted side-by-side.



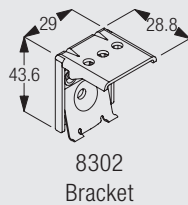
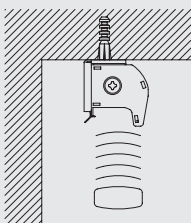
Distance from wall when recess fitting is 2-3mm.



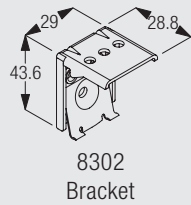
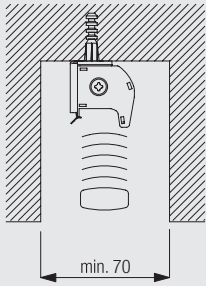
8300

Fitting Options

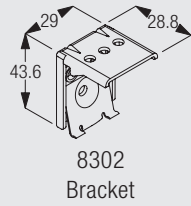
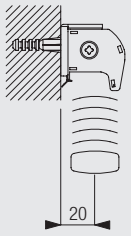
Ceiling fix with bracket 8302



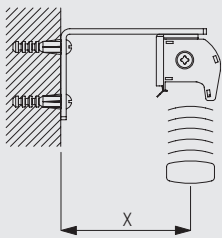
Recess fix with bracket 8302



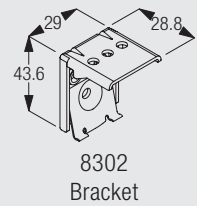
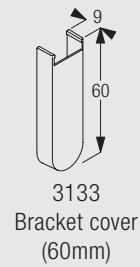
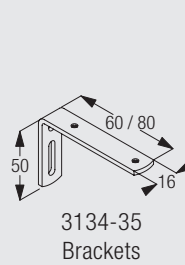
Wall or window frame fix with bracket 8302



Wall fix with brackets 3134-35 and bracket 8302



	X (mm)
3134	59
3135	79



8300

Standard Accessories

0998 Safety Cord Retainer



8003 Bottom bar (16mm slats)



8004 Bottom bar (25mm slats)



8301 Profile



8302 Bracket

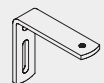


Optional Accessories

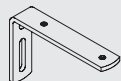
3133 Bracket cover (60mm)



3134 Bracket (60mm)



3135 Bracket (80mm)



8235 Wire base short



8236 Wire base long



8237 Wire holder



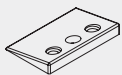
8241 Eyelet



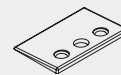
8249 Locking ring



8262 Spacer (10°)



8263 Spacer (4°)

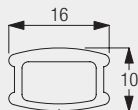


10120 Wire \varnothing 0.9 mm for side guide

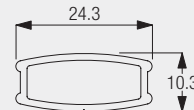


Useful Measures

8003 Bottom bar (16mm slats)



8004 Bottom bar (25mm slats)



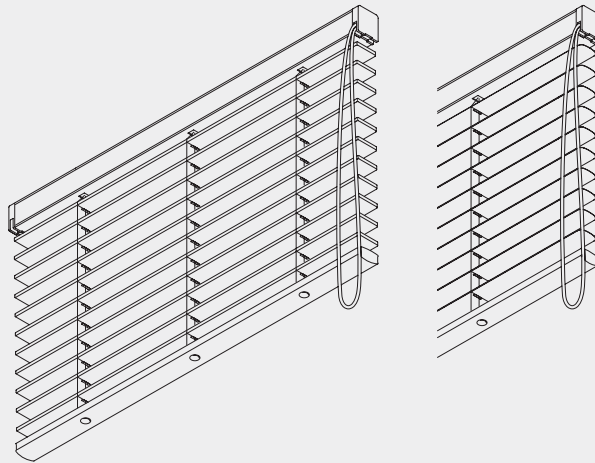
8300



8300

Cord Operated Venetian Blind System

Silent Gliss® 8900 Wood & Aluminium



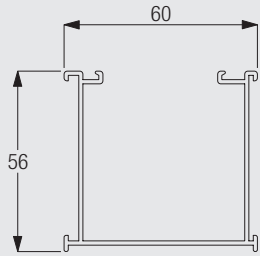
Product Information

- Mono controlled venetian blind system - one single cord permits raising, lowering and tilting of the slats
- Available with real wood slats (25mm or 50mm) or aluminium slats (50mm)
- Matching slat is inserted in to the headrail, preventing the need for a cumbersome valance
- Right or left hand operation
- Made to measure
- Attractive slat colour choice
- The wooden slats can be made flame retardant (extra costs)
- Available with fabric tapes (50mm only)
- Side-guide option available



8900

Profile, Bending and Specification Information



8901



Cannot be bent

Specification Information - download from www.silentgliss.co.uk (password required).

Silent Gliss 8900 system mono control Venetian blind. Overall widthcm, overall dropcm. Single cord operation RHS/LHS. Aluminium headrail incorporating matching slat. Slat colour to be chosen from Silent Gliss 50mm range. System to be fixed with Silent Gliss universal brackets 0511 to ceiling or wall at 450mm intervals plus one at 100mm from each end.

System Dimensions & Stack Size Calculation



243cm (Wood)
360cm (Alu)



28cm
45cm with tapes



275cm (Wood)
360cm (Alu)



4.4sqm (Wood 25mm)
4.6sqm (Wood 50mm)
10sqm (Alu)

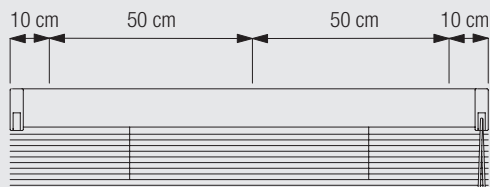
Slat stack height calculation

Material	Slat width		Blind Drop							
			60cm	90cm	120cm	150cm	180cm	210cm	240cm	270cm
Wooden	25mm	X	15.5cm	21.0cm	26.0cm	31.5cm	36.5cm	42.0cm	47.0cm	52.5cm
	50mm	X	12.0cm	14.5cm	17.0cm	19.5cm	22.0cm	24.5cm	27.0cm	29.5cm
	Aluminium									
Aluminium			100cm	200cm	300cm					
	50mm	X	10.2cm	13.2cm	16.7cm					

Please be aware that when tapes are used on venetian blinds, the stack size will be larger than the above stated figures.

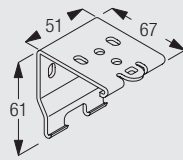
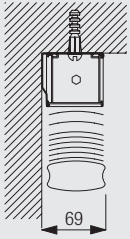
Fitting Information

Bracket positioning



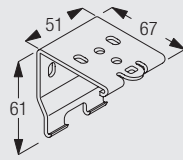
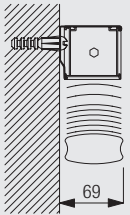
Fitting Options

Ceiling fix



0511
Universal bracket

Wall fix



0511
Universal bracket

Please note: When fitting in a recess, a minimum gap of 90mm must be allowed.

Standard Accessories

0511 Universal bracket



0998 Safety Cord Retainer



8901 Profile



8900

Optional Accessories

3799 Cord Tidy



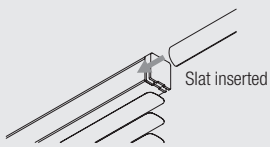
Colour / Wood Coordination Options

Slat Finish	Slat Colour / Wood Finish	Headrail Colour	Headrail Endcovers	Bottom Rail Colour	Bottom Rail Endcovers	Operating Cord Colour	Tilter	Lift Tape	Ladder Braid	Brackets	Tape Colour (Only for 50mm wooden slats)
Wooden	Soft White	White	White	Soft White	-	White	White	White	-	White	Off white
	Antique Pine	Bronze	Black	Antique Pine	-	Brown	Brown	Brown	-	Brown	Sahara
	Vintage Maple	Bronze	Black	Vintage Maple	-	Brown	Brown	Brown	-	Brown	Wheat
	Harvest Oak	Bronze	Black	Harvest Oak	-	Brown	Brown	Brown	-	Brown	Dark Beige
	Almond Rustic	Vanilla	Vanilla	Almond Rustic	-	Vanilla	Vanilla	Vanilla	-	Vanilla	Raw Linen
	Cool Oak	Bronze	Black	Cool Oak	-	Brown	Brown	Brown	-	Brown	Dark Brown
	Dark Walnut	Bronze	Black	Dark Walnut	-	Brown	Brown	Brown	-	Brown	Dark Brown
	Platinum	White	White	Platinum	-	White	White	White	-	White	-
	Antique Gold	Bronze	Black	Antique Gold	-	Brown	Brown	Brown	-	Brown	-
	Fired Copper	Bronze	Black	Fired Copper	-	Brown	Brown	Brown	-	Brown	-
	So Natural	Bronze	Black	So Natural	-	Brown	Brown	Brown	-	Brown	Sahara
	Sugar Maple	Bronze	Black	Sugar Maple	-	Brown	Brown	Brown	-	Brown	Golden Oak
	Light Oak	Bronze	Black	Light Oak	-	Brown	Brown	Brown	-	Brown	Wheat
	Cottage Pine	Bronze	Black	Cottage Pine	-	Brown	Brown	Brown	-	Brown	Wheat
	Warm Oak	Bronze	Black	Warm Oak	-	Brown	Brown	Brown	-	Brown	Toffee
	Burnished Maple	Bronze	Black	Burnished Maple	-	Brown	Brown	Brown	-	Brown	Toffee
	Natural Cherry	Bronze	Black	Natural Cherry	-	Brown	Brown	Brown	-	Brown	Dark Brown
	Rustic Mahogany	Bronze	Black	Rustic Mahogany	-	Brown	Brown	Brown	-	Brown	Maroon
	Pale Pecan	Bronze	Black	Pale Pecan	-	Brown	Brown	Brown	-	Brown	Dark Brown
	Walnut	Bronze	Black	Walnut	-	Brown	Brown	Brown	-	Brown	Dark Brown
	Raw Wenge	Bronze	Black	Raw Wenge	-	Brown	Brown	Brown	-	Brown	Dark Brown
	Alpine	White	White	Alpine	-	White	White	White	-	White	Off White
	White	White	White	White	-	White	White	White	-	White	White
	Bleached	Vanilla	Vanilla	Bleached	-	Vanilla	Vanilla	Vanilla	-	Vanilla	Off White
	Linen	Vanilla	Vanilla	Linen	-	Vanilla	Vanilla	Vanilla	-	Vanilla	Off White
	Alabaster	Vanilla	Vanilla	Alabaster	-	Vanilla	Vanilla	Vanilla	-	Vanilla	Alabaster
	Sandwashed	Vanilla	Vanilla	Sandwashed	-	Vanilla	Vanilla	Vanilla	-	Vanilla	Raw Linen
Pale Pink	Vanilla	Vanilla	Pale Pink	-	Vanilla	Vanilla	Vanilla	-	Vanilla	White	
Aqua	Vanilla	Vanilla	Aqua	-	Vanilla	Vanilla	Vanilla	-	Vanilla	White	
Pale Green	Vanilla	Vanilla	Pale Green	-	Vanilla	Vanilla	Vanilla	-	Vanilla	Celadon	
Black	Bronze	Black	Black	-	Brown	Brown	Brown	-	Brown	Black	
Light Blue	Vanilla	Vanilla	Light Blue	-	Vanilla	Vanilla	Vanilla	-	Vanilla	Alice Blue	
Green	Bronze	Black	Green	-	Brown	Brown	Brown	-	Brown	Forest	
Alu	Grey	White	White	Grey	-	White	White	White	-	White	-
	White	White	White	White	White	White	Vanilla	White	White	White	-
	Silver	Silver	Silver	Silver	White	Vanilla	White	White	White	White	-
	Black	Brown	Black	Black	Neutral	Brown	Black	Brown	Black	Brown	-
	Cream	Vanilla	Vanilla	Vanilla	Neutral	Vanilla	Vanilla	Vanilla	Vanilla	Vanilla	-



8900

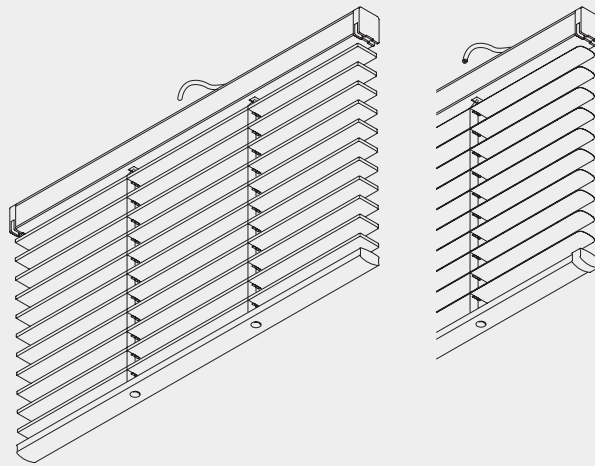
* These colour combinations are recommended, however any other combination is available. Various components can also be colour coordinated/painted at extra cost.



An actual slat is inserted into the headrail for perfect matching of colours and materials to avoid the need to fit a cumbersome valance.

Motorised Venetian Blind System

Silent Gliss® 8950 Wood & Aluminium



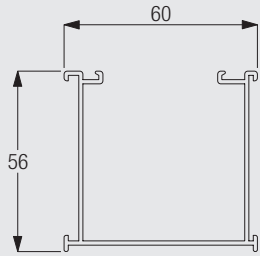
Product Information

- Motorised venetian blind system
- Available with real wood slats (25mm or 50mm) or aluminium slats (50mm)
- Matching slat is inserted into the headrail to avoid the need for a cumbersome valance
- Attractive slat colour choice
- The wooden slats can be made flame retardant (extra cost)
- Side-guide option available
- Made to measure
- Available with fabric tapes (50mm only)
- Can be controlled with Radio Remote Control System Silent Gliss 9940/0450



8950

Profile, Bending and Specification Information



8901



Cannot be bent

Specification Information - download from www.silentgliss.co.uk (password required).

Silent Gliss 8950 system electrically operated Venetian blind. Overall widthcm, overall dropcm. Aluminium headrail incorporating matching slat. Slat colour to be chosen from Silent Gliss 50mm range. System to be fixed with Silent Gliss universal brackets 0511 to ceiling or wall at 450mm intervals plus one at 100mm from each end. Supplied with switch 0613 and in-line connector 0766 as standard.

System Dimensions & Stack Size Calculation



243cm (Wood)
360cm (Alu)



56cm
75cm with tapes



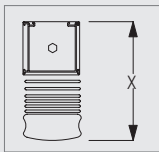
275cm (Wood)
360cm (Alu)



4.4sqm (Wood 25mm)
4.6sqm (Wood 50mm)
10sqm (Alu)

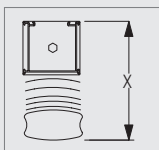
Slat stack height calculation

Wooden



Slat width		Blind Drop							
		60cm	90cm	120cm	150cm	180cm	210cm	240cm	270cm
25mm	X	15.5cm	21.0cm	26.0cm	31.5cm	36.5cm	42.0cm	47.0cm	52.5cm
50mm	X	12.0cm	14.5cm	17.0cm	19.5cm	22.0cm	24.5cm	27.0cm	29.5cm

Aluminium

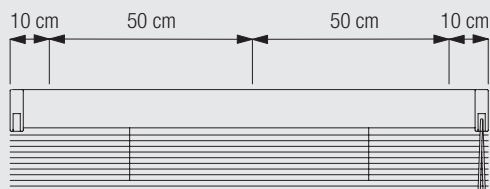


Slat width		Blind Drop		
		100cm	200cm	300cm
50mm	X	10.2cm	13.2cm	16.7cm

Please be aware that when tapes are used on venetian blinds, the stack size will be larger than the above stated figures.

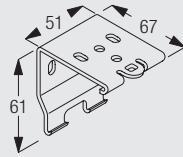
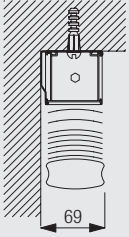
Fitting Information

Bracket positioning



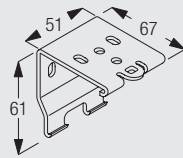
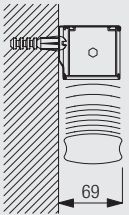
Fitting Options

Ceiling fix



0511
Universal bracket

Wall fix



0511
Universal bracket

Please note: If fitting in a recess, a minimum gap of 90mm must be allowed.

Standard Accessories

0511 Universal bracket



0613 5-position switch



0766 In-line connector (complete/no lead)



8901 Profile



8950

Optional Accessories

0565 Non-latching switch



0578 Pattress box



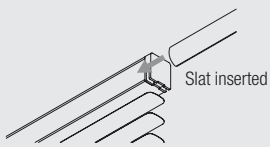
5742 Klik socket



Colour / Wood Coordination Options

Slat Finish	Slat Colour / Wood Finish	Headrail Colour	Headrail Endcovers	Bottom Rail Colour	Bottom Rail Endcovers	Operating Cord Colour	Tilter	Lift Tape	Ladder Braid	Brackets	Tape Colour (Only for 50mm wooden slats)
Wooden	Soft White	White	White	Soft White	-	White	White	White	-	White	Off white
	Antique Pine	Bronze	Black	Antique Pine	-	Brown	Brown	Brown	-	Brown	Sahara
	Vintage Maple	Bronze	Black	Vintage Maple	-	Brown	Brown	Brown	-	Brown	Wheat
	Harvest Oak	Bronze	Black	Harvest Oak	-	Brown	Brown	Brown	-	Brown	Dark Beige
	Almond Rustic	Vanilla	Vanilla	Almond Rustic	-	Vanilla	Vanilla	Vanilla	-	Vanilla	Raw Linen
	Cool Oak	Bronze	Black	Cool Oak	-	Brown	Brown	Brown	-	Brown	Dark Brown
	Dark Walnut	Bronze	Black	Dark Walnut	-	Brown	Brown	Brown	-	Brown	Dark Brown
	Platinum	White	White	Platinum	-	White	White	White	-	White	-
	Antique Gold	Bronze	Black	Antique Gold	-	Brown	Brown	Brown	-	Brown	-
	Fired Copper	Bronze	Black	Fired Copper	-	Brown	Brown	Brown	-	Brown	-
	So Natural	Bronze	Black	So Natural	-	Brown	Brown	Brown	-	Brown	Sahara
	Sugar Maple	Bronze	Black	Sugar Maple	-	Brown	Brown	Brown	-	Brown	Golden Oak
	Light Oak	Bronze	Black	Light Oak	-	Brown	Brown	Brown	-	Brown	Wheat
	Cottage Pine	Bronze	Black	Cottage Pine	-	Brown	Brown	Brown	-	Brown	Wheat
	Warm Oak	Bronze	Black	Warm Oak	-	Brown	Brown	Brown	-	Brown	Toffee
	Burnished Maple	Bronze	Black	Burnished Maple	-	Brown	Brown	Brown	-	Brown	Toffee
	Natural Cherry	Bronze	Black	Natural Cherry	-	Brown	Brown	Brown	-	Brown	Dark Brown
	Rustic Mahogany	Bronze	Black	Rustic Mahogany	-	Brown	Brown	Brown	-	Brown	Maroon
	Pale Pecan	Bronze	Black	Pale Pecan	-	Brown	Brown	Brown	-	Brown	Dark Brown
	Walnut	Bronze	Black	Walnut	-	Brown	Brown	Brown	-	Brown	Dark Brown
	Raw Wenge	Bronze	Black	Raw Wenge	-	Brown	Brown	Brown	-	Brown	Dark Brown
	Alpine	White	White	Alpine	-	White	White	White	-	White	Off White
	White	White	White	White	-	White	White	White	-	White	White
	Bleached	Vanilla	Vanilla	Bleached	-	Vanilla	Vanilla	Vanilla	-	Vanilla	Off White
	Linen	Vanilla	Vanilla	Linen	-	Vanilla	Vanilla	Vanilla	-	Vanilla	Off White
	Alabaster	Vanilla	Vanilla	Alabaster	-	Vanilla	Vanilla	Vanilla	-	Vanilla	Alabaster
	Sandwashed	Vanilla	Vanilla	Sandwashed	-	Vanilla	Vanilla	Vanilla	-	Vanilla	Raw Linen
Pale Pink	Vanilla	Vanilla	Pale Pink	-	Vanilla	Vanilla	Vanilla	-	Vanilla	White	
Aqua	Vanilla	Vanilla	Aqua	-	Vanilla	Vanilla	Vanilla	-	Vanilla	White	
Pale Green	Vanilla	Vanilla	Pale Green	-	Vanilla	Vanilla	Vanilla	-	Vanilla	Celadon	
Black	Bronze	Black	Black	-	Brown	Brown	Brown	-	Brown	Black	
Light Blue	Vanilla	Vanilla	Light Blue	-	Vanilla	Vanilla	Vanilla	-	Vanilla	Alice Blue	
Green	Bronze	Black	Green	-	Brown	Brown	Brown	-	Brown	Forest	
Alu	Grey	White	White	Grey	-	White	White	White	-	White	-
	White	White	White	White	White	White	Vanilla	White	White	White	-
	Silver	Silver	Silver	Silver	White	Vanilla	White	White	White	White	-
	Black	Brown	Black	Black	Neutral	Brown	Black	Brown	Black	Brown	-
	Cream	Vanilla	Vanilla	Vanilla	Neutral	Vanilla	Vanilla	Vanilla	Vanilla	Vanilla	-

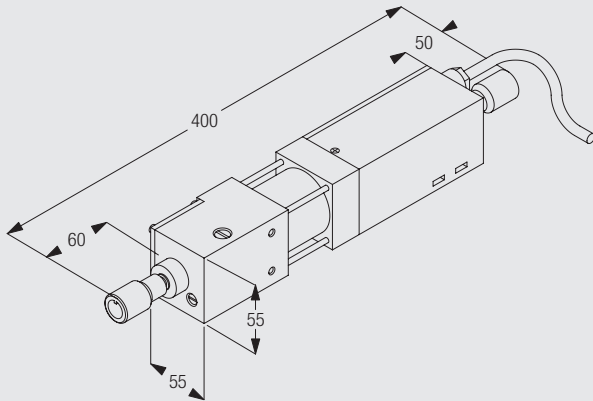
* These colour combinations are recommended, however any other combination is available. Various components can also be colour coordinated/painted at extra cost.



An actual slat is inserted into the headrail for perfect matching of colours and materials to avoid the need to fit a cumbersome valance.

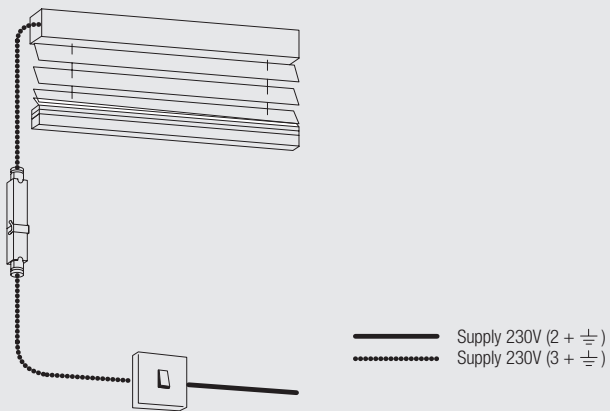
Motorisation

Silent Gliss motor 0611



- Torque: 2 x 4.5Nm
- Voltage: 230V 50Hz
- Current: 0.57A
- Thermal overload protection
- CE Standard
- Mechanical limit setting
- Weight: 2kg

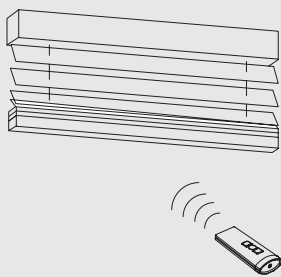
Fixed switch



Where multiple blinds are to be operated simultaneously, it is recommended that system 0450 or 9940 radio controls are used.

For equal slat tilting it is necessary to use individual or individual and simultaneous switching

Radio Control with Silent Gliss Systems 9940/0450



This system can be combined with the Radio Remote Control Systems Silent Gliss 9940/0450 with minimum wiring. For further details, please refer to catalogue section "Motors & Controls".

Wiring and Connections

Important: Wiring diagrams are available on the Silent Gliss website www.silentgliss.co.uk (password required). Please contact Silent Gliss for information on access.



8950