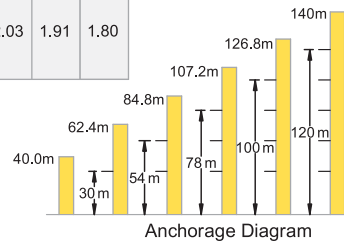


TC 5040 Tower Crane

5 t

Load Capacity

Jib Length 50m	Radius (m)	2.5~16	18	20	22	24	26	28	30	32	34	36	38	40	42	44	46	48	50	
	Hoisting Load (t)	5.00	4.56	4.04	3.62	3.27	2.97	2.72	2.50	2.31	2.15	2.00	1.87	1.75	1.64	1.54	1.46	1.37	1.30	
Jib Length 44m	Radius (m)	2.5~18	20	22	24	26	28	30	32	34	36	38	40	42	44					
	Hoisting Load (t)	5.00	4.62	4.14	3.74	3.41	3.13	2.88	2.67	2.48	2.31	2.16	2.03	1.91	1.80					
Jib Length 38m, 32m, 26m	Radius (m)	2.5~18	20	22	24	26	28	30	32	34	36	38								
	Hoisting Load (t)	5.00	4.88	4.38	3.96	3.61	3.31	3.05	2.83	2.63	2.46	2.30								



Note:-

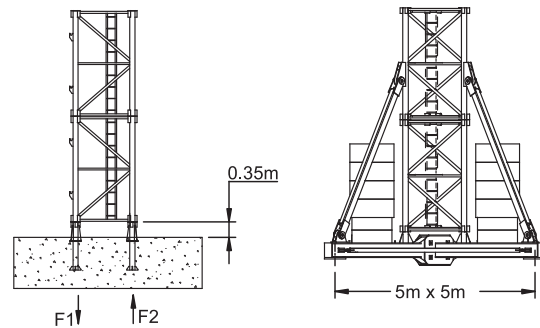
TC 5040 is also available with 32 Mtrs & 26 Mtrs Jib length optionally

Specifications

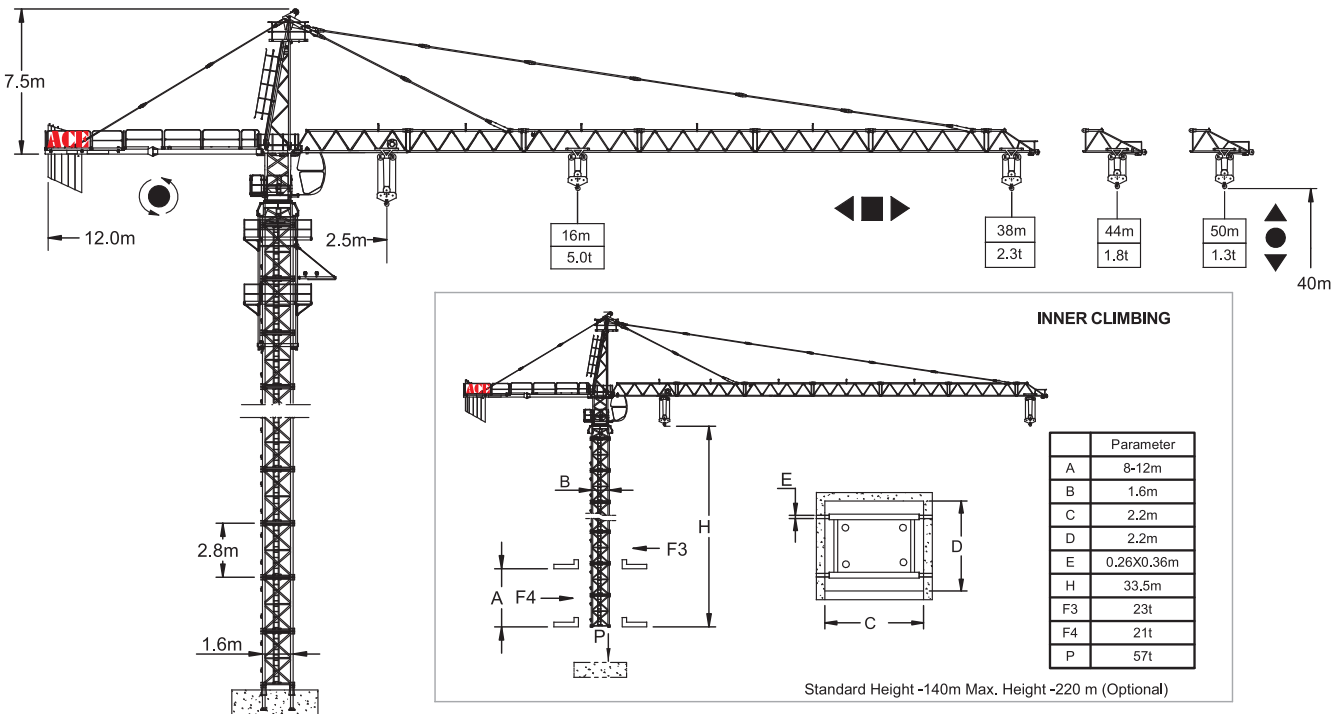
Hoisting	No of Falls						
	Speed (m/min)	11.75	40	80	5.87	20	40
	Hoisting Load (t)	2.5	2.5	1.28	5	5	2.56
	Power (kw)	5	18	18	5	18	18
Slewing	Speed (rpm)	0 ~ 0.6					
	Power (kw)	5.5					
Trolley	Speed (m/min)	40		20			
	Power (kw)	3.3		2.2			
Climbing	Speed (m/min)	0.55 - 0.7					
	Power (kw)	5.5					
Main Supply	415V / 50Hz						
Electric Power	26.8kw (33.5kVA)						
Optional	6 Ton Max. Capacity Mechanism at 14.16m						

Outrigger Stationary

Chassis Stationary/Rail Mounted



F1		68t		86t		31t
F2		46t		71t		



F Reaction In Service Out of Service Dead weight without load and counter weights but with longest jib and free standing height.

P - Vertical load