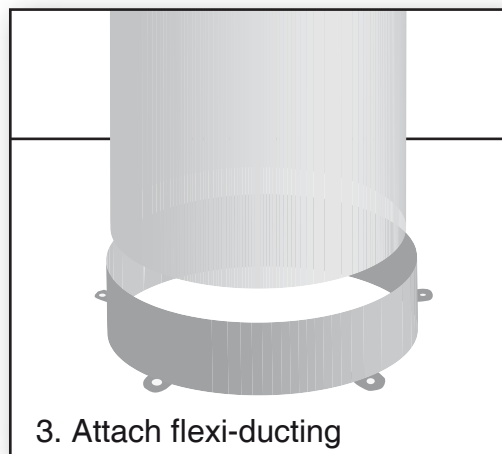
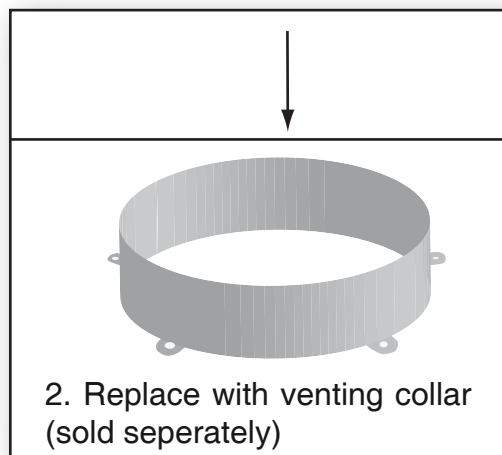
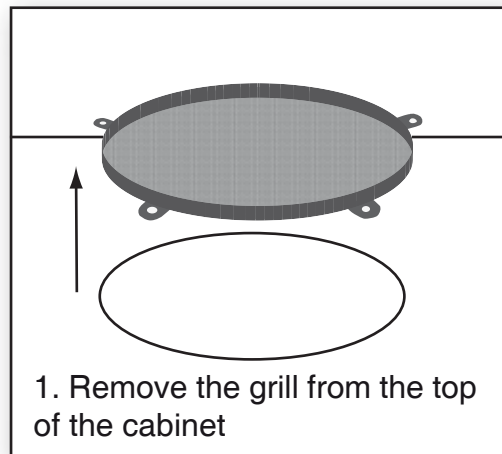
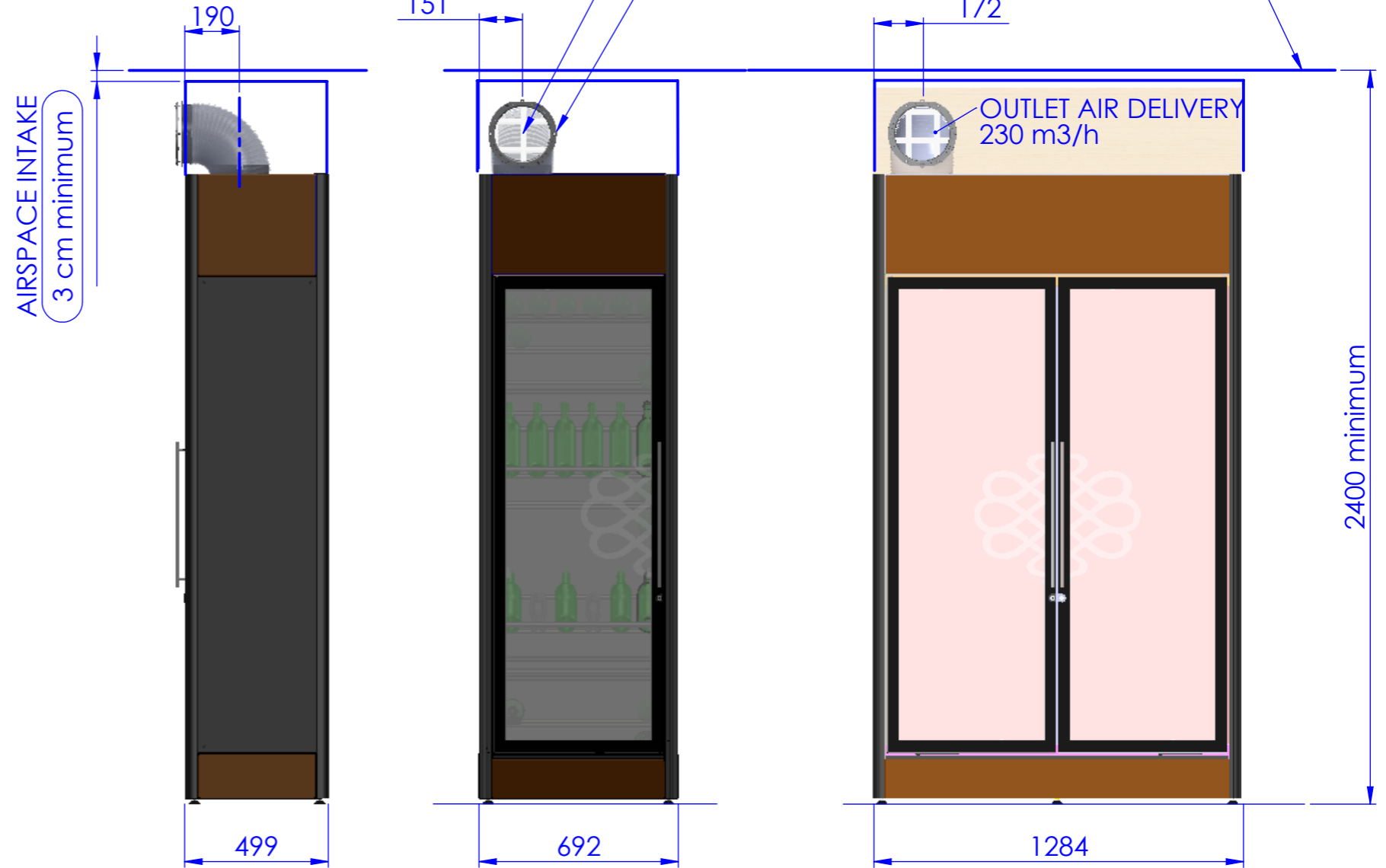
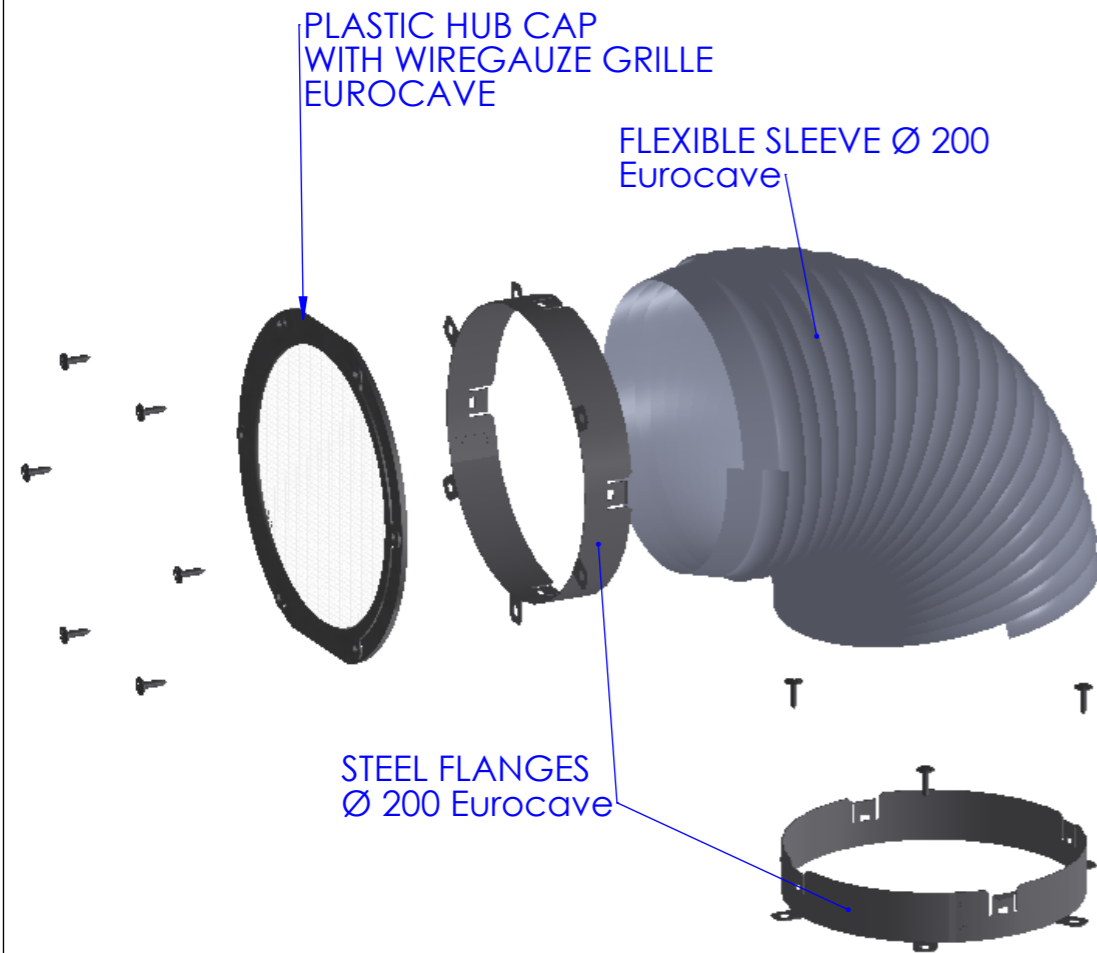


Existing grill on the top of the cabinet



# ADVISED BUILT-IN INSTALLATION

## AIR OUTLET KIT

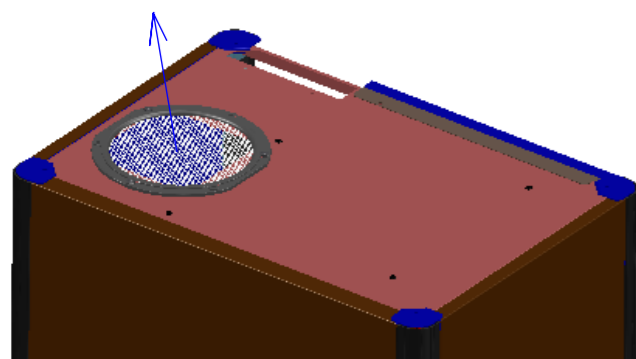


| DIMENSIONS OF SHOWCAVE PUT TOGETHER WITH FIXING PLATE | LENGTH en mm |
|---|--------------|
| 2 doors + 1 door                                      | 1992         |
| 2 doors + 2 doors                                     | 2584         |
| 1 door + 1 door                                       | 1400         |
| 1 door + 2 doors + 1 door                             | 2700         |

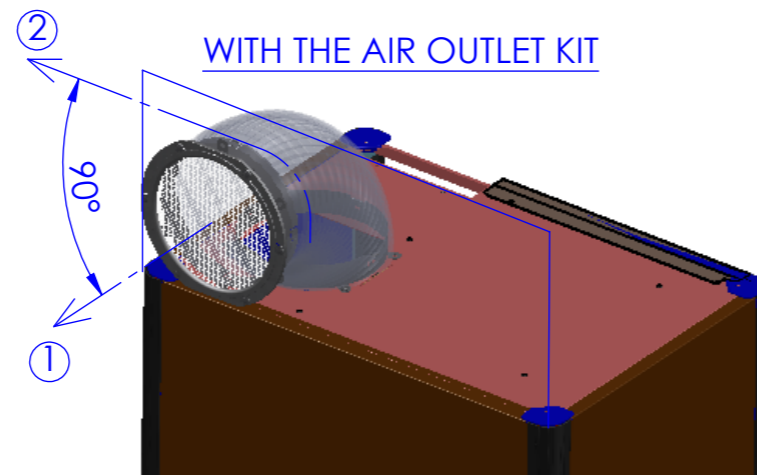
**NOTICE : FOR THIS TYPE OF INSTALLATION , YOU HAVE TO RESPECT :**

- THE MINIMUM HEIGHT UNDER THE CEILING HAS TO BE 2400 mm
- THE AIRSPACE INTAKE HAS TO BE 30mm MINIMUM ON THE WHOLE LENGTH
- FOR AESTHETIC REASON , THE OUTLET AIR HOLE CAN BE ON THE LEFT SIDE

WITHOUT THE AIR OUTLET KIT



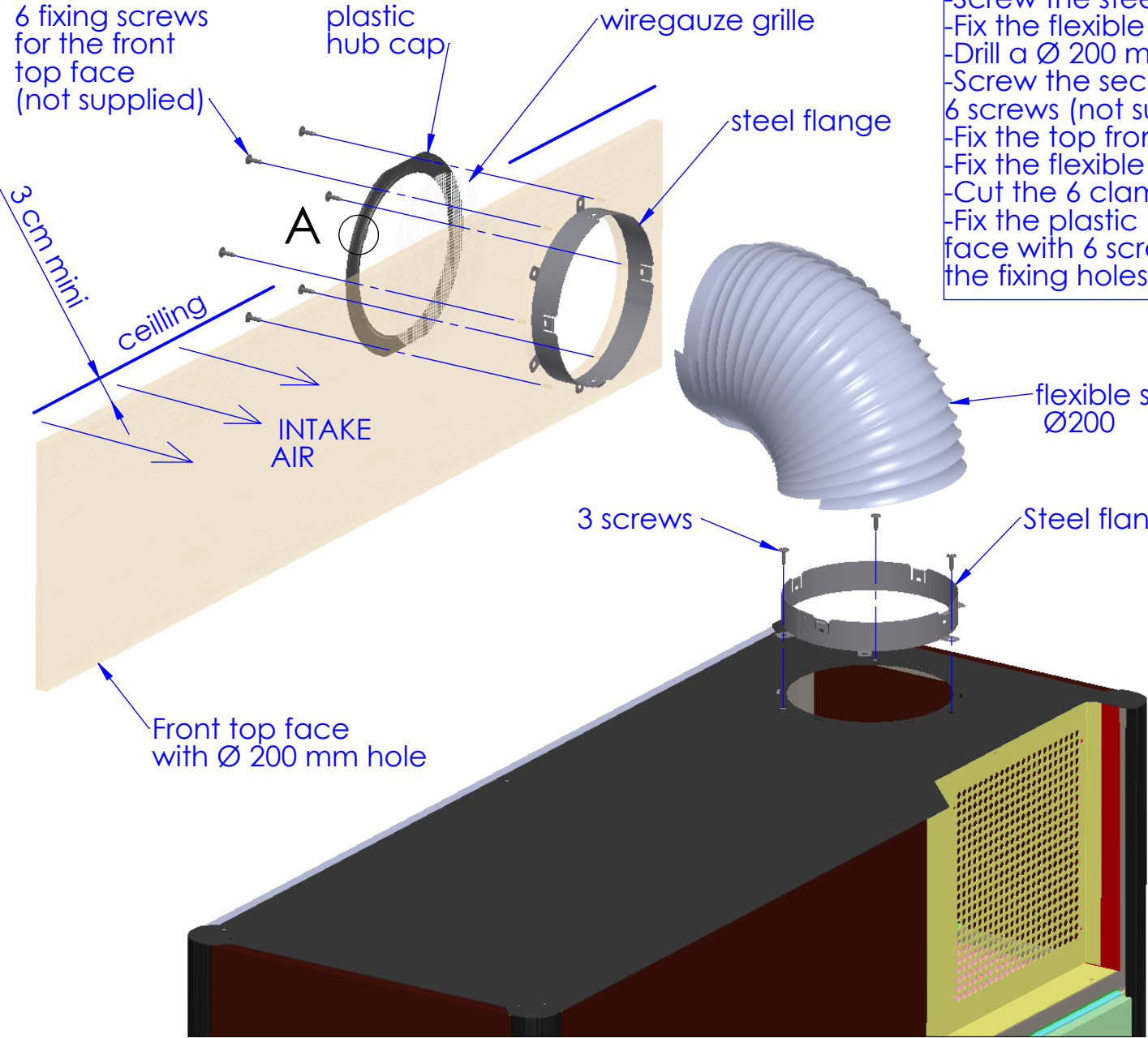
WITH THE AIR OUTLET KIT



|                            |                     |                                      |  |
|----------------------------|---------------------|--------------------------------------|--|
| 1                          | test de commentaire | 04/01/2013                           | hen                                      |
| Material:-                 |                     |                                      |  |
| Drawing number:<br>E-31601 | Article<br>x        | 3D Number / Révision.<br>E-28051/    | Weight:g<br>Volume: mm3<br>Scale<br>1:20 |
| General Tolérances:<br>-   |                     | SHOWCAVE 1P et 2 P VERSION ENCASTREE |  |
| EuroCave®                  |                     | Range :Vitrine 1P                    | Size<br>A3<br>Sheet<br>1/1               |

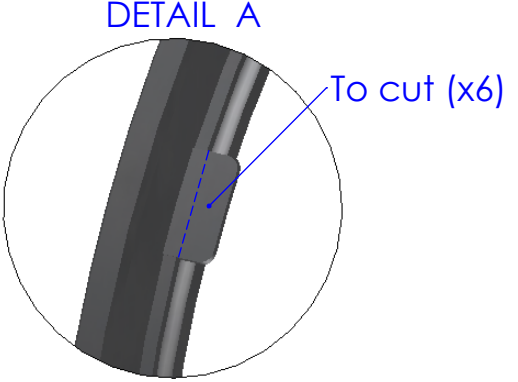
# ASSEMBLY KIT OF AIR OUTLET ON THE FRONT TOP FACE

ShowCave 1 and 2 doors



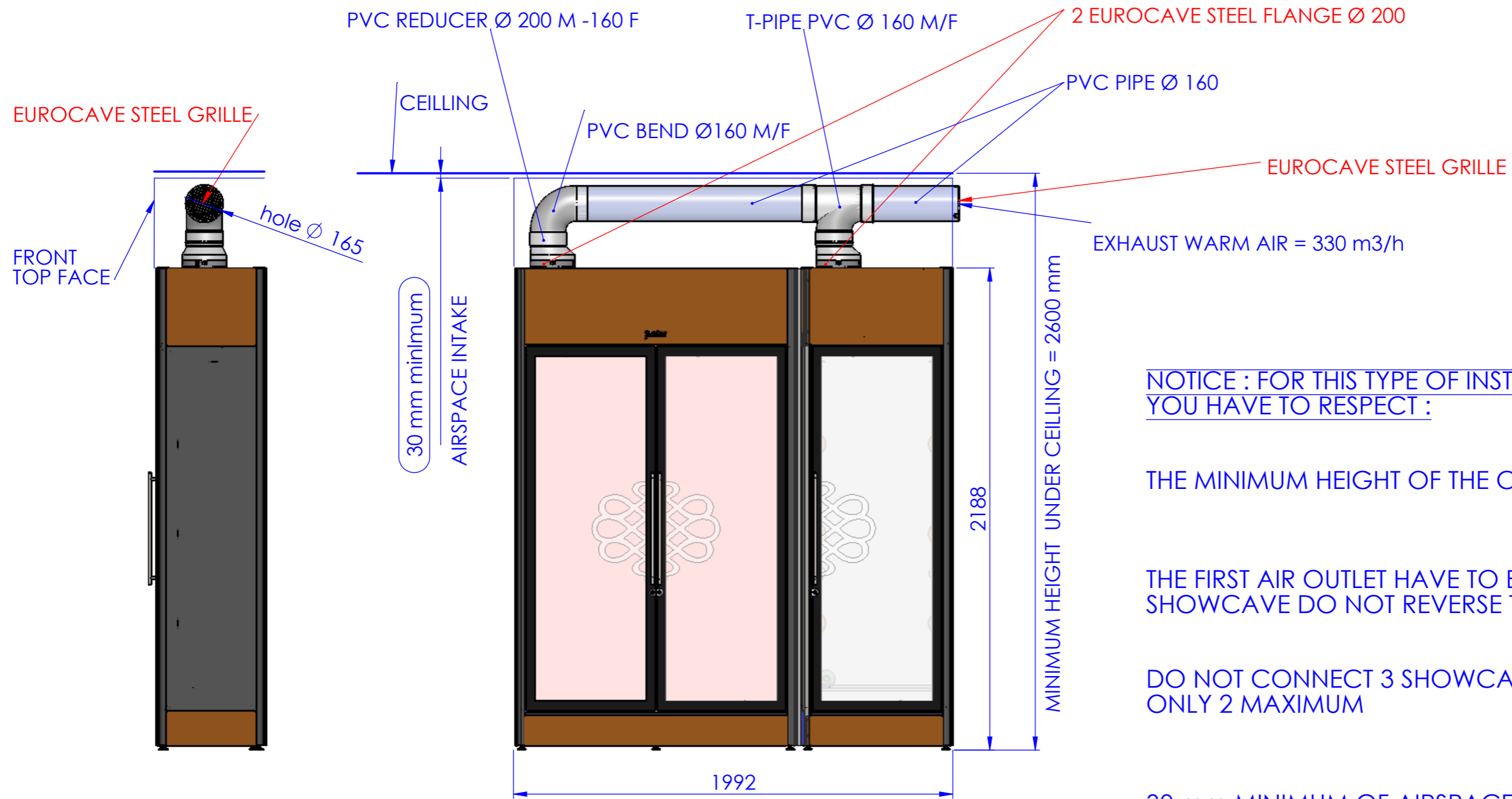
## ASSEMBLY :

- Unscrew the plastic hub cap and the wiregauze grille from the Showcave unit (3 screws).
- Screw the steel flange instead of the plastic hub cap.
- Fix the flexible sleeve on the steel flange.
- Drill a  $\varnothing 200$  mm on the top front face.
- Screw the second steel flange on the top front face with 6 screws (not supplied).
- Fix the top front face.
- Fix the flexible sleeve on the second steel flange.
- Cut the 6 clamps of plastic hub cap.
- Fix the plastic hub cap and the grille on the top front face with 6 screws (not supplied). Take care to move up the fixing holes with regard to the steel flange ones.



**NOTICE :**  
Respect a 3 cm airspace intake between the ceilling and the front top face.

# CASE OF BUILT-IN INSTALLATION WITH 2 EXHAUST WARM PIPES CONNECTED TOGETHER



NOTICE : FOR THIS TYPE OF INSTALLATION, YOU HAVE TO RESPECT :

THE MINIMUM HEIGHT OF THE CEILING: 2.60 m

THE FIRST AIR OUTLET HAVE TO BE ON THE 2 DOORS SHOWCAVE DO NOT REVERSE THE PIPES

DO NOT CONNECT 3 SHOWCAVE : ONLY 2 MAXIMUM

30 mm MINIMUM OF AIRSPACE INTAKE ON THE WHOLE LENGH OF THE INSTALLATION.

| SCHOWCAVE FITTINGS        | LENGH mm | WHOLE AIR OUTLET DELIVERY m3/h |
|---------------------------|----------|--------------------------------|
| 2 doors + 1 door          | 1992     | 330                            |
| 2 doors + 2 doors         | 2584     | 500                            |
| 1 door + 1 door           | 1400     | 200                            |
| 1 door + 2 doors + 1 door | 2700     | X                              |

|                            |                     |                                       |  |
|----------------------------|---------------------|---------------------------------------|--|
| 1                          | test de commentaire | 04/01/2013                            | hen                                      |
| Material:                  |                     |                                       |  |
| Drawing number:<br>E-31590 | Article<br>x        | 3D Number / Révision.<br>E-27154/     | Weight:g<br>Volume: mm3<br>Scale<br>1:20 |
| General Tolérances:        |                     | INSTALLATION ENCASTREE<br>1P + 2P +1P |  |
| EuroCave®                  |                     | Range :                               | Size<br>A3<br>Sheet<br>1/1               |