



CC1908S-1

Crane Capacity : 8.1t x 2.8m
Max. Lifting Height : 20.1m
Max. Lifting Height with fly jib: 26.0m
Max. Working Radius : 19.23m
Pick & Carry Capacity : 3.5t

Minimal Tail Swing
EU Stage V Compliant Engine
10" Touchscreen Multi Monitor
Programmable Moment Limiter
Surround View Camera & Monitor
Slew Angle Limit Setting
Wide View Roof Window
+ Many more features

Options
Single Fall Hook
Blade
Searcher Hook 2.0t
Hydraulic Fly Jib 1.5t

**TELESCOPIC
CRAWLER
CRANE**



CC1908S-1



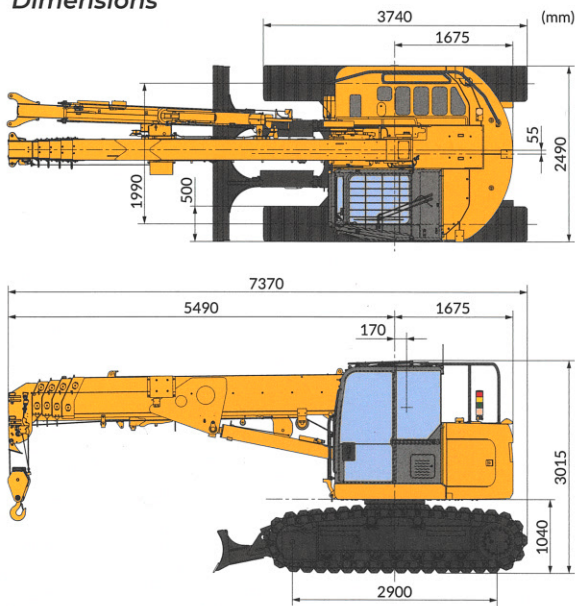
Specifications

Model		CC1908S-1
Crane capacity	Crane capacity	8.1t x 2.7m
	Max. working radius	19.2m
	Max. lifting height	20.1m (26.0m with fly jib)
	Max. reach below ground level	-20.5m (6 falls) / -32.5m (4 falls) / -67.5m (2 falls) / -139.5m (1 fall)
	Pick & Carry capacity	3.5t
Weight & Dimension	Machine Weight	19,400kg (19,900kg with fly jib)
	Machine Weight with Blade	20,350kg (20,850kg with fly jib)
	Overall length x width x height	7,370mm x 2,490mm x 3,015mm
	Tail swing	1,675mm
Winch system	Number of wire falls for Hook	6 falls / 4 falls / 2 falls / (1 fall option)
	Hoist wire rope	IWRC 6 x Fi(29) φ 10mm x 150m
Telescopic system	Boom type	Fully automatic 5-section heptagonal telescopic boom
	Boom length	5.52m - 8.99m - 12.46m - 15.93m - 19.40m
Boom hoist system	Hoist angle	0 to 80 degree
Slew system	Slew angle	360deg
	Gradability	20deg
Drive system	Ground pressure	65.6kPa (0.67kgf/cm ²) [67.3kPa (0.69kgf/cm ²) with fly jib]
	Ground pressure with Blade	68.8kPa (0.70kgf/cm ²) [70.5kPa (0.72kgf/cm ²) with fly jib]
Engine	Model	Yanmar 4TNV98CT-L2VMB
	Emission level	EU Stage V
	Displacement	3.318L (3,318cc)
	Rated output	52.3kW / 2,100min ⁻¹ (71.1PS / 2,100rpm)
	Fuel / Fuel tank capacity	Diesel / 150.0L
Safety device	Hydraulic safety valve, Overwind protection, Wire rope latch, Level, Safety lock lever, Machine body inclination alarm, EMO switch, Moment limiter, LED working status lamp, Surround view camera, Data logger, Slew restriction device	
Optional items	Single fall hook, Blade, Searcher hook (2.0t), Hydraulic type Fly jib (1.5t)	



Due to improvements, the specifications are subject to change.

Dimensions



Working Range Chart (6falls)

