



# ACER

COMMERCIAL

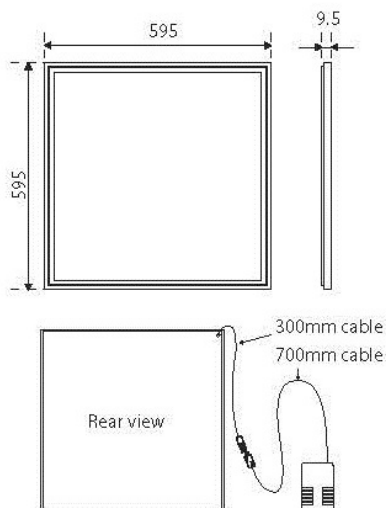


IP20 Recessed 600 x 600 LED Panel. Suitable for offices, retail and reception areas. Extruded aluminium frame, powder coated white. Aluminium back cover. PC diffuser.

## TECHNICAL SPECIFICATIONS

<b>Light Source:</b>	35W LED Colour
<b>Temperature:</b>	4000K
<b>Output:</b>	2800 Lumens
<b>Mains Input:</b>	230-240V AC 50/60Hz

## LINE DRAWING



## OPTIONS

Fitting:	Light Source:	Wattage:	Colour:
ACER	LED	35W	WH
<b>Options:</b>			
Function Options:			
3HR Emergency, 3500K LED board to order, Suspension kit.			
Base Colour Options:			
White (WH)			

# BLACKTHORN

COMMERCIAL

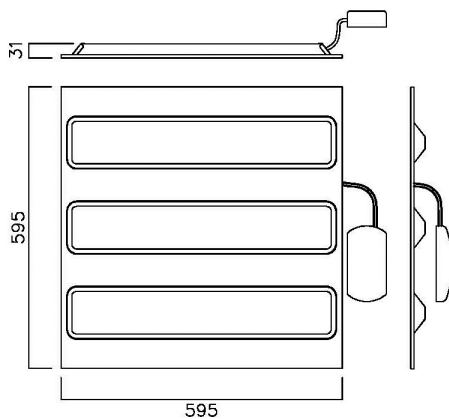


IP20 Recessed 600 x 600 LED Panel. Suitable for offices, retail and reception areas. White Steel body frame. Semi-gloss powder coated finish. For 15-24mm exposed T-ceilings. Opal polycarbonate diffuser panels.

## TECHNICAL SPECIFICATIONS

<b>Light Source:</b>	32W LED
<b>Colour Temperature:</b>	5000K
<b>Output:</b>	2300 Lumens
<b>Mains Input</b>	230-240V AC 50/60Hz Osram Driver

## LINE DRAWING



## OPTIONS

Fitting:	Light Source:	Wattage:	Colour:
BLACKTHORN	LED	32W	WH
<b>Options:</b>			
Function Options:			
3HR Emergency, Dimming, Sensor options available on request.			
Base Colour Options:			
White (WH)			

# ALDER

COMMERCIAL

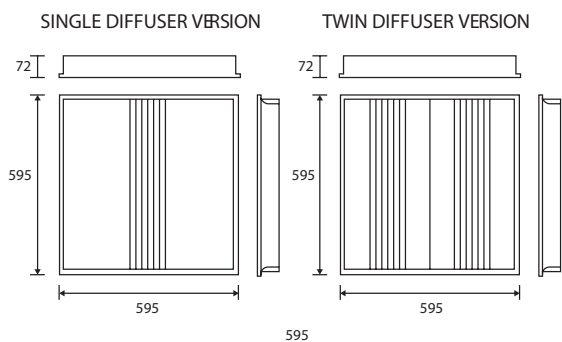


LED 600 x 600 modular fitting. Steel body, white powder coated finish with PMMA diffuser. ideal for offices, retail and reception areas. Available as single or twin diffuser.

## TECHNICAL SPECIFICATIONS

Single Diffuser:	Twin Diffuser:
3255 Lumen	3212 Lumen
39W	39W
84 Lm/W	83 Lm/W
5000K	5000K
LG 50,000 hour rated LED chipset	LG 50,000 hour rated LED chipset
Tridonic LED	Tridonic LED

## LINE DRAWING



## OPTIONS

Fitting:	Light Source:	Wattage:	Colour:
ALDER	LED	39W	W
<b>Options:</b>			
Function Options:			
3HR Emergency			

# HAWTHORN

## COMMERCIAL

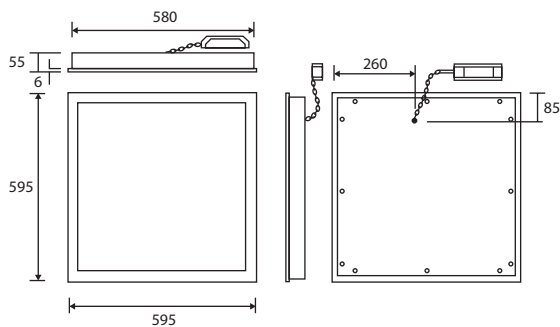


IP20 Recessed 600 x 600 LED Panel. Suitable for offices, meeting rooms and reception areas. Robust Steel body, white gloss powder coated finish with opal polycarbonate diffuser. For 15-54mm exposed T ceilings.

### TECHNICAL SPECIFICATIONS

<b>Light Source:</b>	34W LED
<b>Colour Temperature:</b>	5000K
<b>Output:</b>	3070 Lumens
<b>Mains Input:</b>	230-240V AC 50/60Hz
<b>Power Supply:</b>	Osram LED Driver
<b>Rated Life:</b>	30,000 Hours

### LINE DRAWING



### OPTIONS

Fitting:	Light Source:	Wattage:	Colour:
HAWTHORN	LED	34W	WH
<b>Options:</b>			
Function Options:			
3HR Emergency, 3500K and 4000K LED Board to Order, Suspension kit.			
Base Colour Options:			
White (WH)			

# PRUGA

## COMMERCIAL

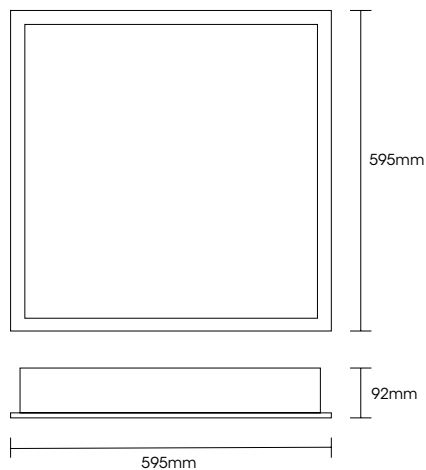


Recessed Dust Proof IP54 T5 Range designed for exposed T-Grid ceilings. The aluminium frame contains and impact resistant polycarbonate panel available in 3 options, retained by 4 wishbone springs sealing against a fitted gasket.

### TECHNICAL SPECIFICATIONS

600 X 600	1200 X 300
PRUGA/314/**/** - 3 x 14W T5	PRUGA/228/**/** - 2 x 28W T5
PRUGA/414/**/** - 4 x 14W T5	PRUGA/254/**/** - 2 x 54W T5
PRUGA/324/**/** - 3 x 24W T5	
PRUGA/424/**/** - 4 x 24W T5	
<b>Dimensions:</b>	<b>Dimensions:</b>
595 x 595 x 92	1195 x 295 x 92

### LINE DRAWING



### OPTIONS

Fitting:	Light Source:	Wattage:	Colour:
PRUGA	T5	14/24/28/64W	WH
<b>Options:</b>			
Control Gear Options:			
HF, DSI, DALI, 1-10V			
Emergency Options:			
3H Emergency (M3), 3 Hour Self Test (M3ST), 3 Hour Dali (M3MA).			
Diffuser Panel Options:			
Prismatic Polycarbonate (PPP), Opal Polycarbonate (OPP), Clear Polycarbonate (CPP)			

# BAY

## COMMERCIAL



Recessed modular fitting. Steel construction with white powder coated finish and hinged louvre. Designed to support a variety of PLL and T5 lamp types. Complete with HF control gear.

### TECHNICAL SPECIFICATIONS

1 x 55W PLL

2 x 50W PLL

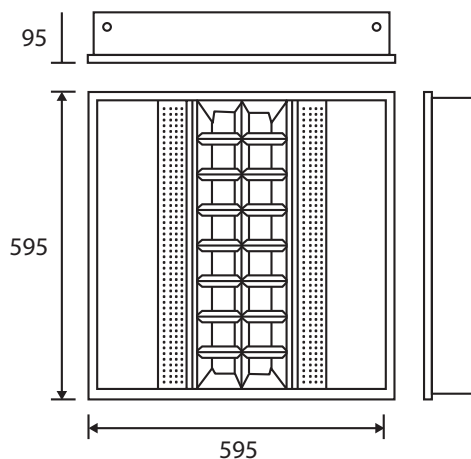
2 x 55W PLL

2 x 24W T5

4 x 14W T5

Suitable for ceilings (15mm/24mm T)

### LINE DRAWING



### OPTIONS

Fitting:	Light Source:	Wattage:	Colour:
BAY	T5/PLL	55/50/24/14W	WH
<b>Options:</b>			
Function Options:			
3 HR Emergency, Dimming.			
Louvre Options:			
Semi Specular, Specular.			

# CHESTNUT

COMMERCIAL

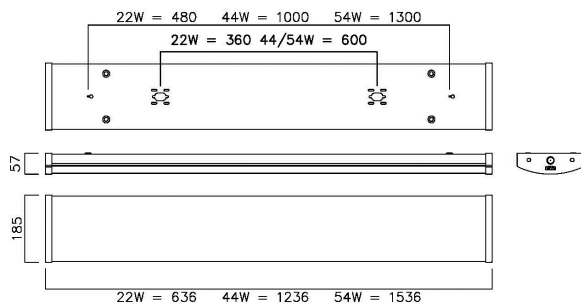


Surface LED luminaire. Steel body with white powder coated finish. UV stabilised polycarbonate diffuser and end caps. Suitable for Corridors, Schools and public areas.

## TECHNICAL SPECIFICATIONS

<b>Load Outputs:</b>	22W, 1715lm, 77.9 Lm/W 45W, 3800lm, 84.4 Lm/W 55W, 4600lm, 83.6 Lm/W
<b>Mains Input:</b>	234-240V AC 50/60Hz
<b>Driver:</b>	Osram Driver
<b>Colour Temperature:</b>	4000K

## LINE DRAWING



## OPTIONS

Fitting:	Light Source:	Wattage:	Colour:
CHESTNUT	LED	22/45/55W	WH
<b>Options:</b>			
Function Options:			
3HR Emergency, 3000K Board, Sensor, Dimming, Wire Suspension Kit, Vanal resistant screws.			



# ARRAN

COMMERCIAL

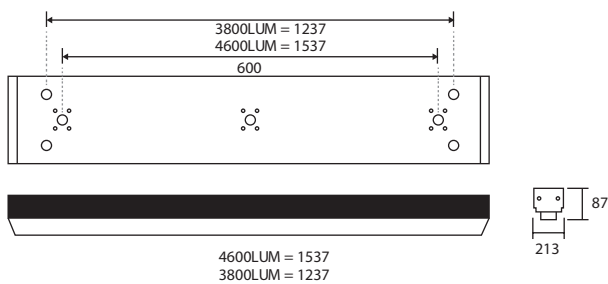


LED fitting with option for surface mounting or suspension. Steel body with white powder coated finish. UV stabilised polycarbonate diffuser and end caps.

## TECHNICAL SPECIFICATIONS

<b>Load Outputs:</b>	45W, 3800lm, 84.4 Lm/W
	55W, 4600lm, 83.6 Lm/W
<b>Mains Input:</b>	234-240V AC 50/60Hz
<b>Light Source:</b>	Samsung LEDs
<b>Colour Temperature:</b>	5000K

## LINE DRAWING



## OPTIONS

Fitting:	Light Source:	Wattage:	Colour:
ARRAN	LED	45/55W	WH
<b>Options:</b>			
Function Options:			
3HR Emergency, Dimming.			
Louvre Options:			
Semi Specular, Specular.			

# HOLM

COMMERCIAL



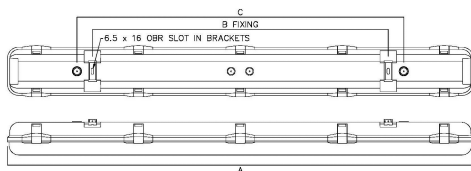
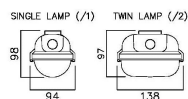
IP65 Non-Corrosive surface mounted luminaire. ABS Base, Polycarbonate controller, Stainless Steel clips. Complete with suspension eyes and steel mounting brackets.

## TECHNICAL SPECIFICATIONS

<b>Available as:</b>	1 x 24W or 2 x 24W 4ft body 1 x 40W or 2 x 40W 5ft body
<b>Lumen Outputs:</b>	1 x 24W 2660 Lumens 2 x 24W 4800 Lumens 1 x 40W 3860 Lumens 2 x 40W 7530 Lumens
<b>Colour Temperature:</b>	5500K
<b>CRI:</b>	80
<b>LED Life:</b>	30,000HR

## LINE DRAWING

SIZE	A	B	C	NO. OF
CRFT/LED/124/V2	1280	800	884	10
CRFT/LED/224/V2	1560	940	1024	12



## OPTIONS

Fitting:	Light Source:	Wattage:	Colour:
HOLM	LED	24/40W	WH
<b>Options:</b>			
Functions Options:			
3HR Emergency			

# TWISTER

## COMMERCIAL

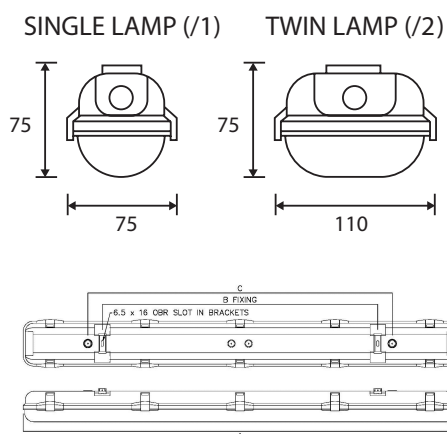


IP65 non-corrosive luminaire manufactured from impact resistant injection moulded polycarbonate. Suitable for areas that require protection from dust and moisture. Polycarbonate diffuser with smooth wipe clean outer surface retained by stainless steel clips for easy maintenance.

### TECHNICAL SPECIFICATIONS

Flourescent:	Led:
TW/128/** - 1 x 28W T5	TWL122/** - 1 X LED ARRAY 22W
TW/135/** - 1 x 35W T5	TWL246/** - 2 X LED ARRAY 46W
TW/149/** - 1 X 49W T5	TWL127/** - 1 X LED ARRAY 27W
TW/228/** - 2 X 28W T5	TWL253/** - 2 X LED ARRAY 53W
TW/235/** - 2 X 35W T5	
TW/249/** - 2 X 49W T5	

### LINE DRAWING



### OPTIONS

Fitting:	Light Source:	Wattage:	Colour:
TWISTER	T5/LED	22/27/28/35 /46/49/53W	WH
<b>Options:</b>			
Control Gear Options:			
HF, DSI, DALI, 1-10V			
Emergency Options:			
3HR Emergency (M3), 3 Hour Self Test (M3ST), 3 Hour DALI (M3DA)			

# POPLAR

COMMERCIAL

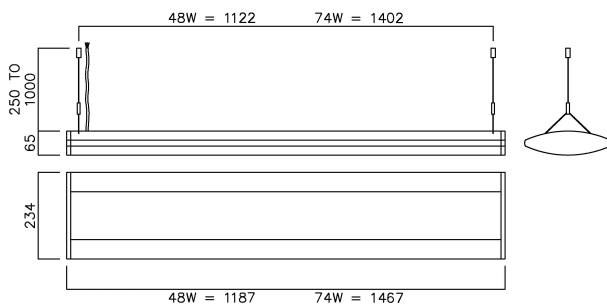


Suspended LED up/down light luminaire. Extruded Aluminium body in a white powder coated finish. PMMA high optical grade diffuser. 60mm suspension wire included. Suitable for retail, offices and communal areas.

## TECHNICAL SPECIFICATIONS

<b>Mains Input:</b>	234-240V AC 50/60Hz
<b>Light Source:</b>	Samsung LEDs
<b>Colour Temperature:</b>	4000K
<b>Load Outputs:</b>	48W, 4400lm, 91.6 Lm/W
	70W, 5600lm, 80.0 Lm/W

## LINE DRAWING

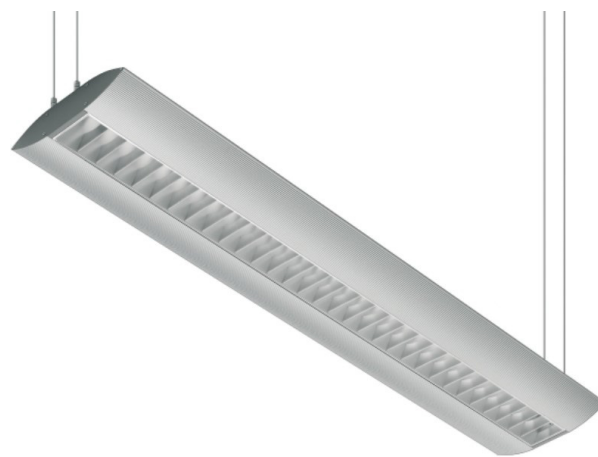


## OPTIONS

Fitting:	Light Source:	Wattage:	Colour:
POPLAR	LED	48/70W	WH
<b>Options:</b>			
Emergency Options:			
3HR Emergency, Dimming.			

# SERIE

## COMMERCIAL



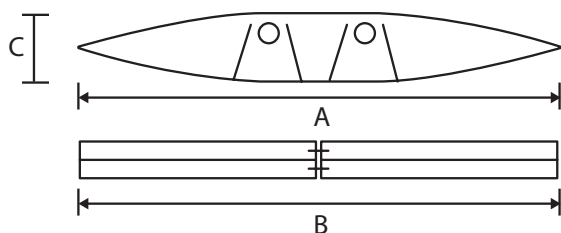
Suspended direct-indirect luminaire. Fitted with a Satin semi-specular aluminium louvre which produces controlled downward light, coupled with the upward light via a transparent perspex sheet. Manufactured from extruded aluminium and finished in Brushed aluminium. Supplied with either 2 or 4 wire suspension kits to be specified on ordering.

### TECHNICAL SPECIFICATIONS

Dimensions:	A	B	C
1 X 28/54W T5	250	1188	55
2 X 35/49W T5	250	1488	55
2 X 28/54W T5	330	1188	55
2 X 35/49/80W T5	330	1488	55

Flourescent:
SERIE 312/128/T5/** - 1 X 28W T5
SERIE 312/154/T5/** - 1 X 54W T5
SERIE 315/135/T5/** - 1 X 35W T5
SERIE 315/149/T5/** - 1 X 49W T5
SERIE 312/228/T5/** - 2 X 28W T5
SERIE 312/254/T5/** - 2 X 54W T5
SERIE 315/235/T5/** - 2 X 35W T5
SERIE 315/249/T5/** - 2 X 49W T5
SERIE 315/280/T5/** - 2 X 80W T5

### LINE DRAWING



### OPTIONS

Fitting:	Light Source:	Wattage:	Colour:
SERIE	T5	25/28/49/54/80W	BA
<b>Options:</b>			
Function Options:			
3HR Emergency, Self Test Emergency, DALI Emergency, 1-10V DIM, DSI, DALI.			

# WILLOW

COMMERCIAL

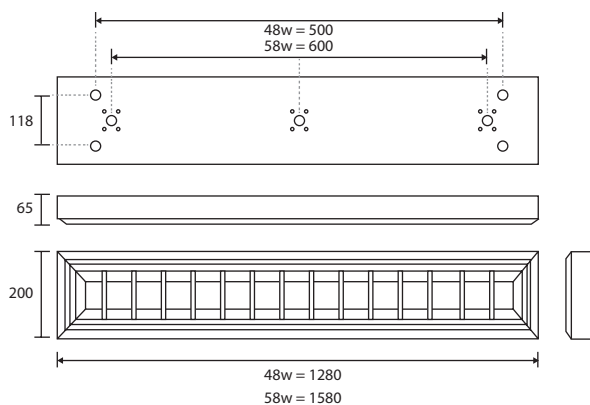


Surface mounted LED luminaire. Robust steel body. White semi-gloss powder coated finish. Specular double parabolic aluminium louvre. Suitable for a multitude of commercial installations.

## TECHNICAL SPECIFICATIONS

<b>Load Outputs:</b>	48W, 3543lm, 73.8 Lm/W 58W, 4282lm, 73.8 Lm/W
<b>Mains Input:</b>	234-240V AC 50/60Hz
<b>Light Source:</b>	Samsung LEDs
<b>Colour Temperature:</b>	4000K

## LINE DRAWING



## OPTIONS

Fitting:	Light Source:	Wattage:	Colour:
WILLOW	LED	48/58W	WH
<b>Options:</b>			
Function Options:			
3HR Emergency Dimming.			

# MAPLE

COMMERCIAL

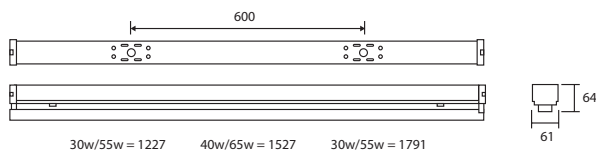


Surface mounted LED batten. Steel body, White gloss powder coated finish with polycarbonate end caps and opal diffuser. Suitable for workshops, garages and warehouses. Available in three different sizes each with standard and highput options.

## TECHNICAL SPECIFICATIONS

Load Options:	
<b>4' Option.</b>	30W, 3285 Lumens
	55W, 6470 Lumens
<b>5' Option.</b>	40W, 4650 Lumens
	65W, 7120 Lumens
<b>6' Option.</b>	50W, 5725 Lumens
	75W, 8370 Lumens
<b>Colour Temperature:</b>	4000K
<b>Driver:</b>	Supplied with Tridonic or Osram Driver.

## LINE DRAWING



## OPTIONS

Fitting:	Light Source:	Wattage:	Colour:
MAPLE	LED	30/55/40/65/50/75W	WH
<b>Options:</b>			
Function Options:			
3HR Emergency, Dimming, PIR Sensor, Available on request.			
Base Colour Options:			
White (WH)			

# LARCH

COMMERCIAL

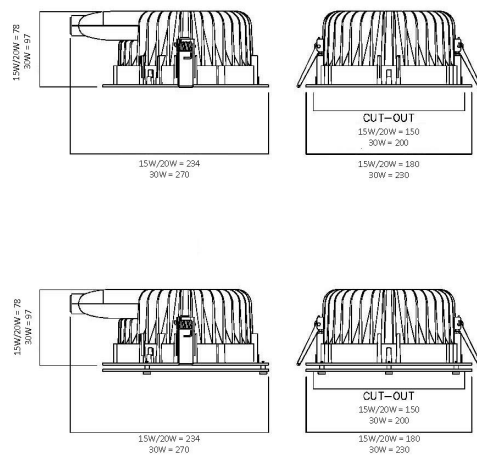


IP43 Recessed LED downlight. Die cast aluminium heatsink with opal acrylic diffuser. Three output options.

## TECHNICAL SPECIFICATIONS

<b>Mains Input:</b>	230-240V AC 50/60Hz
<b>Output Options:</b>	15W 1100 lumens 20W 1500 lumens 30W 2300 lumens
<b>Colour Temperature:</b>	4000K

## LINE DRAWING



## OPTIONS

Fitting:	Light Source:	Wattage:	Colour:
LARCH	LED	15/20/30 W	WH
<b>Options:</b>			
Drop Glass Cover Option:			
For Emergency lighting use our DSMD self contained LED emergency fitting.			



# OSIER

## COMMERCIAL



IP20 low-bay HID fitting for industrial use. Robust Steel construction with powder coated white folded sheet steel. Aluminium reflector.

### TECHNICAL SPECIFICATION

#### Available as:

250W SON

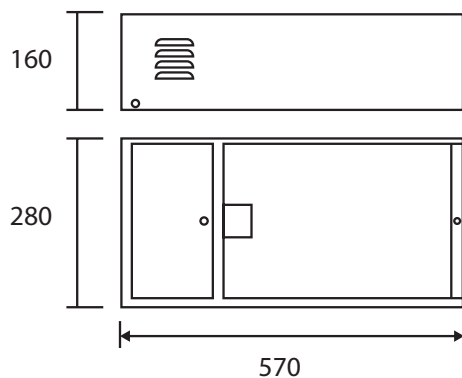
400W SON

250W Metal Halide

400W Metal Halide

Supplied excluding glass and lamp.

### LINE DRAWING



### OPTIONS

Fitting:	Light Source:	Wattage:	Colour:
OSIER	SON/MH	250/400W	WH

#### Options:

Wire Guard, Glass cover, Polycarbonate dished diffuser, High rack reflector.