

6 5 4 3 2 1

D

D

C

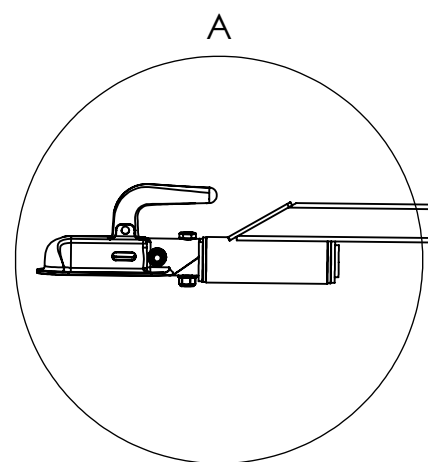
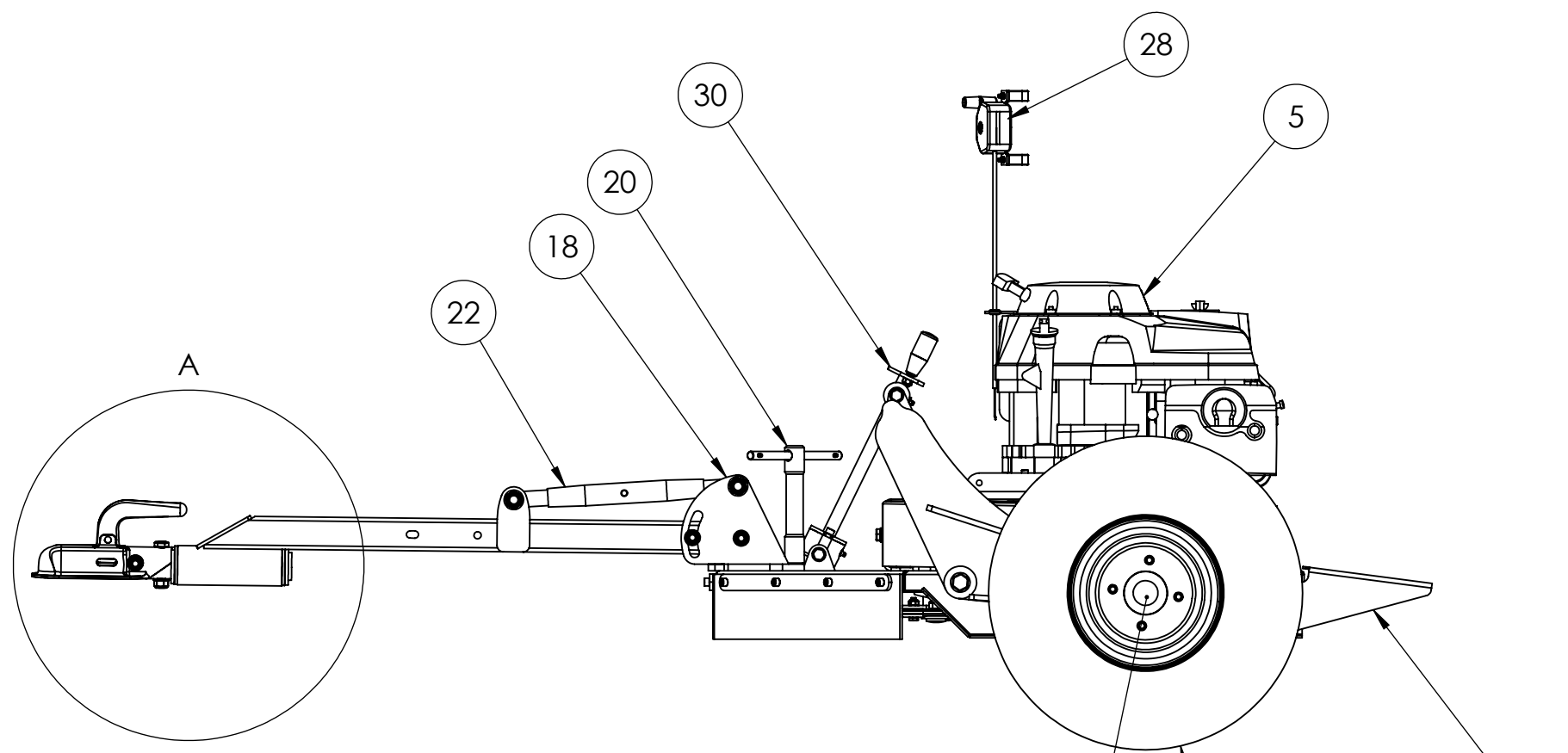
C

B

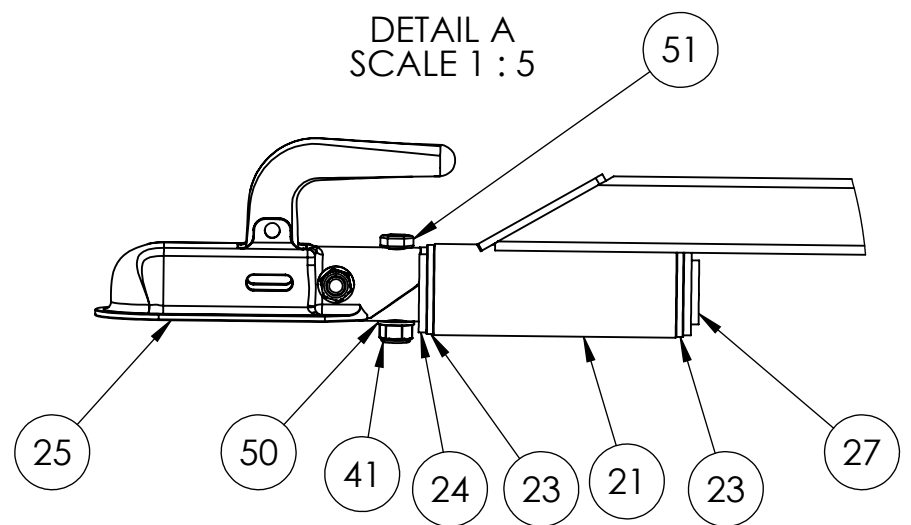
B

A

A

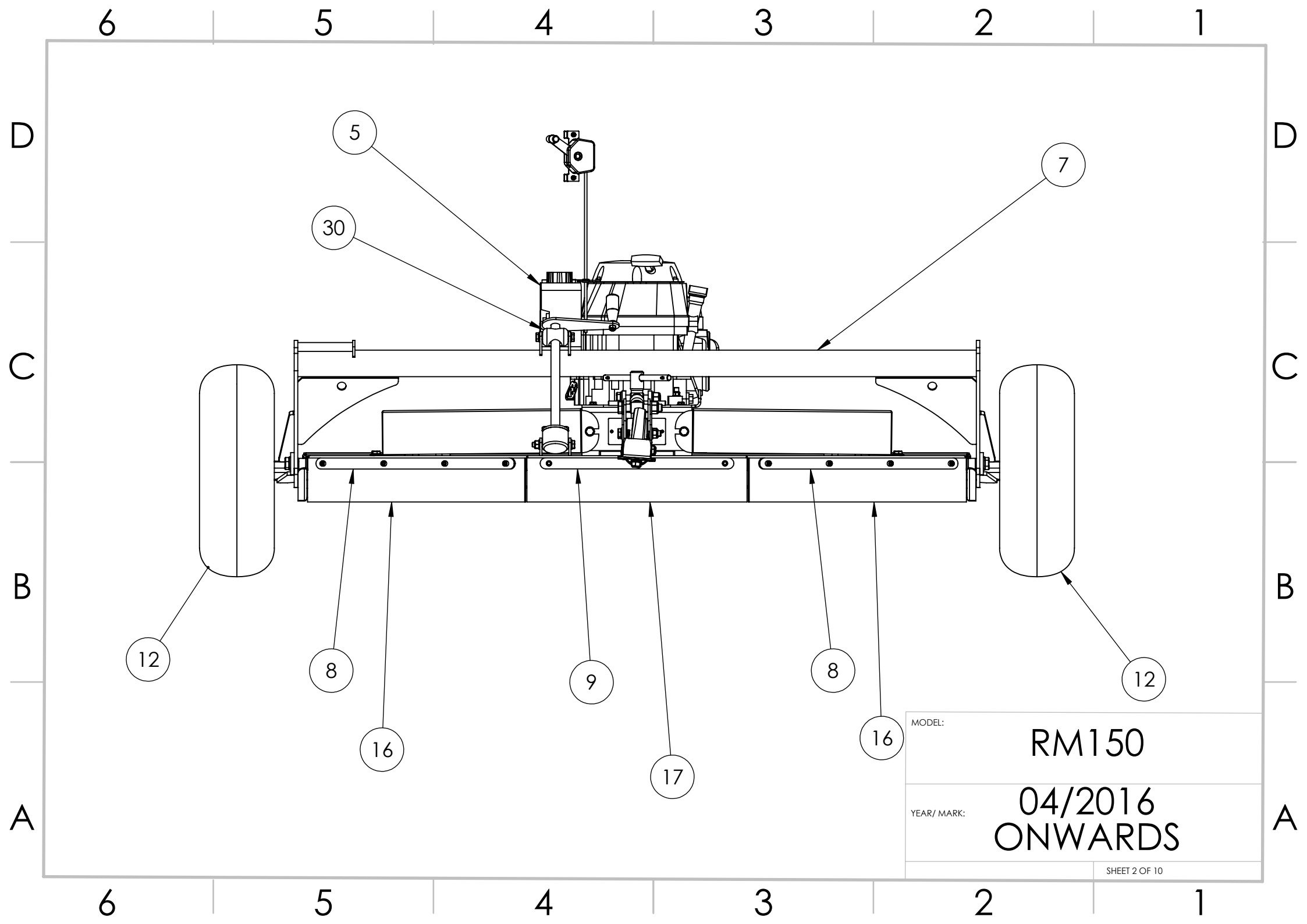


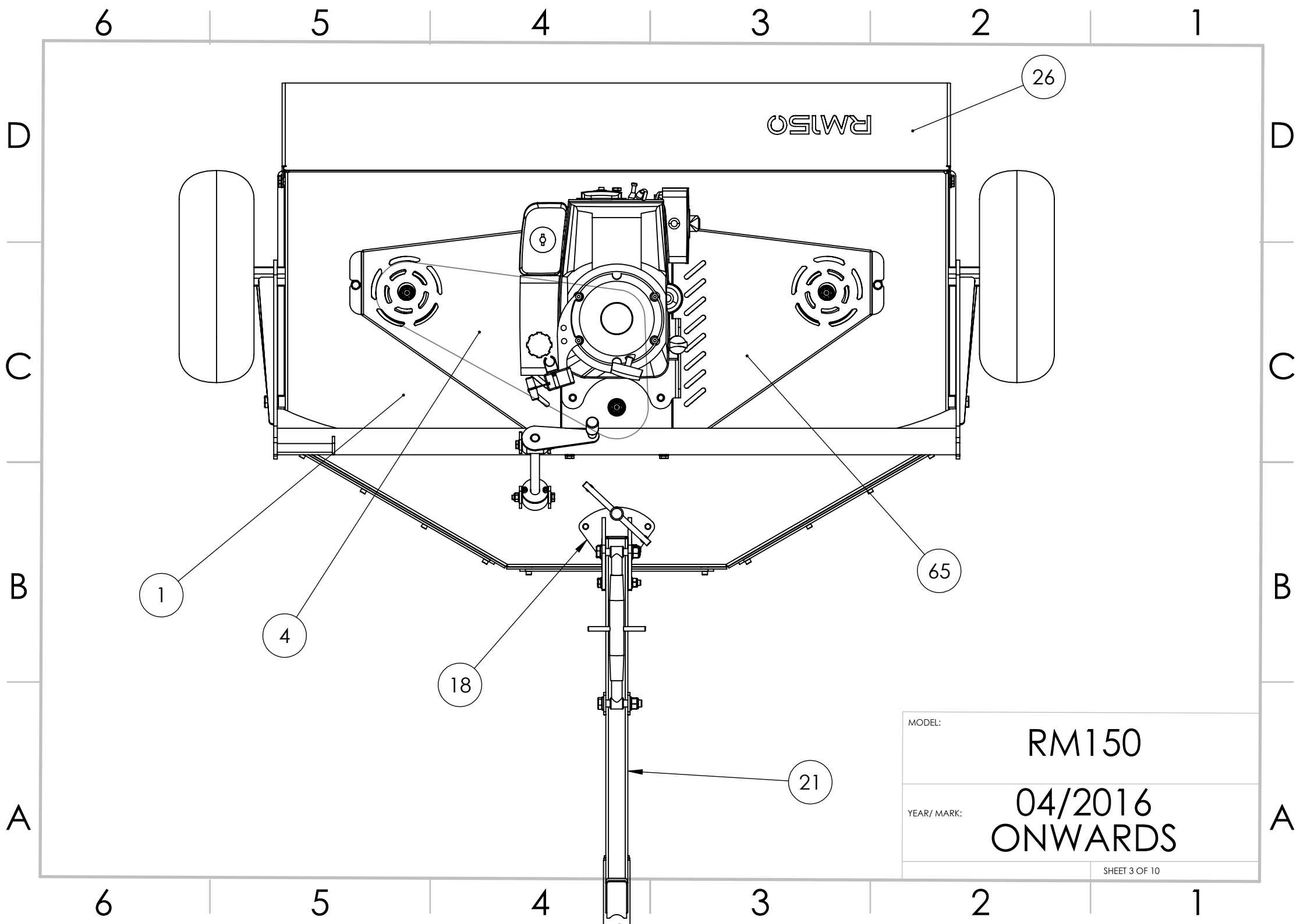
DETAIL A
SCALE 1 : 5



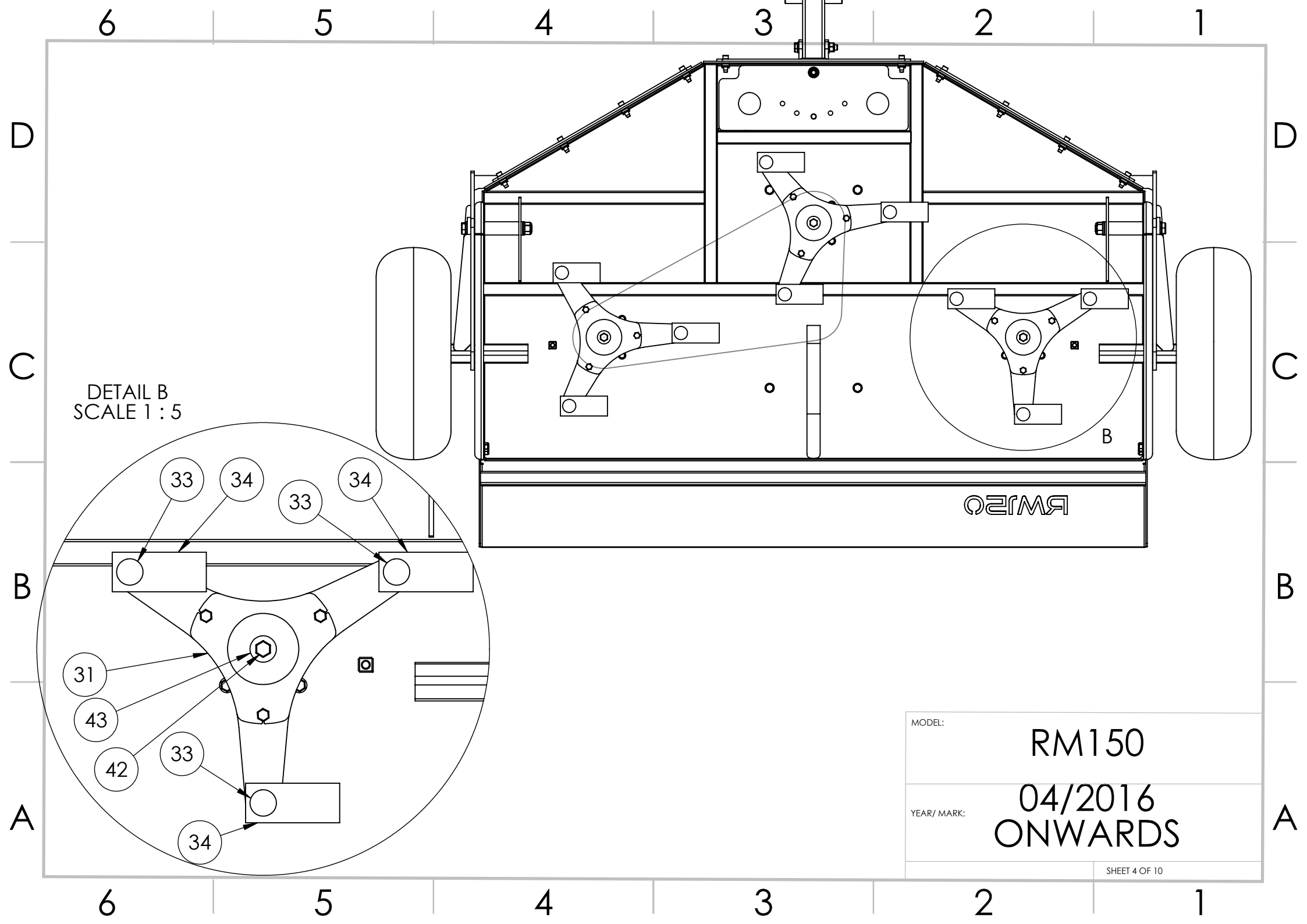
MODEL:	RM150
YEAR/ MARK:	04/2016 ONWARDS
SHEET 1 OF 10	

6 5 4 3 2 1



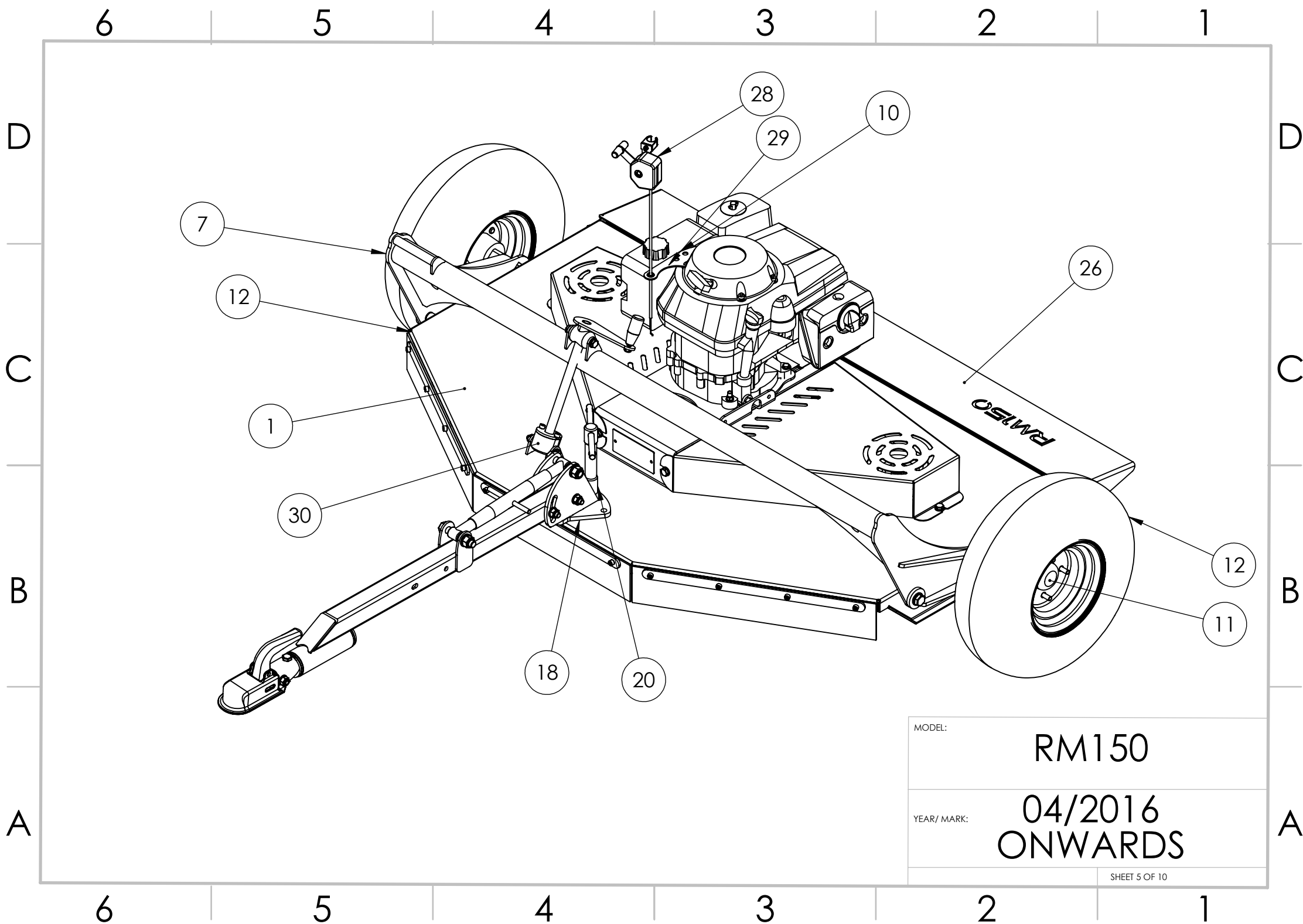


MODEL:	RM150
YEAR/ MARK:	04/2016 ONWARDS
SHEET 3 OF 10	



DETAIL B
SCALE 1 : 5

MODEL:	RM150
YEAR/ MARK:	04/2016 ONWARDS
SHEET 4 OF 10	

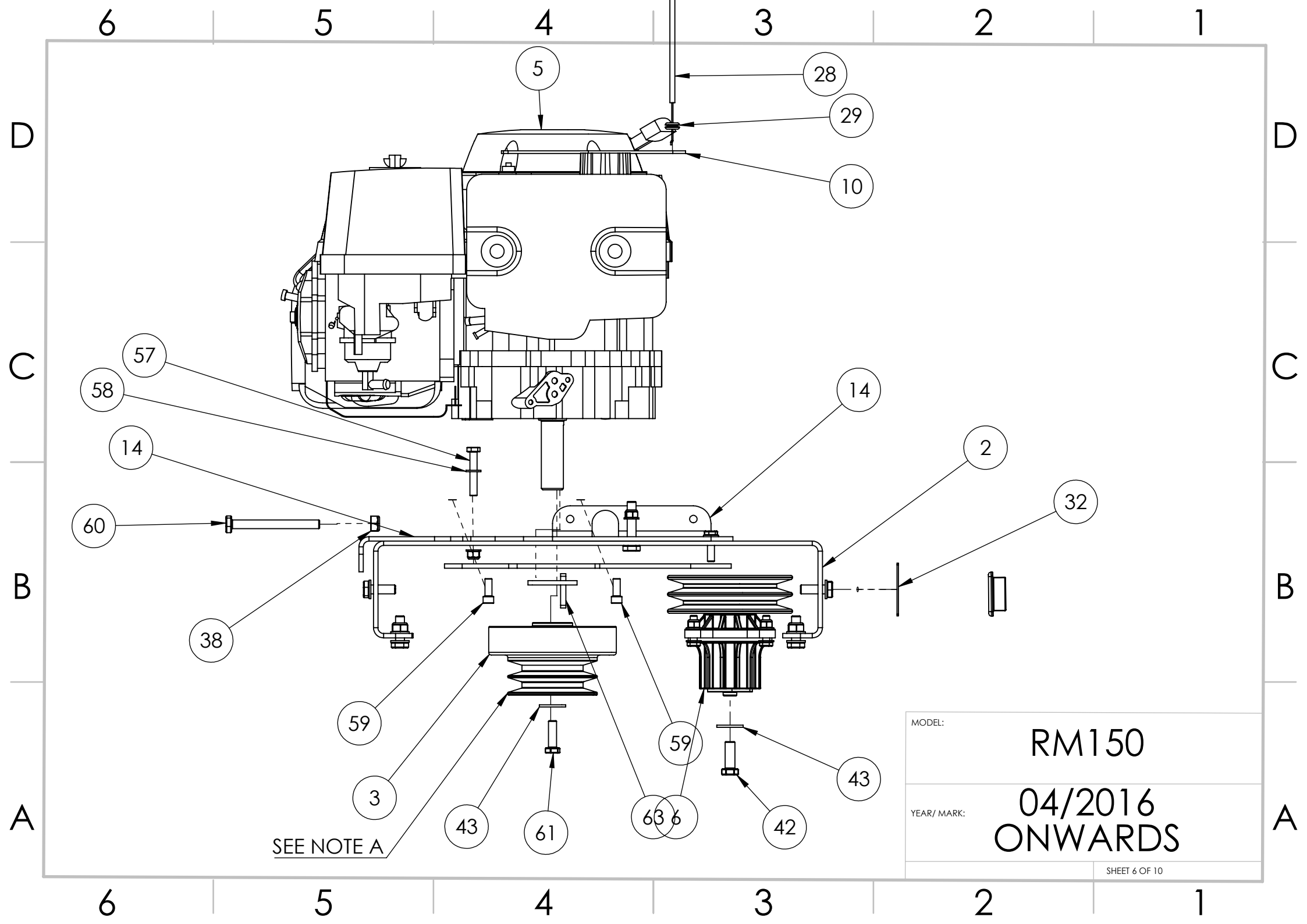


MODEL:

RM150

YEAR/ MARK:

04/2016
ONWARDS



SEE NOTE A

MODEL:	RM150
YEAR/ MARK:	04/2016 ONWARDS

ITEM NO.	PART NUMBER	DESCRIPTION	RM150/QTY.
1	RM150-MDA	MAIN DECK ASSEMBLY RM150	1
2	RM-ERA	ENGINE RISER ASSEMBLY, RM SERIES	1
3	K125-1435	CLUTCH, 145MM OD, 4" 2 GROOVE PULLEY, 1" INPUT SHAFT	1
4	RM150-BGR	BELT GUARD RH RM150	1
5	GXV390-T1-DN5	HONDA GXV390-T1-DN5-OH 13HP VERTICAL SHAFT ENGINE 1" PARALLEL SHAFT	1
6	RM-SA	SPINDLE ASSEMBLY, RM, 2 GROOVE	3
7	RM150-AA	AXLE ASSEMBLY, RM150	1
8	RM150-018	FIXING STRIP 5MM	2
9	RM150-019	FIXING STRIP SHORT 5MM	1
10	RM120-009	THROTTLE CABLE HOLDER, RM SERIES	1
11	ADR-200H	HUB 4X4" SSP	2
12	WAT-1978-4x4	WHEEL AND TYRE ASSEMBLY 19X7X8 WANDA P308 ON 4X4" PCD	2
13	RM120-074	CLUTCH WASHER RM SERIES	1
14	RM-ESA	ENGINE SLIDE PLATE ASSEMBLY, RM SERIES	1
15	RM-ECA	ENGINE CAPTIVE ASSEMBLY, RM SERIES	1
16	RBR-570	RUBBER STRIP, 570MM LONG, 5MMX100MM INSERTION	2
17	RBR-500	RUBBER STRIP, 500MM LONG, 5MMX100MM INSERTION	1
18	RM-DMA	DRAWBAR MOUNT ASSEMBLY RM SERIES	1

MODEL:	RM150
YEAR/ MARK:	04/2016 ONWARDS
SHEET 7 OF 10	

6

5

4

3

2

1

ITEM NO.	PART NUMBER	DESCRIPTION	RM150/QTY.
19	MFM-1218-12	IGUS BEARING MFM 12MM ID 18MM OD 12MM THICK TOP HAT STYLE MFM-1218-12	1
20	SHS-12(ASSY)	SWIVEL HITCH SCREW ASSEMBLY 12MM THREAD	1
21	DBA-900	DRAWBAR 900MM LONG 50X50X5MM BOX ASSEMBLY	1
22	TL-1902000GP	TOP LINK CAT 0	1
23	SH-002		2
24	SH-003	SWIVEL HITCH WASHER 44MM ID 60MM OD 5MM THICK	1
25	8802429X	8802429X COUPLING 50MM BALL TO SUIT 43MM TUBE	1
26	RM150-RGA	REAR GUARD ASSEMBLY, RM150	1
27	SH-001	SWIVEL HITCH DRAWTUBE ASSEMBLY	1
28	RM-TA	THROTTLE ASSEMBLY COMPLETE, RM SERIES	1
29	498047	RUBBER GROMMET, PVC, 10MM ID, 16MM OD, 7MM THICK, 12MM HOLE DIA	1
30	RM150-HAC	HIEGHT ADJUSTMENT COMPLETE ASSEMBLY, RM150	1
31	RM150-BCA	BLADE CARRIER ASSEMBLY, RM150	3
32	SERIALPLATE	SERIAL PLATE CHAPMAN	1
33	56115800KN	MOWER BLADE BOLT, KUHN STYLE	9

MODEL:	RM150
YEAR/ MARK:	04/2016 ONWARDS
<small>SHEET 8 OF 10</small>	

6

5

4

3

2

1

D

D

C

C

B

B

A

A

6

5

4

3

2

1

ITEM NO.	PART NUMBER	DESCRIPTION	RM150/QTY.
34	55903310KR	MOWER BLADE LH KUHN STYLE	9
35	M10-20HB	M10 x 20 Hex Head Bolt	8
36	M10-000PW	M10 PLAIN WASHER FORM A	26
37	M10-30HB	M10 x 30 Hex Head Bolt	8
38	M10-000NN	M10 NYLOCK NUT	10
39	M8-000NN	M8 NYLOCK NUT	14
40	M8-30HS	M8 x 30 Hex Head Set Screw	14
41	M12-000NN	M12 NYLOCK NUT	14
42	7-16 20 x 1 1-4 UNF	7-16 x1 1-4 UNF "0 Hex Head Bolt	3
43	M10-000PWG	M10 Plain Washer Form G	4
44	M8-000LN	M8 Lug Nut	10
45	M10-000CN	M10 Cage Nut	2
46	M16-90HB	M16 x 90 Hex Head Bolt	2
47	M16-000PW	M16 plain Washer	8
48	M16-000NN	M16 Nylock Nut	4
49	M12-90HB	M12X90MM HEX HEAD BOLT	2
50	M12-000PW	M12 PLAIN WASHER FORM A	8
51	M12-60HB	M12X60 HEX HEAD BOLT	1
52	M12-70HB	M12X70 HEX HEAD BOLT	1

MODEL:

RM150

YEAR/ MARK:

04/2016
ONWARDS

SHEET 9 OF 10

6

5

4

3

2

1

D

D

C

C

B

B

A

A

6 5 4 3 2 1

ITEM NO.	PART NUMBER	DESCRIPTION	RM150/QTY.
53	M12-40HB	M12 x 40 Hex Head Bolt	1
54	M10-90HS	M10x90 Hex Head Set Screw	1
55	M8-30CS	M8 x 30 Cap Head Set Screw	10
56	M16-150HB	M16x150 Hex Head Bolt	2
57	M8-50HB	M8 x 50 Hex Head Bolt	1
58	M8-000PW	M8 Plain Washer From A	29
59	M8-20CS	M8 x 20 Cap Head Set Screw	2
60	M10-100HS	M10 x 100 Hex Head Set Screw	1
61	3-8 24 x 1 1-4 UNF	3-8 x1 1-4 UNF 24 Hex Head Bolt	1
62	RM120-039	BLADE WASHER, RM SERIES	9
63	68856640	KEYWAY, 6X6X40MM FEATHERED ENDS STEEL	1
64	MFM-1618-12	IGUS BEARING 16MM ID, 18MM OD, 12MM THICKNESS TOP HAT STYLE MFM-1618-12	2
65	RM150-BGL	BELT GUARD LH, RM150	1
66	BTC-5050T	BOX CAP THICK WALL 3-5MM TO SUIT 50X50	1
67	M10-50HB	M10 x 50 Hex Head Bolt	1
68	BX63	BELT, BX63, RAW EDGED COGGED	2

D

D

C

C

B

B

A

A

NOTES:

A: UP TO 06/2018 CLUTCH HAS A 125MM OUTSIDE DIAMETER. FROM 06/2017 CLUTCH HAS A 145MM OUTSIDE DIAMETER. 145MM DIAMETER CLUTCHES CANNOT BE FITTED TO OLDER MACHINES DUE TO STEELWORK CLEARANCE. IN THIS CASE A SMALLER 125MM DIAMETER CLUTCH CAN BE SUPPLIED.

MODEL:

RM150

YEAR/ MARK:

04/2016
ONWARDS

6 5 4 3 2 1