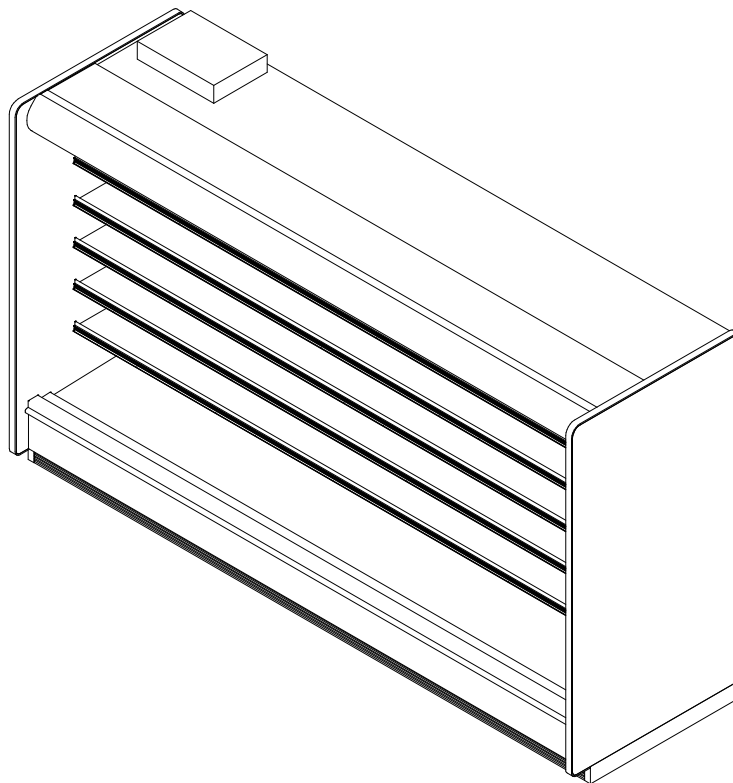


5DMLH-NRG

High Multi-Deck Merchandiser with Synerg-E™
4', 6', 8' & 12' (Beverage / Dairy / Deli / Produce)

GENERAL NOTES:

- "---" indicates that the feature is not an option for this case model and/or the data is not yet available.
- LED lights only.
- Maximum of 5 rows of standard output LED lighted shelves.



SHIPPING WEIGHT	
Case	Weight
5DMLH-NRG	---



COMPONENT
ALL MEASUREMENTS ARE TAKEN PER ASHRAE-72-2005 SPECIFICATIONS. HILLPHOENIX REFRIGERATED DISPLAY CASES FOR SALE IN THE UNITED STATES MEET OR EXCEED DEPARTMENT OF ENERGY 2017 REQUIREMENTS.

5DMLH-NRG

Rev. Date	Rev. #	Rev. Title
9-23-19	6	OPTIONS UPDATE
9-9-19	5	ENDVIEW UPDATE



5DMLH-NRG

High Multi-Deck Merchandiser with Synerg-E™
4', 6', 8' & 12' (Beverage / Dairy / Deli / Produce)

ELECTRICAL DATA			
Case Length	Fans Per Case	High Efficiency Fans	
		120 Volt	
		Amps	Watts
4'	2	0.38	43.0
6'	3	0.57	65.0
8'	3	0.57	65.0
12'	4	0.73	87.0

LIGHTING DATA					
Case Length	Lights per row	Clearvoyant v4 LED Lighting (Per Light Row)			
		Standard Power (Cornice or Shelf)		High Power (Cornice Only)	
		120 Volts		120 Volts	
		Amps	Watts	Amps	Watts
4'	1	0.05	5.9	0.12	14.9
6'	2	0.08	9.4	0.20	23.8
8'	2	0.10	11.8	0.25	29.9
12'	3	0.15	17.6	0.37	44.8

GUIDELINES AND CONTROL SETTINGS						
Application	BTUH/ft		Superheat Set Point @ Bulb (°F)	Evaporator (°F)	Discharge Air (°F)	Discharge Air Velocity (FPM)
	Conventional	Parallel				
Dairy/Deli/Cut Produce	1608	1360	6 - 8	30	33	320
Beverage/Bulk Produce	1315	1110	6 - 8	32	37	320

DEFROST CONTROLS			
Application	Defrosts Per Day	Timed-Off Defrost	
		Fail-Safe (Min)	Termination Temp (F)
Dairy/Deli/Cut Produce	6	45	47
Beverage/Bulk Produce	2	30	47

NOTES:

- "----" indicates that the feature is not an option for this case model and/or the data is not yet available.
- Listed BTUH/ft data represent unlighted shelves. For LED lighting, add 9 BTUH/ft to determine Total Case Lighting BTUH Load, then divide by the length of the case to obtain a value in BTUH/ft.
- BTUH load increases by 132 BTUH/ft when aftermarket merchandising accessories are utilized.
- Listed evaporator temperature represents unlighted shelves. For lighted shelves and/or aftermarket merchandising accessories, reduce the listed evaporator temperature by 2°F.
- Conventional Discharge Air Control – Recommended Settings: Cut-In Temp = Discharge Air + 2°F; Cut-Out Temp = Discharge Air - 2°F.
- Listed discharge air velocity represents the average velocity immediately after defrost.
- Temperature and defrost settings listed above are recommended start-up settings. Final operational settings may need to be adjusted for the store conditions in which the case operates.
- The recommended evaporator temperatures may need to be adjusted based on system setup, store conditions, etc. The minimum recommended evaporator temperature is 4°F below the listed evaporator temperature.



ALL MEASUREMENTS ARE TAKEN PER ASHRAE-72-2005 SPECIFICATIONS. HILLPHOENIX REFRIGERATED DISPLAY CASES FOR SALE IN THE UNITED STATES MEET OR EXCEED DEPARTMENT OF ENERGY 2017 REQUIREMENTS.

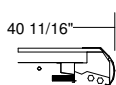
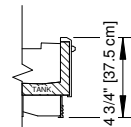

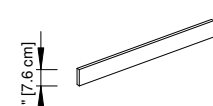
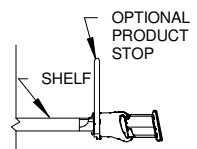
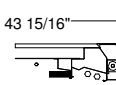
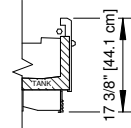

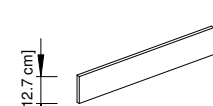
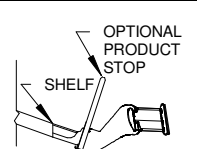
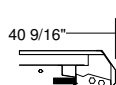
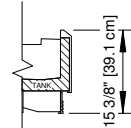

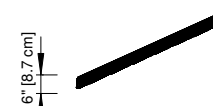
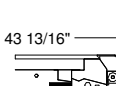
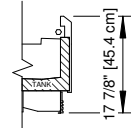
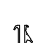
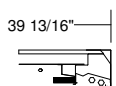
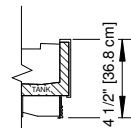
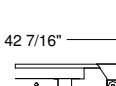
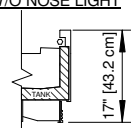
5DMLH-NRG

Rev. Date	Rev. #	Rev. Title
9-23-19	6	OPTIONS UPDATE
9-9-19	5	ENDVIEW UPDATE

Hillphoenix
A DOVER COMPANY

5DMLH-NRG

High Multi-Deck Merchandiser with Synerg-E™
4', 6', 8' & 12' (Beverage / Dairy / Deli / Produce)

CORNICE OPTIONS	FRONT OPTIONS	SHELF TAG MOLDING OPTIONS	PRODUCT STOP OPTIONS (ONLY APPLICABLE ON SLOTTED TM)	SHELF EDGE ENERGY SAVINGS
<u>CURVED CORNICE</u>  40 11/16"	<u>CLASSIC 2 STANDARD FRONT</u>  14 3/4" [37.5 cm]	<u>1.25" STD</u> 	<u>3" PLEXI PRODUCT STOPS</u>  3" [7.6 cm]	<u>ECO BLADE FLAT SHELF</u>  SHELF OPTIONAL PRODUCT STOP
<u>CURVED CORNICE WITH NIGHT COVER</u>  43 15/16"	<u>CLASSIC 2 17" FRONT W/ & W/O NOSE LIGHT</u>  17 3/8" [44.1 cm]	<u>SLOTTED</u> 	<u>5" PLEXI PRODUCT STOPS</u>  5" [12.7 cm]	<u>ECO BLADE ANGLED SHELF</u>  SHELF OPTIONAL PRODUCT STOP
<u>FACETED CORNICE</u>  40 9/16"	<u>ANGLED FRONT</u>  15 3/8" [39.1 cm]	<u>ANGLED</u> 	<u>WIRE FENCE PRODUCT STOPS</u>  3 7/16" [8.7 cm]	
<u>FACETED CORNICE WITH NIGHT COVER</u>  43 13/16"	<u>ANGLED FRONT W/ & W/O NOSE LIGHT</u>  17 7/8" [45.4 cm]	<u>ANGLED SLOTTED</u> 		
<u>FLAT CORNICE</u>  39 13/16"	<u>FLAT FRONT</u>  14 1/2" [36.8 cm]			
<u>FLAT CORNICE WITH NIGHT COVER</u>  42 7/16"	<u>17" FLAT FRONT W/ & W/O NOSE LIGHT</u>  17" [43.2 cm]			

OPTION PAGE NOTES:

- Tag molding materials are PVC, aluminum, or painted aluminum.
- See Ecoblade tech sheet for additional information.



ALL MEASUREMENTS ARE TAKEN PER ASHRAE-72-2005 SPECIFICATIONS. HILLPHOENIX REFRIGERATED DISPLAY CASES FOR SALE IN THE UNITED STATES MEET OR EXCEED DEPARTMENT OF ENERGY 2017 REQUIREMENTS.

5DMLH-NRG

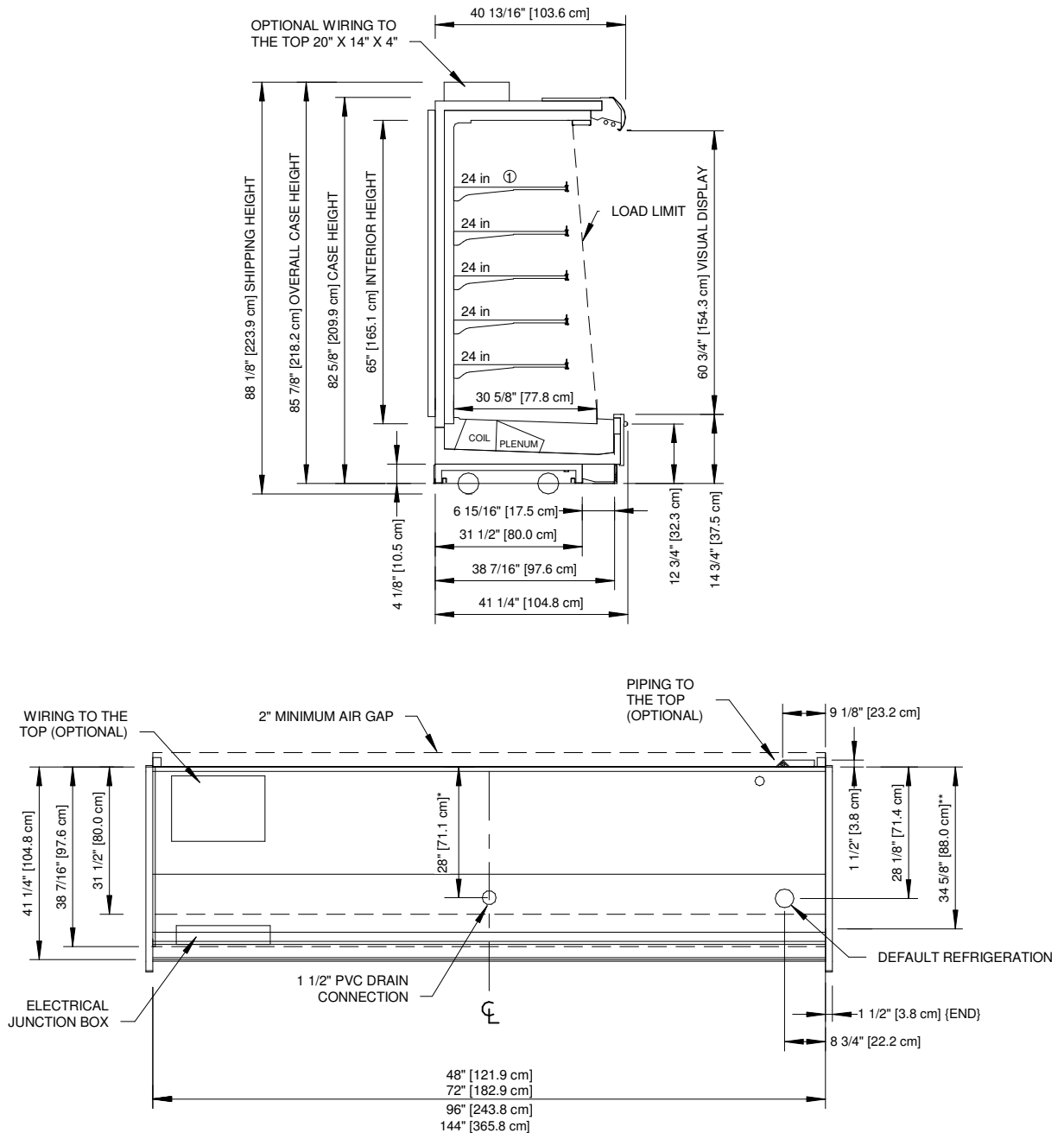
Rev. Date	Rev. #	Rev. Title
9-23-19	6	OPTIONS UPDATE
9-9-19	5	ENDVIEW UPDATE



A DOVER COMPANY

5DMLH-NRG

High Multi-Deck Merchandiser with Synerg-E™
4', 6', 8' & 12' (Beverage / Dairy / Deli / Produce)



NOTES:

- * : STUB-UP AREA
- ** : RECOMMENDED STUP-UP CENTERLINE FOR ELECTRICAL AND HUB DRAINS
- ① : AVAILABLE SHELF SIZES: 10", 12", 14", 16", 18", 20", 22" & 24"

- Ends add approximately 1" to case height.
- Back panels add approximately 1" to the rear of the case.



ALL MEASUREMENTS ARE TAKEN PER ASHRAE-72-2005 SPECIFICATIONS. HILLPHOENIX REFRIGERATED DISPLAY CASES FOR SALE IN THE UNITED STATES MEET OR EXCEED DEPARTMENT OF ENERGY 2017 REQUIREMENTS.

5DMLH-NRG

Rev. Date	Rev. #	Rev. Title
9-23-19	6	OPTIONS UPDATE
9-9-19	5	ENDVIEW UPDATE

