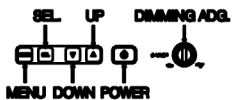
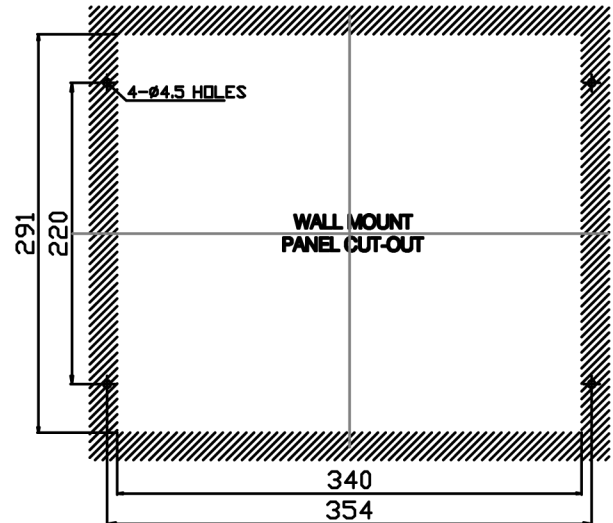
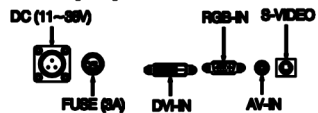


Front side Controls



In/output specification of back side



All dimensions millimetres
(Not to scale)