



Architectural Rainwater Systems

Cast Aluminium - Cast Iron - Extruded Aluminium

Widest Selection Available



Alu Cast

ENTERPRISES LTD

BACKGROUND

- John Corkery established Alu Cast in 2004
- Over 20 years experience of Rainwater Management Systems
- Sister company 'Alu-Fit' is a reputable supplier of PVC roofline systems across Ireland
- Alu Cast is now the leading Irish based supplier of Architectural Rainwater Systems
- Full design, supply & fitting services available
- Commitment to delivering high quality cost effective solutions for residential and commercial projects

FACILITIES & PROCESSES

- Located in Kanturk, Co. Cork - we offer next day nationwide deliveries
- 13,000 sq ft fully equipped production facility
- Ongoing investment in production equipment & staff training
- Significant stock holding of standard items
- Highly experienced production & fitting teams
- Strict adherence to Health & Safety Policies

3 RAINWATER SYSTEMS AVAILABLE

To meet clients various needs, specifications & budgets:

- Cast Aluminium Systems
- Extruded Aluminium Systems
- Cast Iron Systems



Why Choose Alu Cast

1. Next day delivery nationwide
2. Largest range in stock
3. Pre welded aluminium joints as standard
4. Full RAL & BS colour range
5. On site measure available
6. Over 21 years experience
7. Fitting Service through our Agents



WHY CHOOSE ALUMINIUM?

Aluminium is the world's most abundant metal. Its light weight, strength, corrosion resistance and formability make it the most specified alloy where durability and low maintenance are required.

It is one third the weight of steel, yet when alloyed, its strength to weight ratio is superior to that of steel. Its surface strength has self regenerating properties. A natural oxide film provides resistance to corrosion which when damaged will reform itself to continue the anti-corrosion protection.

It is safe to handle, non-toxic, and is infinitely recyclable. Its production from bauxite ore uses electricity which is mainly produced from renewable hydroelectrical power.

It causes no adverse run-off to ground water. It is non-magnetic, and its lack of an electrostatic charge means that it does not attract dirt.

The appearance of aluminium can be enhanced to create a visual impact that is as varied as the Architect's imagination and will ensure that the desired long term aesthetic appeal of the project is maintained. Powder coating is also undertaken on your own pre-manufactured products.

THE CHOICE OF FINISH

Architects frequently specify aluminium where durability, low maintenance, colour and finish are important elements with the design concept. Choosing the finish is critical to determining the final appearance and life of the project. High quality aluminium powder coating finishes have proven benefits; they increase durability and reduce maintenance.

Polyester powder coating offers the specifier a far wider range of colours and gloss levels than other finishing processes and has the advantage of the colour remaining totally consistent, regard less of the underlying metal substrate. Limited forming can be achieved after coating and on-site remedial work is easy to touch-up.

The advanced technology of the process ensures that a single coat will provide a durable finish which is chemically bonded to the metal surface. The correct pre-treatment of the metal surface, and the controlled curing cycle are vital in ensuring a durable and colour stable coating process. This is where our six stage, timed and temperature controlled Chromating pre-treatment process and automated infra red oven curing lines ensure consistent quality and colour stability.

Chromate adhesion enhances the metal's corrosion resistance and adhesive qualities of the powder particles thereby ensuring product durability and quality of finish.

Powder coating has the environmentally friendly advantage of the finish being applied without the use of solvents, plus any over sprayed powder is collected and recycled.

CHEMICAL AND DURABILITY TESTS

When applied with the with the manufacturer's recommendations, we can confirm the following findings under test conditions:

Salt spray	ISO 7253	Pass - no corrosion creep more than 2mm from scribe.
Cycle humidity	DIN 50017 1000 hours	Pass-no blistering or loss of gloss
Chemical resistance		Generally good resistance to acids, alkalis and oils at normal temperatures.
Accelerated weathering tests	ASTM G53-93 313mm lamp, 55°C 4 HRS. UV/a hrs. Condensation cycle	50% gloss retention after 200 hrs.

System Styles & Options:

• **Gutter Styles - Various sizes available to meet flow requirements**

- Victorian Ogee (Cast Aluminium & Cast Iron)
- Half Round (Cast & Extruded Aluminium & Cast Iron)
- Beaded Half Round (Cast & Extruded Aluminium & Cast Iron)
- Molded - Ogee (Cast & Extruded Aluminium & Cast Iron)
- Box Gutters, all sizes (Profiles Aluminium)

• **Downpipes - Traditional, Contemporary & Anti-Vandal Profiles**

- Square (Aluminium & Cast Iron)
- Rectangular (Aluminium & Cast Iron)
- Circular (Aluminium & Cast Iron)

• **Roofing Materials**

- Fascias - Soffits to complement Gutter & Downpipe Styling (Pressed Aluminium)
- Wall Cappings (Pressed Aluminium)

• **Accessories**

- Hopper Heads - Standard Range or Manufactured to clients requirements (Cast & Pressed Aluminium & Cast Iron)
- Range of brackets & fittings - e.g. Sterling lugs (Cast Aluminium & Cast Iron)



Half Round - Cast Aluminium

Half Round - Gutters & Fittings

The Cast Range is a commonly specified half round shape that is fully interchangeable with gutters of similar section, making it ideal for repair and refurbishment projects as well as new buildings.

There are three normal widths in the range, 100mm, 125mm & 150mm. All gutter lengths and angles are supplied with one left hand cast-on socket viewed from the front. All outlets are supplied with two cast-on sockets.

Any specials on request.

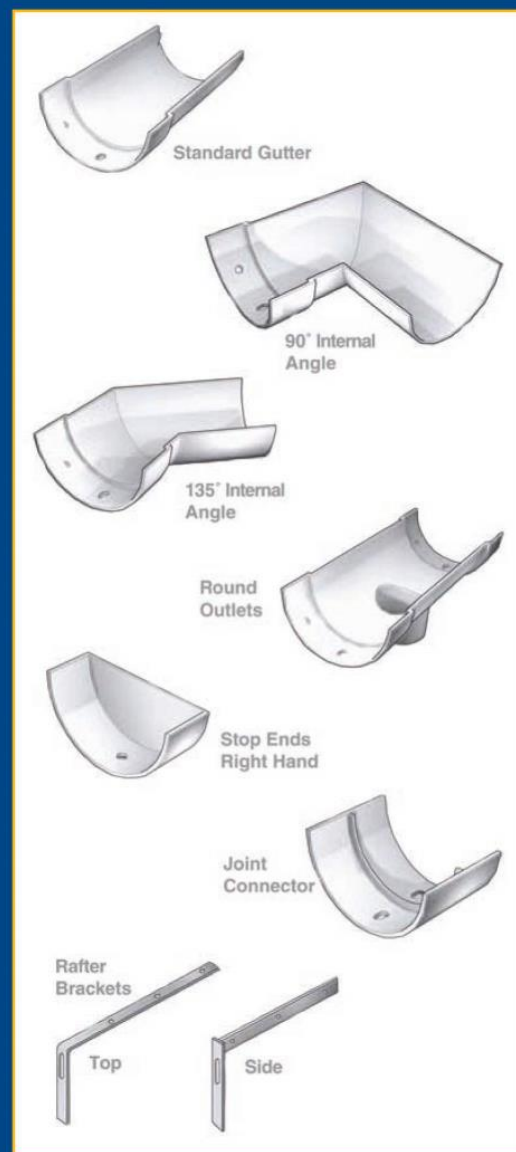
GUTTER LENGTHS			
Length	100mm - 4"	125mm - 5"	150mm - 6"
1.83m - (6ft)	ACC4/1	ACC5/1	ACC6/1

ANGLES			
Angles	100mm - 4"	125mm - 5"	150mm - 6"
External Angles 90°	ACC4/2	ACC5/2	ACC6/2
Internal Angles 90°	ACC4/3	ACC5/3	ACC6/3
External Angles 135°	ACC4/4	ACC5/4	ACC6/4
Internal Angles 135°	ACC4/5	ACC5/5	ACC6/5
Non Standard Angles	ACC4/6	ACC5/6	ACC6/6

OUTLETS			
Size	100mm - 4"	125mm - 5"	150mm - 6"
Outlet - 75mm Ø	ACC4/12	ACC5/12	ACC6/12
Outlet - 100mm Ø	N/A	ACC5/13	ACC6/13

STOP ENDS / UNIONS			
Ends / Unions	100mm - 4"	125mm - 5"	150mm - 6"
Stop Ends - RH External	ACC4/8	ACC5/8	ACC6/8
Stop Ends - LH External	ACC4/9	ACC5/9	ACC6/9
Joint Connector	ACC4/10	ACC5/10	ACC6/10

BRACKETS			
Brackets	100mm - 4"	125mm - 5"	150mm - 6"
Fascia Brackets	ACC4/7	ACC5/7	ACC6/7
Rafter Brackets - Top Fix	ACC4/20	ACC5/20	ACC6/20
Rafter Brackets - Side Fix	ACC4/21	ACC5/21	ACC6/21
Rise & Fall Brackets	ACC4/22	ACC5/22	ACC6/22



Any special Rafter Brackets on request

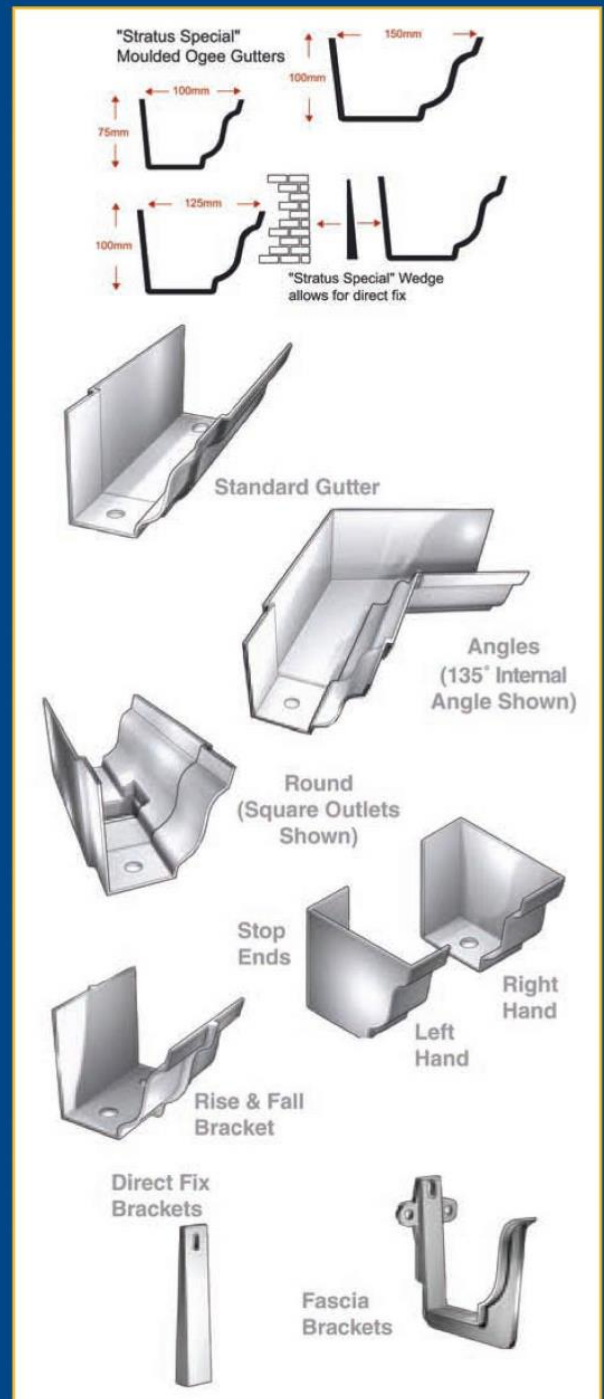
Moulded Ogee - Cast Aluminium

Moulded Ogee - Gutters & Fittings

The Cast Aluminium profile is a system designed with traditional spigot fixings. As with the extruded Aqua-Flo range, it has high a high flow capacity.

There are three sizes 100mm x 75mm, 125mm x 100mm, which have a left handed spigot, & 150mm x 100mm which have a right handed spigot.

GUTTER LENGTHS			
Length	100 x 75mm (4" x 3")	125 x 100mm (5" x 4")	150 x 100mm (6" x 4")
1.83m - (6ft)	ACCOG4/1	ACCOG5/1	ACCOG6/1
ANGLES			
Angles	100 x 75mm (4" x 3")	125 x 100mm (5" x 4")	150 x 100mm (6" x 4")
External Angles 90°	ACCOG4/2	ACCOG5/2	ACCOG6/2
Internal Angles 90°	ACCOG4/3	ACCOG5/3	ACCOG6/3
External Angles 135°	ACCOG4/4	ACCOG5/4	ACCOG6/4
Internal Angles 135°	ACCOG4/5	ACCOG5/5	ACCOG6/5
Non Standard Angles	ACCOG4/6	ACCOG5/6	ACCOG6/6
OUTLETS			
Size	100 x 75mm (4" x 3")	125 x 100mm (5" x 4")	150 x 100mm (6" x 4")
Outlet - 75mm Ø	ACCOG4/12	ACCOG5/12	ACCOG6/12
Outlet - 100mm Ø	N/A	ACCOG5/13	ACCOG6/13
Outlet - 75mm x 75mm	ACCOG4/14	ACCOG5/14	ACCOG6/14
Outlet - 100mm x 75mm	ACCOG4/15	ACCOG5/15	ACCOG6/15
Outlet - 100mm x 100mm	N/A	ACCOG5/16	ACCOG6/16
STOP ENDS / UNIONS			
Ends / Unions	100 x 75mm (4" x 3")	125 x 100mm (5" x 4")	150 x 100mm (6" x 4")
Stop Ends - Right Hand	ACCOG4/8	ACCOG5/8	ACCOG6/8
Stop Ends - Left Hand	ACCOG4/9	ACCOG5/9	ACCOG6/9
Joint Connector	ACCOG4/10	ACCOG5/10	ACCOG6/10
BRACKETS			
Brackets	100 x 75mm (4" x 3")	125 x 100mm (5" x 4")	150 x 100mm (6" x 4")
Fascia Brackets	ACCOG4/7	ACCOG5/7	ACCOG6/7
Rafter Brackets - Top Fix	ACCOG4/20	ACCOG5/20	ACCOG6/20
Rafter Brackets - Side Fix	ACCOG4/21	ACCOG5/21	ACCOG6/21
Rise & Fall Brackets	ACCOG4/22	ACCOG5/22	ACCOG6/22
Direct Fix Brackets	ACCOG4/23	ACCOG5/23	ACCOG6/23
SYSTEM TYPES			
Socket / Spigot	100 x 75mm (4" x 3")	125 x 100mm (5" x 4")	150 x 100mm (6" x 4")
Left Handed Spigot	•	•	—
Right Handed Spigot	—	—	•



Victorian Ogee Gutters - Cast Aluminium

Victorian Ogee - Gutters & Fittings

The Victorian Ogee profile is an aluminium copy based on the 19th century Victorian cast iron design. It is fully interchangeable with existing gutters of similar section and is therefore ideal for restoration and refurbishment. There are three widths in the standard range, 100mm, 113mm & 125mm.

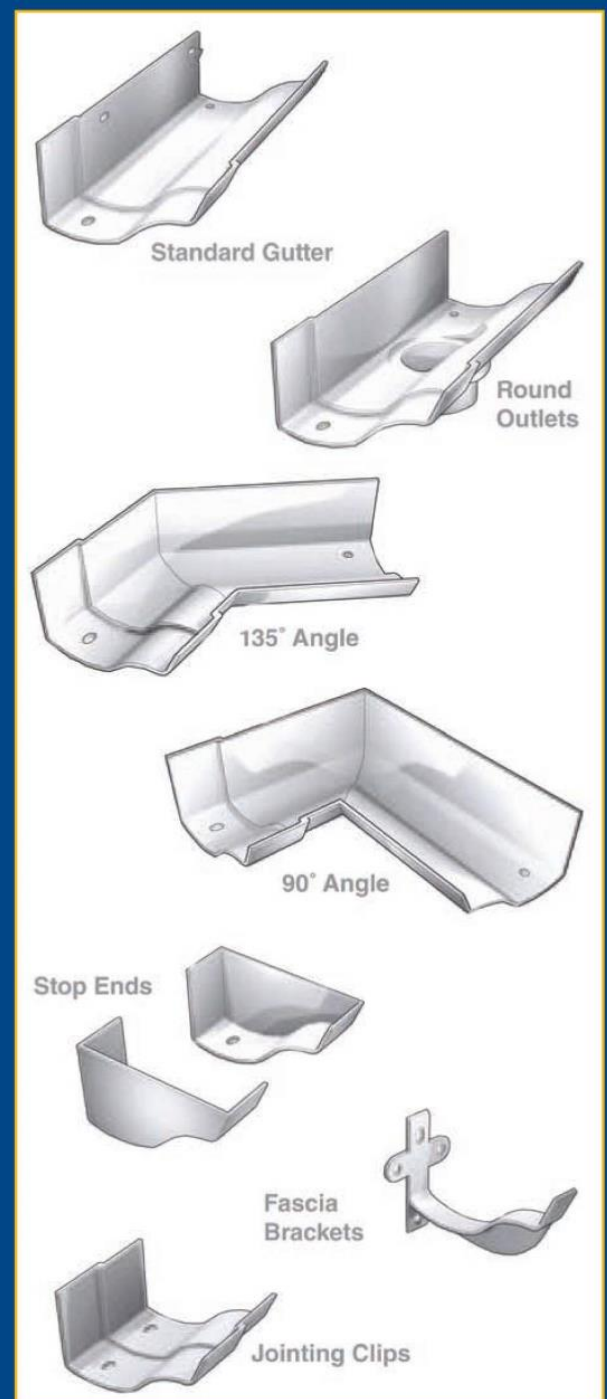
GUTTER LENGTHS			
Length	100mm - 4"	113mm - 4.5"	125mm - 5"
1.83m - (6ft)	ACCO4/1	ACCO45/1	ACCO5/1

ANGLES			
Angles	100mm - 4"	113mm - 4.5"	125mm - 5"
External Angles 90°	ACCO4/2	ACCO45/2	ACCO5/2
Internal Angles 90°	ACCO4/3	ACCO45/3	ACCO5/3
External Angles 135°	ACCO4/4	ACCO45/4	ACCO5/4
Internal Angles 135°	ACCO4/5	ACCO45/5	ACCO5/5
Non Standard Angles	ACCO4/6	ACCO45/6	ACCO5/6

OUTLETS			
Size	100mm - 4"	113mm - 4.5"	125mm - 5"
Outlet - 75mm Ø	ACCO4/12	ACCO45/12	ACCO5/12

STOP ENDS / UNIONS			
Ends / Unions	100mm - 4"	113mm - 4.5"	125mm - 5"
Stop Ends - External	ACCO4/8	ACCO45/8	ACCO5/8
Stop Ends - Internal	ACCO4/9	ACCO45/9	ACCO5/9
Joint Connector	ACCO4/10	ACCO45/10	ACCO5/10

BRACKETS			
Brackets	100mm - 4"	113mm - 4.5"	125mm - 5"
Fascia Brackets	ACCO4/7	ACCO45/7	ACCO5/7
Rafter Brackets - Top Fix	ACCO4/20	ACCO45/20	ACCO5/20
Rafter Brackets - Side Fix	ACCO4/21	ACCO45/21	ACCO5/21
Rise & Fall Brackets	ACCO4/22	ACCO45/22	ACCO5/22



Aqua-Flo

range of
Extruded Gutter
&
Pressed Gutter



AQUA-FLO - MOULDED OGEE GUTTERS - Extruded Aluminium

AQUA-FLO Moulded Ogee - Gutters & Fittings

The AQUA-FLO profile is an extruded aluminium copy of one of the oldest gutter designs, the Moulded Ogee no. 46. It's high flow capacities make it ideal for commercial and industrial buildings while it's traditional profile also lends it towards restoration and refurbishment. There are four sizes in the AQUA-FLO Ogee range, each of which is available in Mill or any Polyester Powder Coated finishes. Unlike the Victorian Ogee profile, the AQUA-FLO range does not utilise sockets and spigots but internal jointing clips to extend the gutter run. AQUA-FLO Moulded Ogee gutters are suitable for 'direct fix' or 'fascia bracket' fixing at a maximum 900mm centres, with extra fixings where required. Expansion co-efficients are incorporated into the gutter design.

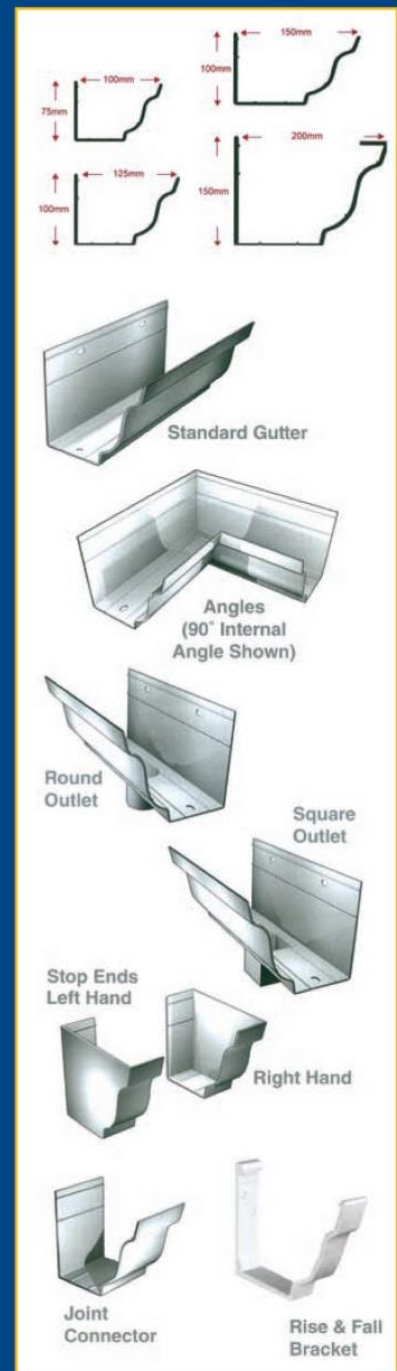
GUTTER LENGTHS				
Length	100 x 75mm (4" x 3")	125 x 100mm (5" x 4")	150 x 100mm (6" x 4")	200 x 150mm (8" x 6")
3.0m	ACO4/1/3	ACO5/1/3	ACO6/1/3	ACO8/1/3
2.5m	ACO4/1/25	ACO5/1/25	ACO6/1/25	ACO8/1/25
2.0m	ACO4/1/2	ACO5/1/2	ACO6/1/2	ACO8/1/2
1.0m	ACO4/1/1	ACO5/1/1	ACO6/1/1	ACO8/1/1
0.5m	ACO4/1/05	ACO5/1/05	ACO6/1/05	ACO8/1/05

ANGLES				
Angles	100 x 75mm (4" x 3")	125 x 100mm (5" x 4")	150 x 100mm (6" x 4")	200 x 150mm (8" x 6")
External Angles 90°	ACO4/2	ACO5/2	ACO6/2	ACO8/2
Internal Angles 90°	ACO4/3	ACO5/3	ACO6/3	ACO8/3
External Angles 135°	ACO4/4	ACO5/4	ACO6/4	ACO8/4
Internal Angles 135°	ACO4/5	ACO5/5	ACO6/5	ACO8/5
Non Standard Angles	ACO4/6	ACO5/6	ACO6/6	ACO8/6

OUTLETS				
Size	100 x 75mm (4" x 3")	125 x 100mm (5" x 4")	150 x 100mm (6" x 4")	200 x 150mm (8" x 6")
Outlet - 75mm Ø	ACO4/12	ACO5/12	ACO6/12	ACO8/3
Outlet - 100mm Ø	N/A	ACO5/13	ACO6/13	ACO8/4
Outlet - 75mm x 75mm	ACO4/14	ACO5/14	ACO6/14	ACO8/5
Outlet - 100mm x 75mm	ACO4/15	ACO5/15	ACO6/15	ACO8/5
Outlet - 100mm x 100mm	N/A	ACO5/16	ACO6/16	ACO8/5

STOP ENDS / UNIONS				
Ends / Unions	100 x 75mm (4" x 3")	125 x 100mm (5" x 4")	150 x 100mm (6" x 4")	200 x 150mm (8" x 6")
Stop Ends - Right Hand	ACO4/8	ACO5/8	ACO6/8	ACO8/8
Stop Ends - Left Hand	ACO4/9	ACO5/9	ACO6/9	ACO8/9
Joint Connector	ACO4/10	ACO5/10	ACO6/10	ACO8/10

BRACKETS				
Brackets	100 x 75mm (4" x 3")	125 x 100mm (5" x 4")	150 x 100mm (6" x 4")	200 x 150mm (8" x 6")
Fascia Brackets	ACO4/7	ACO5/7	ACO6/7	ACO8/7
Rafter Brackets - Top Fix	ACO4/20	ACO5/20	ACO6/20	ACO8/20
Rafter Brackets - Side Fix	ACO4/21	ACO5/21	ACO6/21	ACO8/21
Rise & Fall Brackets	ACO4/22	ACO5/22	ACO6/22	ACO8/22



AQUA-FLO - HALF ROUND - Extruded Aluminium

AQUA-FLO HALF ROUND - Gutters & Fittings

The AQUA-FLO range of extruded aluminium profiles uses the beading along the top edges to enhance the standard half round profile. Internal jointing clips are used instead of the socketed system resulting in clean smooth lines giving a contemporary look. The AQUA-FLO Beaded Half Round system is available in three sizes, 112mm, 125mm and 150mm.

GUTTER LENGTHS		
Length	125mm - (5")	150mm - (6")
3.0m	ACHR5/1/3	ACHR6/1/3
2.5m	ACHR5/1/25	ACHR6/1/25
2.0m	ACHR5/1/2	ACHR6/1/2
1.0m	ACHR5/1/1	ACHR6/1/1
0.5m	ACHR5/1/05	ACHR6/1/05

ANGLES		
Angles	125mm - (5")	150mm - (6")
External Angles 90°	ACHR5/2	ACHR6/2
Internal Angles 90°	ACHR5/3	ACHR6/3
External Angles 135°	ACHR5/4	ACHR6/4
Internal Angles 135°	ACHR5/5	ACHR6/5
Non Standard Angles	ACHR5/6	ACHR6/6

OUTLETS		
Size	125mm - (5")	150mm - (6")
Outlet - 75mm Ø	ACHR5/12	ACHR6/12
Outlet - 100mm Ø	ACHR5/13	ACHR6/13
Outlet - 75mm x 75mm	ACHR5/14	ACHR6/14
Outlet - 100mm x 75mm	ACHR5/15	ACHR6/15
Outlet - 100mm x 100mm	ACHR5/16	ACHR6/16

STOP ENDS / UNIONS		
Ends / Unions	125mm - (5")	150mm - (6")
Stop Ends - Both Hands	ACHR5/8	ACHR6/8
Joint Connector	ACHR5/10	ACHR6/10

BRACKETS		
Brackets	125mm - (5")	150mm - (6")
Fascia Brackets	ACHR5/7	ACHR6/7
Rafter Brackets - Top Fix	ACHR5/20	ACHR6/20
Rafter Brackets - Side Fix	ACHR5/21	ACHR6/21
Rise & Fall Brackets	ACHR5/22	ACHR6/22



Standard Gutter



90° Angle



135° Angle



Stop End



Joint Connector



Fascia Bracket

AQUA-FLO - HALF ROUND (DEEP FLOW) - Extruded Aluminium

AQUA-FLO HALF ROUND (DEEP FLOW) - Gutters & Fittings

The AQUA-FLO Deep Flow gutter system is recognised as one of the most versatile gutter systems available. It combines high capacity with aesthetic yet practical features that benefit commercial, industrial and domestic applications.

ALLOW 14 DAYS FOR SPECIAL ORDERS

**THIS ITEM IS A SPECIAL ORDER.
ALLOW 14-21 DAY LEAD TIME .**

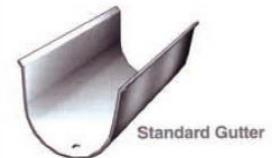
GUTTER LENGTHS	
Length	125mm x 100mm - 5" x 4"
3.0m	ACDF5/1/3
2.5m	ACDF5/1/25
2.0m	ACDF5/1/2
1.0m	ACDF5/1/1
0.5m	ACDF5/1/05

ANGLES	
Angles	125mm x 100mm - 5" x 4"
External Angles 90°	ACDF5/2
Internal Angles 90°	ACDF5/3
External Angles 135°	ACDF5/4
Internal Angles 135°	ACDF5/5
Non Standard Angles	ACDF5/6

OUTLETS	
Size	125mm x 100mm - 5" x 4"
Outlet - 75mm Ø	ACDF5/12
Outlet - 100mm Ø	ACDF5/13
Outlet - 75mm x 75mm	ACDF5/14
Outlet - 100mm x 75mm	ACDF5/15
Outlet - 100mm x 100mm	ACDF5/16

STOP ENDS / UNIONS	
Ends / Unions	125mm x 100mm - 5" x 4"
Stop Ends - Both Hands	ACDF5/8
Joint Connector	ACDF5/10

BRACKETS	
Brackets	125mm x 100mm - 5" x 4"
Fascia Brackets	ACDF5/7
Rafter Brackets - Top Fix	ACDF5/20
Rafter Brackets - Side Fix	ACDF5/21
Rise & Fall Brackets	ACDF5/22



AQUA-BX BOX GUTTER - Pressed Aluminium

AQUA-BX BOX - Gutters & Fittings

The AQUA-BX range of box gutters is fabricated from 2.0mm sheet aluminium. The range is available in five standard sizes and bespoke profiles / sizes can be manufactured to meet customer requirements. AQUA-BX Box gutters are suitable for direct fix at 600mm centres or fascia bracket fixing at maximum 900mm centres. It is recommended that when using fascia brackets, additional support by direct fixing ought to be used, especially on the larger profile sizes. Expansion co-efficients are incorporated into the gutter design. Additional fixings are recommended near cross bracings.

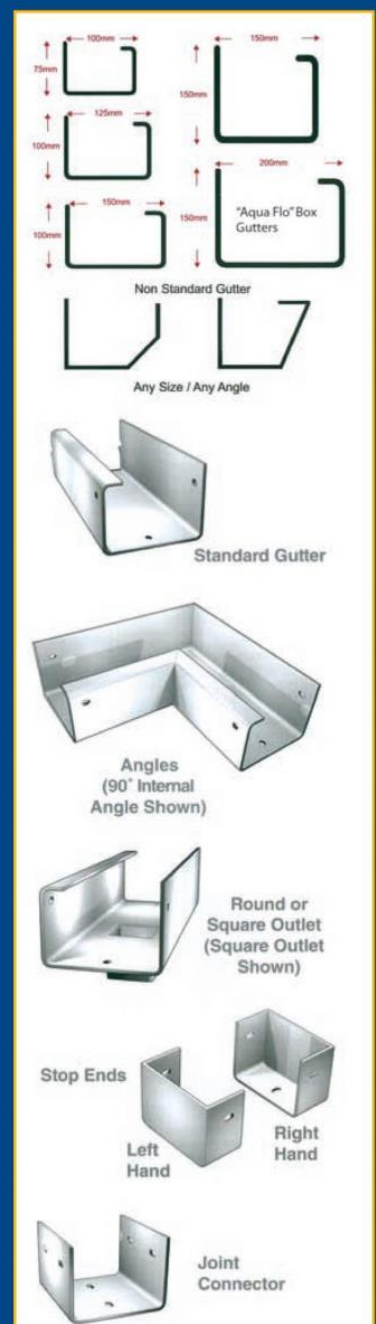
GUTTER LENGTHS					
Length	100x75mm	125x100mm	150x100mm	150x150mm	200x150mm
3.0m	ACB4/1/3	ACB5/1/3	ACB64/1/3	ACB6/1/3	ACB8/1/3
2.5m	ACB4/1/25	ACB5/1/25	ACB64/1/25	ACB6/1/25	ACB8/1/25
2.0m	ACB4/1/2	ACB5/1/2	ACB64/1/2	ACB6/1/2	ACB8/1/2
1.0m	ACB4/1/1	ACB5/1/1	ACB64/1/1	ACB6/1/1	ACB8/1/1
0.5m	ACB4/1/05	ACB5/1/05	ACB64/1/05	ACB6/1/05	ACB8/1/05

ANGLES					
Angles	100x75mm	125x100mm	150x100mm	150x150mm	200x150mm
External Angles 90°	ACB4/2	ACB5/2	ACB64/2	ACB6/2	ACB8/2
Internal Angles 90°	ACB4/3	ACB5/3	ACB64/3	ACB6/3	ACB8/3
External Angles 135°	ACB4/4	ACB5/4	ACB64/4	ACB6/4	ACB8/4
Internal Angles 135°	ACB4/5	ACB5/5	ACB64/5	ACB6/5	ACB8/5
Non Standard Angles	ACB4/6	ACB5/6	ACB64/6	ACB6/6	ACB8/6

OUTLETS					
Size	100x75mm	125x100mm	150x100mm	150x150mm	200x150mm
Outlet - 75mm Ø	ACB4/12	ACB5/12	ACB64/12	ACB6/12	ACB8/12
Outlet - 100mm Ø	N/A	ACB5/13	ACB64/13	ACB6/13	ACB8/13
Outlet - 75mm x 75mm	ACB4/14	ACB5/14	ACB64/14	ACB6/14	ACB8/14
Outlet - 100mm x 75mm	ACB4/15	ACB5/15	ACB64/15	ACB6/15	ACB8/15
Outlet - 100mm x 100mm	N/A	ACB5/16	ACB64/16	ACB6/16	ACB8/16

STOP ENDS / UNIONS					
Ends/Unions	100x75mm	125x100mm	150x100mm	150x150mm	200x150mm
Stop Ends - Left Hand	ACB4/8	ACB5/8	ACB64/8	ACB6/8	ACB8/8
Stop Ends - Right Hand	ACB4/9	ACB5/9	ACB64/9	ACB6/9	ACB8/9
Joint Connector	ACB4/10	ACB5/10	ACB64/10	ACB6/10	ACB8/10

BRACKETS					
Brackets	100x75mm	125x100mm	150x100mm	150x150mm	200x150mm
Fascia Brackets	ACB4/7	ACB5/7	ACB64/7	ACB6/7	ACB8/7
Rafter Brackets - Top Fix	ACB4/20	ACB5/20	ACB64/20	ACB6/20	ACB8/20
Rafter Brackets - Side Fix	ACB4/21	ACB5/21	ACB64/21	ACB6/21	ACB8/21
Rise & Fall Brackets	ACB4/22	ACB5/22	ACB64/22	ACB6/22	ACB8/22



Heritage Range Downpipes - Aluminium

Heritage Range - Downpipes

The Alu-cast range of round, square and rectangular downpipes have a Heritage style diecast socket, which is factory fitted to each extruded length. The socket detail has double rings and is available with or without fixing ears. When ordering bends and Y junctions with ears, please indicate if you require left or right handed. A wide variety of extension brackets and clips can be made to order.

PIPE LENGTHS					
	Square & Rectangular Pipes			Circular Pipes	
Length	75 x 75mm (3" x 3")	100 x 75mm (4" x 3")	100 x 100mm (4" x 4")	76mm Ø (3")	100mm Ø (4")
3.0m	ACCSP3C/3	ACCSP43/C/3	ACCSP4/C/3	ACCRP3/C/3	ACCRP4/C/3
2.5m	ACCSP3C/25	ACCSP43/C/25	ACCSP4/C/25	ACCRP3/C/25	ACCRP4/C/25
2.0m	ACCSP3C/2	ACCSP43/C/2	ACCSP4/C/2	ACCRP3/C/2	ACCRP4/C/2
1.0m	ACCSP3C/1	ACCSP43/C/1	ACCSP4/C/1	ACCRP3/C/1	ACCRP4/C/1
0.5m	ACCSP3C/05	ACCSP43/C/05	ACCSP4/C/05	ACCRP3/C/05	ACCRP4/C/05
150mm Diameter pipes available on request					

BENDS					
	Square & Rectangular Pipes			Circular Pipes	
Bends	75 x 75mm (3" x 3")	100 x 75mm (4" x 3")	100 x 100mm (4" x 4")	76mm Ø (3")	100mm Ø (4")
92.5° - 112.5° - 135° - NS	ACCSP3C/8	ACCSP43/C/8	ACCSP4/C/8	ACCRP3/C/8	ACCRP4/C/8
Rainwater Shoes	ACCSP3C/12	ACCSP43/C/12	ACCSP4/C/12	ACCRP3/C/12	ACCRP4/C/12
Access Plate	ACCSP3C/13	ACCSP43/C/13	ACCSP4/C/13	ACCRP3/C/13	ACCRP4/C/13
Access Pipes 10.5m	ACCSP3C/14	ACCSP43/C/14	ACCSP4/C/14	ACCRP3/C/14	ACCRP4/C/14

PROJECTION OFFSET					
	Square & Rectangular Pipes			Circular Pipes	
Projection Offset	75 x 75mm (3" x 3")	100 x 75mm (4" x 3")	100 x 100mm (4" x 4")	76mm Ø (3")	100mm Ø (4")
63mm - 149mm 1 part	ACCSP3C/4	ACCSP43/C/4	ACCSP4/C/4	ACCRP3/C/4	ACCRP4/C/4
150mm - 400mm 2 part	ACCSP3C/5	ACCSP43/C/5	ACCSP4/C/5	ACCRP3/C/5	ACCRP4/C/5
401mm - 750mm 2 part	ACCSP3C/6	ACCSP43/C/6	ACCSP4/C/6	ACCRP3/C/6	ACCRP4/C/6
751mm - 1000mm 2 part	ACCSP3C/7	ACCSP43/C/7	ACCSP4/C/7	ACCRP3/C/7	ACCRP4/C/7
Offsets under 149mm manufactured in one piece					

Heritage Range Downpipes - Aluminium - Continued

BENDS					
	Square & Rectangular Pipes			Circular Pipes	
Bends	75 x 75mm (3" x 3")	100 x 75mm (4" x 3")	100 x 100mm (4" x 4")	76mm Ø (3")	100mm Ø (4")
92.5° - 112.5° - 135° - NS	ACCSP3C/15	ACCSP43/C/15	ACCSP4/C/15	ACCRP3/C/15	ACCRP4/C/15

BRACKETS & COLLARS					
	Square & Rectangular Pipes			Circular Pipes	
Brackets	75 x 75mm (3" x 3")	100 x 75mm (4" x 3")	100 x 100mm (4" x 4")	76mm Ø (3")	100mm Ø (4")
Flush Fit	ACCSP3C/20	ACCSP43/C/20	ACCSP4/C/20	ACCRP3/C/20	ACCRP4/C/20
Extended 30mm Stand-off	ACCSP3C/21	ACCSP43/C/21	ACCSP4/C/21	ACCRP3/C/21	ACCRP4/C/21
Extended 2 part variable	ACCSP3C/22	ACCSP43/C/22	ACCSP4/C/22	ACCRP3/C/22	ACCRP4/C/22
Cast Collar with Ears	ACCSP3C/23	ACCSP43/C/23	ACCSP4/C/23	ACCRP3/C/23	ACCRP4/C/23
Cast Collar Plain	ACCSP3C/24	ACCSP43/C/24	ACCSP4/C/24	ACCRP3/C/24	ACCRP4/C/24



Modern Extruded Aluminium Pipes with Swaged Joints

Modern - Extruded Aluminium Pipes with Swaged Joints

The Modern range of extruded aluminium pipes incorporate a swaged jointing system with separate wall fixing brackets. These brackets can either be as standard or a special design to accommodate stand-off requirements. The pipe range is available in diameters 75mm, 100mm & 150mm in round profile, and 75mm x 75mm, 100mm x 100mm & 150mm x 150mm in square profile.

PIPE LENGTHS						
	Square & Rectangular Pipes			Circular Pipes		
Length	75 x 75mm (3" x 3")	100 x 75mm (4" x 3")	100 x 100mm (4" x 4")	76mm Ø (3")	100mm Ø (4")	150mm Ø (6")
3.0m	ACCSP3/S/3	ACCSP43/S/3	ACCSP4/S/3	ACCRP3/S/3	ACCRP4/S/3	ACCRP6/S/3
2.5m	ACCSP3/S/25	ACCSP43/S/25	ACCSP4/S/25	ACCRP3/S/25	ACCRP4/S/25	ACCRP6/S/25
2.0m	ACCSP3/S/2	ACCSP43/S/2	ACCSP4/S/2	ACCRP3/S/2	ACCRP4/S/2	ACCRP6/S/2
1.0m	ACCSP3/S/1	ACCSP43/S/1	ACCSP4/S/1	ACCRP3/S/1	ACCRP4/S/1	ACCRP6/S/1
0.5m	ACCSP3/S/05	ACCSP43/S/05	ACCSP4/S/05	ACCRP3/S/05	ACCRP4/S/05	ACCRP6/S/05

BENDS						
	Square & Rectangular Pipes			Circular Pipes		
Bends	75 x 75mm (3" x 3")	100 x 75mm (4" x 3")	100 x 100mm (4" x 4")	76mm Ø (3")	100mm Ø (4")	150mm Ø (6")
92.5° - 112.5° - 135° - NS	ACCSP3/S/8	ACCSP43/S/8	ACCSP4/S/8	ACCRP3/S/8	ACCRP4/S/8	ACCRP6/S/8
Rainwater Shoes	ACCSP3/S/12	ACCSP43/S/12	ACCSP4/S/12	ACCRP3/S/12	ACCRP4/S/12	ACCRP6/S/12
Access Plate	ACCSP3/S/13	ACCSP43/S/13	ACCSP4/S/13	ACCRP3/S/13	ACCRP4/S/13	ACCRP6/S/13
Access Pipes 0.5m	ACCSP3/S/14	ACCSP43/S/14	ACCSP4/S/14	ACCRP3/S/14	ACCRP4/S/14	ACCRP6/S/14

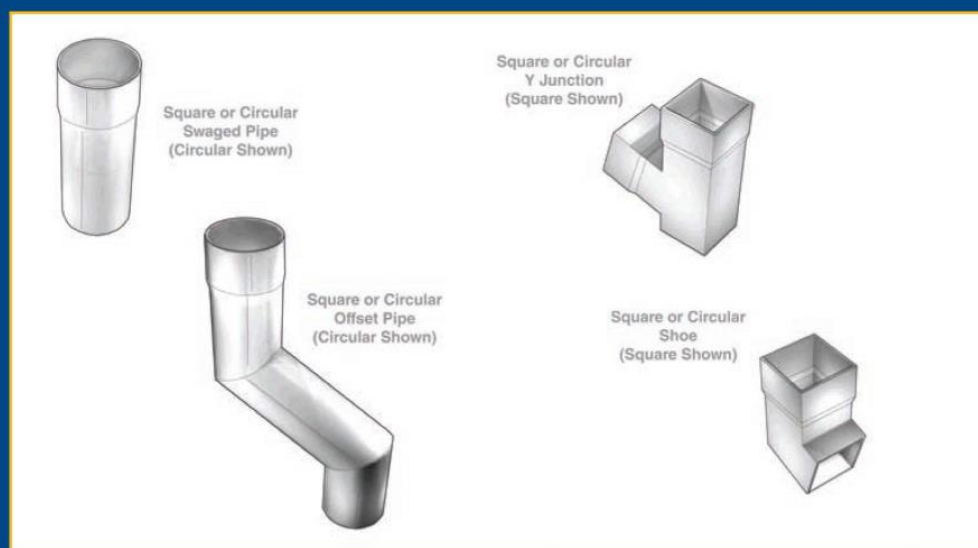
PROJECTION OFFSET						
	Square & Rectangular Pipes			Circular Pipes		
Projection Offset	75 x 75mm (3" x 3")	100 x 75mm (4" x 3")	100 x 100mm (4" x 4")	76mm Ø (3")	100mm Ø (4")	150mm Ø (6")
150mm - 400mm 2 part	ACCSP3/S/5	ACCSP43/S/5	ACCSP4/S/5	ACCRP3/S/5	ACCRP4/S/5	ACCRP6/S/5
401mm x 750mm 2 part	ACCSP3/S/6	ACCSP43/S/6	ACCSP4/S/6	ACCRP3/S/6	ACCRP4/S/6	ACCRP6/S/6
751mm - 1000mm 2 part	ACCSP3/S/7	ACCSP43/S/7	ACCSP4/S/7	ACCRP3/S/7	ACCRP4/S/7	ACCRP6/S/7

Offsets under 149mm manufactured in one piece

Modern Extruded Aluminium Pipes with Swaged Joints - *Continued*

Y JUNCTIONS						
	Square & Rectangular Pipes			Circular Pipes		
Y Junctions	75 x 75mm (3" x 3")	100 x 75mm (4" x 3")	100 x 100mm (4" x 4")	76mm Ø (3")	100mm Ø (4")	150mm Ø (6")
92.5° - 112.5° - 135° - NS	ACCSP3/S/15	ACCSP43/S/15	ACCSP4/S/15	ACCRP3/S/15	ACCRP4/S/15	ACCRP6/S/15

BRACKETS & COLLARS						
	Square & Rectangular Pipes			Circular Pipes		
Brackets	75 x 75mm (3" x 3")	100 x 75mm (4" x 3")	100 x 100mm (4" x 4")	76mm Ø (3")	100mm Ø (4")	150mm Ø (6")
Flush Fit	ACCSP3S/20	ACCSP43/S/20	ACCSP4/S/20	ACCRP3/S/20	ACCRP4/S/20	ACCRP6/S/20
Extended 30mm Stand-off	ACCSP3S/21	ACCSP43/S/21	ACCSP4/S/21	ACCRP3/S/21	ACCRP4/S/21	ACCRP6/S/21
Extended 2 part variable	ACCSP3S/22	ACCSP43/S/22	ACCSP4/S/22	ACCRP3/S/22	ACCRP4/S/22	ACCRP6/S/22
Spun Collar: Oblique Connectors	ACCSP3S/23	ACCSP43/S/23	ACCSP4/S/23	ACCRP3/S/23	ACCRP4/S/23	ACCRP6/S/23



Anti-Vandal Downpipes

ALUMINIUM RAINWATER PIPE MATERIALS

PRODUCT

101mm x 101mm Anti-Vandal RWP.

MATERIAL

Aluminium Extrusion 6060, T6 to BS1474:1972.

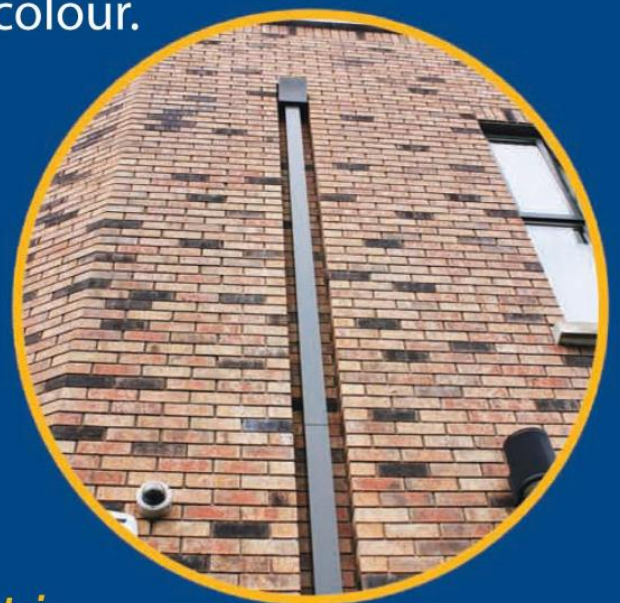
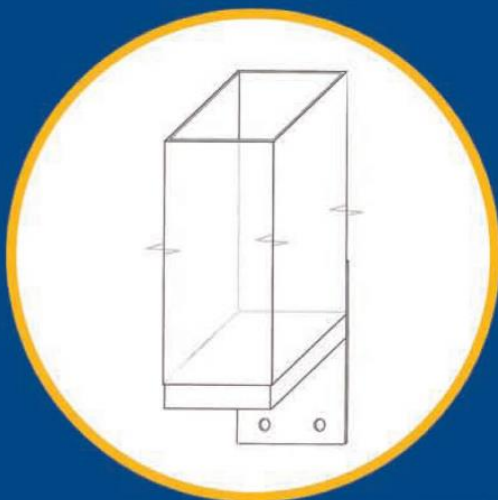
FIXING

Concealed 3.0mm Aluminium fixing plate at centres less than 2.0m

2 no. 6mm \varnothing recessed fixing holes per plate.

FINISH

Mill (plain) Finish or Powder Coated (to BS6496:1984) to selected RAL colour.



Cast Aluminium Hopper Selection



ACH 1

W: 11" H: 9" D: 9"



ACH 2

W: 16" H: 7" D: 7"



ACH 3

W: 10" H: 7" D: 7"



ACH 4

W: 8" H: 7" D: 6"



ACH 5b

W: 10" H: 7" D: 7"



ACH 6

W: 13" H: 7" D: 7"



ACH 7

W: 12" H: 9" D: 8"



ACH 8

W: 12" H: 11" D: 8"

Many more available to order
www.alucast.ie

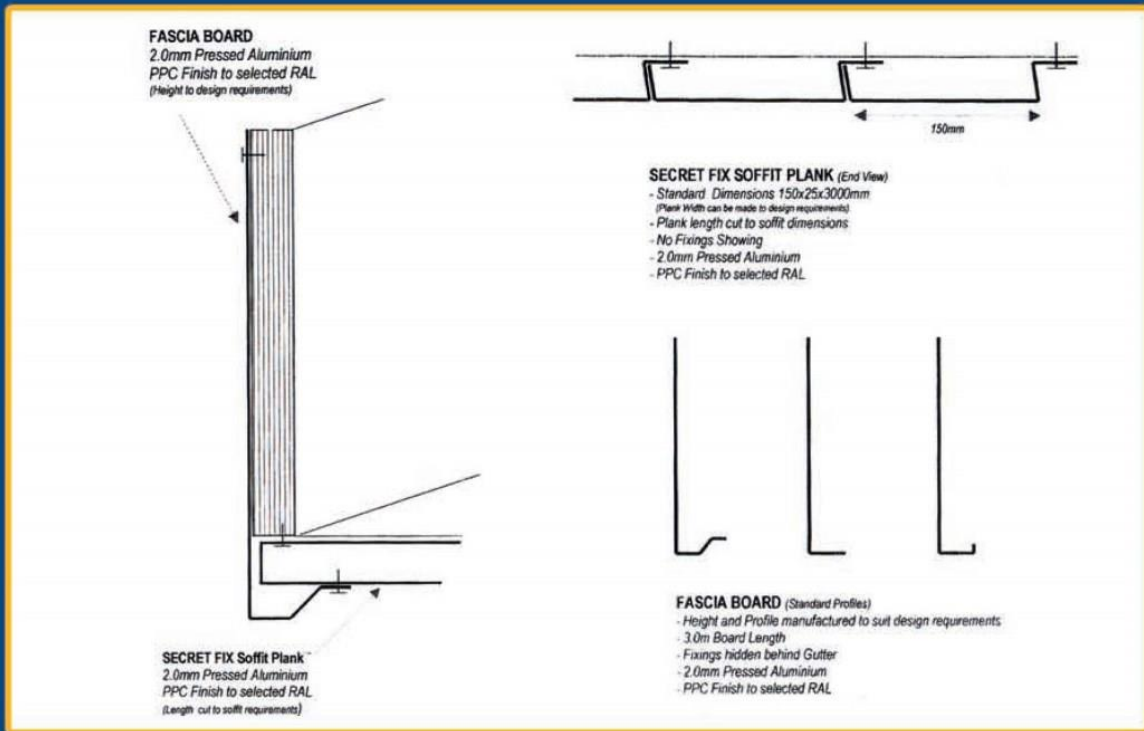
Cast Iron Hopper Selection



Many more available to order

www.alucast.ie

Fascia Soffit Systems



ANY SIZES

All our fascia soffit systems are pressed from 2mm aluminium and produced to your spec.

All soffits are produced to have a secret fix system and all are available to any colour.

We stock standard sizes for immediate delivery and have a 7 day turn around on any colour.



Contact your Agent for further details.

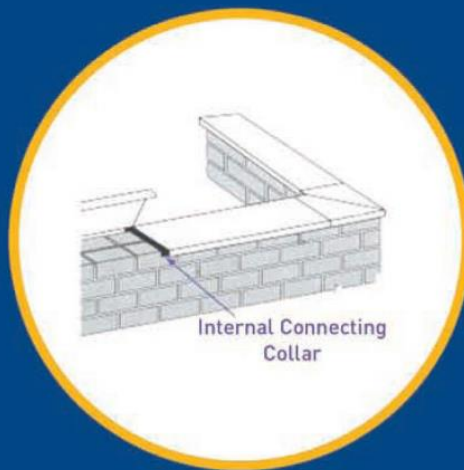
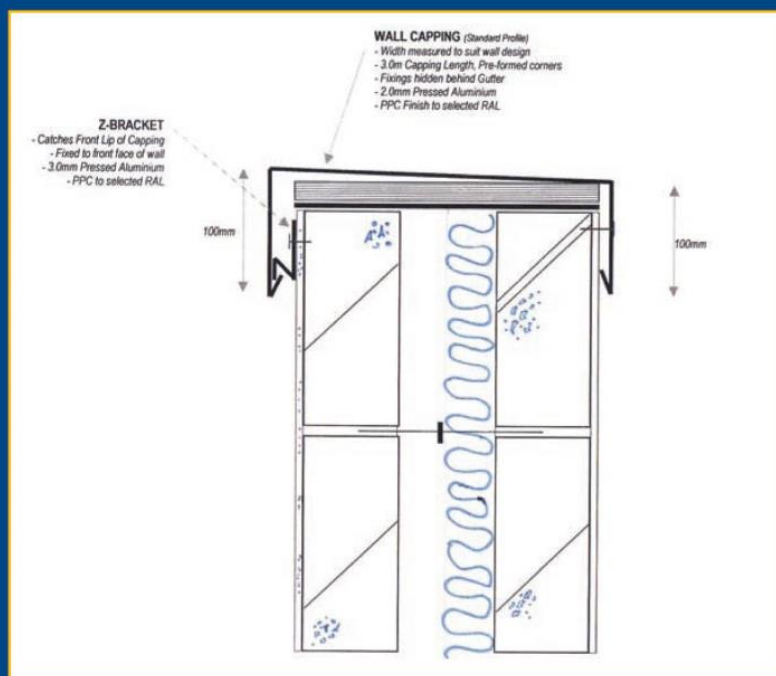
www.alucast.ie

Bespoke Parapet Cappings

All our parapet and wall cappings are designed with you and are unique to your build. We can produce curved or faceted cappings to suit your requirements and powder coat to any colour.

We also use a marine grade powder coat for any coastal location.

Contact our Agents now to discuss your requirements.



*Experts in all aluminium fabrication
and any one off designs & projects*

*We have worked on a wide range of projects
including the following:*

- Access Ladders
- Rainwater Tanks
- Intercom Boxes
- Display Units
- Sample Boards
- Site Tool Boxes
- Security Gates
- Louvers & Vent Covers



All Powder coated to any colour.

INSTALLATION, CARE AND MAINTENANCE

Installation

Handling and Storage

All components should be handled with care to avoid damage and stored on level ground clear of traffic and under cover.

Cutting and drilling

Gutter and pipe sections can be cut and drilled on site with normal metalworking tools, and holes or slots formed to accommodate fixings.

Where powder coated materials are cut it is recommended that exposed edges are painted with a matching enamel touch-up paint.

Gutter Falls

Bracket support: Where possible a fall of 1:600 to 1:350 (maximum) should be allowed for. However gutters can be laid level if this is not possible.

Gutter fixing

Outlets and angles should be positioned first, followed by full lengths of gutter, and finally infill lengths cut to fit at the plain end. Screw brackets to fascia board at maximum 915mm centres. Allow one extra bracket for each angle or outlet.

Gutter Jointing

All gutters generally overlap at the joint with a spigot or socket. Slots are provided for fixing by bolts, nuts and washers to provide support and retention of the union, together with a suitable sealant. Thoroughly clean joints and wipe dry. Unpainted cast gutters should be primed. Apply sufficient sealant between the gutter and socket union clip so that some squeezes out of joint when tightened. A minimum 3mm thickness should be applied right across the joint and around the holes.

Screws in the sole should be tightened first. Do not overtighten screws. Clean off surplus sealant.

Use M6 mushroom head aluminium screws with aluminium nuts and washers.

Care and Maintenance

Routine Inspection

Regularly clean out rainwater heads and gutters and ensure that downpipes are clean at all times. Check that joints and fixings are secure by periodic inspection, not less than twice a year and preferably at the beginning of Autumn and again at the end of Winter. Brush down unpainted surfaces lightly to inspect if required. Plain finish goods will develop a natural grey aluminium oxide coating which forms a hard protective layer, preventing additional oxidation.

Ladders

Even with a well fixed installation ladder should not be rested against the gutters.

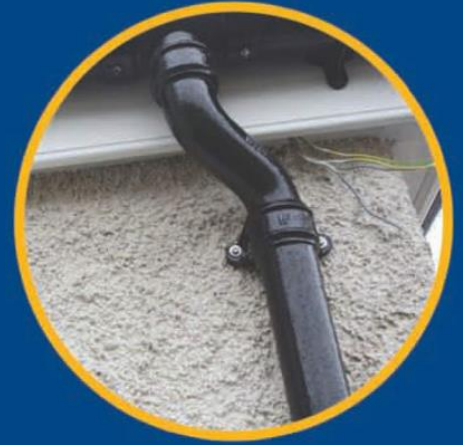
Polyester Powder Coatings

Clean polyester coated surfaces by regularly washing down with a warm detergent solution, and maintain paintwork in good condition. Do not clean with caustic or abrasive materials. In aggressive atmospheres such as marine environments and industrial areas BS 6496:1984 required this cleaning to be carried out up to three month intervals to maintain optimum appearance and durability.

Site Testing

Allow for sufficient curing time of the sealant. The gutter outlet should be plugged, and the gutter filled with water to the overflow level. After 5 minutes the joints should be checked visually for evidence of leaks.

Photo Gallery





Widest Selection Available



*Agents
Nationwide*

Supplied by:

www.alucast.ie

With Compliments