

INK JET FEEDER SERIES



- ▶▶ FEEDS TRI-FOLDS, Z-FOLDS, POSTCARDS, ENVELOPES, SELF-MAILERS AND THIN SHEETS
- ▶▶ MINIMAL OPERATOR EXPERIENCE REQUIRED
- ▶▶ SETUP IS QUICK AND EASY
- ▶▶ FAST RETURN ON INVESTMENT
- ▶▶ REPLACES THE SHUTTLE FEEDER IN SECONDS

TYPE OF UNIT: INK JET / TABBER FEEDER

Ink-Jet Applications: Designed to interface with all makes and models of ink jet bases and tabbers. Great for all continuous feed applications. Also for in-line conveyor applications.

▶▶ For more information contact your authorized dealer at: 1-800-INSERTER(467-3783)

INK-JET

KEY FEATURES

PRODUCT GUIDE

Keeps product uniform.

HEAVY-DUTY FEEDER BODY CONSTRUCTION

3/4" powdercoated feeder body construction ensures strength and durability.

DYNAMIC ROTATION TECHNOLOGY

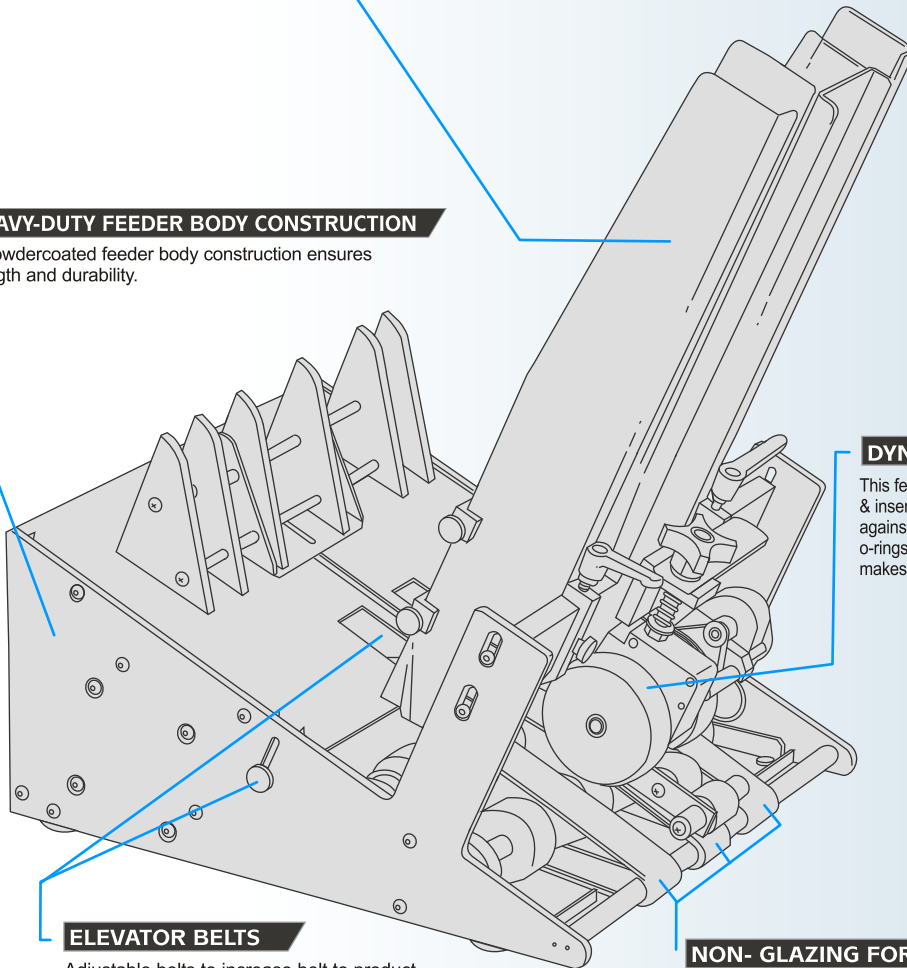
This feature comes standard in our top of the line feeders & inserters. The Gold Separator Wheel counter rotates against the flow of material which gives the separator o-rings even wear and no "flat spots". The large diameter makes for a perfect pre-shingle prior to the nip point

ELEVATOR BELTS

Adjustable belts to increase belt to product friction. This eliminates "slip feeding".

NON- GLAZING FORMULA BELTS

This eliminates the slip feeding issues created by large stacks, over weight feed stacks, slick or coated stock.



TECHNICAL SPECIFICATIONS

	SE1200 IJ / ECO 1200 IJ	1800 IJ
Product Size Maximum	12 1/4"-W x 14"-L	18"-W x 14"-L
Product Size Minimum	3" -W x 2"- L	3" -W x 2"- L
Product Thickness Max.	.75"	.75"
Product Thickness Min.	.004"	.004"
RCM / Sort Break	Optional	Optional
Hopper Capacity	20" Vertical	20" Vertical
Remote Start / Stop	110, 24, 5 AC - 24 DC	110, 24, 5 AC - 24 DC
Electrical	120/240 VAC	120/240 VAC
Speed	Variable 20 -550 ft/min.	Variable 20 -550 ft/min.
Drive Motor	Variable DC	Variable DC
Warranty	2 Year Limited	2 Year Limited

All Specifications are subject to change.

SPECIFICATIONS & APPLICATIONS



Se 1200 IJ interfaced with an Ink Jet System.

- ▶▶ The Ink Jet feeder is designed to work with all makes and models of ink jet bases and tabbers.
- ▶▶ The set up is quick and simple with minimal operator experience required to be productive.
- ▶▶ The width range of 3" to 18" allows for many types of material to be fed. Troublesome material such as Tri-folds, Z-Folds, postcards, thin sheets, single sheets, magazine and envelopes feed much easier.

▶▶ **simply innovative**

SURE-FEED ENGINEERING

12050 49th STREET NORTH, CLEARWATER FL. 33762-4301
 PHONE: 727.571.3330 FAX: 727.571.3443 TOLL FREE: 1.800.INSERTER

visit us on the worldwide web at :www.sure-feed.com
 e-mail: sales@sure-feed.com

