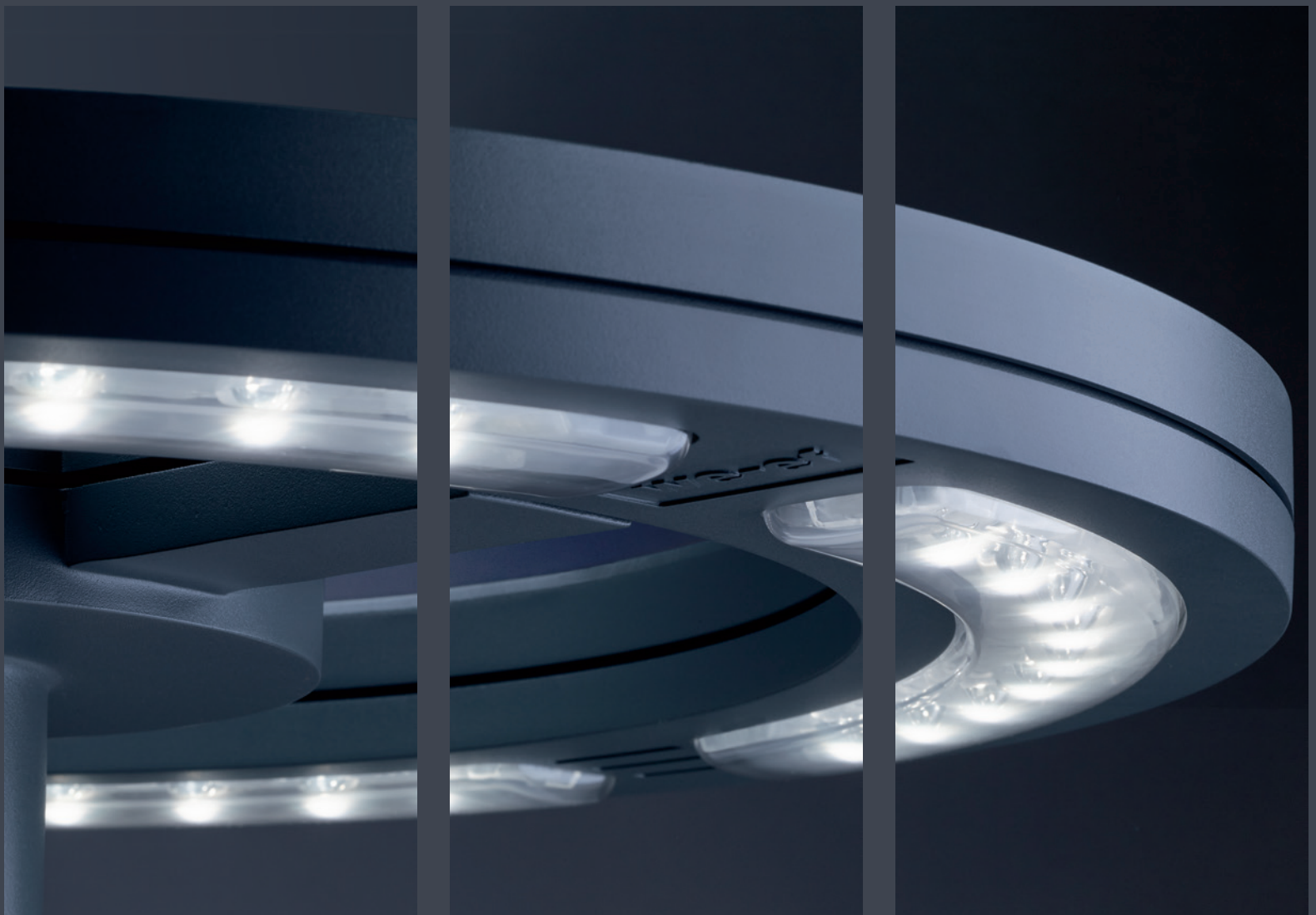


**we-ef**

**WE-EF LEUCHTEN**  
**General Catalogue**  
European Edition  
2016–2018



## IOS® Beam distributions for area floodlights

[S60] streetlighting

[S65] streetlighting

[A60] forward throw, asymmetric

[R65] rectangular forward throw

# Area floodlights



FLA700 LED 342



FLA700 344

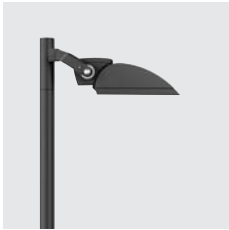


**ACCESSORIES FLA700**

- Mounting 352
- Electrical 352
- Optical 356



FLA400 LED 358



FLA400 360



**ACCESSORIES FLA400**

- Mounting 364
- Optical 368

## FLA700 SERIES

Floodlight, side or forward throw distribution, asymmetric.

IP66, Class I. IK08. Marine-grade die-cast aluminium alloy. 5CE superior corrosion protection including PCS hardware. Powdercoat finish in RAL 9004, RAL 9006, RAL 9007 or RAL 9016. Silicone rubber gaskets. Safety glass lens, hinged.

Protractor scale for accurate aiming from 0° to 15° above horizontal.

Integral EC electronic converter.

Factory installed LED circuit board. LED boards can be easily removed for upgrading. PMMA OLC® LED lenses for superior illumination and glare control.

Recommended mounting height 2.5-12.0 m, depending on lamp type selected.

### Light source

LED 24-72 W, 4000 K,  
for 3000 K refer to [www.we-ef.com](http://www.we-ef.com)

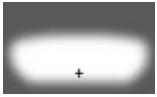
### Light distributions

[S65] [A60] [R65]

### Accessories

■ Mounting, page 352



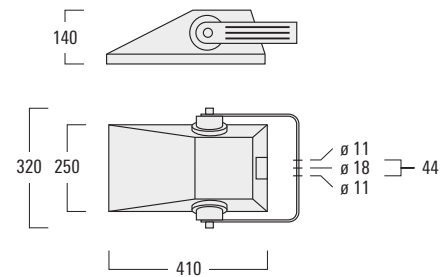


[S65] Streetlighting distribution

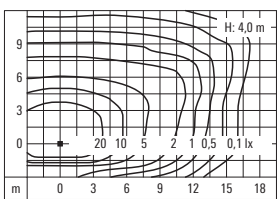
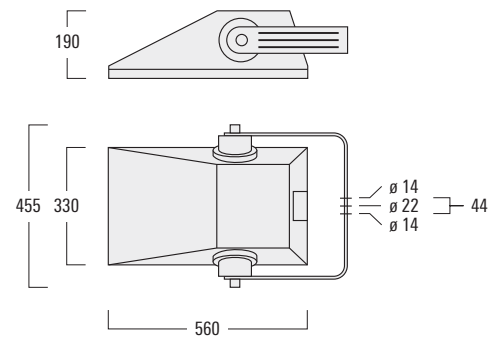


[S65]	Part ID	Light source	K	lm*	Factor**	kg
FLA730	147-0686	12 LED 24W / 700 mA	4000	2951	1.00	7.4
	147-0716	18 LED 36W / 700 mA	4000	4427	1.50	7.4
	147-0704	12 LED 36W / 1050mA	4000	5400	1.83	7.4
	147-0692	18 LED 54W / 1050 mA	4000	8100	2.75	7.4
FLA740	147-0710	18 LED 36W / 700 mA	4000	4427	1.50	9.6
	147-0722	24 LED 48W / 700 mA	4000	5903	2.00	9.6
	147-0698	18 LED 54W / 1050 mA	4000	8100	2.75	9.6
	147-0680	24 LED 72W / 1050 mA	4000	10800	3.66	9.6

FLA730



FLA740



[S65]

\* Nominal lumen output based on LED manufacturers data at 85°C T<sub>J</sub>. For rated lumens at 25°C T<sub>q</sub> and latest data refer to [www.we-ef.com](http://www.we-ef.com).  
 \*\* Multiplier for Isolux value

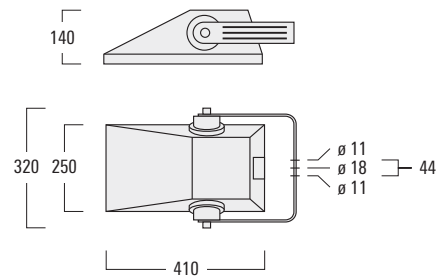


[A60] Forward throw distribution, asymmetric

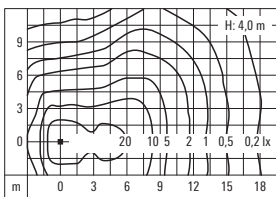
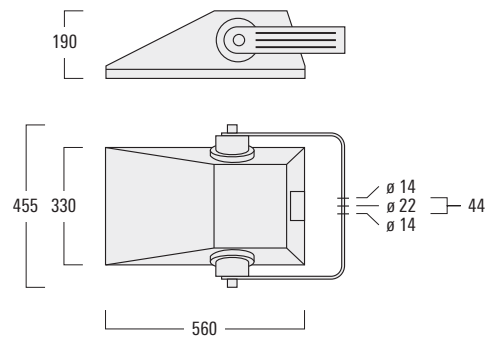
[A60]	Part ID	Light source	K	lm*	Factor**	kg
FLA730	147-0690	12 LED 24W / 700 mA	4000	2951	1.00	7.4
	147-0720	18 LED 36W / 700 mA	4000	4427	1.50	7.4
	147-0708	12 LED 36W / 1050mA	4000	5400	1.83	7.4
FLA740	147-0696	18 LED 54W / 1050 mA	4000	8100	2.75	7.4
	147-0714	18 LED 36W / 700 mA	4000	4427	1.50	9.6
	147-0726	24 LED 48W / 700 mA	4000	5903	2.00	9.6
	147-0702	18 LED 54W / 1050 mA	4000	8100	2.75	9.6
	147-0684	24 LED 72W / 1050 mA	4000	10800	3.66	9.6



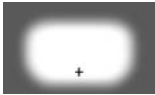
FLA730



FLA740



[A60]

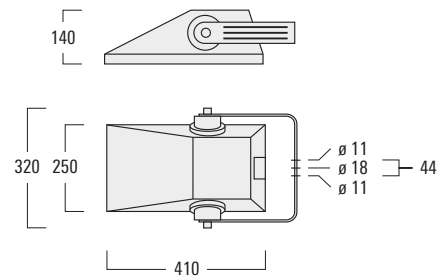


[R65] Rectangular forward throw distribution

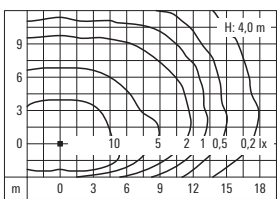
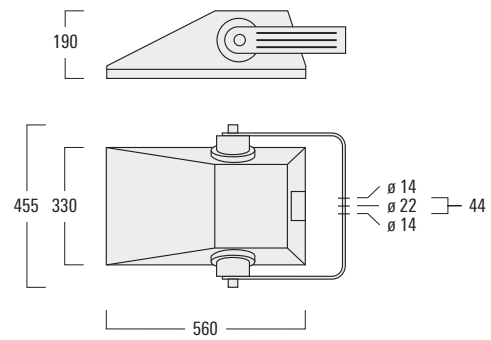


[R65]	Part ID	Light source	K	lm*	Factor**	kg
FLA730	147-0688	12 LED 24W / 700 mA	4000	2951	1.00	7.4
	147-0718	18 LED 36W / 700 mA	4000	4427	1.50	7.4
	147-0706	12 LED 36W / 1050mA	4000	5400	1.83	7.4
FLA740	147-0694	18 LED 54W / 1050 mA	4000	8100	2.75	7.4
	147-0712	18 LED 36W / 700 mA	4000	4427	1.50	9.6
	147-0724	24 LED 48W / 700 mA	4000	5903	2.00	9.6
	147-0700	18 LED 54W / 1050 mA	4000	8100	2.75	9.6
	147-0682	24 LED 72W / 1050 mA	4000	10800	3.66	9.6

FLA730



FLA740



[R65]

\* Nominal lumen output based on LED manufacturers data at 85°C T<sub>J</sub>. For rated lumens at 25°C T<sub>q</sub> and latest data refer to [www.we-ef.com](http://www.we-ef.com).  
 \*\* Multiplier for Isolux value

## FLA700 SERIES

Floodlight, side or forward throw distribution, asymmetric.

IP66, Class I, IK08. Marine-grade die-cast aluminium alloy. 5CE superior corrosion protection including PCS hardware. Powdercoat finish in RAL 9004, RAL 9006, RAL 9007 or RAL 9016. Silicone rubber gaskets. Safety glass lens, hinged. Anodised aluminium reflector.

Protractor scale for accurate aiming from 0° to 15° above horizontal.

Integral HPF or ECG control gear on hinged and 'no tool' removable gear tray.

Recommended mounting height 2.5-12.0 m, depending on lamp type selected.

### Light source

TC 32-57 W

HIT 45-400 W

HST 70-400 W

### Light distribution

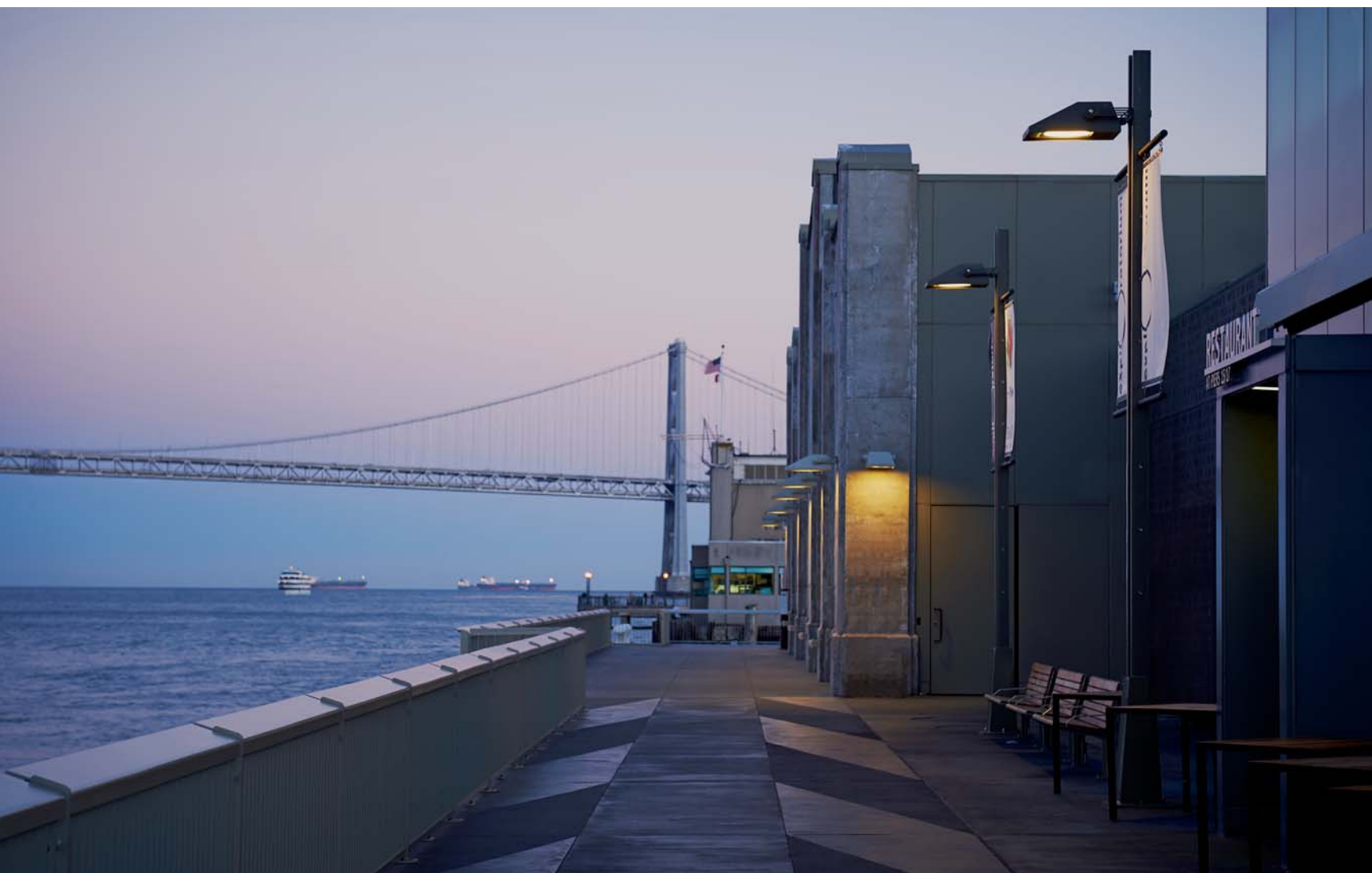
[S60] [A60]

### Accessories

■ Mounting, page 352

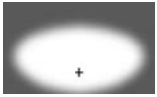
■ Electrical, page 352

■ Optical, page 356

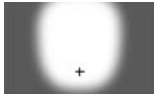


Exploratorium. San Francisco, California (USA). Architect: EHDD. Lighting design: David Nelsen & Associates.





[S60]



[A60]

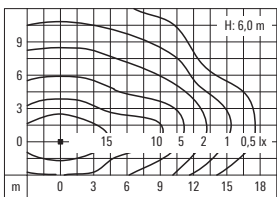
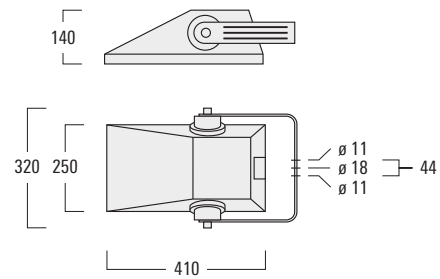
[S60] Side throw distribution, asymmetric

[A60] Forward throw distribution, asymmetric

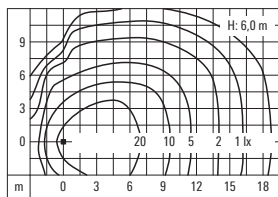


[S60]	Part ID	Light source	lm	Factor*	kg
FLA730	147-0334 [ECG]	TC-TELI 32W GX24q-3	2400	0.56	7.4
	147-0503 [ECG]	HIT-COS 45W PGZ12	4300	1.00	8.0
	147-0472 [ECG]	HIT-COS 60W PGZ12	6850	1.59	8.0
	147-0504 [ECG]	HIT-CE 20W G12	1650	0.38	7.4
	147-0335 [ECG]	HIT-CE 35W G12	3600	0.84	7.4
	147-0336 [ECG]	HIT-CE 70W G12	7300	1.70	7.4

[A60]	Part ID	Light source	lm	Factor*	kg
FLA730	147-0337 [ECG]	TC-TELI 32W GX24q-3	2400	0.56	7.4
	147-0509 [ECG]	HIT-COS 45W PGZ12	4300	1.00	8.0
	147-0512 [ECG]	HIT-COS 60W PGZ12	6850	1.59	8.0
	147-0510 [ECG]	HIT-CE 20W G12	1650	0.38	7.4
	147-0338 [ECG]	HIT-CE 35W G12	3600	0.84	7.4
	147-0339 [ECG]	HIT-CE 70W G12	7300	1.70	7.4

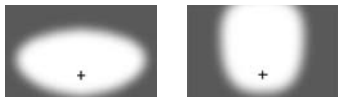


[S60]



[A60]

\* Multiplier for Isolux value



[S60]

[A60]

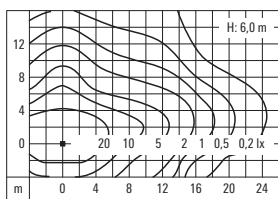
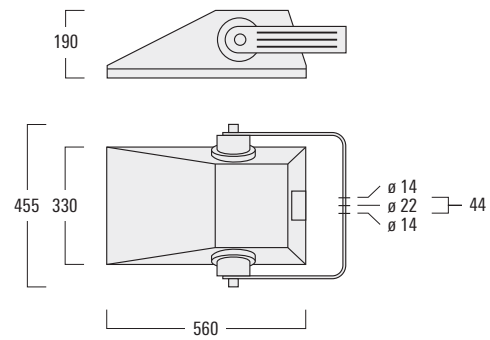
[S60] Side throw distribution, asymmetric

[A60] Forward throw distribution, asymmetric

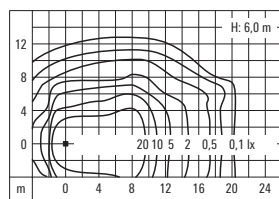


[S60]	Part ID	Light source	lm	Factor*	kg
FLA740	147-0268 [ECG]	TC-TELI 42W GX24q-4	3200	0.46	9.1
	147-0228 [ECG]	TC-TELI 57W GX24q-5	4300	0.61	9.1
	147-0481 [ECG]	HIT-COS 90W PGZ12	10450	1.49	9.6
	147-0511 [ECG]	HIT-COS 140W PGZ12	16500	2.36	9.6
	147-0187 [HPF]	HIT-CE 70W E27	7000	1.00	14.7
	147-0229 [ECG]	HIT-CE 70W E27	7000	1.00	13.6
	147-0164 [HPF]	HIT-CE 150W E40	14500	2.07	15.2
	147-0347 [ECG]	HIT-CE 150W E40	14500	2.07	14.1
	147-0231 [HPF]	HST-X4 70W E27	6600	0.94	14.7
	147-0376 [ECG]	HST-X4 70W E27	6600	0.94	13.6
	147-0233 [HPF]	HST-X4 100W E40	10700	1.53	15.1
	147-0507 [ECG]	HST-X4 100W E40	10700	1.53	14.0
	147-0177 [HPF]	HST-X4 150W E40	17500	2.50	15.2
	147-0508 [ECG]	HST-X4 150W E40	17500	2.50	14.1

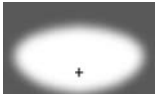
[A60]	Part ID	Light source	lm	Factor*	kg
FLA740	147-0485 [ECG]	HIT-COS 90W PGZ12	10450	1.49	9.6
	147-0513 [ECG]	HIT-COS 140W PGZ12	16500	2.36	9.6
	147-0001 [HPF]	HIT-CE 70W E27	7000	1.00	14.7
	147-0183 [ECG]	HIT-CE 70W E27	7000	1.00	13.6
	147-0002 [HPF]	HIT-CE 150W E40	14500	2.07	15.2
	147-0352 [ECG]	HIT-CE 150W E40	14500	2.07	14.1
	147-0176 [HPF]	HST-X4 70W E27	6600	0.94	14.7
	147-0346 [ECG]	HST-X4 70W E27	6600	0.94	13.6
	147-0004 [HPF]	HST-X4 100W E40	10700	1.53	15.1
	147-0516 [ECG]	HST-X4 100W E40	10700	1.53	14.0
	147-0005 [HPF]	HST-X4 150W E40	17500	2.50	15.2
	147-0517 [ECG]	HST-X4 150W E40	17500	2.50	14.1



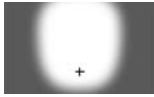
[S60]



[A60]



[S60]



[A60]

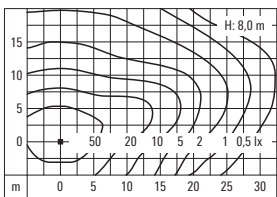
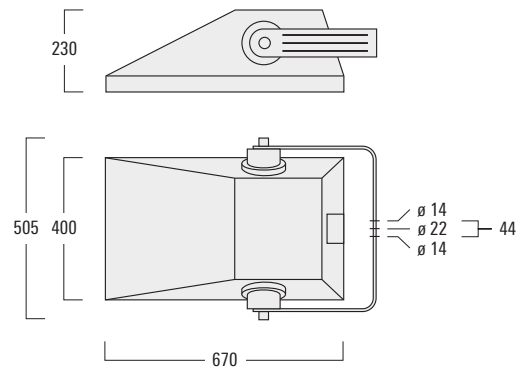
[S60] Side throw distribution, asymmetric

[A60] Forward throw distribution, asymmetric

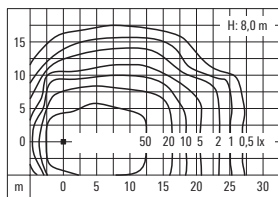


[S60]	Part ID	Light source	lm	Factor*	kg
FLA760	147-0483 [ECG]	HIT-COS 140W PGZ12	16500	0.64	17.7
	147-0173 [HPF]	HIT-CE 250W E40	26000	1.00	20.4
	147-0235 [HPF]	HIT 400W E40	35000	1.35	22.6
	147-0224 [HPF]	HST-X4 250W E40	33200	1.28	20.4
	147-0240 [HPF]	HST-X4 400W E40	56500	2.17	22.6

[A60]	Part ID	Light source	lm	Factor*	kg
FLA760	147-0487 [ECG]	HIT-COS 140W PGZ12	16500	0.64	17.7
	147-0011 [HPF]	HIT-CE 250W E40	26000	1.00	20.4
	147-0013 [HPF]	HIT 400W E40	35000	1.35	22.6
	147-0019 [HPF]	HST-X4 250W E40	33200	1.28	20.4
	147-0022 [HPF]	HST-X4 400W E40	56500	2.17	22.6



[S60]



[A60]

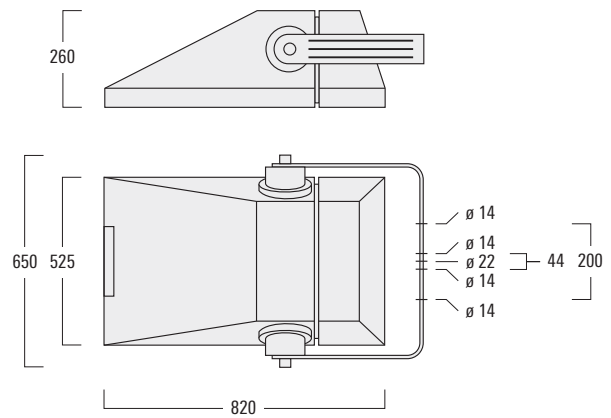
\* Multiplier for Isolux value



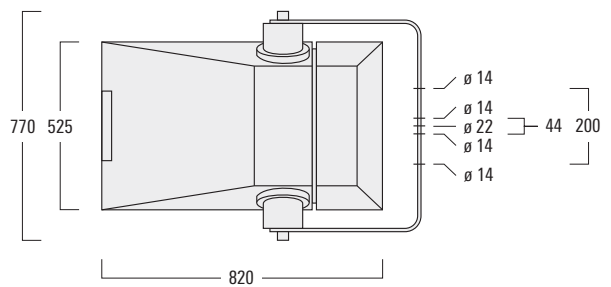
[A60] Forward throw distribution, asymmetric



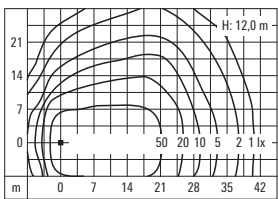
[A60]	Part ID	Light source	lm	Factor*	kg
FLA780	147-0489 [IGN]	2 x HIT 400W E40	2 x 35000	1.00	34.0
	147-0490 [IGN]	2 x HST-X4 400W E40	2 x 56500	1.61	34.0
	147-0365 [HPF]	HST-X4 600W E40	90000	1.28	40.0
	147-0367 [HPF]	HST 1000W E40	130000	1.86	43.0
	147-0360 [HPF]	HIT-LA-DE 1000W Cable	100000	1.43	43.0



1 lamp



2 lamps



[A60]

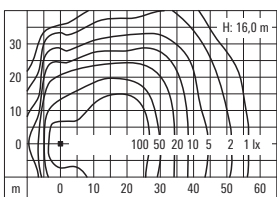
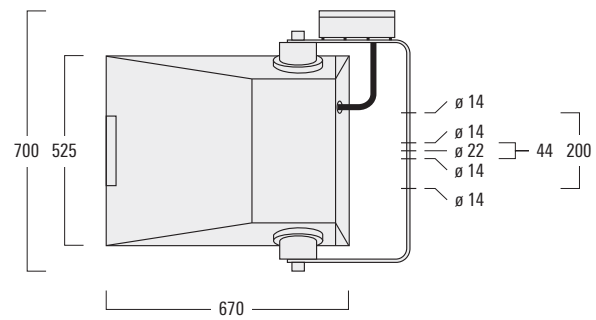
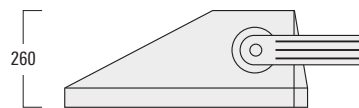


[A60] Forward throw distribution, asymmetric



[A60]	Part ID	Light source	lm	Factor*	kg
FLA780	147-0361 [IGN]**	HIT-LA-DE 2000W Cable	220000	1.00	27.0

\*\* Remote HPF gear box made from marine-grade die-cast aluminium alloy or in pole HPF gear tray, to be ordered separately.



[A60]

\* Multiplier for Isolux value

## MOUNTING ACCESSORIES – FLA700 SERIES

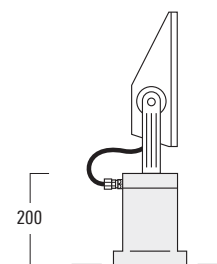
Marine-grade aluminium construction. 5CE superior corrosion protection including PCS hardware. Powdercoat finish in RAL 9004, RAL 9006, RAL 9007 or RAL 9016.

Short post				kg
for FLA730	270-9038	EM1-M16	Short post	2.0

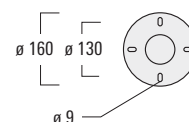
Matching planted root to be ordered separately:

Planted root for short post				kg
for FLA730	300-0461	ESV4	Planted root	4.4

Galvanised steel

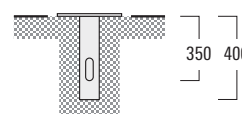


Short post EM1

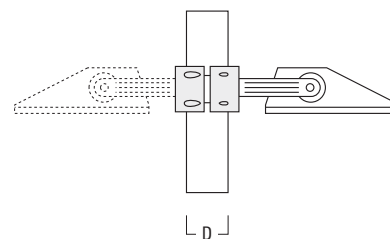


Planted root ESV4

Pole clamps TS Series				D	kg
for FLA730	147-0371	TS1-2/M10	Pole clamp	ø 76-89	1.3
	147-0372	TS1-2/M10	Pole clamp	ø 102-114	1.4
	147-0373	TS2-2/M10	Pole clamp	ø 76-89	1.3
	147-0374	TS2-2/M10	Pole clamp	ø 102-114	1.4



for FLA740	147-0543	TS1-2/M12	Pole clamp	ø 76-89	1.4
	147-0526	TS1-2/M12	Pole clamp	ø 102-114	1.5
	147-0544	TS1-2/M12	Pole clamp	ø 114-133	1.7
	147-0545	TS2-2/M12	Pole clamp	ø 76-89	1.4
	147-0527	TS2-2/M12	Pole clamp	ø 102-114	1.5
	147-0546	TS2-2/M12	Pole clamp	ø 114-133	1.7

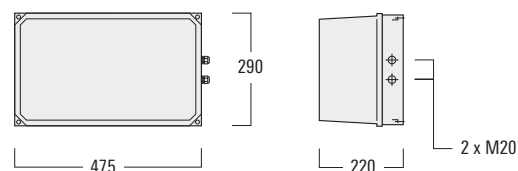


Pole clamp TS1/TS2

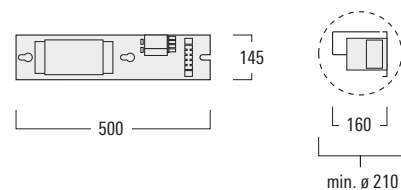
for FLA760	147-0547	TS1-2/M12	Pole clamp	ø 76-89	1.7
	147-0551	TS1-2/M12	Pole clamp	ø 102-114	1.8
	147-0548	TS1-2/M12	Pole clamp	ø 114-133	1.9
	147-0549	TS2-2/M12	Pole clamp	ø 76-89	1.7
	147-0552	TS2-2/M12	Pole clamp	ø 102-114	1.8
	147-0550	TS2-2/M12	Pole clamp	ø 114-133	1.9

## ELECTRICAL ACCESSORIES – FLA700 SERIES

				kg
for HI 2000W	400-0271 [HPF]	DK6A	~ 400V / 9.60-11.30A	17.5
for HI 2000W	400-0180 [HPF]	PT110 with 2 fuses E14	~ 400V / 9.60-11.30A	16.6



DK6A



PT110



Airport Carpark. Melbourne (AUS)

## MOUNTING ACCESSORIES – FLA700 SERIES

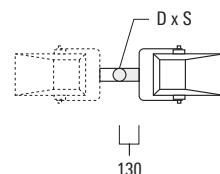
Hot dipped galvanised steel. Powdercoat finish in RAL 9004, RAL 9006, RAL 9007 or RAL 9016.

Floodlight mounting brackets TA Series				D x S	kg
for FLA730	147-0397	TA1	Mounting bracket	∅ 76 x 200	1.7
	147-0398	TA2	Mounting bracket	∅ 76 x 200	1.8
	147-0404	TA3	Mounting bracket	∅ 76 x 200	17.9

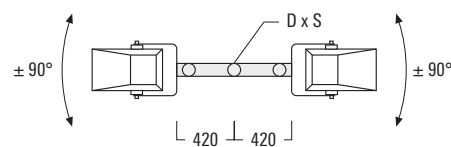
for FLA740 / 760	147-0023	TA1*	Mounting bracket	∅ 76 x 200	1.9
	147-0024	TA2*	Mounting bracket	∅ 76 x 200	2.0
	147-0105	TA2-L	Mounting bracket	∅ 76 x 200	16.1
	147-0557	TA3-L	Mounting bracket	∅ 89 x 200	20.8
	147-0465	TA4-L	Mounting bracket	∅ 89 x 200	22.6

\*Mounting brackets TA1 and TA2 made from marine-grade aluminium.

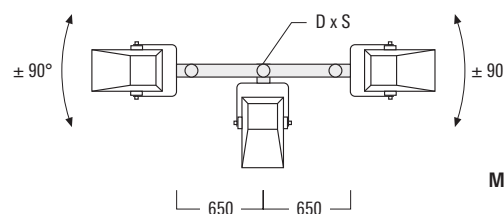
for FLA760 / 780	147-0096	TA1	Mounting bracket	∅ 108 x 200	7.5
	147-0097	TA2	Mounting bracket	∅ 108 x 200	7.6
	147-0148	TA2-L	Mounting bracket	∅ 108 x 200	20.2
	147-0556	TA3-L	Mounting bracket	∅ 108 x 200	24.2
	147-0213	TA4-L	Mounting bracket	∅ 108 x 200	26.0



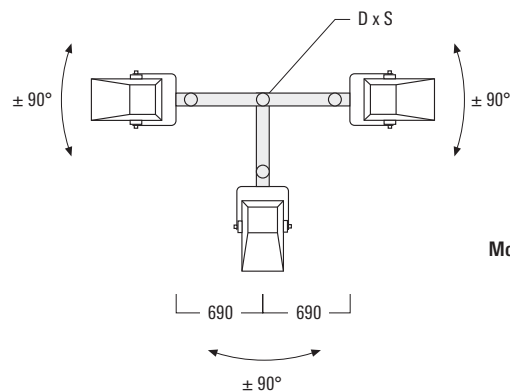
Mounting bracket TA1/TA2



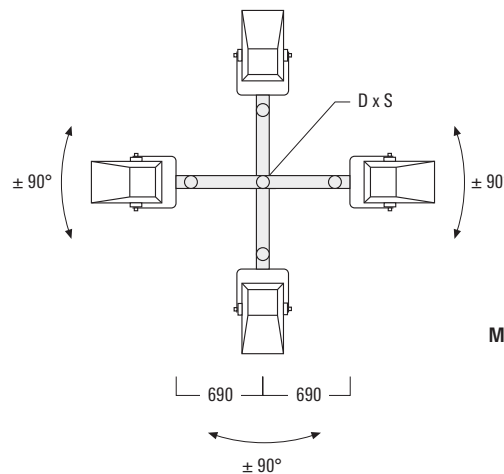
Mounting bracket TA2-L



Mounting bracket TA3



Mounting bracket TA3-L



Mounting bracket TA4-L





## OPTICAL ACCESSORIES – FLA700 SERIES

A maximum of one internal optical accessory.



### Rearward cut-off shield

for [S] version, with side throw distribution.

for FLA730	108-0427
for FLA740	108-0469
for FLA760	108-0040



### Rearward cut-off shield

for [A] version, with forward throw distribution.

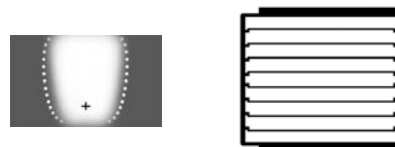
for FLA730	147-0655
for FLA740	147-0656
for FLA760	147-0410
for FLA780	147-0657

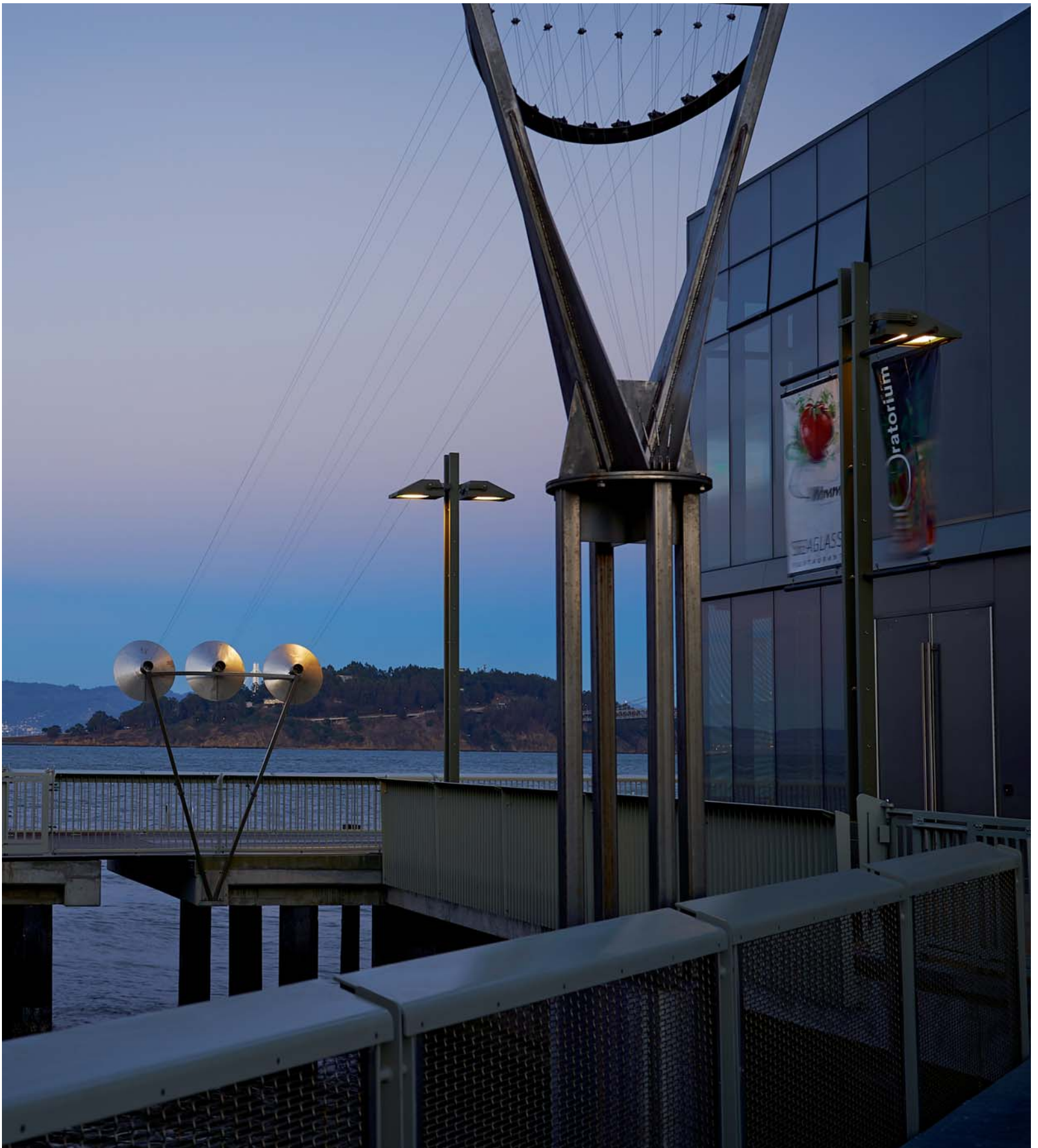


### Sideways cut-off shield

for [A] version, with forward throw distribution.

for FLA730	108-0428
for FLA740	108-0470
for FLA760	108-0041





Exploratorium. San Francisco, California (USA). Architect: EHDD. Lighting design: David Nelsen & Associates.

## FLA400 SERIES

Floodlight, side or forward throw distribution, asymmetric.

IP66, Class I. IK08. Marine-grade die-cast aluminium alloy. 5CE superior corrosion protection including PCS hardware. Powdercoat finish in RAL 9004, RAL 9006, RAL 9007 or RAL 9016. Silicone rubber gaskets. Safety glass lens, hinged.

Protractor scale incorporating locking pin for accurate and permanent aiming.

Integral EC electronic converter on hinged and 'no tool' removable gear tray.

Factory installed LED circuit board. LED boards can be easily removed for upgrading. PMMA OLC® LED lenses for superior illumination and glare control.

Recommended mounting height 6.0-12.0 m, depending on lamp type selected.

### Light source

LED 36-108 W, 4000 K,  
for 3000 K refer to [www.we-ef.com](http://www.we-ef.com)

### Light distributions

[S65] [A60] [R65]

### Accessories

■ Mounting, page 364



Hossegor (F). Lighting design: Sydec 40.



[S65] [A60] [R65]

[S65] Streetlighting distribution

[A60] Forward throw distribution, asymmetric

[R65] Rectangular forward throw distribution

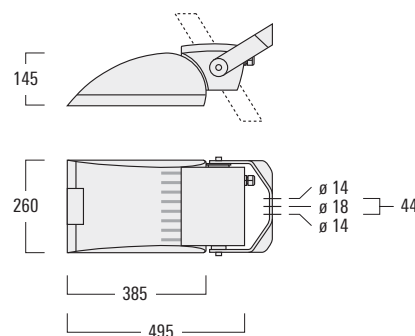


[S65]	Part ID	Light source	K	lm*	Factor**	kg
FLA440	108-7702	18 LED 36W / 700 mA	4000	4427	0.55	9.7
	108-7712	18 LED 54W / 1050 mA	4000	8100	1.00	9.7
FLA460	108-7723	36 LED 72W / 700 mA	4000	8854	1.09	28.3
	108-7333	36 LED 108W / 1050 mA	4000	16200	2.00	28.3

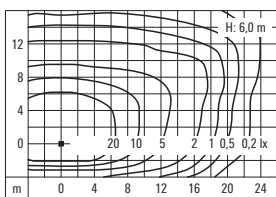
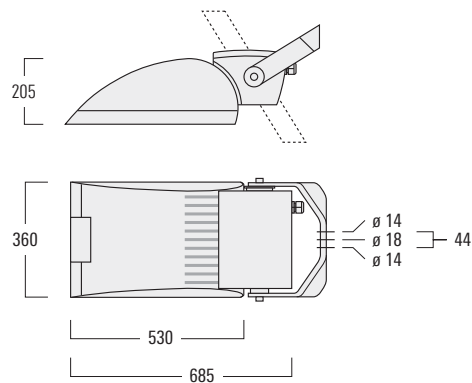
[A60]	Part ID	Light source	K	lm*	Factor**	kg
FLA440	108-7708	18 LED 36W / 700 mA	4000	4427	0.55	9.7
	108-7718	18 LED 54W / 1050 mA	4000	8100	1.00	9.7
FLA460	108-7729	36 LED 72W / 700 mA	4000	8854	1.09	28.3
	108-7339	36 LED 108W / 1050 mA	4000	16200	2.00	28.3

[R65]	Part ID	Light source	K	lm*	Factor**	kg
FLA440	108-7706	18 LED 36W / 700 mA	4000	4427	0.55	9.7
	108-7716	18 LED 54W / 1050 mA	4000	8100	1.00	9.7
FLA460	108-7727	36 LED 72W / 700 mA	4000	8854	1.09	28.3
	108-7337	36 LED 108W / 1050 mA	4000	16200	2.00	28.3

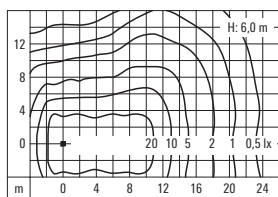
FLA440



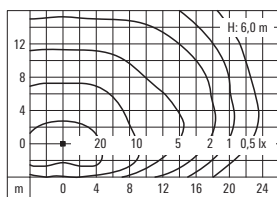
FLA460



[S65]



[A60]



[R65]

\* Nominal lumen output based on LED manufacturers data at 85°C T<sub>J</sub>. For rated lumens at 25°C T<sub>q</sub> and latest data refer to [www.we-ef.com](http://www.we-ef.com).

\*\* Multiplier for Isolux value

## FLA400 SERIES

Floodlight, side throw distribution, asymmetric.

IP66, Class I. IK08. Marine-grade die-cast aluminium alloy. 5CE superior corrosion protection including PCS hardware. Powdercoat finish in RAL 9004, RAL 9006, RAL 9007 or RAL 9016. Silicone rubber gaskets. Safety glass lens, hinged.

Integral HPF or ECG control gear, thermally separated. Anodised aluminium reflector.

'No tool' lamp replacement.

Recommended mounting height 6.0-12.0 m, depending on lamp type selected.

Light source

HIT 90-400 W

HST 250-400 W

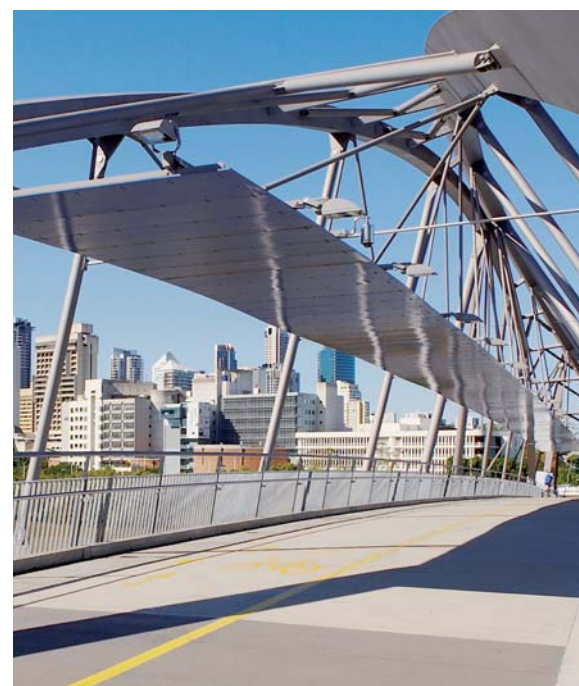
Light distribution

[S60]

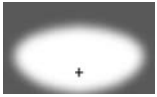
Accessories

■ Mounting, page 364

■ Optical, page 368



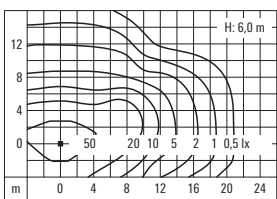
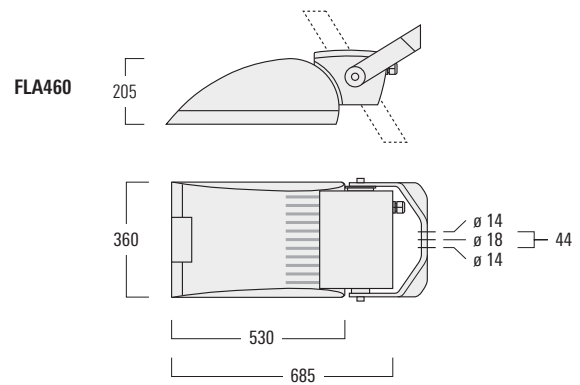
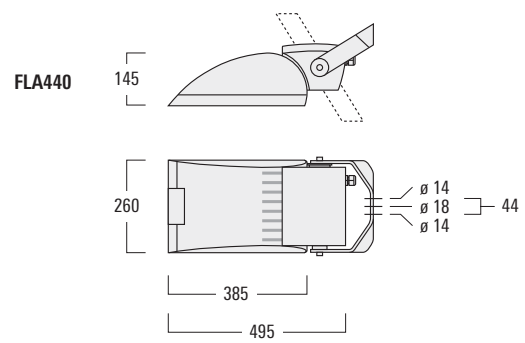
Goodwill Bridge. Brisbane (AUS). Architect: Cox Rayner Architects. Lighting design: Webbs Australia.



[S60] Side throw distribution, asymmetric



[S60]	Part ID	Light source	lm	Factor*	kg
FLA440	108-9164 [ECG]	HIT-COS 90W PGZ12	10450	0.70	9.7
	108-9168 [ECG]	HIT-COS 140W PGZ12	16500	1.10	9.7
	108-7019 [HPF]	HIT-CE 150W G12	15000	1.00	10.6
	108-7021 [ECG]	HIT-CE 150W G12	15000	1.00	9.5
	108-7024 [HPF]	HIT-CE 250W G12	23000	1.53	11.3
FLA460	108-7107 [HPF]	HIT-CE 250W E40	26000	1.00	28.3
	108-7157 [HPF]	HIT 400W E40	35000	1.35	30.5
	108-7110 [HPF]	HST-X4 250W E40	33200	2.21	28.3
	108-7160 [HPF]	HST-X4 400W E40	56500	3.77	30.5



[S60]

\* Multiplier for Isolux value

## FLA400 SERIES

Floodlight, forward throw distribution, asymmetric.

IP66, Class I. IK08. Marine-grade die-cast aluminium alloy. 5CE superior corrosion protection including PCS hardware. Powdercoat finish in RAL 9004, RAL 9006, RAL 9007 or RAL 9016. Silicone rubber gaskets. Safety glass lens, hinged.

Integral HPF or ECG control gear, thermally separated. Anodised aluminium reflector.

'No tool' lamp replacement.

Recommended mounting height 6.0-12.0 m, depending on lamp type selected.

### Light source

HIT 90-400 W

HST 250-400 W

### Light distribution

[A60]

### Accessories

■ Mounting, page 364

■ Optical, page 368



Goodwill Bridge. Brisbane (AUS). Architect: Cox Rayner Architects. Lighting design: Webbs Australia.

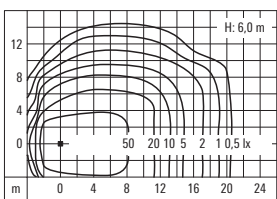
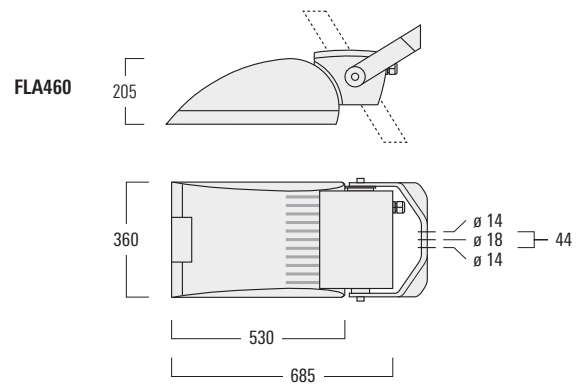
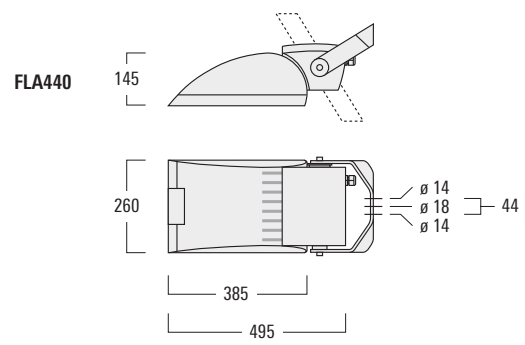




[A60] Forward throw distribution, asymmetric



[A60]	Part ID	Light source	lm	Factor*	kg
FLA440	108-7688 [ECG]	HIT-COS 90W PGZ12	10450	0.70	9.2
	108-7690 [ECG]	HIT-COS 140W PGZ12	16500	1.10	9.2
	108-7048 [HPF]	HIT-DE-CE 150W RX7s	14500	1.00	10.6
	108-7050 [ECG]	HIT-DE-CE 150W RX7s	14500	1.00	9.5
FLA460	108-7088 [HPF]	HIT-DE 250W Fc2	20000	1.53	11.3
	108-7118 [HPF]	HIT-DE 250W Fc2	20000	1.00	28.3
	108-7168 [HPF]	HIT-DE 400W Fc2	36000	1.35	30.5
	108-7121 [HPF]	HST-DE 250W Fc2	25500	2.21	28.3
	108-7171 [HPF]	HST-DE 400W Fc2	48000	3.77	30.5



[A60]

\* Multiplier for Isolux value

## MOUNTING ACCESSORIES – FLA400 SERIES

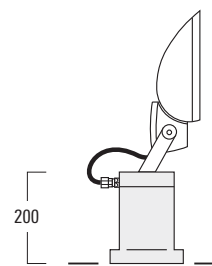
Marine-grade aluminium construction. 5CE superior corrosion protection including PCS hardware. Powdercoat finish in RAL 9004, RAL 9006, RAL 9007 or RAL 9016.

<b>Short post</b>					kg
for FLA440 / 460	270-9038	EM1-M16	Short post		2.0

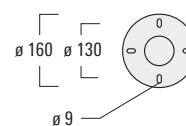
Matching planted root to be ordered separately:

<b>Planted root for short post</b>					kg
for FLA440 / 460	300-0461	ESV4	Planted root		4.4

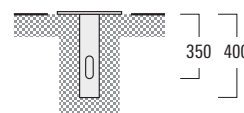
Galvanised steel



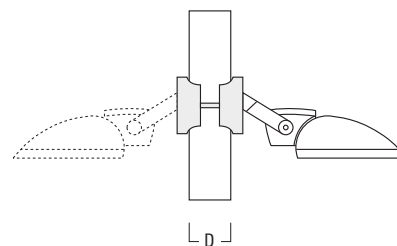
Short post EM1



Planted root ESV4

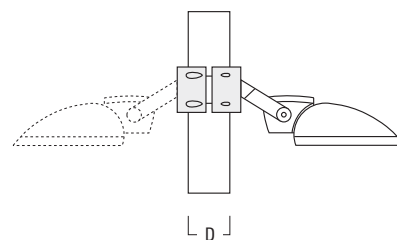


<b>Pipe clamps SP Series</b>				D	kg
for FLA440 / 460	146-0241	SP1-M16	Pipe clamp	∅ 38-60	1.3
	146-0242	SP1-M16	Pipe clamp	∅ 76-89	1.3
	146-0243	SP2-M16	Pipe clamp	∅ 38-60	1.6
	146-0244	SP2-M16	Pipe clamp	∅ 76-89	1.6



Pipe clamp SP1/SP2

<b>Pole clamps TS Series</b>				D	kg
for FLA440	147-0543	TS1-2/M12	Pole clamp	∅ 76-89	1.4
	147-0526	TS1-2/M12	Pole clamp	∅ 102-114	1.5
	147-0544	TS1-2/M12	Pole clamp	∅ 114-133	1.7
	147-0545	TS2-2/M12	Pole clamp	∅ 76-89	1.4
	147-0527	TS2-2/M12	Pole clamp	∅ 102-114	1.5
	147-0546	TS2-2/M12	Pole clamp	∅ 114-133	1.7



Pole clamp TS1/TS2

for FLA460	147-0547	TS1-2/M12	Pole clamp	∅ 76-89	1.7
	147-0551	TS1-2/M12	Pole clamp	∅ 102-114	1.8
	147-0548	TS1-2/M12	Pole clamp	∅ 114-133	1.9
	147-0549	TS2-2/M12	Pole clamp	∅ 76-89	1.7
	147-0552	TS2-2/M12	Pole clamp	∅ 102-114	1.8
	147-0550	TS2-2/M12	Pole clamp	∅ 114-133	1.9



Hossegor (F). Lighting design: Sydec 40.

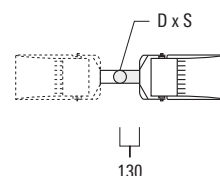
## MOUNTING ACCESSORIES – FLA400 SERIES

Hot dipped galvanised steel. Powdercoat finish in RAL 9004, RAL 9006, RAL 9007 or RAL 9016.

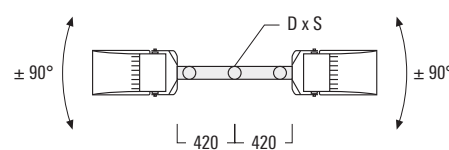
Floodlight mounting brackets TA Series				D x S	kg
for FLA440 / 460	147-0023	TA1*	Mounting bracket	∅ 76 x 200	1.9
	147-0024	TA2*	Mounting bracket	∅ 76 x 200	2.0
	147-0105	TA2-L	Mounting bracket	∅ 76 x 200	16.1
	147-0025	TA3	Mounting bracket	∅ 89 x 200	17.9
	147-0557	TA3-L	Mounting bracket	∅ 89 x 200	20.8
	147-0465	TA4-L	Mounting bracket	∅ 89 x 200	22.6

\*Mounting brackets TA1 and TA2 made from marine-grade aluminium.

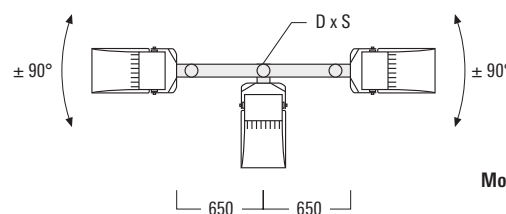
for FLA460	147-0096	TA1	Mounting bracket	∅ 108 x 200	7.5
	147-0097	TA2	Mounting bracket	∅ 108 x 200	7.6
	147-0148	TA2-L	Mounting bracket	∅ 108 x 200	20.2
	147-0556	TA3-L	Mounting bracket	∅ 108 x 200	24.2
	147-0213	TA4-L	Mounting bracket	∅ 108 x 200	26.0



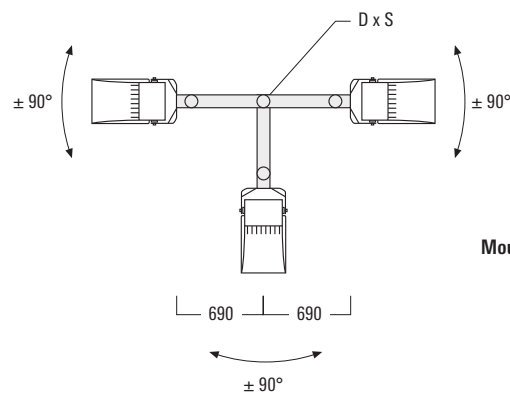
Mounting bracket TA1/TA2



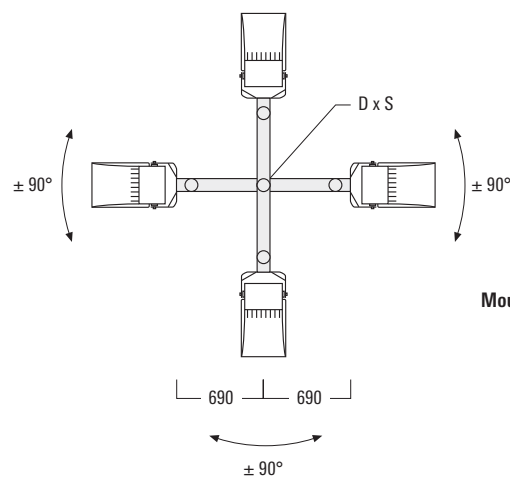
Mounting bracket TA2-L



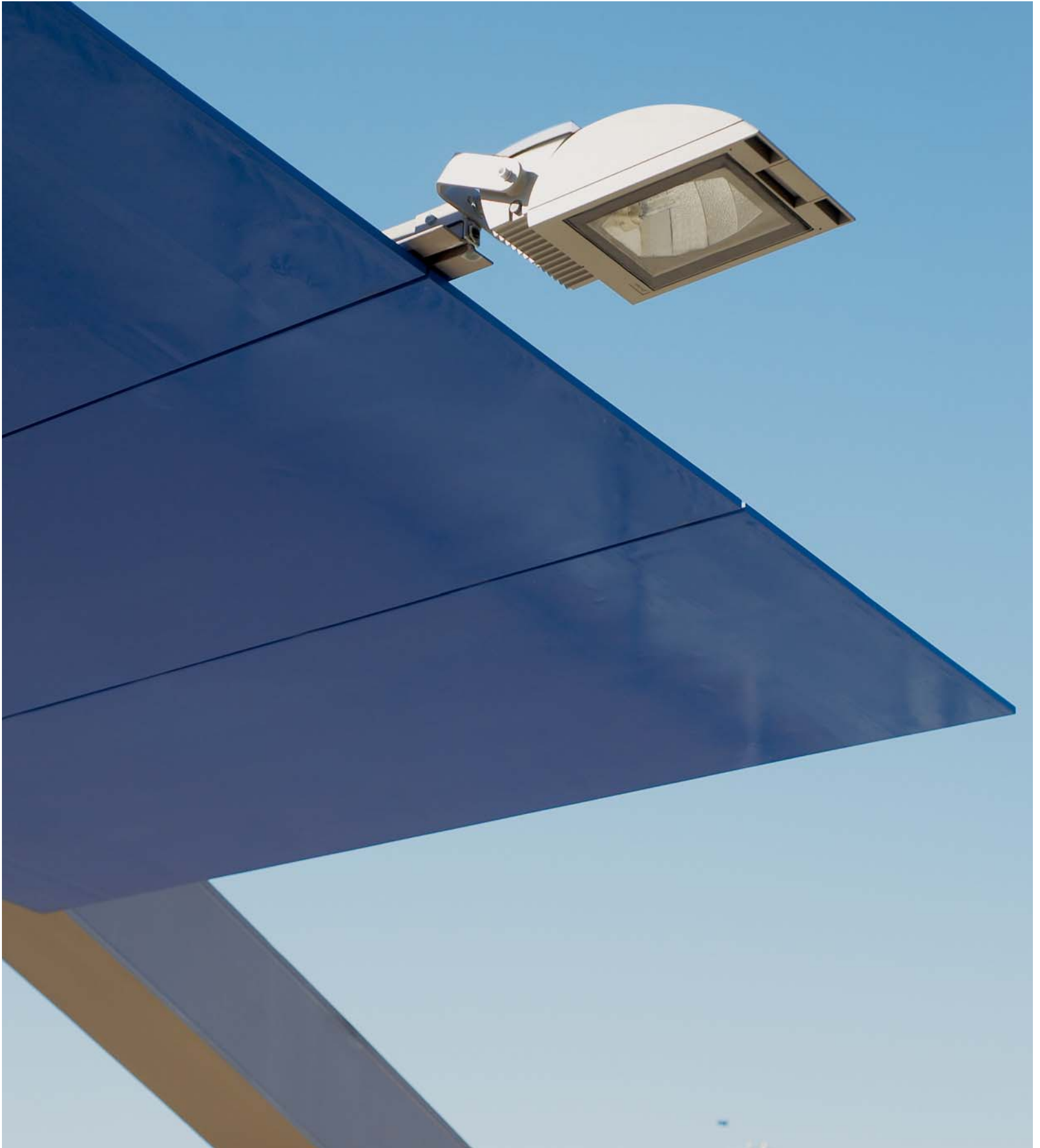
Mounting bracket TA3



Mounting bracket TA3-L



Mounting bracket TA4-L



Goodwill Bridge. Brisbane (AUS). Architect: Cox Rayner Architects. Lighting design: Webbs Australia.

## OPTICAL ACCESSORIES – FLA400 SERIES

A maximum of one internal optical accessory.



### Rearward cut-off shield

for [S] version, with side throw distribution.

for FLA440	108-9264
------------	----------

for FLA460	108-9810
------------	----------



### Rearward cut-off shield

for [A] version, with forward throw distribution.

included in product



### Sideways cut-off shield

for [A] version, with forward throw distribution.

for FLA440	108-9268
------------	----------

for FLA460	108-9808
------------	----------



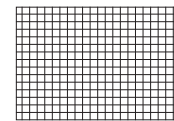
### Flood lens

for [S] version, side throw, asymmetric distribution and

for [A] version with forward throw distribution, asymmetric.

for FLA440	108-9260
------------	----------

for FLA460	108-9802
------------	----------

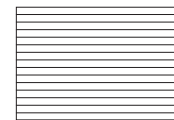


### Linear spread lens

for [A] version, forward throw, asymmetric distribution.

for FLA440	108-9262
------------	----------

for FLA460	108-9800
------------	----------



### Absorbion colour filter

in red, green, blue, yellow.

on request



