

# Skylight Shading Systems



[www.blindtrack.co.uk](http://www.blindtrack.co.uk)

Blindtrack  
Unit 23  
Orbital 25  
Dwight Road  
Watford  
WD18 9DA  
020 8421 6605  
[sales@blindtrack.co.uk](mailto:sales@blindtrack.co.uk)

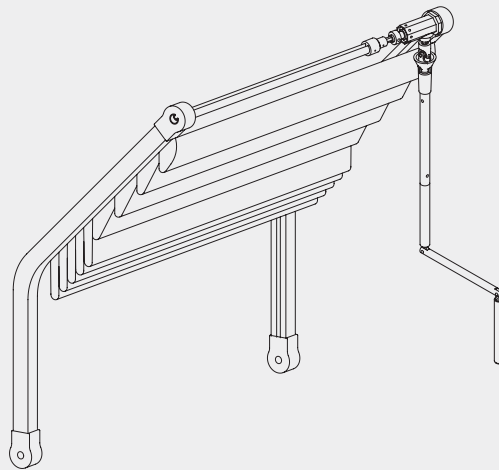
# Application Chart

Operation	Dimensions					Application	Profile			Features	Fitting Options		Fitting Surfaces		System
	Number of bays	max.	max.	m <sup>2</sup> max.	kg max.		Sloping	Profile Number	Min. Bending Radius (mm)		Radio Control	Ceiling Fix	Wall Fix	Wood	
	1	2.5m	6m	15m <sup>2</sup>	10kg	●	2191	200		●	●	●	●	2190	
	2	3m	6m	18m <sup>2</sup>	10kg										
	1	3m	6m	18m <sup>2</sup>	25kg	●	2191	200		●	●	●	●	2195	
	2	6m	6m	30m <sup>2</sup>	25kg										
	3	6m	6m	36m <sup>2</sup>	25kg										
	—	4m	6.5m	18m <sup>2</sup>	40kg*	●	8601			●	●	●	●	8600	
	—	5m	12m	50m <sup>2</sup>	50kg*	●	8801			●	●	●	●	8700	
	—	3m	12m	36m <sup>2</sup>	67kg*	●	8801			●	●	●	●	8800	

\* Total system weight with fabric.  
 Note: System 8800 - maximum 3m between side profiles plus up to 1m cantilever each side.

## Crank Operated Wintergarden System

# Silent Gliss® 2190



### Product Information

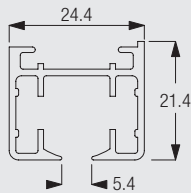
- Crank operated system for domestic or contract use
- Pleasing Roman blind effect with Silent Gliss technical or decorative fabrics or customers' own material
- Side guide profile standard colours: silver, white, bronze, gold and black
- Crank may be detached for security
- Left or right hand operation
- Horizontal, sloping, bent and arched applications



2190

## Profile, Bending and Specification Information

### Side guide profile



2191



Min. radius 200mm

Specification Information - download from [www.silentgliss.co.uk](http://www.silentgliss.co.uk) (password required).

2190 crank operated Wintergarden system ready assembled complete with drive shaft, crank handle, 2191 side guide channels and side fixed with 3825 clamps at 30cm centres. ....off.....wide x .....drop (girth) guide channels, side channels each bent .....times with cross rods at .....cm intervals.

## System Dimensions



2.5m (single)  
3m (double)



6m (single and double)



10kg



15sqm (single)  
18sqm (double)

### Max. size and weight chart

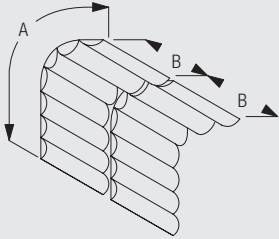
2190		kg max.	A	B	2190		kg max.	A	B
		10	1.8 m	6 m			10	2 m	5 m
		10	1.8 m	6 m			10	2 m	5 m
		10	2 m	5 m			10	2 m	5 m
		10	2 m	5 m			10	2 m	4 m
		10	2.5 m	6 m			10	2 m	4 m
		10	3 m	6 m			10	2 m	4 m

The system dimensions depend on the application, number of connected systems and the total fabric weight (including cross rods, 2579 - 0.146kg per m, 2248 - 0.32kg per m).

When a full arch the system must be centre opening.

## System Options

### Connected systems

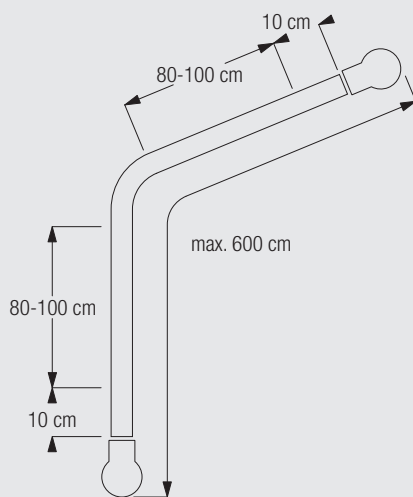


Maximum of two bays can be connected with one crank operation. The maximum system sizes are indicated in the chart under system dimensions.

Please note that the two sections can be asymmetrical but one section can never exceed a total width of 2.5 m.

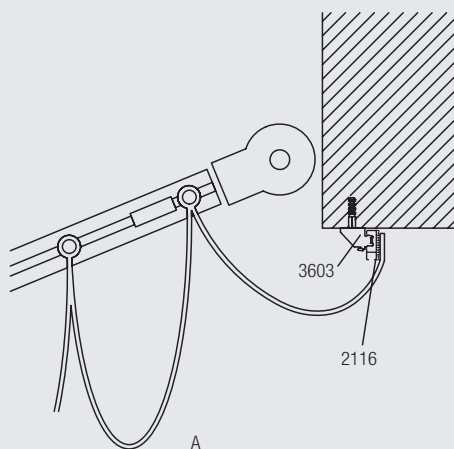
## Fitting Information

### Bracket positioning



Please fix the last bracket as close as possible (max. 10cm) to the guide returns.

### Fixing the end of the fabric



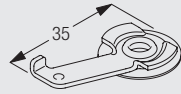
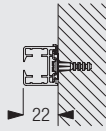
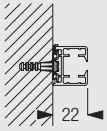
Fixing of fabric to Velcro profile 2116



2190

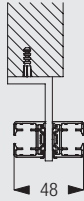
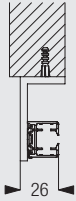
## Fitting Options

### Inside reveal fix with clamp 3825



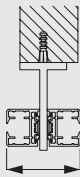
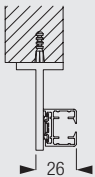
3825  
Clamp (35mm)

### Outside reveal fix with clamp 3065a

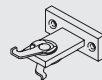


3065A  
Bracket - single  
clamp

### Outside reveal fix with clamp 3066a and 3066b (double system)



3066A  
T-bracket - single  
clamp



3066B  
T-bracket - double  
clamp

## Accessories



2190

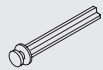
2111 Hexagonal bar



2116 Velcro profile



2145 Glider



2156 Drive shaft



2191 Profile



2242 Connector



2248 Heavy duty cross rod



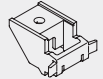
2746 Detachable crank handle



2759 Crossrod



3603 Top fix bracket



3825 Clamp (35mm)



6086 Spring stop



3065A Bracket - single clamp



3065B Bracket - double clamp

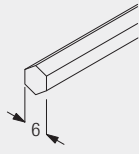


3066A T-bracket - single clamp

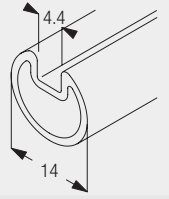


## Useful Measurements

2111 Hexagonal bar



2156 Drive shaft



2190

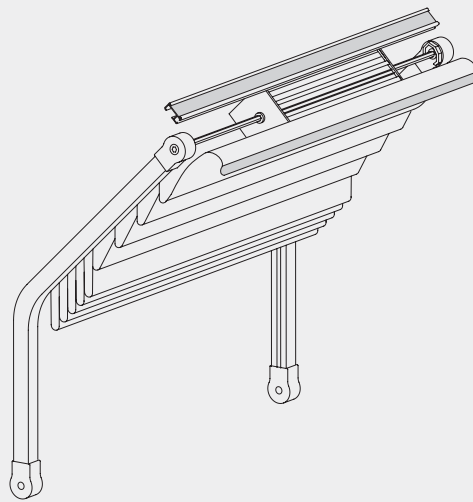


2190



## Motorised Wintergarden System

# Silent Gliss® 2195



### Product Information

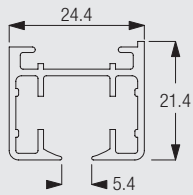
- Electrically operated system for domestic or contract use
- Pleasing Roman blind effect with Silent Gliss technical or decorative fabrics or customers' own material
- Blinds can be single, double or triple operation from one motor to correspond to window bays
- Horizontal, sloping, bent and arched applications
- Can be operated via fixed switch or radio remote control
- Side guide profile standard colours: silver, white, bronze, gold and black
- Can be operated by fixed switch or combined with Radio Remote Control System Silent Gliss 9940/0450



2195

## Profile, Bending and Specification Information

### Side Guide Profile

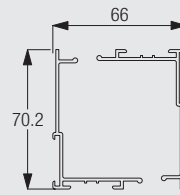


2191



Min. radius 200 mm

### Profile 2151 for motor cover



2151



Cannot be bent

Specification Information - download from [www.silentgliss.co.uk](http://www.silentgliss.co.uk) (password required).

2195 electrically operated Wintergarden system ready assembled with motor enclosed headbox 2151 complete with drive shafts, side guide channels and cross rods for blinds. Side guide channels to be fixed at 80-100cm centres and headbox to be fixed with 3004 clamps. .... off.....wide x ..... drop (girth) guide channels, side channels each bent .....times with cross rods at .....cm intervals.

## System Dimensions



3m (single)  
6m (double)  
6m (triple)



6m (all systems)



25kg (all systems)



18sqm (single)  
30sqm (double)  
36sqm (triple)

## Maximum size and weight chart

2195		kg max.	A	B	2195		kg max.	A	B
		18	3 m	6 m			18	3 m	6 m
		18	6 m	6 m			18	6 m	6 m
		18	6 m	5 m			18	6 m	6 m
		25	3 m	6 m			18	3 m	6 m
		25	6 m	6 m			18	6 m	5 m
		25	6 m	6 m			18	6 m	5 m
		25	3 m	6 m			10	3 m	4 m
		25	6 m	6 m			10	6 m	4 m
		25	6 m	6 m			10	6 m	3 m

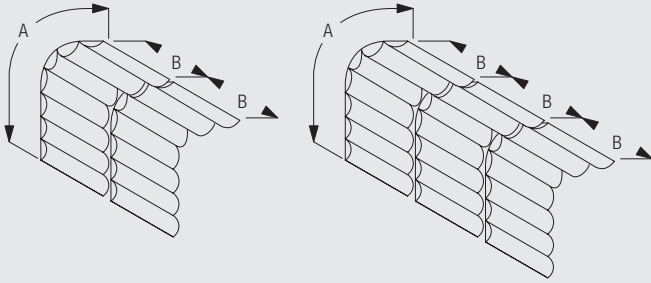
Sloped versions: max. inclination 45°

The system dimensions depend on the number of connected systems, the application and the total fabric weight (including cross bars: 2579 - 0.146kg per m, 2248 - 0.32kg per m). Systems over 2.5m must use 2248 heavy duty cross rod. In double or treble systems where one of the systems is over 2.5m, then all covers must use 2248 cross rod.

When a full arch the system must be centre opening.

## System Options

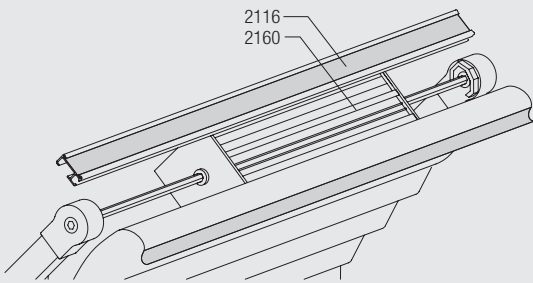
### Connected systems



Maximum of three bays can be connected to one system. The maximum system sizes are indicated in the chart under system dimensions.

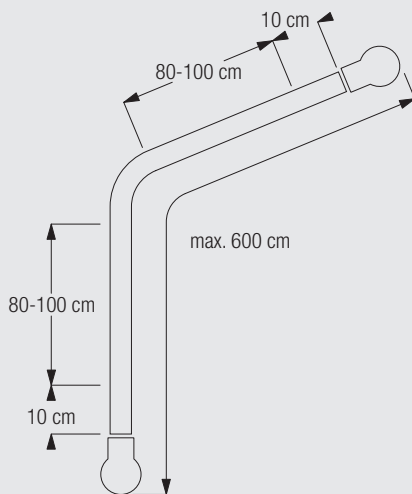
Please note that the sections can be asymmetric but a bay can never exceed a total width of 3m.

### Motor cassette 2151 and Velcro profile 2116



## Fitting Information

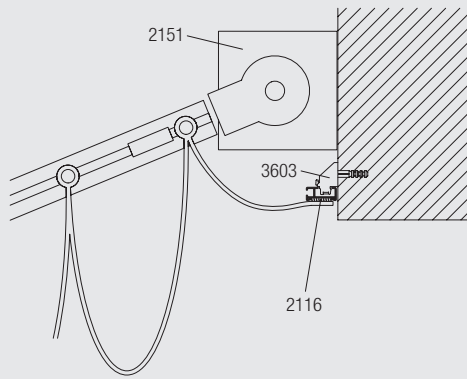
### Bracket positioning



2195

Please fix the last bracket as close as possible (max. 10cm) to the guide return.

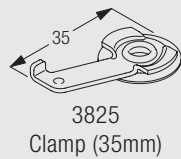
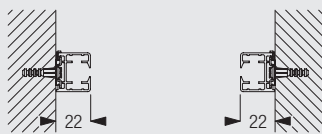
## Fixing the end of the fabric



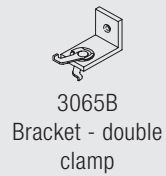
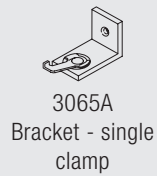
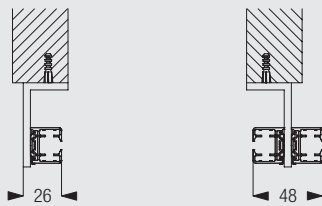
Fixing of fabric to Velcro profile 2116

## Fitting Options

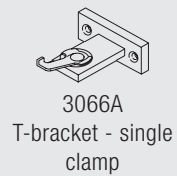
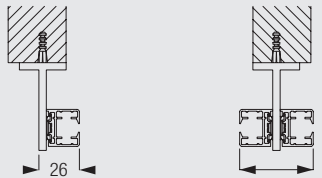
### Inside reveal fix with clamp 3825



### Outside reveal fix with clamp 3065a and 3065b (double system)

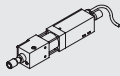
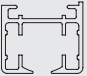
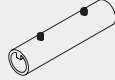
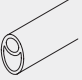
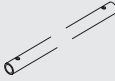

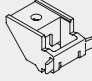


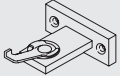
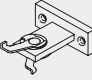


### Outside reveal fix with clamp 3066a

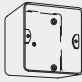

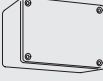
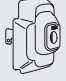



## Standard Accessories

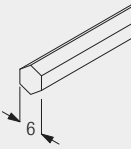
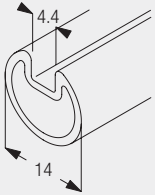
0766	In-line connector (complete/no lead)		2111	Hexagonal bar	
2116	Velcro profile		2145	Glider	
2151	Profile		2156	Drive shaft	

2160	Motor		2191	Profile	
2242	Connector		2248	Heavy duty cross rod	
2759	Crossrod		3004	Clamp	
3603	Top fix bracket		3825	Clamp (35mm)	
3065A	Bracket - single clamp		3066A	T-bracket - single clamp	
3066B	T-bracket - double clamp				

### Optional Accessories

0578	Pattress box		0615	Latching switch inc. pattress box	
5736	Relay socket		5741	Klik plug	
5742	Klik socket				

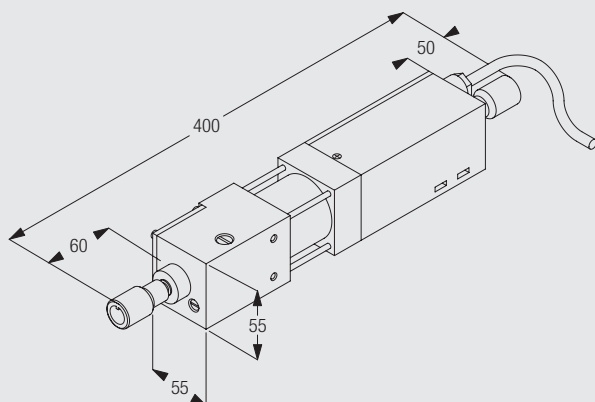
### Useful Measurements

2111	Hexagonal bar		2156	Drive shaft	
------	---------------	-------------------------------------------------------------------------------------	------	-------------	---------------------------------------------------------------------------------------



### Motors and Controls

#### Motor Silent Gliss 2160 - Single Bay



- Torque: 6Nm
- Voltage: 230V/115V
- Frequency: 50Hz/60Hz
- Power: 150W/145W
- Current: 0.7A/1.4A
- Speed: 23rpm/26rpm
- Thermal overload protection
- CEE Standard
- Mechanical end stop
- Weight: 2kg

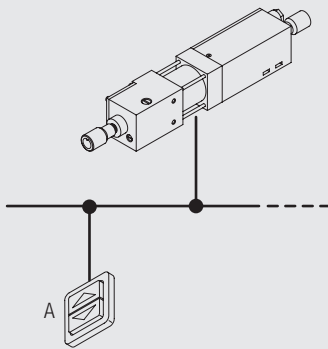
## Motor Silent Gliss 2160 - Multiple Bays

- Note: Drawing as per 2160 above except that overall length is 375mm (instead of 400mm)
- Torque: 10Nm
- Voltage: 230V
- Frequency: 50Hz
- Power: 120W
- Current: 0.53A
- Speed: 26rpm
- Thermal overload protection
- CEE Standard
- Mechanical end stop
- Weight: 1.8kg

The Silent Gliss 2160 motor is an interference-free motor, designed to offer top performance in regard to strength and reliability. The entire motor is integrated into the profile cover.

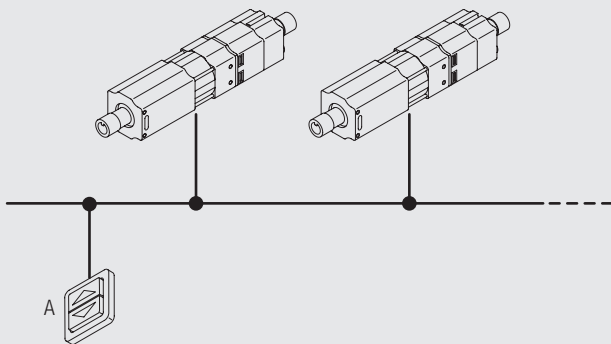
### Operating Methods - Single and Multiple Bays

#### Operation via fixed switch (single system)



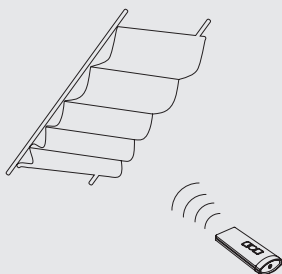
A: 230V/115V  
All cabling between switch and motor is to be 3 core + earth

#### Operation via fixed switch (multiple systems)



A: 230V/115V  
R: Relay  
All cabling between switch and motor is to be 3 core + earth

#### Operation with radio controls systems 9940/0450



System can be combined with Radio Remote Control Systems Silent Gliss 9940/0450. For further details, please refer to catalogue section "Motors & Controls".

## Wiring and Connections

**Important:** Wiring diagrams are available on the Silent Gliss website [www.silentgliss.co.uk](http://www.silentgliss.co.uk) (password required). Please contact Silent Gliss for information on access.



2195

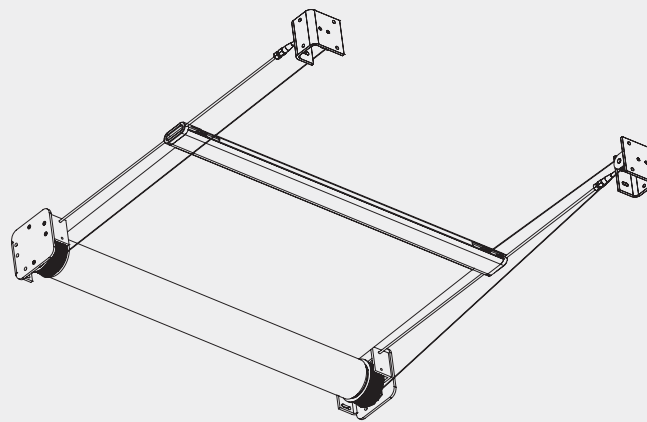


2195



## Motorised Skylight Shading System

# Silent Gliss® 8600



### Product Information

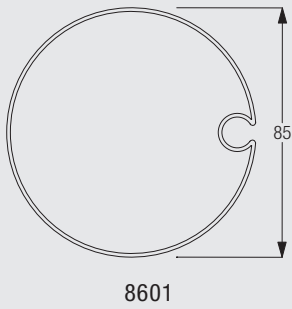
- Wire guided tension roller blind
- Electrically operated and fully retractable
- For sloping and horizontal glazing applications
- Suitable for applications between 0° and 360°
- Specially selected fabrics available
- Aluminium parts powder coated white as standard
- Fasteners and cables in corrosion resistant stainless steel
- Can be combined with Radio Remote Control System Silent Gliss 9940/0450



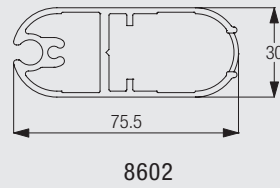
8600

## Profile and Specification Information

### Headrail



### Bottom bar

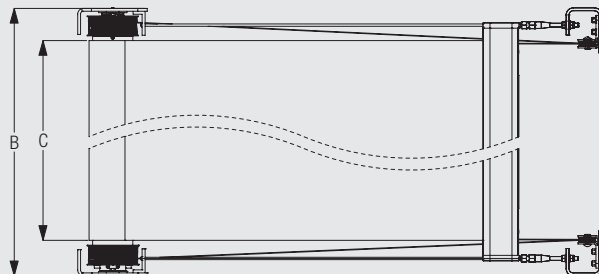
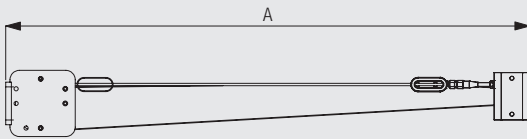


### Specification Information - download from Silent Gliss Extranet

8600 electrically operated tension roller blind skylight system ready assembled with motor. Complete with tension cables, return brackets, with fabric ..... Quantity....., width.....mm x drop.....mm. Wall/ceiling fixing brackets.

## Measuring and Planning

### How to measure

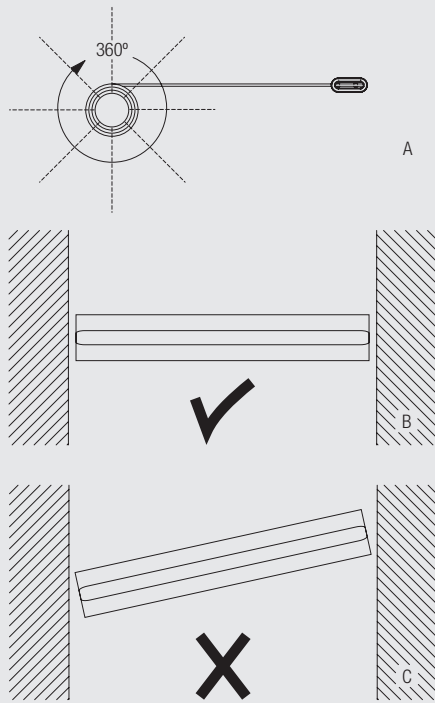


- A: System length
- B: System width
- C: Fabric width (B - 145mm)

Pulling force per bracket: typical 100kg tensile load

8600

## System orientation



Side elevation of headrail showing fabric.

A: Fabric pull possible at any angle (0 - 360°) from the centre line of the roller tube.

Vertical section of diagonal axis (B + C)

B: System headrail can only be installed horizontally.

C: System headrail cannot be installed inclined.

## System Dimensions



4m



Up to length of 3m =  
87cm  
Over length of 3m =  
108cm



6.5m

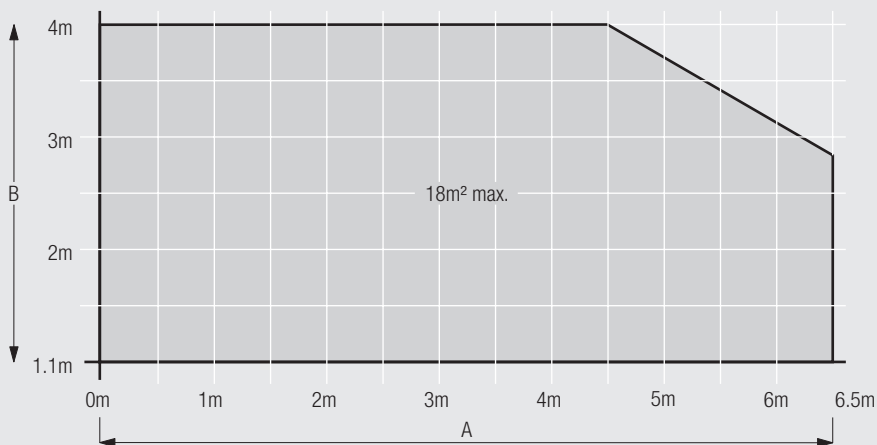


18sqm



40kg

## Loading chart



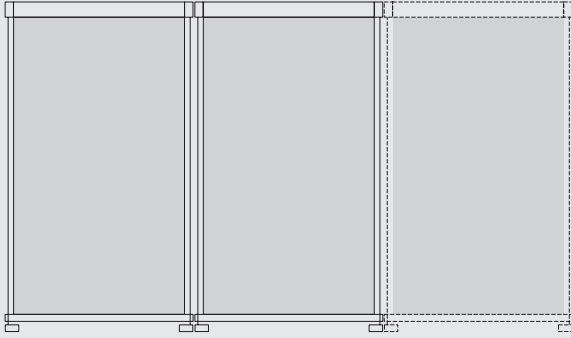
A: System length  
B: System width



8600

## System Options

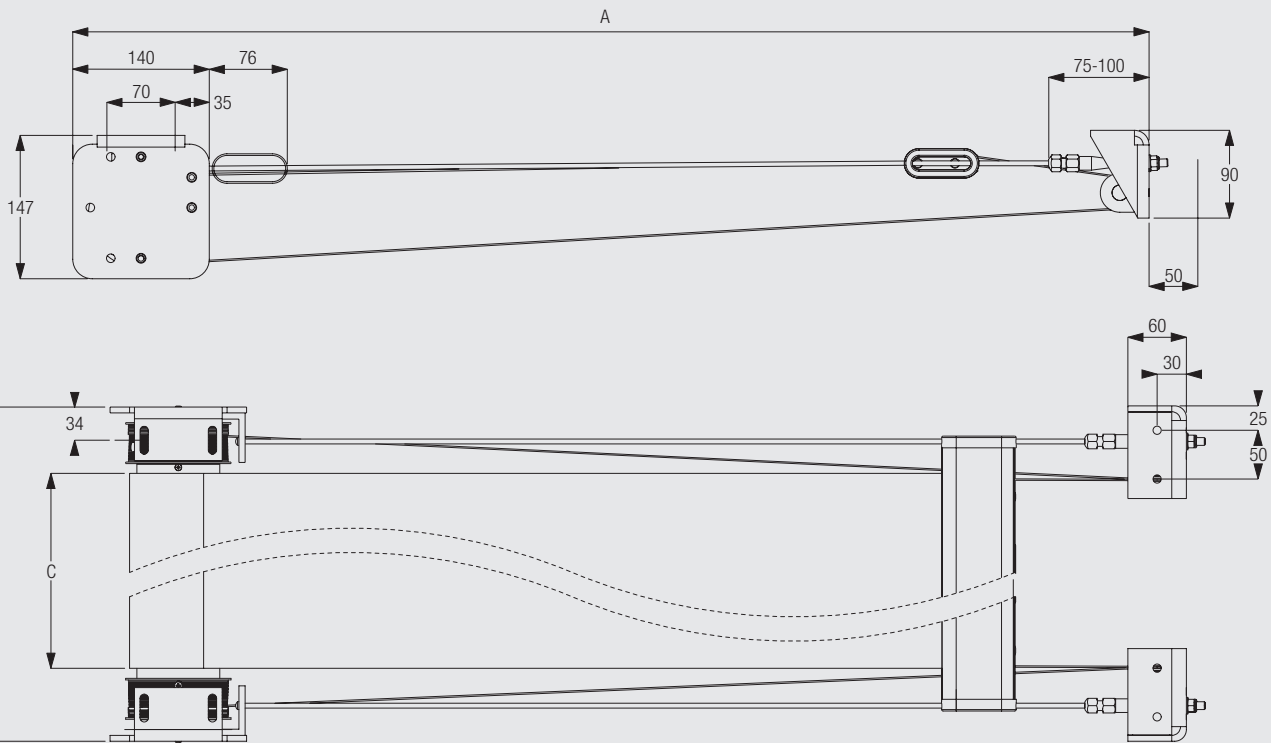
### Multiple systems



Each system requires its own motor.

## Fitting Information

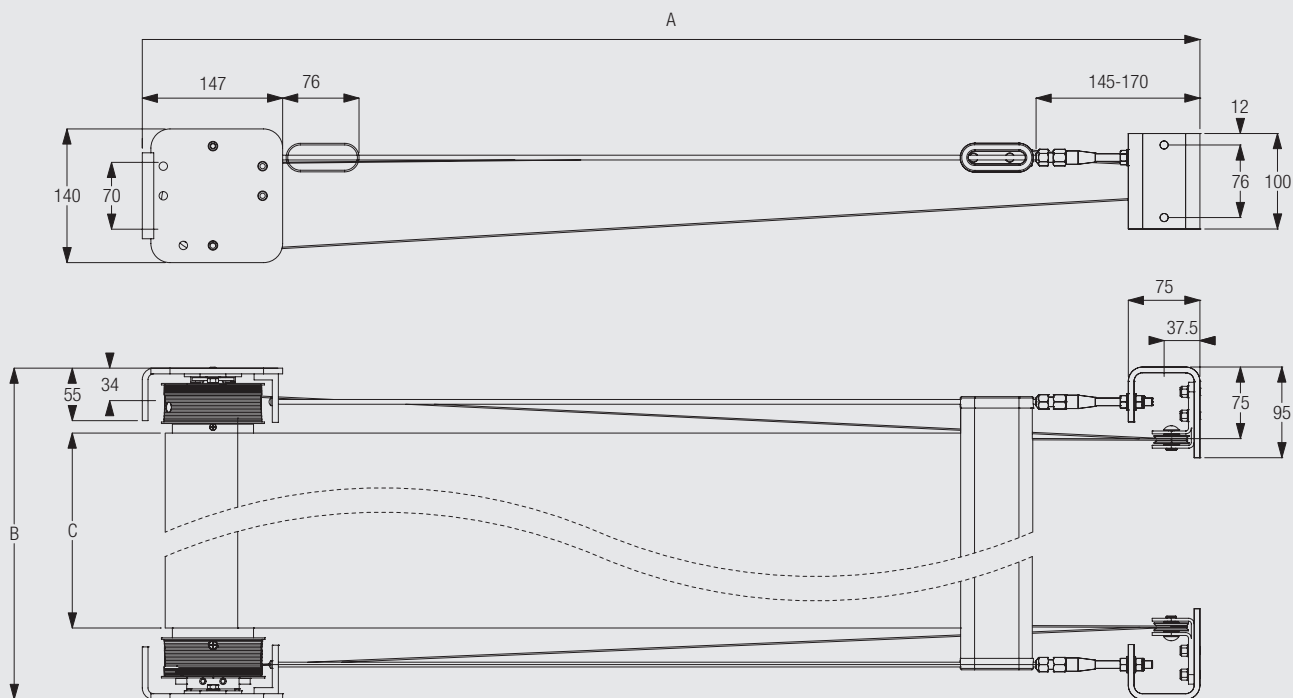
### Ceiling fix



- A: System length
- B: System width
- C: Fabric width (B - 145mm)

Note: ceiling fix return pulley requires 50mm back clearance.

## Wall fix

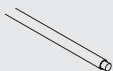


- A: System length
- B: System width
- C: Fabric width (B - 145mm)

## Standard Accessories

0766	In-line connector (complete/no lead)		8601	Profile	
8602	Profile		8603	Spring set short	
8604	Spring set long		8605	Motor set	
8606	Roller bracket ceiling left		8607	Roller bracket ceiling right	
8608	Pulley bracket ceiling left		8609	Pulley bracket ceiling right	
8611	Roller bracket wall left		8612	Roller bracket wall right	
8613	Pulley bracket wall left or right (reversible)		8614	Bottom bar pulley set	
8615	Bottom bar end cap set		8616	Wire guide set	
8617	Fabric insert (5mm)		8618	Fabric insert (6mm)	

8619 Tension wire (1.5mm)



## Optional Accessories

0578 Pattress box



0615 Latching switch inc. pattress box



5741 Klik plug

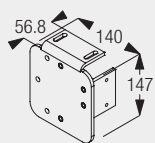


5742 Klik socket

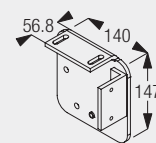


## Useful Measurements

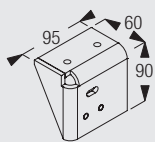
8606 Roller bracket ceiling left



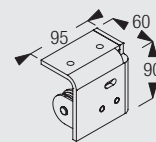
8607 Roller bracket ceiling right



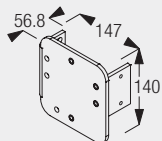
8608 Pulley bracket ceiling left



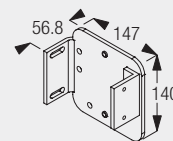
8609 Pulley bracket ceiling right



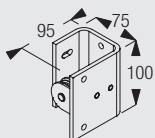
8611 Roller bracket wall left



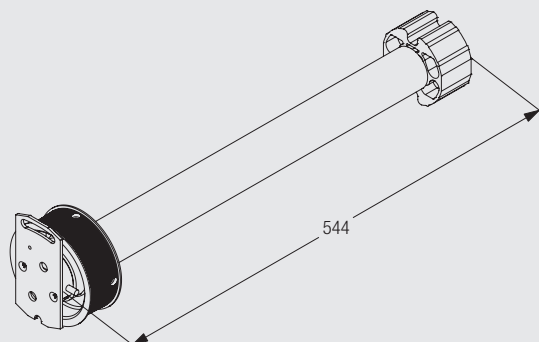
8612 Roller bracket wall right



8613 Pulley bracket wall left or right (reversible)



## Motorisation

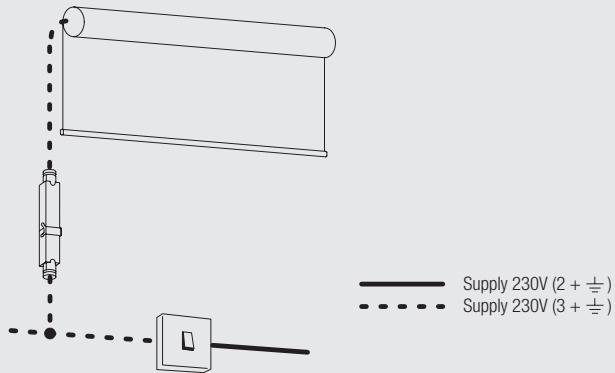


- Torque: 15Nm / 15Nm
- Voltage: 120V / 230V
- Frequency: 60Hz / 50Hz
- Power: 130W / 140W
- Current: 1.1A / 0.65A
- Speed: 18rpm / 17rpm
- Speed of travel: 7.5 cm per second
- Thermal overload protection
- Mechanical end stop

The Silent Gliss 8605 motor is an interference-free motor, designed to offer top performance in regard to strength and reliability. The entire motor is integrated in the tube. The motor will be supplied with 2.5m cable (white) with plug.

## Operating Methods

### Fixed Wall Switch

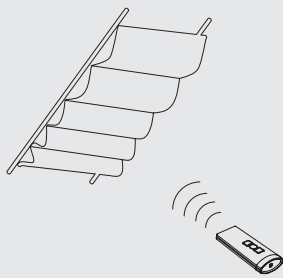


Relays (5736) must be used if **multiple systems** are connected in parallel.

When using the Fixed Switch control for multiple blinds, when operating simultaneously the blinds may not necessarily stop at precisely the same intermediate point. Top and bottom levels can be preset in alignment.

If this is a requirement then we recommend using Radio Control Systems 9940/0450 with individual and simultaneous switching.

### Radio Remote Control Systems Silent Gliss 9940/0450



System can be combined with Radio Remote Control Systems Silent Gliss 9940/0450 with minimum wiring. For further details, please refer to catalogue section "Motors & Controls".

## Wiring and Connections

**Important:** Wiring diagrams are available on the Silent Gliss website [www.silentgliss.co.uk](http://www.silentgliss.co.uk) (password required). Please contact Silent Gliss for information on access.



8600

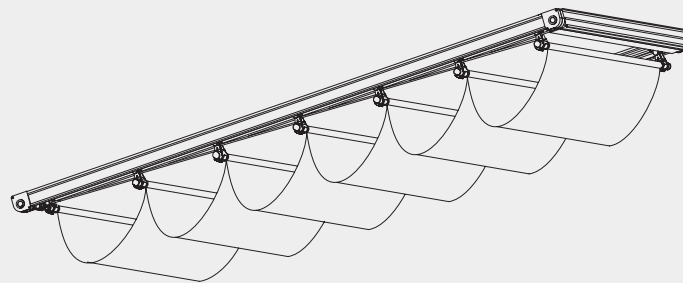


8600



## Motorised Skylight Shading System

# Silent Gliss® 8700



### Product Information

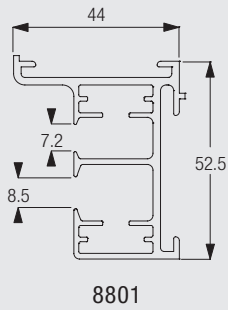
- A strong and technically advanced heavy duty glass roof shading system
- Uniform roman blind effect with Silent Gliss technical or decorative fabrics. Large and attractive fabric offer
- Electrically operated system
- Utilising modular and cantilever options, large and unusually shaped glass roofs can be shaded (max surface 50sqm)
- Suitable for applications up to 30° from horizontal
- The system components are made from flame retardant and uv-resistant material
- Can be combined with Radio Remote Control System Silent Gliss 9940/0450



8700

## Profile, Bending and Specification Information

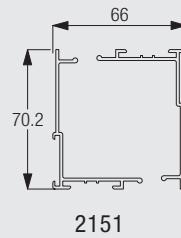
### Main Carrier Profile



8801



### Profile 2151 for motor cover



2151



Specification Information - download from Silent Gliss website [www.silentgliss.co.uk](http://www.silentgliss.co.uk).

8700 electrically operated skylight system ready assembled with motor enclosed headbox 2151 complete with drive shafts, side guide channels and cross rods for blinds. Side guide channels to be fixed at 60-80cm centres and headbox to be fixed with 3004 clamps and screw fix through headbox 2151. .... off.....wide x .....drop (girth) guide channels, side channels with cross rods at .....cm intervals.

## System Dimensions



5m (overall width)  
3m (between side channels)



12m



50sqm



50Kg

### Application shapes



8700

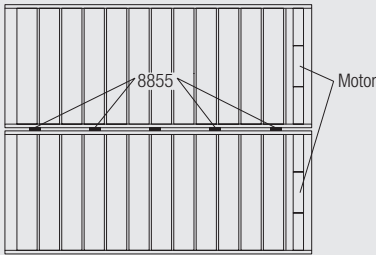
Cantilever option allows different application shapes.

### Maximum System Measures

Inclination	0°	15°	30°
System length	12m	10m	7m
Profile distance	3m	3m	3m
System width	5m	5m	5m
Max. surface	50m <sup>2</sup>	30m <sup>2</sup>	20m <sup>2</sup>
Max. weight	50kg	30kg	20kg

## System Options

### Multiple systems

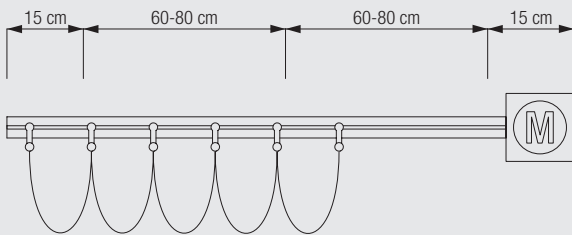


With intermediate bracket 8855 parallel fixing of multiple systems is possible. This modular approach allows shading of unlimited glazed areas.

Please note: each system requires its own motor.

## Fitting Information

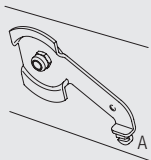
### Bracket positioning



This diagram illustrates the recommended positioning of brackets.

It is likely that customised brackets will be required with this system.

### Securing the clamp



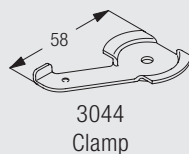
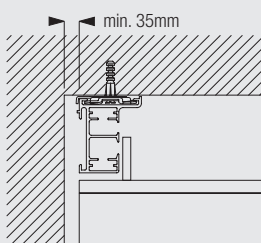
A: Clamps 3044 requires additional fixing with a small screw for maximum security.



8700

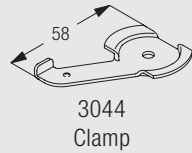
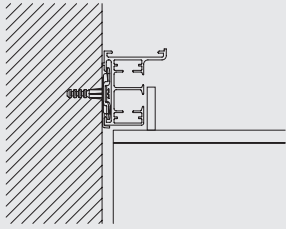
## Fitting Options

### Ceiling fix with clamp 3044

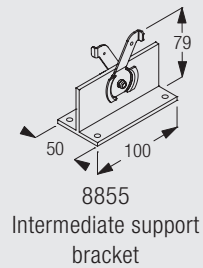
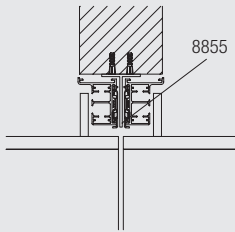


Clamp 3044 requires additional fixing with a small screw for maximum security.

## Wall fix with clamp 3044



## Parallel ceiling fix with intermediate support combination 8855 and clamp 3044 (multiple systems)



## Standard Accessories

0766 In-line connector (complete/no lead)



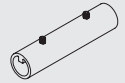
1003 Profile



2151 Profile



2242 Connector



3014 Endcover (22.4mm)



3044 Clamp



8700

3070 Twist eye endstop



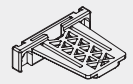
8801 Profile



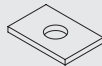
8821 Holder



8825 Holder



8861 Distance plate



## Optional Accessories

0578 Pattress box



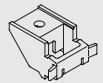
0615 Latching switch inc. pattress box



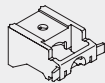
2116 Velcro profile



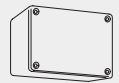
3603 Top fix bracket



3630 Bracket



5736 Relay socket



5741 Klik plug



5742 Klik socket

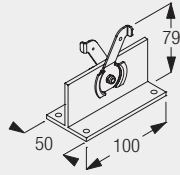


8855 Intermediate support bracket



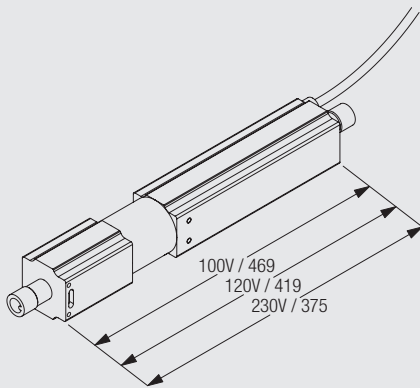
## Useful Measurements

8855 Intermediate support bracket



## Motorisation

### Motor Silent Gliss 9009

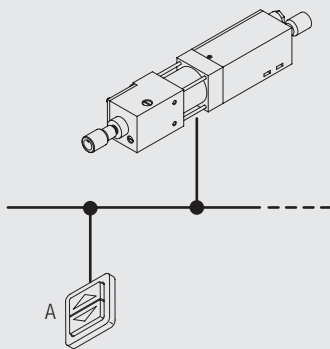


- Torque: 12Nm / 10Nm
- Voltage: 120V / 230V
- Frequency: 60Hz / 50Hz
- Power: 150W / 150W
- Current: 1.35A / 0.66A
- Speed: 30rpm / 35rpm
- Thermal overload protection
- Mechanical end stop

The Silent Gliss 9009 motor is an interference-free motor, designed to offer top performance in regard to strength and reliability.

## Operating methods

### Operation via fixed switch (single system)

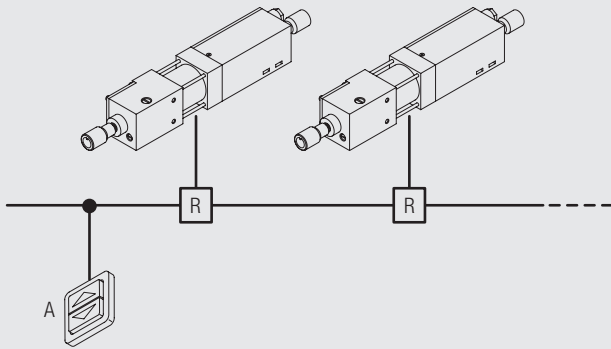


A: Switch and 120/230V supply  
All cabling between switch and motor is to be 3 core + earth



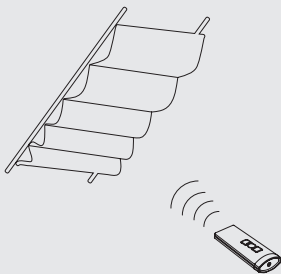
8700

### Operation via fixed switch (multiple systems)



A: Switch and 120/230V supply  
All cabling between switch - relay - motor is to be 3 core + earth  
R: Relay

### Operation with system 9940/0450 radio controls



System can be combined with Radio Remote Control Systems Silent Gliss 9940/0450 with minimum wiring. For further details, please refer to catalogue section "Motors & Controls".

### Wiring and Connections

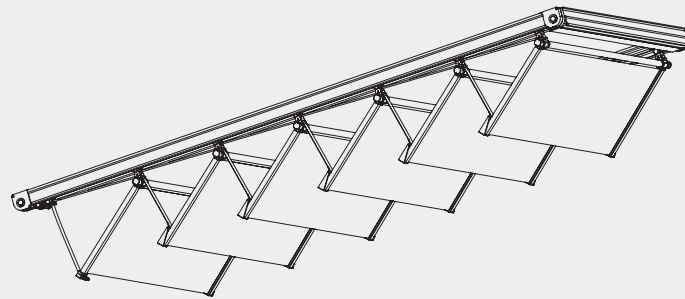
**Important:** Wiring diagrams are available at [www.silentgliss.co.uk](http://www.silentgliss.co.uk) (password required).



8700

## Motorised Skylight Shading System

# Silent Gliss® 8800



### Product Information

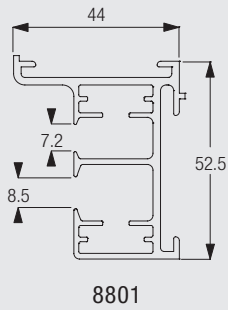
- A unique and technically advanced heavy duty glass roof shading system
- Panel tilting and retracting technique
- Suitable for applications up to 30° from horizontal
- Vertical positions of panels limits soiling and heat build up
- Specially defined fabrics available
- The system components are made from flame retardant and UV-resistant material
- Can be combined with Radio Remote Control System Silent Gliss 9940/0450



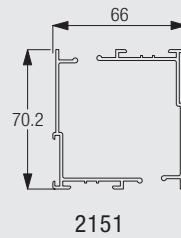
8800

## Profile, Bending and Specification Information

### Main Carrier Profile



### Profile 2151 for motor cover

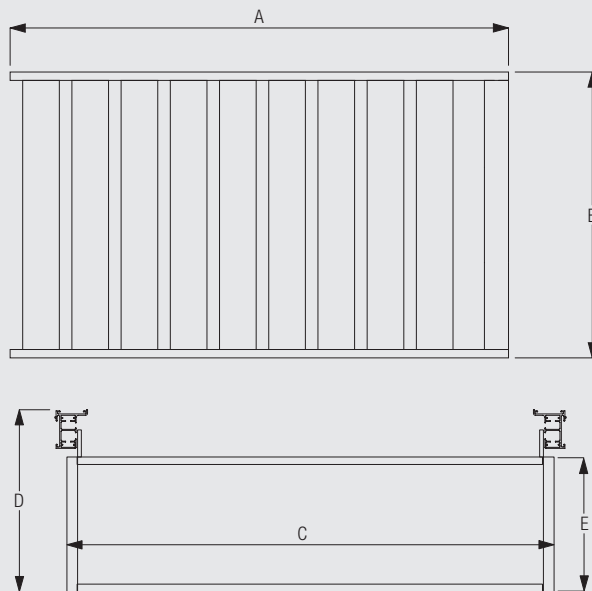


### Specification Information - download from Silent Gliss website [www.silentgliss.co.uk](http://www.silentgliss.co.uk)

8800 electrically operated tilting panel skylight system ready assembled with motor enclosed headbox 2151 complete with drive shafts, side guide channels and panels for blinds. Side guide channels to be fixed at 60-80cm centres and headbox to be fixed with 3004 clamps and screw fix through headbox 2151. .... off.....wide x .....drop (girth) guide channels, side channels with fabric panels ..... wide x 36cm drop suspended from system at 32cm intervals.

## Measuring and Planning

### How to measure



Sides must always be parallel

A: System length

B: System width

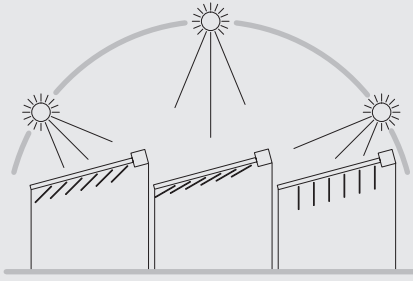
C: Panel width

D: Total system height is always 52cm

E: Fabric panel drop - 36cm



## Planning guidelines

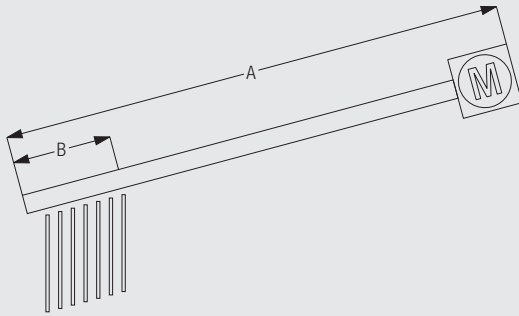


### Orientation of the System

In order to optimize glare and light control, special attention has to be given to the position of the system to the sun throughout the day.

It is important to consider that the panels always tilt towards the stack.

Due to the number of possible variables when planning this system it is important that advice is sought from a Silent Gliss trained technician.



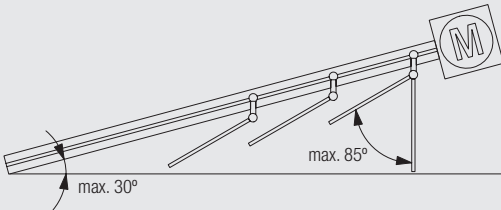
### Motor Positioning

With sloping systems, the motor is always positioned at the highest point of the system.

### Stack Sizes

Stack sizes are variable: As the length (A) increases, so does the stack (B).

A	4m	6m	8m	10m	12m
B	43cm	65cm	88cm	114cm	136cm



### Tilting on a sloping system

Suitable for applications up to 30° from horizontal. The maximum tilting of the panel from its vertical position is 85°.



8800

## System and Panel Dimensions



3m



max. 36sqm



12m (0° inclination)  
7m (30° inclination)



Max panels: 36



67kg

### Maximum system measures

Inclination	0°	15°	30°
Width	3m	3m	3m
Length	12m	10m	7m
height	0.52m	0.52m	0.52m

The maximum dimensions of the system and panels depend from the degree of inclination. The angle of the system will affect the maximum dimension.

## Panel measurements (fabric)

The height of the fabric panels is always 36cm.

## System Options

### Multiple systems

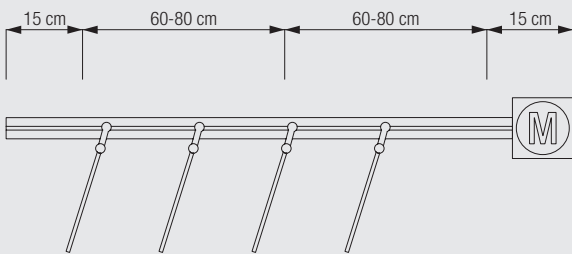


With intermediate bracket 8855 parallel fixing of multiple systems is possible. This allows shading of unlimited glazed areas.

However each system requires its own motor.

## Fitting Information

### Bracket positioning



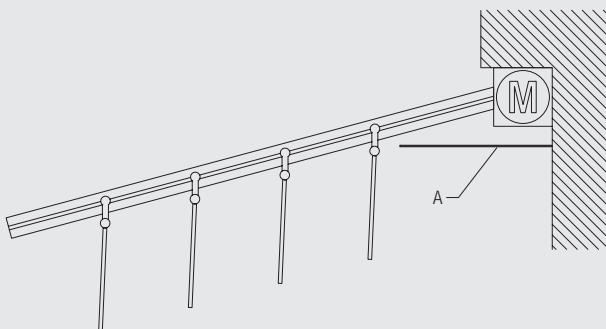
This diagram illustrates the likely positioning of brackets.

It is likely that customised brackets will be required with this system.

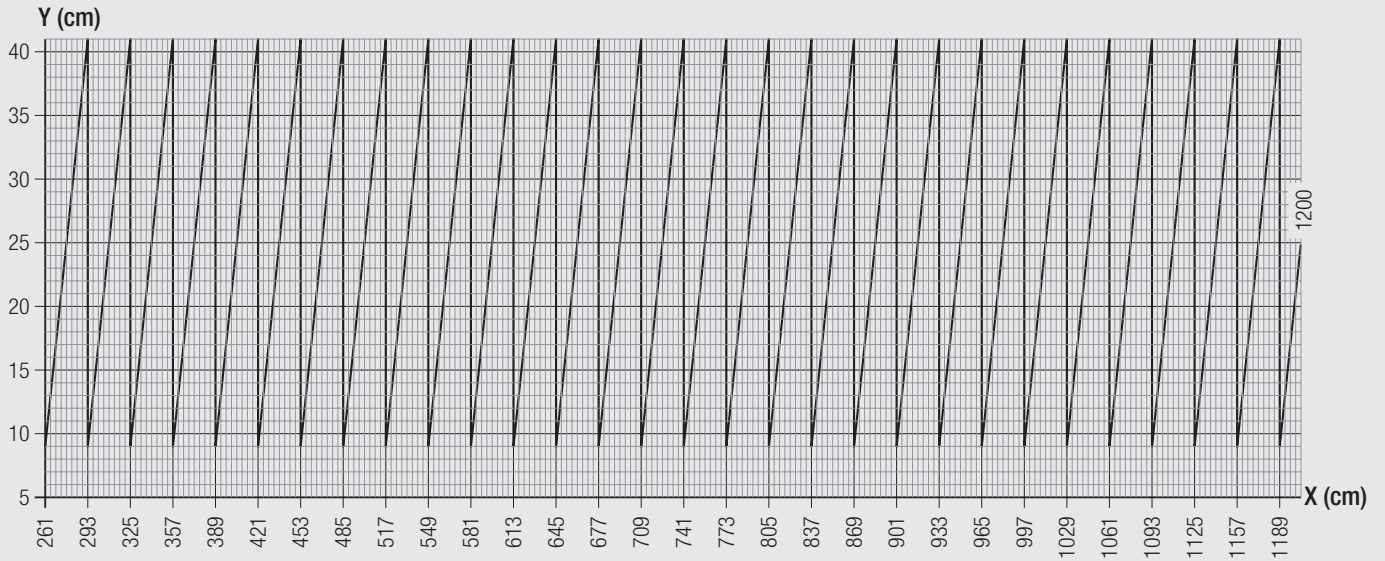
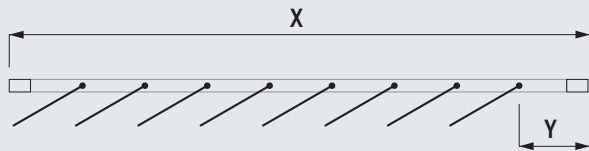


8800

### Fitting of motor and covering of motor gap

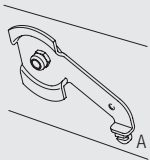


Customised cover panels may be required at either end of the system.



Due to technical reasons there will be a light gap (y) on the front side of the system. The size of the gap depends on the length of the system (x). If required, this gap can be hidden with a special faceplate (fitting on site).

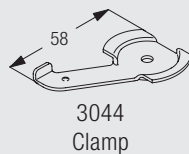
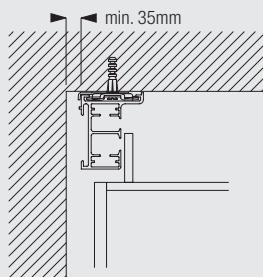
### Securing the clamp



A: Clamps 3044 require fixing with a small screw for maximum security.

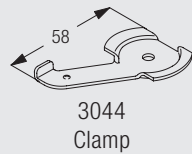
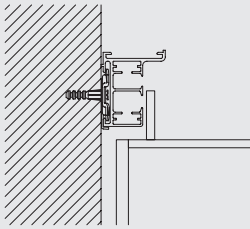
## Fitting Options

### Ceiling fix with clamp 3044 (single system)



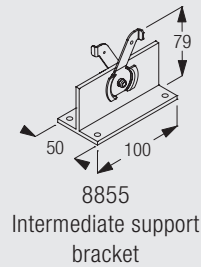
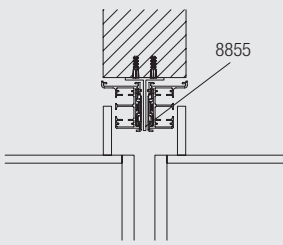
8800

## Wall fix with clamp 3044



Clamp 3044 requires additional fixing with a small screw for maximum security.

## Parallel ceiling fix with Intermediate support combination 8855 and clamp 3044 (multiple systems)



## Standard Accessories

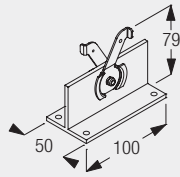
0766	In-line connector (complete/no lead)		1003	Profile	
2151	Profile		2242	Connector	
8800	Endcover (22.4mm)		3044	Clamp	
8801	Profile		8834	Wedge	
8837	Panel guide		8840	Tensioner comb.	

## Optional Accessories

0578	Pattress box		0615	Latching switch inc. pattress box	
5736	Relay socket		5741	Klik plug	
5742	Klik socket		8855	Intermediate support bracket	
8861	Distance plate				

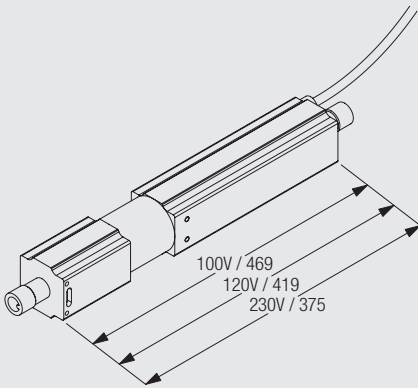
## Useful Measurements

8855 Intermediate support bracket



## Motorisation

### Motor Silent Gliss 9009

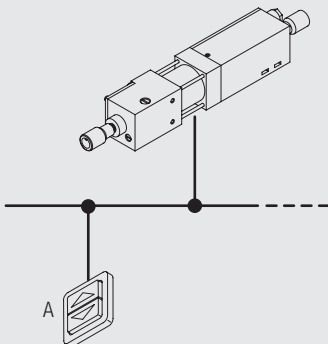


- Torque: 12Nm / 10Nm
- Voltage: 120V / 230V
- Frequency: 60Hz / 50Hz
- Power: 150W / 150W
- Current: 1.35A / 0.66A
- Speed: 30rpm / 35rpm
- Thermal overload protection
- Mechanical end stop

The Silent Gliss 9009 motor is an interference-free motor, designed to offer top performance in regard to strength and reliability. The entire motor is integrated in the profile.

### Operating Methods

Operation via fixed switch (single system)

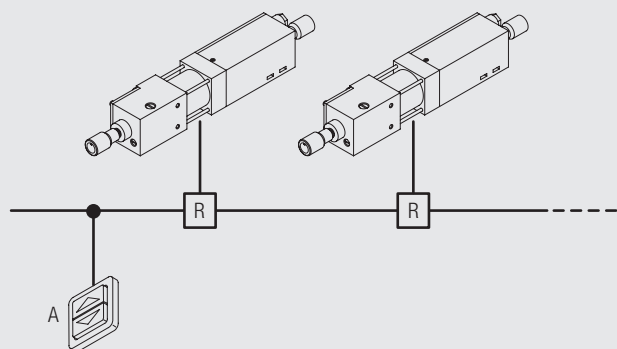


A: Switch and 120/230V supply  
All cabling between switch and motor is to be 3 core + earth



8800

### Operation via fixed switch (multiple systems)

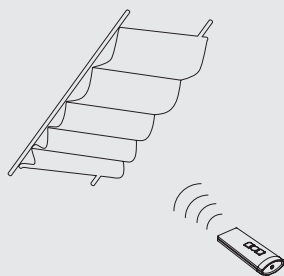


A: Switch and 120/230V supply

R: Relay

All cabling between switch - relay - motor is to be 3 core + earth

### Operation with radio control systems 9940/0450



System can be combined with Radio Remote Control Systems Silent Gliss 9940/0450, with minimum wiring. For further details, please refer to catalogue section "Motors & Controls".

## Wiring and Connections

**Important:** Wiring diagrams are available at [www.silentgliss.co.uk](http://www.silentgliss.co.uk) (password required).



8800