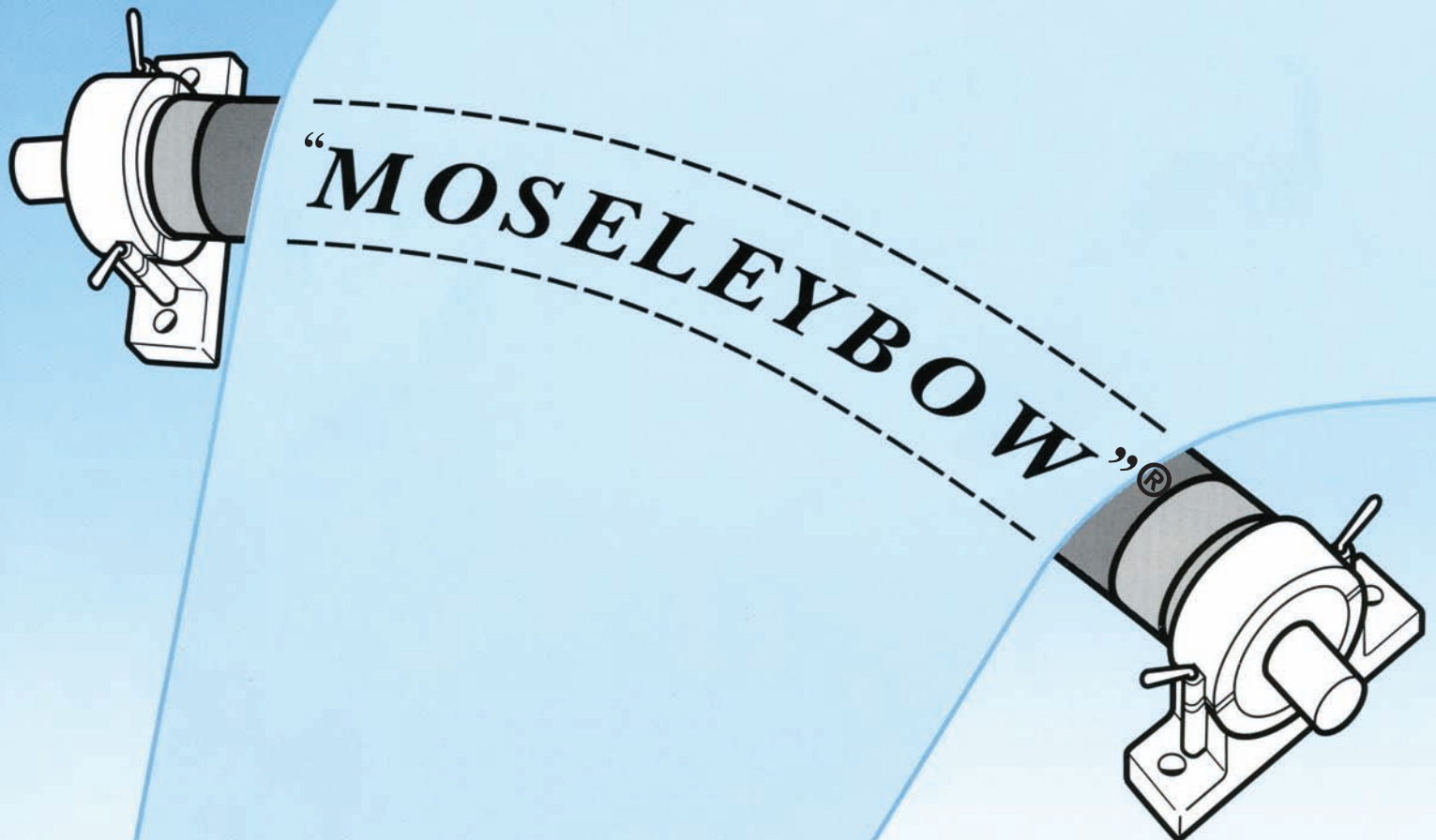


REGAL RUBBER



REGAL RUBBER BOWED ROLLS

Simpler By Design - Better By Far!

**British Engineering to
Exacting Standards for
High Speeds and Hard Places!**

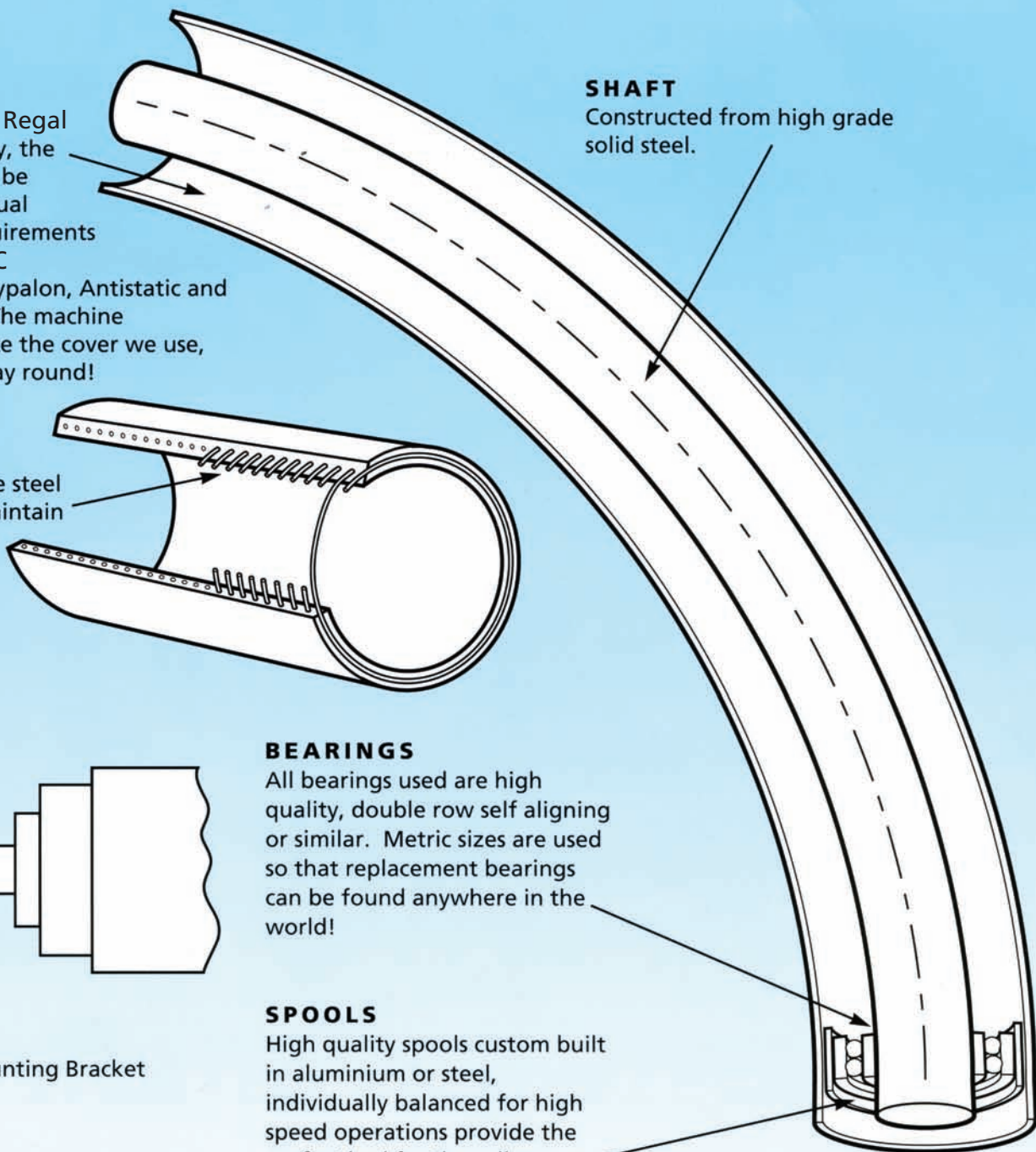


SIMPLE CONSTRUCTION - SUPERB RUNNABILITY!

The Composition of Quality

SLEEVE

Produced by the Regal Rubber Company, the outer sleeve can be suited to individual operational requirements using Nitrile, PVC Nitrile, EPDM, Hypalon, Antistatic and other rubbers. The machine conditions dictate the cover we use, not the other way round! Replacement sleeves are available. High speed sleeves are steel reinforced to maintain optimum performance.



SHAFT

Constructed from high grade solid steel.

BEARINGS

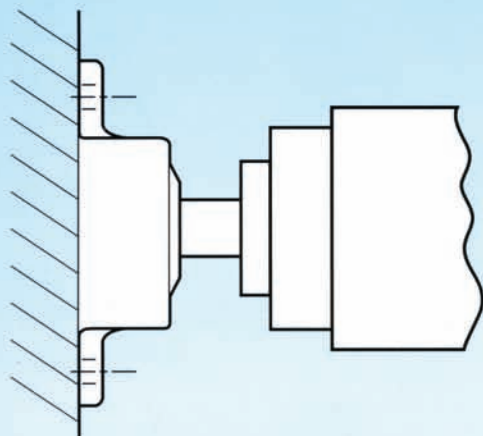
All bearings used are high quality, double row self aligning or similar. Metric sizes are used so that replacement bearings can be found anywhere in the world!

SPOOLS

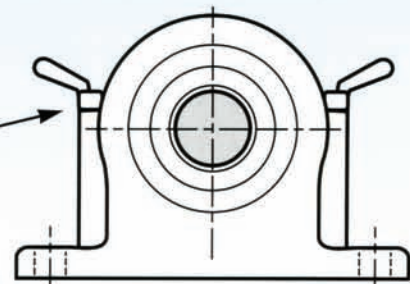
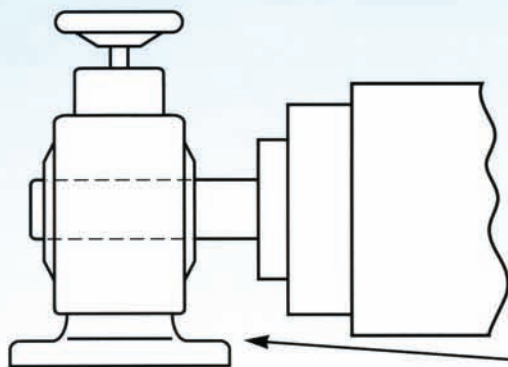
High quality spools custom built in aluminium or steel, individually balanced for high speed operations provide the perfect bed for the roll cover.

BRACKETS

Adjustable ball and socket brackets for easy set up of optimum angle of attack, OR fully adjustable angle brackets with swivel gearing for fine tuning on the run!



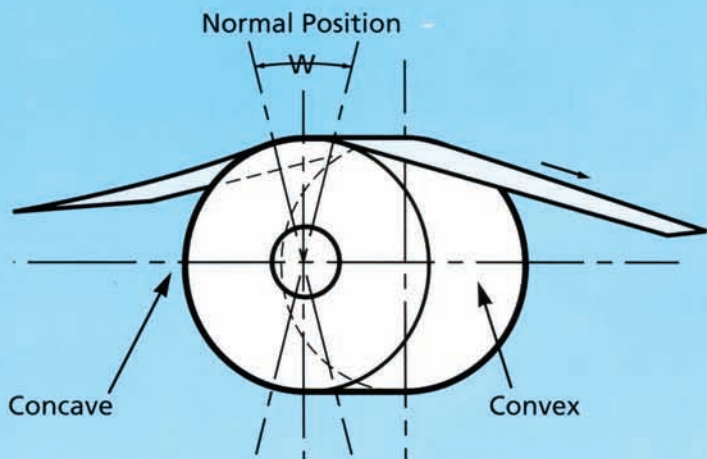
Side Wall Mounting Bracket



Base Mounting Bracket

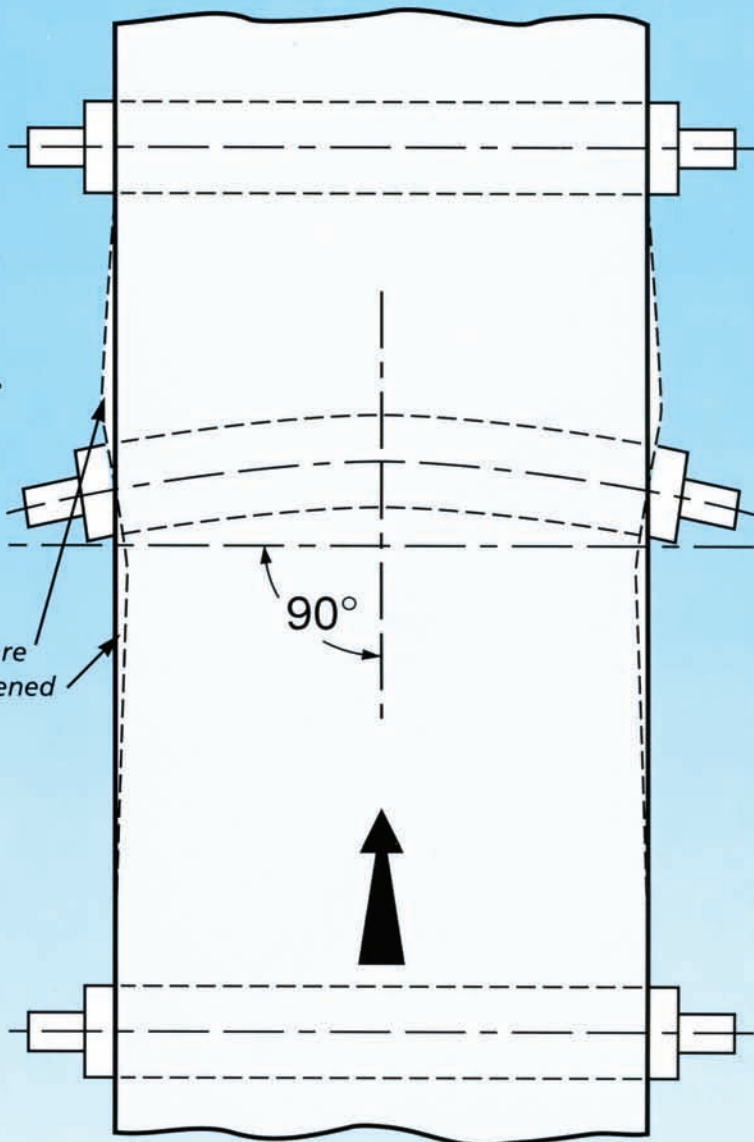
HOW TO GET THE *BEST* FROM YOUR 'MOSELEYBOW'[®]

NORMAL POSITIONING!



When used in its normal position, that is to say with the 'Moseleybow'[®] horizontal to the incoming Web and at 90° to it. The sheet is gently straightened out, eliminating wrinkles.

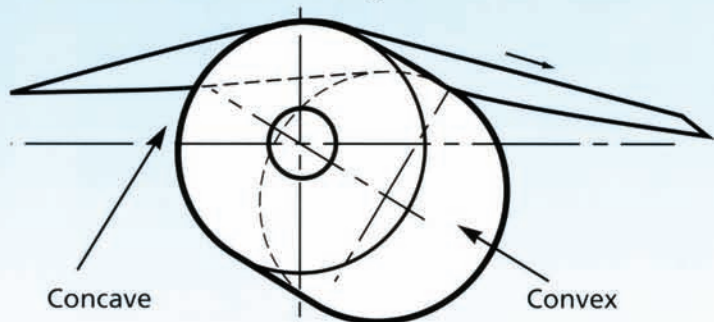
Web wrinkles are gently straightened



PROBLEM SOLVING!

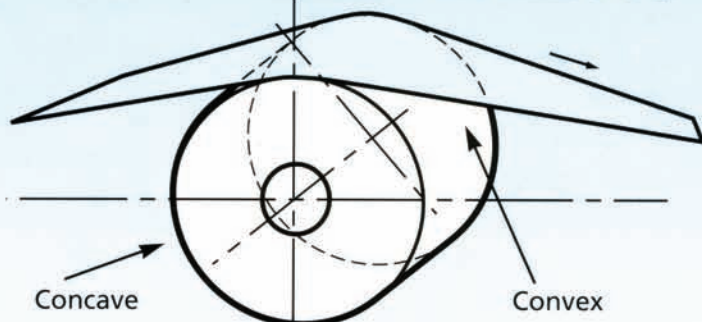
By rotating the 'Moseleybow'[®] through its axis common problems such as loose web edges and loose web middles can be eliminated.

Position with loose web edges



'Moseleybow'[®] is rotated downwards to compensate for loose edges.

Position with loose middle of web



'Moseleybow'[®] rotated upwards to take up slack in loose middle of sheet.

The end result of using a 'Moseleybow'[®] to eliminate creasing is a straighter smoother profile on all types of webs.

REFURBISHING SERVICE

As well as manufacturing 'MOSELEYBOW'[®] bowed rolls, REGAL RUBBER can refurbish all other makes of bowed rolls as well.

* Refurbishing service for all makes and sizes of rubber covered bowed rolls.

* All rolls stripped to the axle and renovated as new.

* Large stocks of original equipment parts carried - ensuring fast delivery.

* All rolls are dynamically tested prior to despatch.

* Technical sales engineers available to discuss your specific requirements.

'Moseleybows'[®] can be made in all sizes from 70mm diameter up to 340mm diameter and can be designed for speeds of up to 2000m/min.

Regal Rubber also produce a wide range of rubber and polyurethane roll covers for use in a multitude of applications.

When ordering or enquiring about 'Moseleybow' Bowed rollers the following information is required:

Face width

Web speed

Web weight

Web description

Bearing centres and bearing type required

Capacities up to:

6 metre Face Length

1.0 Metre Diameter Camber or Parallel Ground Finish

5 Tonnes Weight

For all your roll covering and bowed roll needs contact:

REGAL RUBBER PARTNERSHIP LLP
CARTMORE INDUSTRIAL ESTATE
LOCHGELLY, FIFE, SCOTLAND KY5 8LL
TEL: +44 (0) 1592 780632 FAX: +44 (0) 1592 782888
EMAIL: rollers@regalrubber.co.uk
WEB: www.regalrubber.co.uk

