



**BUILDING CODE COMPLIANCE OFFICE (BCCO)
PRODUCT CONTROL DIVISION**

**MIAMI-DADE COUNTY, FLORIDA
METRO-DADE FLAGLER BUILDING
140 WEST FLAGLER STREET, SUITE 1603
MIAMI, FLORIDA 33130-1563
(305) 375-2901 FAX (305) 375-2908**

NOTICE OF ACCEPTANCE (NOA)

**Alutech United, Inc.
P.O. Box 329
Selbyville, DE 19975**

SCOPE: This NOA is being issued under the applicable rules and regulations governing the use of construction materials. The documentation submitted has been reviewed by Miami-Dade County Product Control Division and accepted by the Board of Rules and Appeals (BORA) to be used in Miami Dade County and other areas where allowed by the Authority Having Jurisdiction (AHJ).

This NOA shall not be valid after the expiration date stated below. The Miami-Dade County Product Control Division (In Miami Dade County) and/or the AHJ (in areas other than Miami Dade County) reserve the right to have this product or material tested for quality assurance purposes. If this product or material fails to perform in the accepted manner, the manufacturer will incur the expense of such testing and the AHJ may immediately revoke, modify, or suspend the use of such product or material within their jurisdiction. BORA reserves the right to revoke this acceptance, if it is determined by Miami-Dade County Product Control Division that this product or material fails to meet the requirements of the applicable building code.

This product is approved as described herein, and has been designed to comply with the Florida Building Code including the High Velocity Hurricane Zone.

DESCRIPTION: 40mm Extruded Aluminum Slat Roll-Up Shutter

APPROVAL DOCUMENT: Drawing No. 05-192, titled "ASSA/40mm Bertha Roll-Up", prepared by Tilteco, Inc. dated 08/01/05, with last revision on 10/13/06, sheets 1 through 12 of 12 including 1A & 5A, bearing the Miami-Dade County Product Control Revision stamp with the Notice of Acceptance number and expiration date by the Miami-Dade County Product Control Division.

MISSILE IMPACT RATING: Large and Small Missile Impact

LABELING: Each unit shall bear a permanent label with the manufacturer's name or logo, city, state and the following statement: "Miami-Dade County Product Control Approved or MDCPCA", unless otherwise noted herein.

RENEWAL of this NOA shall be considered after a renewal application has been filed and there has been no change in the applicable building code negatively affecting the performance of this product.

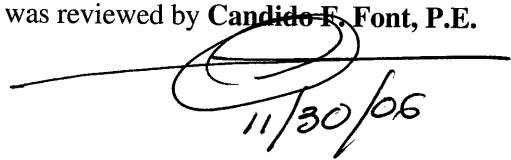
TERMINATION of this NOA will occur after the expiration date or if there has been a revision or change in the materials, use, and/or manufacture of the product or process. Misuse of this NOA as an endorsement of any product, for sales, advertising or any other purposes shall automatically terminate this NOA. Failure to comply with any section of this NOA shall be cause for termination and removal of NOA.

ADVERTISEMENT: The NOA number preceded by the words Miami-Dade County, Florida, and followed by the expiration date may be displayed in advertising literature. If any portion of the NOA is displayed, then it shall be done in its entirety.

INSPECTION: A copy of this entire NOA shall be provided to the user by the manufacturer or its distributors and shall be available for inspection at the job site at the request of the Building Official.

This NOA revises NOA # 05-0817.04 a member of ASSA and consists of this page, evidence page as well as approval document mentioned above.

The submitted documentation was reviewed by **Candido F. Font, P.E.**


11/30/06



**NOA No 06-0124.11
Expiration Date: February 14, 2011
Approval Date: November 30, 2006
Page 1**

NOTICE OF ACCEPTANCE: EVIDENCE SUBMITTED

A. DRAWING

1. Drawing No. 05-192, titled "ASSA/40 mm Bertha Roll-Up ", Sheets 1 through 12 including 1A & 5A of 12, prepared by Tilteco, Inc., dated 08/01/05, with last revision on 10/13/06, signed and sealed by W.A. Tillit Jr., PE.

B. TEST

1. Test report on Large Missile Impact Test per PA 201, Cyclic Wind Pressure Test per PA 203 and Uniform Static Air Pressure Test per PA 202, of "Series: 40mm; Aluminum Roll Up Shutter", prepared by Fenestration Testing Laboratory, Inc., Report No. 2749, dated 08/24/2000, signed and sealed by A. P. Gonzalez, PE.
2. Test report on Large Missile Impact Test per PA 201 of "Aluminum Storm Bar", prepared by Fenestration Testing Laboratory, Inc., Report No. 2760, dated 08/31/2000, signed and sealed by A. P. Gonzalez, PE.

C. CALCULATIONS

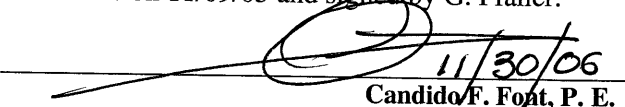
1. Comparative analysis for slats; storm bars, headers and anchors using rational analysis dated 09/14/00, pages 1 through 107 of 107, prepared by Tilteco Inc., signed and sealed by W. A. Tillit Jr., PE.
2. Revise calculations of 40mm roll-Up Shutter sheets 1 through 138, prepared by Tilteco Inc, signed and sealed by W. A. Tillit Jr. PE.

D. MATERIAL CERTIFICATION

1. Tensile Test Report No. 13974.0001, per ASTM B 557, prepared by ATC Associates, Inc. dated 09/20/00, signed and sealed by S.E. black, PE.

E. STATEMENTS

1. Letter of Code Compliance issued by Tilteco, Inc., on 04/04/2001, signed and sealed by W.Tillit Jr., PE.
2. No-financial interest letter issued by Tilteco, Inc., on 04/04/2001, signed and sealed by W. A.Tillit Jr., PE.
3. Test compliance letter issued by Fenestration Testing Laboratory, Inc., on 04/30/2001, signed and sealed by A. Acevedo, PE.
4. Test relinquish letter issued by Weather Guard, Inc. on 04/06/2001 and signed by D. D. Thomas.
5. Advise purchase letter issued by ASSA, Inc. on 04/08/2001 and signed by W. Feeley.
6. Letter of changes prepared by Tilteco, Inc. dated 12/13/02, signed and sealed by W. A. Tillit Jr. PE.
7. Release letter issued by ASSA, Inc. on 07/25/01 and signed by T. Kip.
8. Acknowledgment letter issued by Alutech United, Inc on 11/05/01 and G. Pfaller.
9. No change letter issued by Alutech United Inc on 11/09/05 and signed by G. Pfaller.


Candido F. Font, P. E.
Senior Product Control Examiner
NOA No 06-0124.11
Expiration Date: February 14, 2011
Approval Date: November 30, 2006

GENERAL NOTES:

1. ASSA/40mm BERTHA ROLL-UP SHOWN ON THIS PRODUCT APPROVAL DOCUMENT (P.A.D.) HAS BEEN VERIFIED FOR CODE COMPLIANCE IN ACCORDANCE WITH THE 2004 EDITION OF THE FLORIDA BUILDING CODE. DESIGN WIND LOADS SHALL BE DETERMINED AS PER SECTION 1620 OF THE ABOVE MENTIONED CODE. IN ORDER TO VERIFY THAT COMPONENTS AND ANCHORS ON THIS P.A.D. AS TESTED WERE NOT OVER STRESSED, A 33% INCREASE IN ALLOWABLE STRESS FOR WIND LOADS WAS NOT USED IN THEIR ANALYSIS. A DURATION FACTOR CD=1.60 WAS USED FOR VERIFICATION OF FASTENERS IN WOOD. ASSA/40mm BERTHA ROLL-UP ADEQUACY FOR IMPACT AND FATIGUE RESISTANCE HAS BEEN VERIFIED IN ACCORDANCE WITH SECTION 1609.1.4 OF THE ABOVE MENTIONED CODE PER FENESTRATION TESTING LAB. REPORTS # 2749 & 2760 AS PER TAS-201, TAS-202 & TAS-203 PROTOCOLS.
2. ALL ALUMINUM EXTRUSIONS SHALL BE 6063-T6 ALLOY (UNLESS OTHERWISE NOTED).
3. ALL SCREWS TO BE STAINLESS STEEL 304 OR 316 SERIES W/50 ksi YIELD STRENGTH AND 90 ksi TENSILE. STRENGTH OR CORROSION RESISTANT COATED CARBON STEEL AS PER DIN 50018. ALL S.M.S. ARE TEK SCREWS MANUFACTURED BY ITW-BUILDEX.
4. BOLTS TO BE A.S.T.M. A-307, GALVANIZED OR AISI 304 SERIES STAINLESS STEEL WITH 36 ksi MINIMUM YIELD STRENGTH.
5. STORM BARS AT FLOOR OR CEILING MOUNTING INSTALLATIONS MAY BE REMOVABLE AT NON HURRICANE CONDITIONS. HOWEVER, EACH STORM BAR SHALL BEAR A PERMANENT LABEL IN A VISIBLE PLACE WITH A WARNING NOTE INSTRUCTING THE TENANT OR OWNER THAT STORM BARS MUST BE INSTALLED WITH CORRESPONDING HARDWARE DURING PERIODS OF HURRICANE WARNING AND THAT ROLL UP SHUTTERS WILL NOT OFFER HURRICANE PROTECTION UNLESS ALL STORM BARS ARE INSTALLED AS DIRECTED.
6. REMOVABLE STORM BARS SHALL BE STORED IN A CONSPICUOUS PLACE WITH EASY AND IMMEDIATE ACCESS SO THAT THEY CAN BE REACHED AND INSTALLED ANY TIME (HURRICANE CONDITIONS OR NOT) SLATS ARE ROLLED DOWN. THE EFFECT OF THE SLATS ROLLED DOWN WITHOUT STORM BARS IS; THOSE SLATS WILL SLIP OUT OF TRACK DUE TO THE DEFLECTION CAUSED BY WIND FORCES.
7. ANCHORS TO WALL FOR SIDE RAILS & BOX CONNECTION SHALL BE AS FOLLOWS: (UNLESS OTHERWISE NOTED)
 - (A) TO EXISTING POURED CONCRETE (f'c=3320 psi Min.):
 - 1/4" Ø TAPCON ANCHORS AS MANUFACTURED BY ELCO TEXTRON.
 - NOTES:
 - A.1) MINIMUM EMBEDMENT OF TAPCON ANCHORS INTO POURED CONCRETE SHALL BE 1 3/4". NO EMBEDMENT INTO STUCCO SHALL BE CONSIDERED AS PART OF THE REQUIRED EMBEDMENT.
 - A.2) IN CASE THAT PRECAST STONE, PRECAST CONCRETE PANELS, OR PAVERS BE FOUND ON THE EXISTING WALL OR FLOOR, ANCHORS SHALL BE LONG ENOUGH TO REACH THE MAIN STRUCTURE BEHIND SUCH PANELS.
 - (B) TO EXISTING CONCRETE BLOCK WALL:
 - 1/4" Ø TAPCON ANCHORS, AS MANUFACTURED BY ELCO TEXTRON.
 - NOTES:
 - B.1) MINIMUM EMBEDMENT OF TAPCON ANCHORS, INTO THE CONCRETE BLOCK UNIT SHALL BE 1 1/4".
 - B.2) IN CASE THAT PRECAST STONE, PRECAST CONCRETE PANELS, OR PAVERS BE FOUND ON THE EXISTING WALL OR FLOOR, ANCHORS SHALL BE LONG ENOUGH TO REACH THE MAIN STRUCTURE BEHIND SUCH PANELS.
 - (C) ANCHORS SHALL BE INSTALLED FOLLOWING ALL OF THE RECOMMENDATIONS AND SPECIFICATIONS OF THE ANCHOR'S MANUFACTURER.
 - (D) ANCHORS REQUIRED FOR STORM BARS, HEADERS & MULLION CONNECTIONS TO CONCRETE (f'c=3 ksi Min.) SHALL BE AS SPECIFIED ON APPLICABLE SECTIONS SHOWN ON SHEET 5, 5A, 6, & 7 OF 12 RESPECTIVELY. POWER BOLTS & CALK-IN ANCHORS TO BE AS MANUFACTURED BY POWERS FASTENERS, INC. 1/4" Ø TAPCON ANCHORS, AS MANUFACTURED BY ELCO TEXTRON. MINIMUM EDGE DISTANCE AND SPACING FOR ABOVE MENTIONED ANCHORS SHALL BE AS INDICATED BELOW OR AT ABOVE MENTIONED SHEET, WHICHEVER IS LARGER (MORE CRITICAL).

ANCHOR	SPACING	EDGE DISTANCE	EMBEDMENT	
			CONCRETE	CONCRETE BLOCK
3/8" Ø POWER BOLT	3 3/4"	4 1/2"	VARIES	1 1/2"
1/4" Ø CALK-IN	2 1/2"	3"	7/8" (3000 psi)	-
1/4" Ø TAPCON	3"	2 1/2"	1 3/4" (3000 psi)	1 1/4"
3/8" Ø CALK-IN	3 3/4"	4 1/2"	1 1/4" (3000 psi)	-
1/2" Ø POWER BOLT	5"	6"	VARIES	1 1/2"

8. IT SHALL BE THE RESPONSIBILITY OF THE CONTRACTOR TO VERIFY THE SOUNDNESS OF THE STRUCTURE WHERE SHUTTER IS TO BE ATTACHED TO INSURE PROPER ANCHORAGE.
9. ROLL-UP MECHANISM NOT PART OF THIS APPROVAL, BUT SHALL BE CERTIFIED BY AN INDEPENDENT TESTING AGENCY.
- 10.(a) THIS P.A.D. PREPARED BY THIS ENGINEER IS GENERIC AND DOES NOT PROVIDE INFORMATION FOR A SITE SPECIFIC PROJECT; i.e. WHERE THE SITE CONDITIONS DEVIATE FROM THE P.A.D.
 - (b) CONTRACTOR TO BE RESPONSIBLE FOR THE SELECTION, PURCHASE AND INSTALLATION INCLUDING LIFE SAFETY OF THIS PRODUCT, BASED ON THIS P.A.D. PROVIDED HE/SHE DOES NOT DEVIATE FROM THE CONDITIONS DETAILED ON THIS DOCUMENT. CONSTRUCTION SAFETY AT SITE IS THE CONTRACTOR'S RESPONSIBILITY.
 - (c) THIS P.A.D. WILL BE CONSIDERED INVALID IF ALTERED BY ANY MEANS.
 - (d) SITE SPECIFIC PROJECTS SHALL BE PREPARED BY A FLORIDA REGISTERED ENGINEER OR ARCHITECT WHICH WILL BECOME THE ENGINEER OF RECORD (E.O.R.) FOR THE PROJECT AND WHO WILL BE RESPONSIBLE FOR THE PROPER USE OF THE P.A.D.
 - (e) THIS P.A.D. SHALL COMPLY WITH SECTION 2:61G15 OF THE FLORIDA ADMINISTRATIVE CODE.
11. SHUTTER MANUFACTURER'S LABEL SHALL BE PLACED ON THE EXPOSED SURFACE OF THE SIDE RAIL APPROXIMATELY 4" ABOVE THE BOTTOM OF SUCH RAIL. LABEL SHALL READ AS FOLLOWS:

ALUTECH UNITED, INC.
 SELBYVILLE, DE
 MIAMI-DADE COUNTY PRODUCT CONTROL APPROVED.

12. ONCE ALL COMPONENTS HAVE BEEN CHOSEN, CHECK FOR COMPLIANCE WITH SECTION 1613.1.9 OF THE FLORIDA BUILDING CODE 2004.

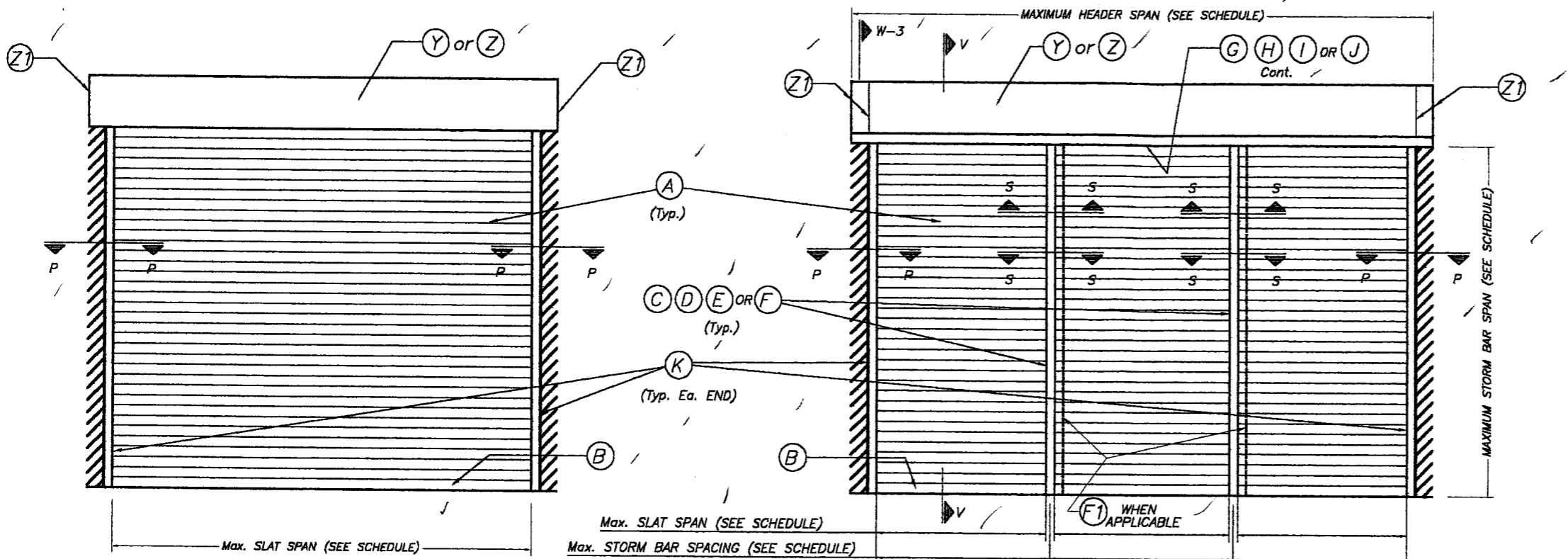
06-0/24/11
 02/19/11

F.B.C. (High Velocity Hurricane Zone)

 TILLIT TESTING & ENGINEERING COMPANY 6355 N.W. 36th St., Ste. 305 - VIRGINIA GARDENS, FL 33168 Phone: (305)871-1530 Fax: (305)871-1531 EB-0006719 WALTER A. TILLIT Jr., P. E. FLORIDA Lic. # 44167	ASSA/40mm BERTHA ROLL-UP		DRAWN BY: J.J.V./L.G.
	ALUTECH UNITED, INC. (ASSA # 68) 15 DIXON STREET SELBYVILLE, DE 19975 PH: 302-854-9100, FAX: 302-436-5100		8/1/05 DATE
	REV. No DESCRIPTION DATE REV. No DESCRIPTION DATE 1 OLD 02-525 8/1/05 3 2 GENERAL NOTES 10/13/06 4		05-192 DRAWING No

AUG 23 2005

SHEET 1 OF 12

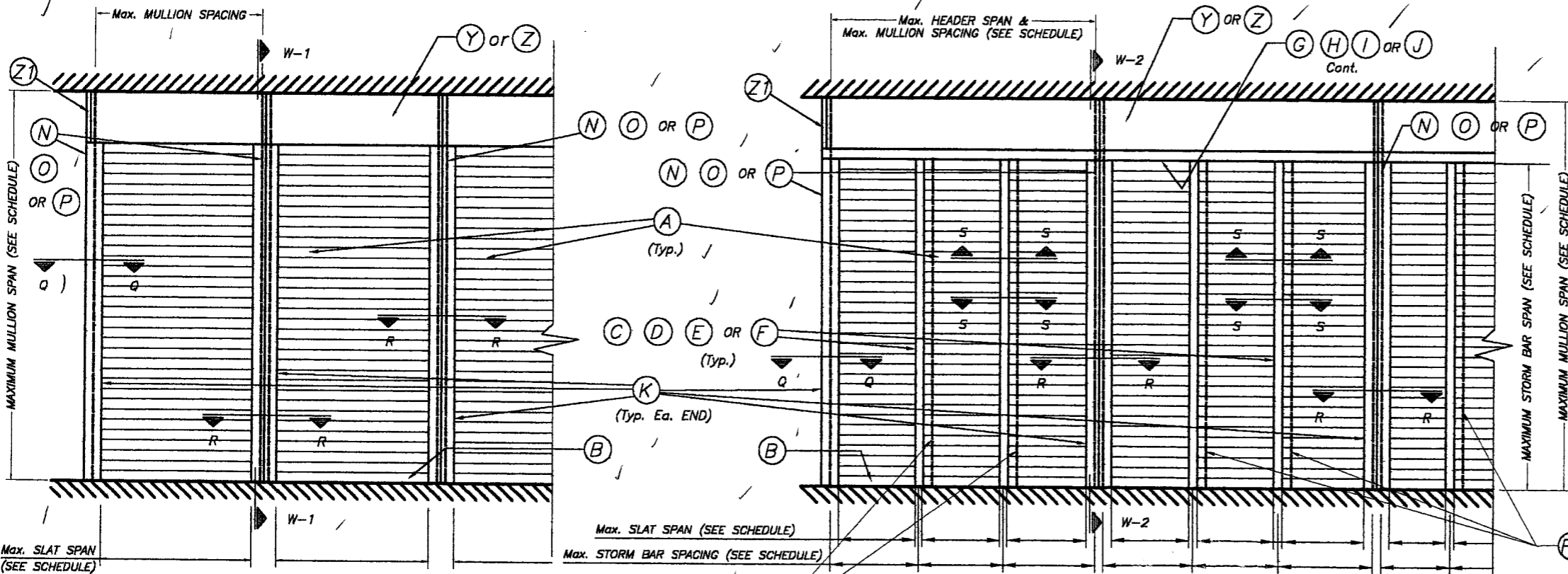


TYPICAL SINGLE UNIT ELEVATION (NO STORM BARS REQUIRED)

NOTE: SEE SHEET 2 & 3 OF 12 FOR COMPONENTS NOMENCLATURE.

TYPICAL MULTIPLE UNIT ELEVATION (STORM BARS REQUIRED)

NOTE: SEE SHEET 2 & 3 OF 12 FOR COMPONENTS NOMENCLATURE.



TYPICAL CONSECUTIVE SINGLE UNIT ELEVATION (NO STORM BARS REQUIRED)

NOTE: SEE SHEET 2 & 3 OF 12 FOR COMPONENTS NOMENCLATURE.

TYPICAL CONSECUTIVE MULTIPLE UNIT ELEVATION (STORM BARS REQUIRED)

NOTE: SEE SHEET 2 & 3 OF 12 FOR COMPONENTS NOMENCLATURE.

06-0124.11
02/19/11

NOTE: SEE SECTIONS ON SHEET 4 THRU 7.

AUG 23 2005

TILECO INC.
TILLIT TESTING & ENGINEERING COMPANY
6356 N.W. 36th. St., Ste. 305 - VIRGINIA GARDENS, FL 33166
Phone : (305)871-1530 . Fax : (305)871-1531
EB-0008719
WALTER A. TILLIT Jr., P. E.
FLORIDA Lic. # 44167

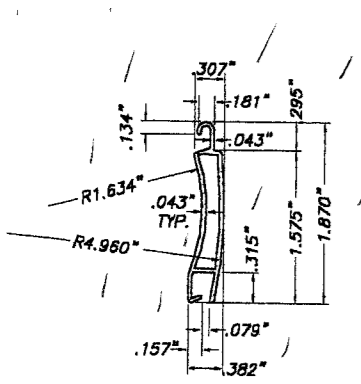
F.B.C. (High Velocity Hurricane Zone)

ASSA/40mm BERTHA ROLL-UP

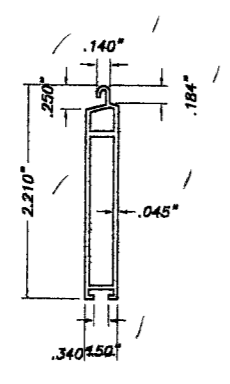
ALUTECH UNITED, INC.
(ASSA # 68)
15 DIXON STREET
SELBYVILLE, DE 19975
PH: 302-854-9100, FAX: 302-436-5100

DRAWN BY: J.J.V.	
8/1/05 DATE	
05-192 DRAWING No	
SHEET 1A OF 12	

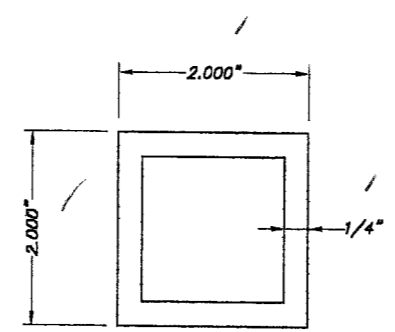
REV. No	DESCRIPTION	DATE	REV. No	DESCRIPTION	DATE
1	OLD 02-825	8/1/05	3		
2			4		



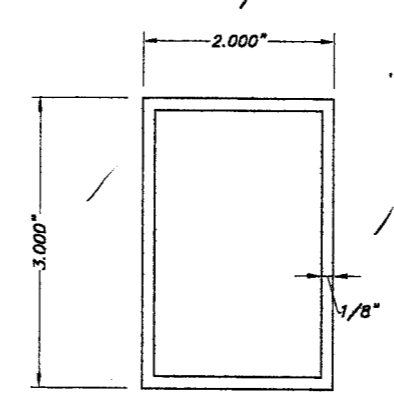
(A) TYPE 1 SLAT:
EXTRUDED ALUMINUM SLAT
6063-T6 ALUMINUM ALLOY
SCALE: 1/2" = 1"



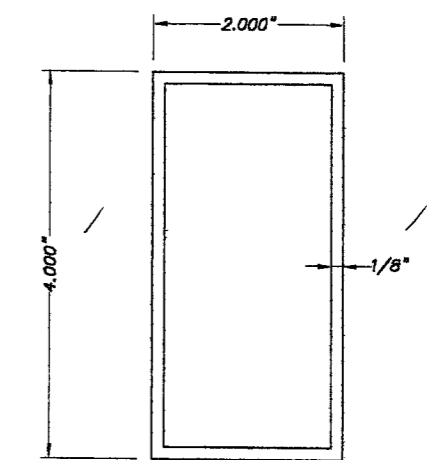
(B) TYPE 2 SLAT:
EXTRUDED ALUMINUM BOTTOM SLAT
6063-T6 ALUMINUM ALLOY
SCALE: 1/2" = 1"



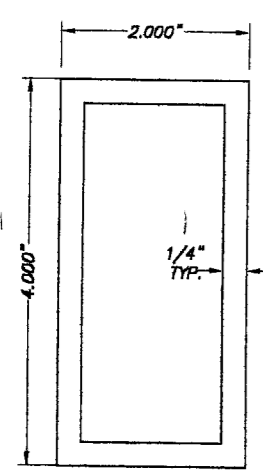
(C) TYPE 1 STORM BAR:
2" EXTRUDED STORM BAR
6063-T6 ALUMINUM ALLOY
SCALE: 1/2" = 1"



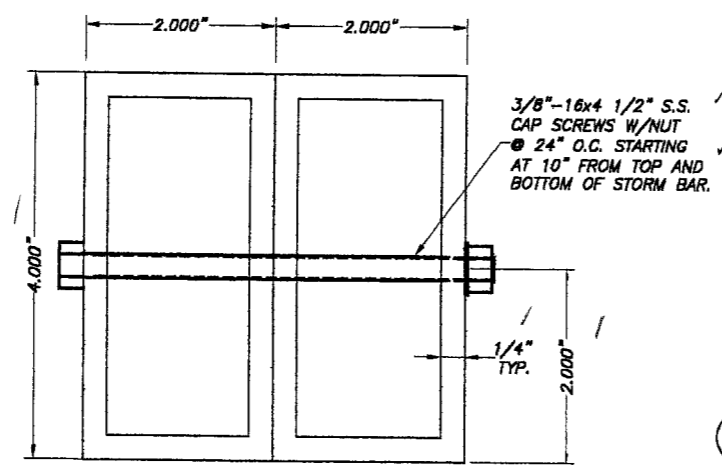
(D) TYPE 2 STORM BAR:
3" EXTRUDED STORM BAR
6063-T6 ALUMINUM ALLOY
SCALE: 1/2" = 1"



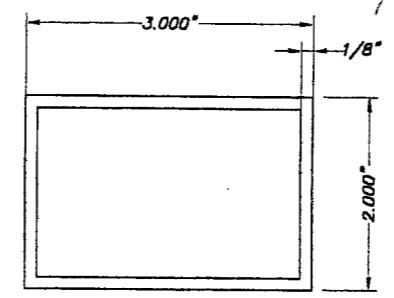
(E) TYPE 3 STORM BAR:
4" EXTRUDED STORM BAR
6063-T6 ALUMINUM ALLOY
SCALE: 1/2" = 1"



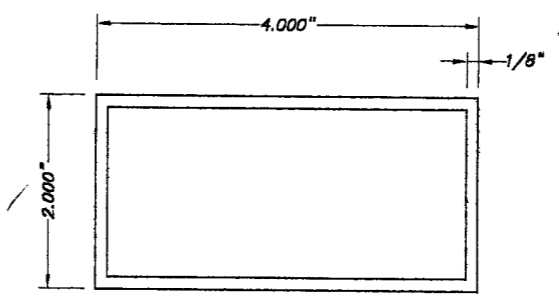
(F) TYPE 4 STORM BAR:
4" HEAVY EXTRUDED STORM BAR
6063-T6 ALUMINUM ALLOY
SCALE: 1/2" = 1"



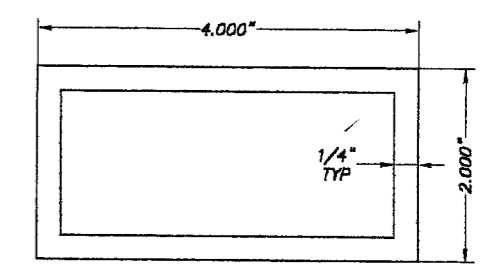
(F1) TYPE 5 STORM BAR:
4" HEAVY EXTRUDED STORM BAR
6063-T6 ALUMINUM ALLOY
SCALE: 1/2" = 1"



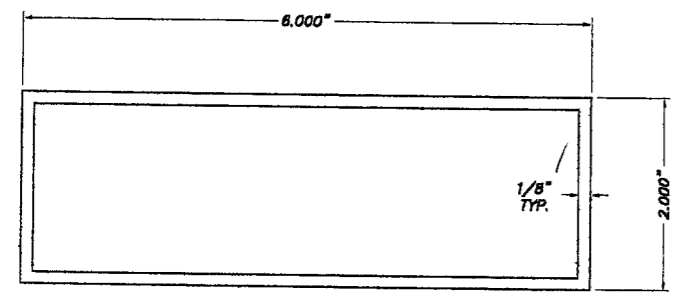
(G) HEADER TYPE 1:
6063-T6 ALUMINUM ALLOY
SCALE: 1/2" = 1"



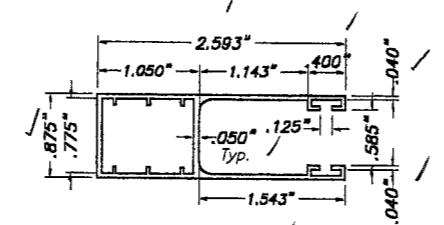
(H) HEADER TYPE 2:
6063-T6 ALUMINUM ALLOY
SCALE: 1/2" = 1"



(I) HEADER TYPE 3:
6063-T6 ALUMINUM ALLOY
SCALE: 1/2" = 1"



(J) HEADER TYPE 4:
6063-T6 ALUMINUM ALLOY
SCALE: 1/2" = 1"



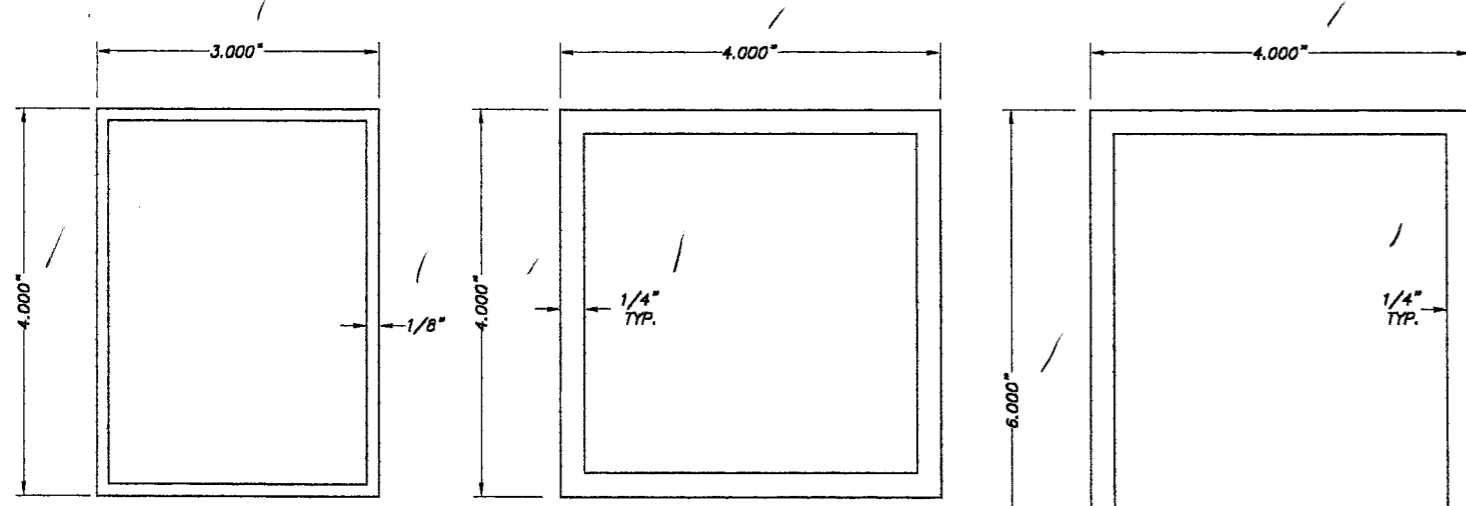
(K) TYPE 1 SIDE RAIL:
6063-T6 Alum. ALLOY
SCALE: 1/2" = 1"

PRODUCT REVISED
to comply with the Florida
Building Code
Adaptation to
Department of
06-0124.11
02/19/11

F.B.C. (High Velocity Hurricane Zone)

AUG 23 2005

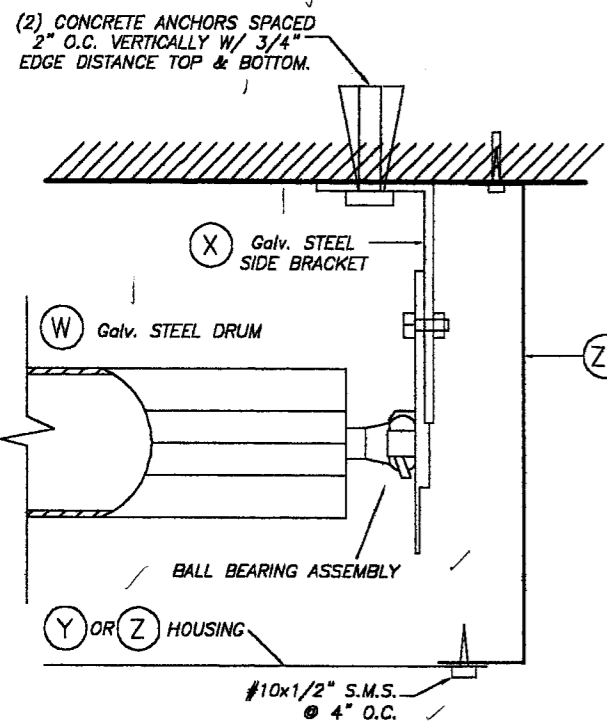
 TILTECO INC. TILLIT TESTING & ENGINEERING COMPANY 8355 N.W. 36th St., Ste. 305 - VIRGINIA GARDENS, FL 33166 Phone: (305)871-1530 Fax: (305)871-1531 EB-0008719 WALTER A. TILLIT Jr., P. E. FLORIDA Lic. # 44167		ASSA/40mm BERTHA ROLL-UP ALUTECH UNITED, INC. (ASSA # 68) 15 DIXON STREET SELBYVILLE, DE 19975 PH: 302-854-9100, FAX: 302-436-5100		DRAWN BY: J.J.V. 8/1/05 DATE	
		05-192 DRAWING No		SHEET 2 OF 12	
REV. No	DESCRIPTION	DATE	REV. No	DESCRIPTION	DATE
1	OLD 02-825	8/1/05	3		
2			4		



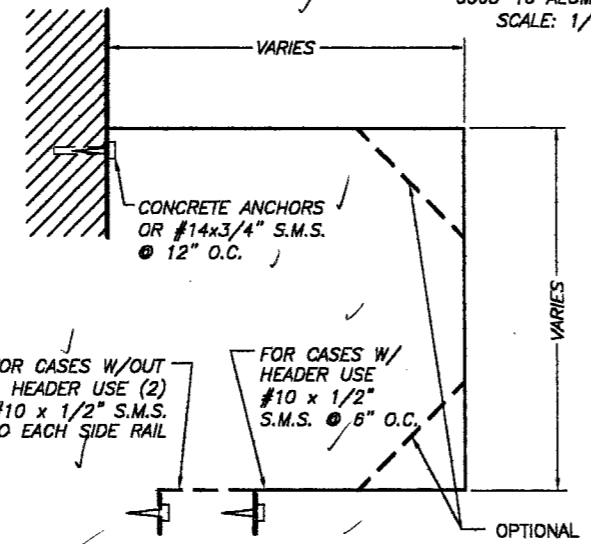
(N) TYPE 1 MULLION:
4" EXTRUDED MULLION
6063-T6 ALUMINUM ALLOY
SCALE: 1/2" = 1"

(O) TYPE 2 MULLION:
4" EXTRUDED MULLION
6063-T6 ALUMINUM ALLOY
SCALE: 1/2" = 1"

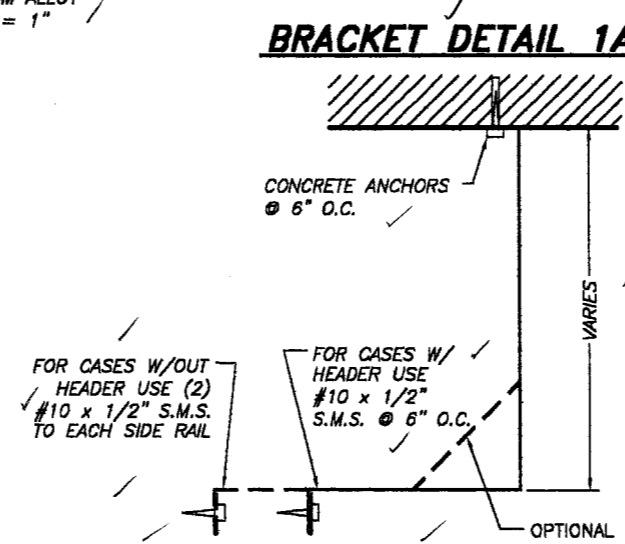
(P) TYPE 3 MULLION:
6" EXTRUDED MULLION
6063-T6 ALUMINUM ALLOY
SCALE: 1/2" = 1"



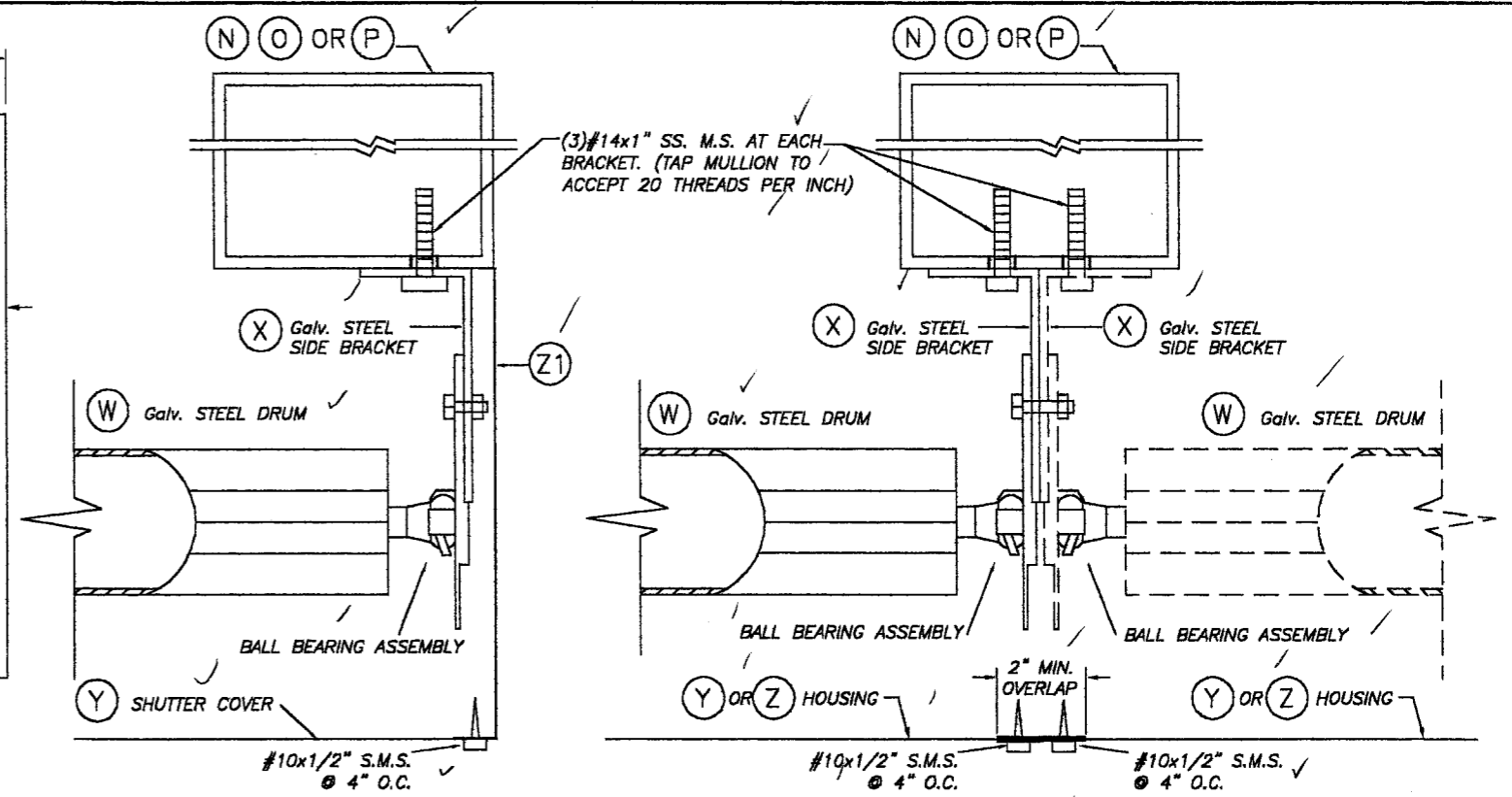
BRACKET DETAIL 1



(Y) WALL MOUNT HOUSING
SCALE: 3/16" = 1"
3105-H14 ALUMINUM ALLOY
THICKNESS: .032"

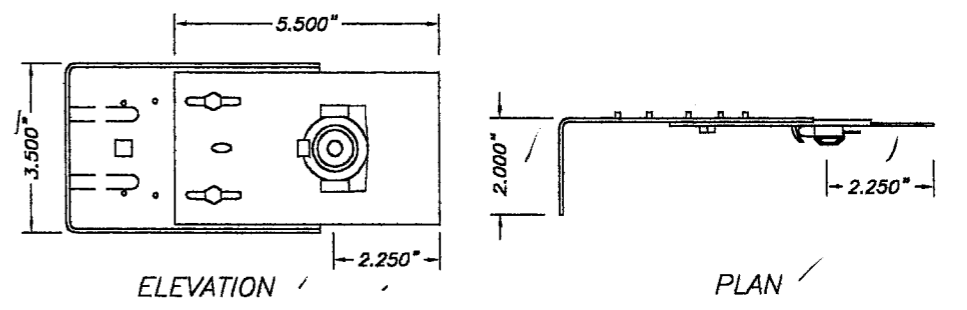


(Z) CEILING MOUNT HOUSING
SCALE: 3/16" = 1"
3105-H14 ALUMINUM ALLOY
THICKNESS: .032"

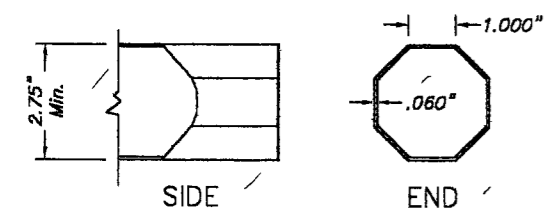


BRACKET DETAIL 1A

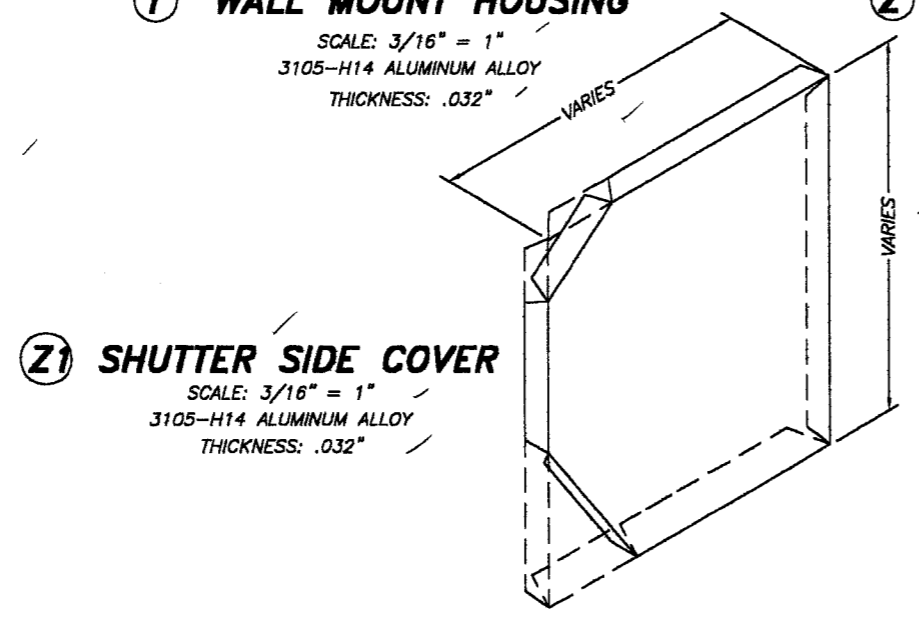
BRACKET DETAIL 2



(X) SIDE BRACKET SCALE: 1/4" = 1"
1010 ELITE ROLLED STEEL F. E.
P. O. 1 Z 200 DESIGNATION
F_{tu} = 410 NW/MM² % OF STRETCH
MINIMAL ON TEST. BAR OF 80 MM: 24 %
G-90 GALVANIZED COATING Thk.: .080"



(W) DRUM SCALE: 1/4" = 1"
1010 ELITE ROLLED STEEL F. E.
P. O. 1 Z 200 DESIGNATION
F_{tu} = 410 NW/MM² % OF STRETCH
MINIMAL ON TEST. BAR OF 80 MM: 24 %
G-90 GALVANIZED COATING Thk.: .080"



(Z1) SHUTTER SIDE COVER
SCALE: 3/16" = 1"
3105-H14 ALUMINUM ALLOY
THICKNESS: .032"

END BRACKET SYSTEM

* SEE NOTE 11 ON SHEET 1 OF 12

PRODUCT REVISED
to comply with the Florida
Building Code
Amendment 06-0124/11
02/19/11
Michael J. Tillit, P.E.
Division

F.B.C. (High Velocity Hurricane Zone)

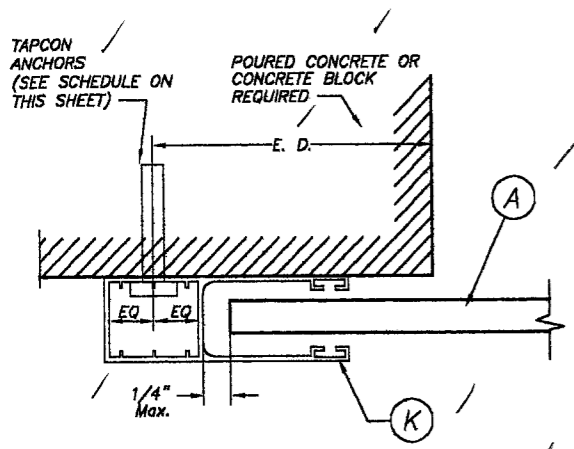
TILTECO INC.
TILLIT TESTING & ENGINEERING COMPANY
8355 N.W. 38th St., Ste. 305 - VIRGINIA GARDENS, FL 33188
Phone: (305)871-1530 Fax: (305)871-1531
EB-0006719
WALTER A. TILLIT Jr., P. E.
FLORIDA Lic. # 44167

ASSA/40mm BERTHA ROLL-UP
ALUTECH UNITED, INC.
(ASSA # 68)
15 DIXON STREET
SELBYVILLE, DE 19975
PH: 302-854-9100, FAX: 302-436-5100

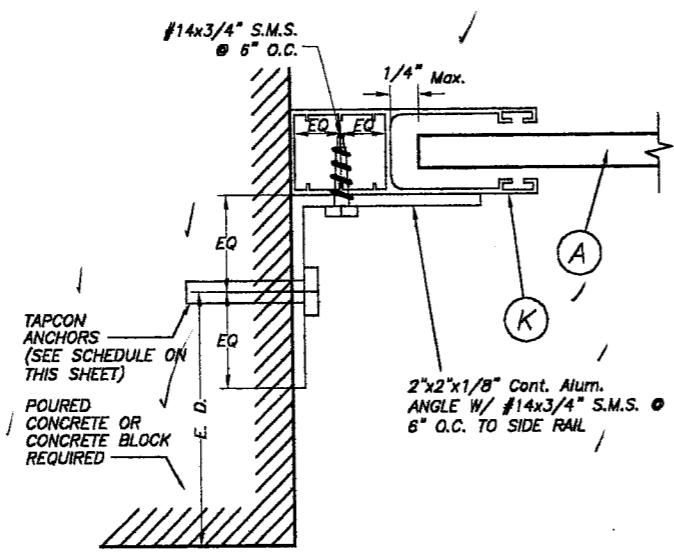
REV. No	DESCRIPTION	DATE	REV. No	DESCRIPTION	DATE
1	OLD 02-525	8/1/05	3		
2			4		

DRAWN BY:
J.J.V.
DATE
8/1/05
05-192
DRAWING No
SHEET 3 OF 12

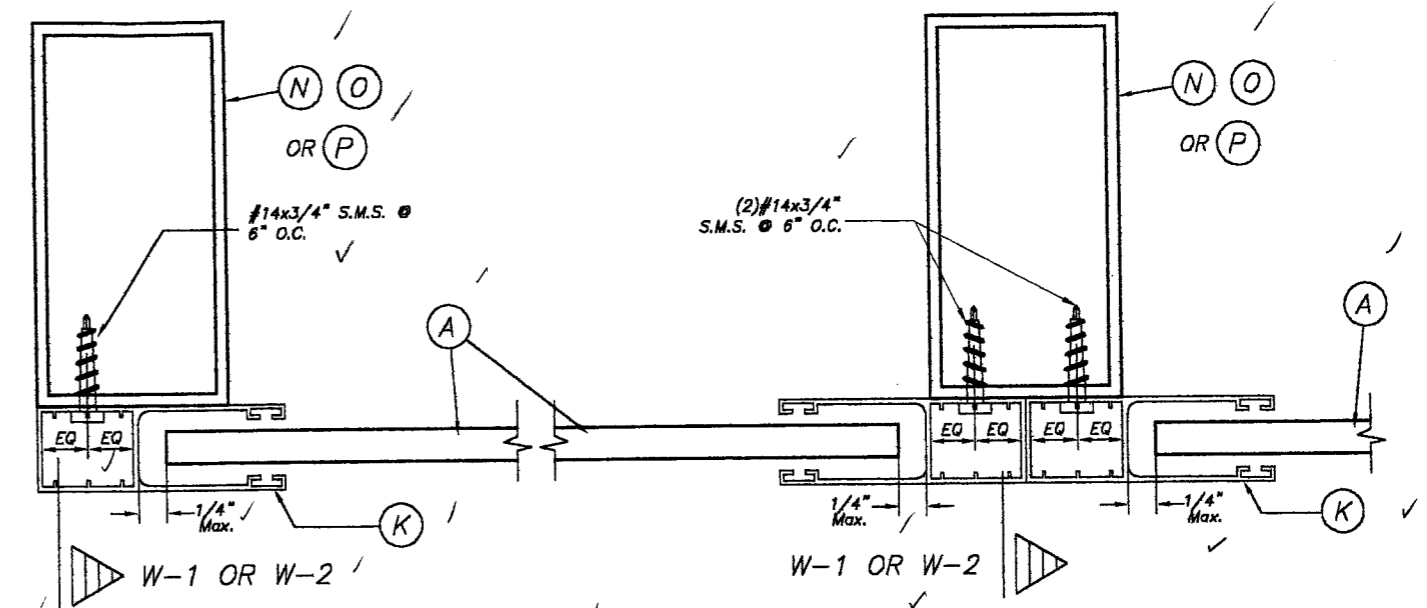
AUG 23 2005



SECTION P - P (1) : WALL MOUNT
SCALE: 1/2" = 1"



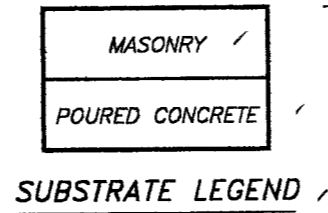
SECTION P - P (2) : INSIDE MOUNT
SCALE: 1/2" = 1"



SECTION Q - Q : MULLION MOUNT (FACE MOUNT) SCALE: 1/2" = 1"
SECTION R - R : MULLION MOUNT (FACE MOUNT) SCALE: 1/2" = 1"

SIDE RAIL ANCHOR SCHEDULE

MAXIMUM DESIGN PRESSURE RATING "W" (p. s. f.) AND CORRESPONDING MAXIMUM ANCHOR SPACING(in)* FOR SIDE RAILS (K) CONNECTION TO POURED CONCRETE OR MASONRY WALL

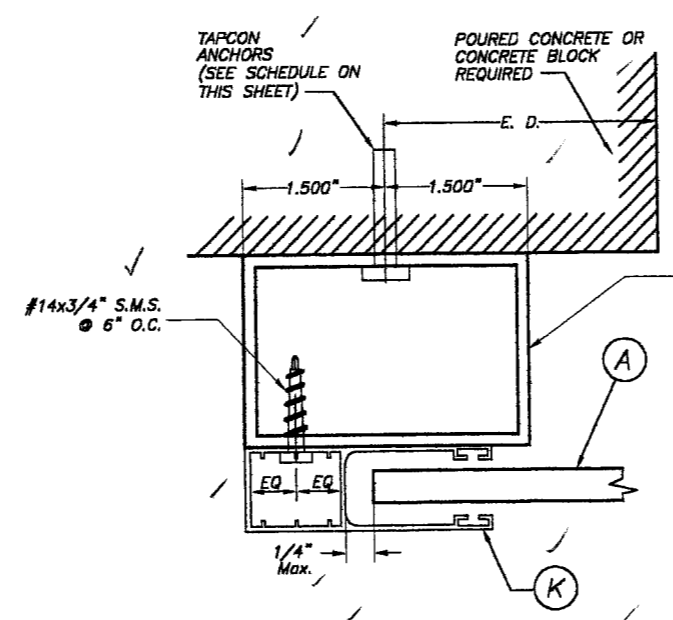


MAXIMUM DESIGN LOAD "W" (p.s.f.)	SIDE RAIL (K)		
	WALL MOUNT	INSIDE MOUNT	BUILD-OUT MOUNT
80.0 OR LESS	6"	6"	6"
	6"	6"	6"
>80.0 TO 100.0	5"	5"	6"
	6"	6"	6"

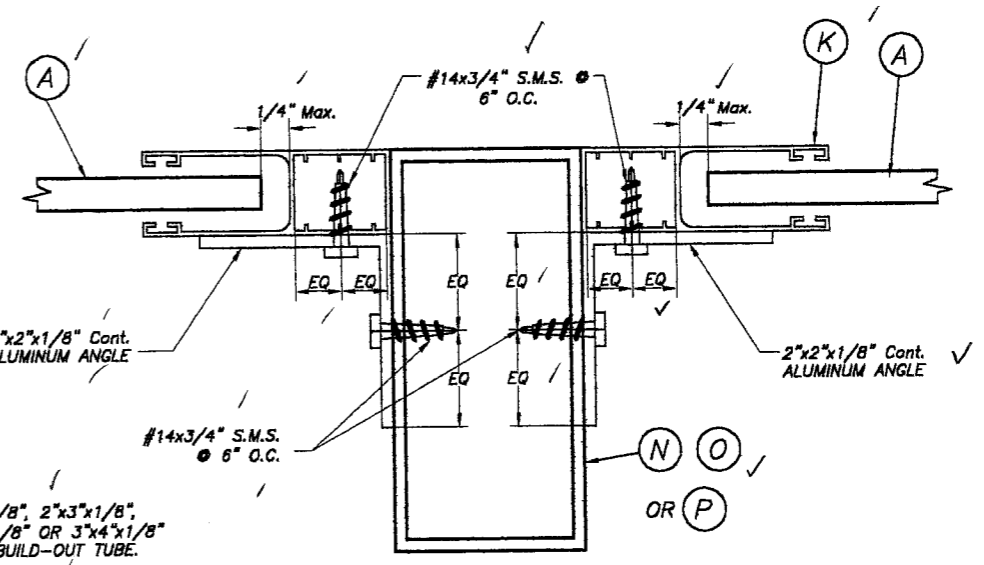
* MAXIMUM ANCHOR SPACING (in.) AT SIDE RAILS VERSUS EDGE DISTANCE = E. D.

MAXIMUM SIDE RAIL ANCHOR SPACING ARE VALID FOR 3 1/2" EDGE DISTANCE. FOR E. D. LESS THAN 3 1/2", REDUCE ANCHOR SPACING BY MULTIPLYING SPACING SHOWN ON SCHEDULE BY THE FOLLOWING FACTORS (REDUCED SPACING OBTAINED USING FACTORS SHALL NOT BE LESS THAN 3"):

ACTUAL E. D.	FACTOR
3"	.86
2 1/2"	.75
2"	.50



SECTION P - P (3) : BUILD-OUT MOUNT
SCALE: 1/2" = 1"



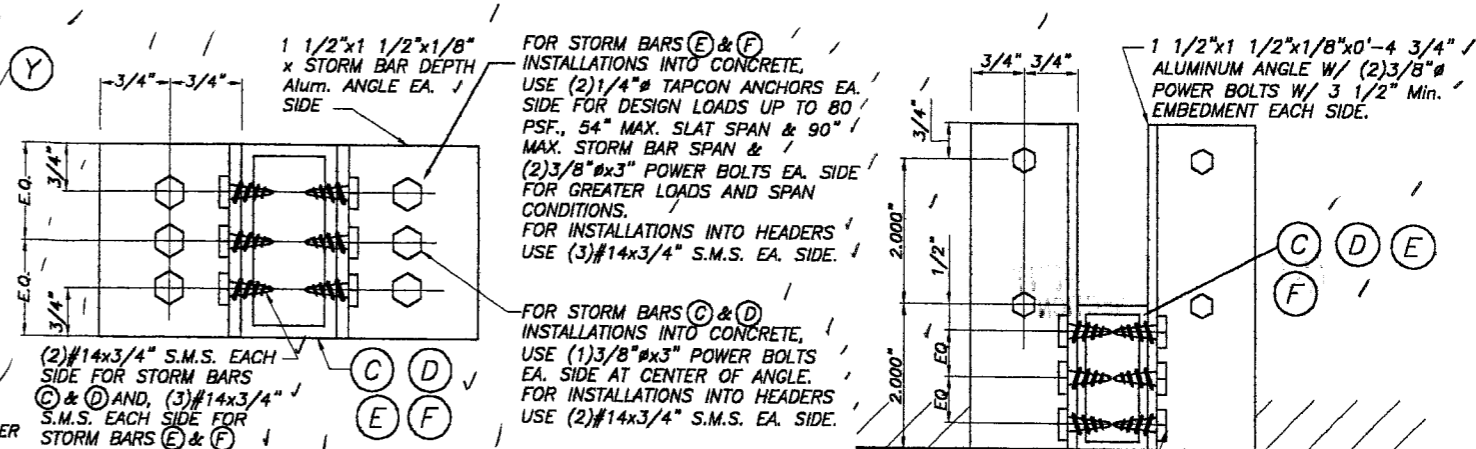
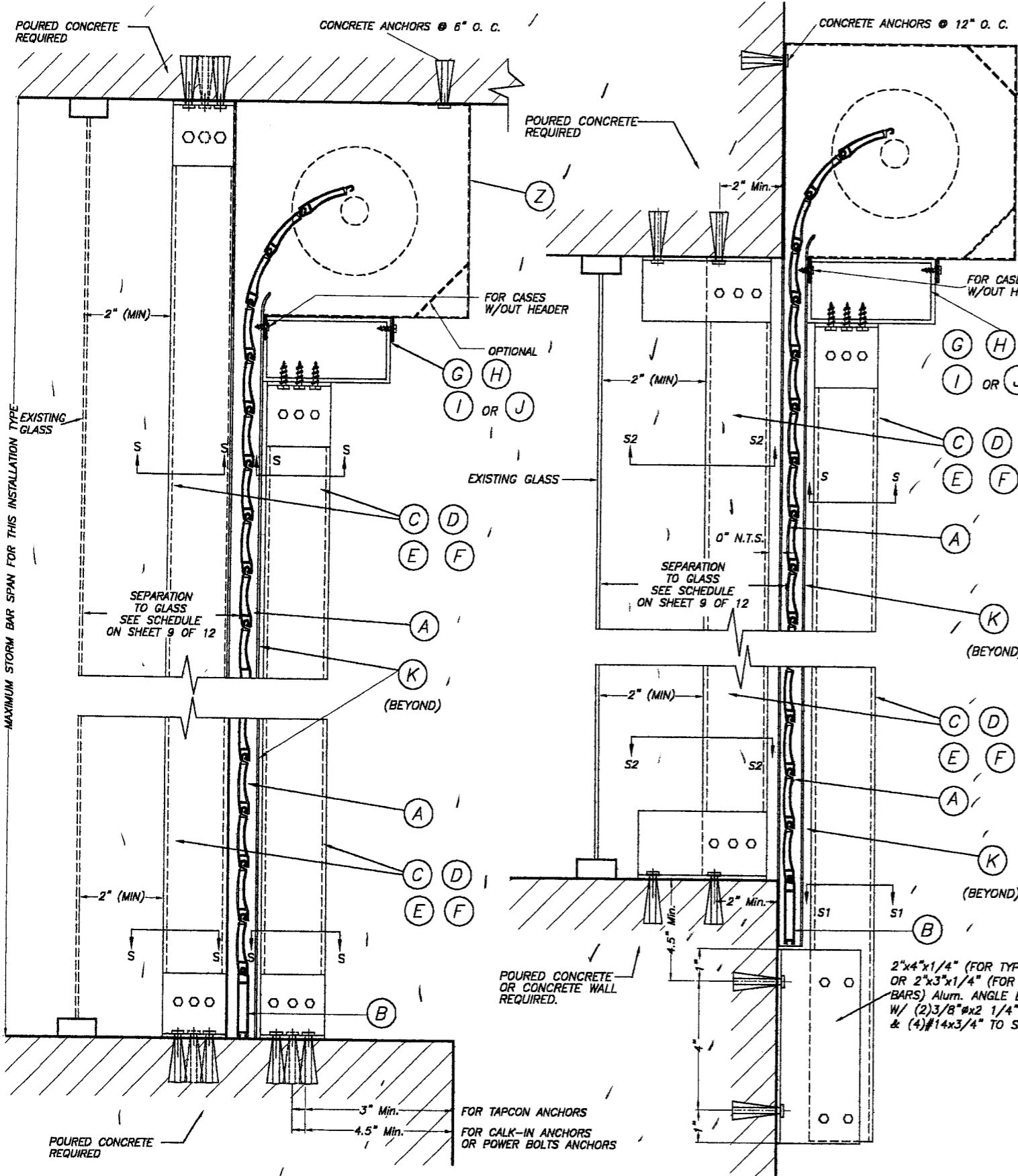
SECTION R - R : MULLION MOUNT (INSIDE MOUNT)
SCALE: 1/2" = 1"

PRODUCT REVIEWED
06-0124.11
02/14/11

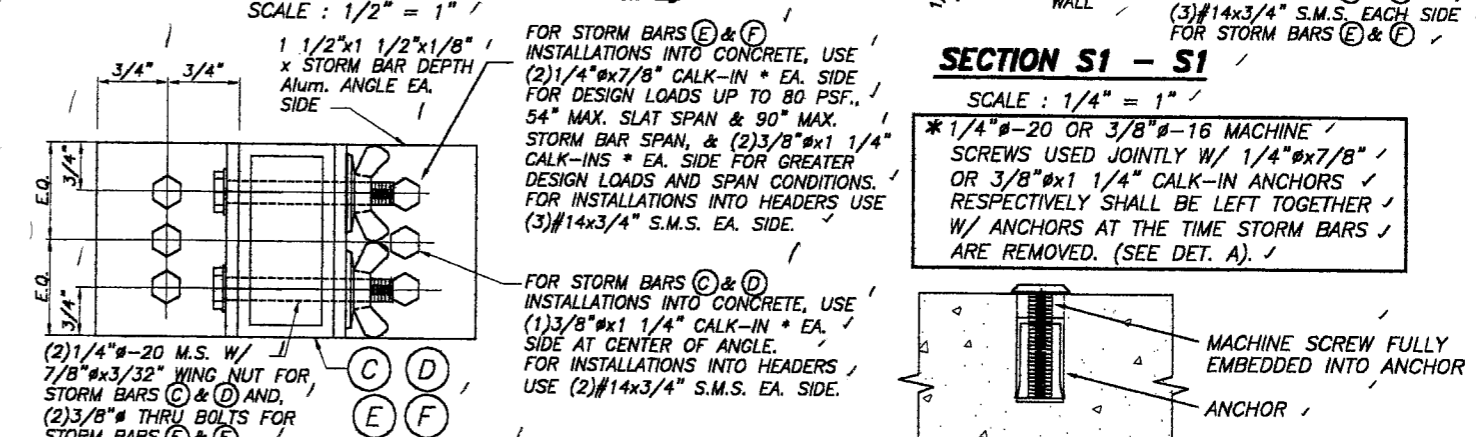
F.B.C. (High Velocity Hurricane Zone)

AUG 23 2005

 TILECO INC. TILLIT TESTING & ENGINEERING COMPANY 8355 N.W. 36th St., Ste. 305 - VIRGINIA GARDENS, FL 33168 Phone: (305)871-1530 Fax: (305)871-1531 EB-0006719 WALTER A. TILLIT JR., P. E. FLORIDA Lic. # 44167	ASSA/40mm BERTHA ROLL-UP ALUTECH UNITED, INC. (ASSA # 68) 15 DIXON STREET SELBYVILLE, DE 19975 PH: 302-854-9100, FAX: 302-436-5100	DRAWN BY: J.J.V. 8/1/05 DATE 05-192 DRAWING No SHEET 4 OF 12																		
	<table border="1"> <thead> <tr> <th>REV. No</th> <th>DESCRIPTION</th> <th>DATE</th> <th>REV. No</th> <th>DESCRIPTION</th> <th>DATE</th> </tr> </thead> <tbody> <tr> <td>1</td> <td>OLD 02-525</td> <td>8/1/05</td> <td>3</td> <td></td> <td></td> </tr> <tr> <td>2</td> <td></td> <td></td> <td>4</td> <td></td> <td></td> </tr> </tbody> </table>	REV. No	DESCRIPTION	DATE	REV. No	DESCRIPTION	DATE	1	OLD 02-525	8/1/05	3			2			4			
REV. No	DESCRIPTION	DATE	REV. No	DESCRIPTION	DATE															
1	OLD 02-525	8/1/05	3																	
2			4																	



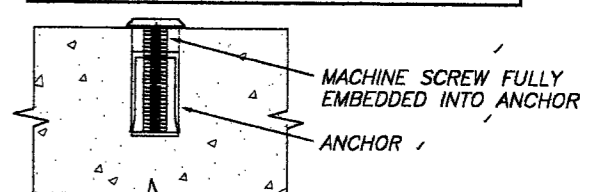
SECTION S - S (FOR FIXED STORM BAR)
SCALE: 1/2" = 1"



SECTION S - S (FOR REMOVABLE STORM BAR)
SCALE: 1/2" = 1"

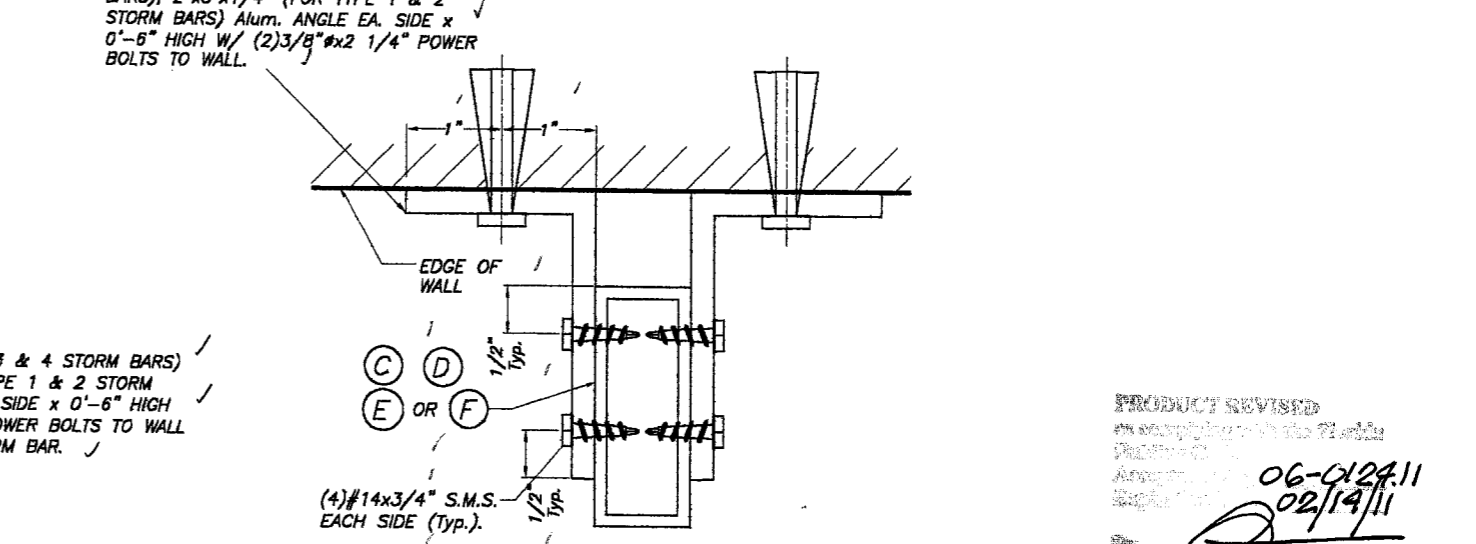
SECTION S1 - S1
SCALE: 1/4" = 1"

* 1/4\"/>



DETAIL A
SCALE: 1/2" = 1"

2"x4"x1/4" (FOR TYPE 3 & 4 STORM BARS), 2"x3"x1/4" (FOR TYPE 1 & 2 STORM BARS) Alum. ANGLE EA. SIDE x 0'-6" HIGH W/ (2) 3/8"x2 1/4" POWER BOLTS TO WALL & (4) #14x3/4" TO STORM BAR.



SECTION S1 - S1
SCALE: 1/2" = 1"

PRODUCT REVISED
 06-0124.11
 02/14/11

CEILING & FLOOR MOUNTING: SECTION V-V (2) INSTALLATION W/ FIXED OR REMOVABLE STORM BARS W/ CONCRETE ANCHORS
 (SEE SECTION "S" FOR ANCHOR TYPE REQUIREMENT)
 SCALE: N.T.S.

WALL MOUNTING: SECTION V-V (1) INSTALLATION W/ FIXED STORM BARS W/ CONCRETE ANCHORS
 SCALE: N.T.S.

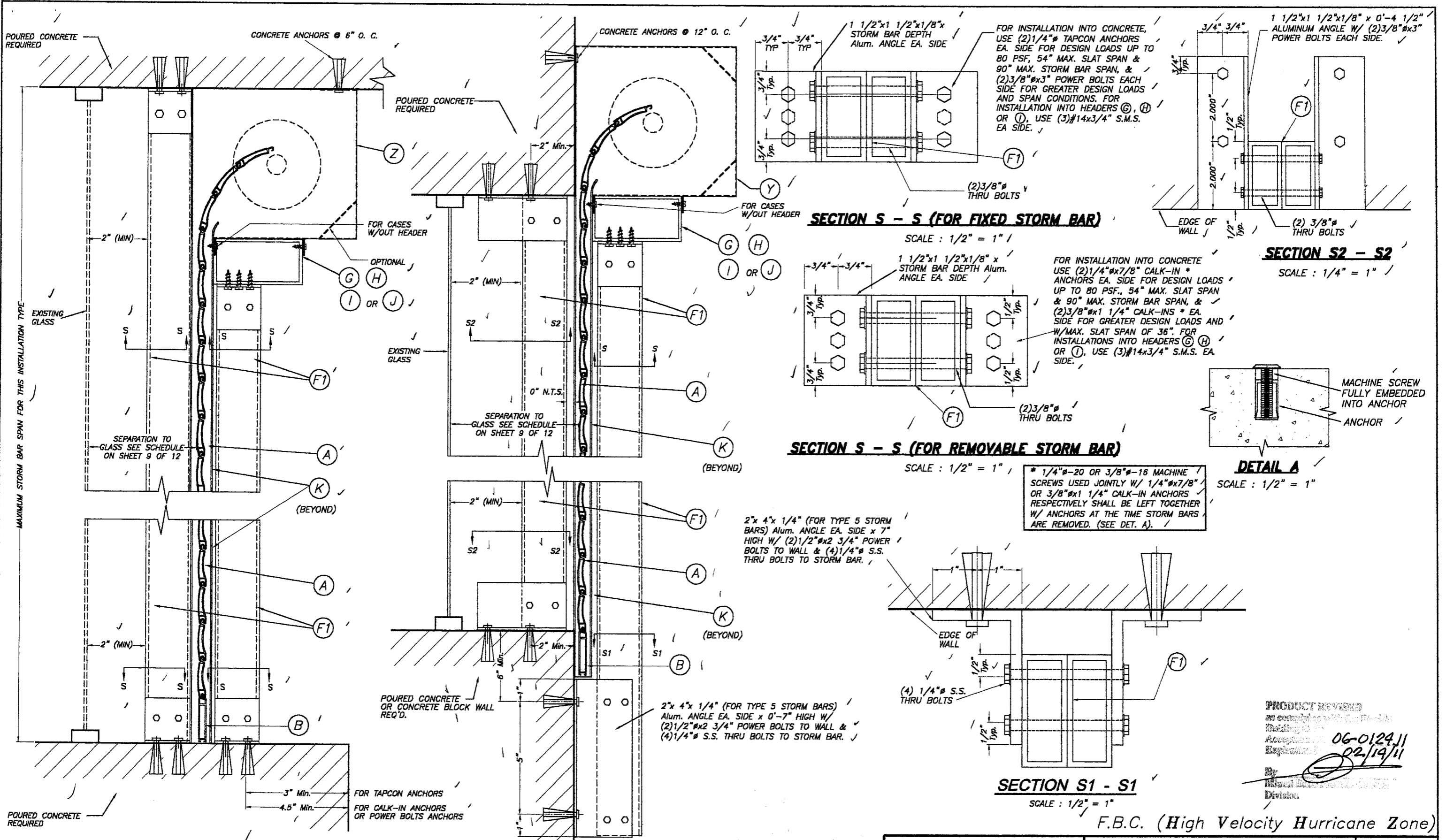
SECTION V - V

SINGLE SPAN SECTIONS AND DETAILS ARE SIMILAR TO ABOVE SHOWN WITHOUT STORM BAR & HEADERS.

AUG 23 2005

F.B.C. (High Velocity Hurricane Zone)

TILECO INC. TILLIT TESTING & ENGINEERING COMPANY 6355 N.W. 36th St., Ste. 305 - VIRGINIA GARDENS, FL 33168 Phone: (305)871-7830 Fax: (305)871-1531 EB-0006719 WALTER A. TILLIT JR., P. E. FLORIDA Lic. # 44167		ALUTECH UNITED, INC. (ASSA # 68) 15 DIXON STREET SELBYVILLE, DE 19975 PH: 302-854-9100, FAX: 302-436-5100		DRAWN BY: J.J.V. 8/1/05 DATE 05-192 DRAWING No SHEET 5 OF 12	
REV. No	DESCRIPTION	DATE	REV. No	DESCRIPTION	DATE
1	OLD 02-525	8/1/05	3		
2			4		



* 1/4"-20 OR 3/8"-16 MACHINE SCREWS USED JOINTLY W/ 1/4"x7/8" OR 3/8"x1 1/4" CALK-IN ANCHORS RESPECTIVELY SHALL BE LEFT TOGETHER W/ ANCHORS AT THE TIME STORM BARS ARE REMOVED. (SEE DET. A).

PRODUCT REVIEWED
 as compliance with the Florida Building Code
 Acceptance 06-0124/11
 02/19/11
 By: [Signature]
 Division:

F.B.C. (High Velocity Hurricane Zone)

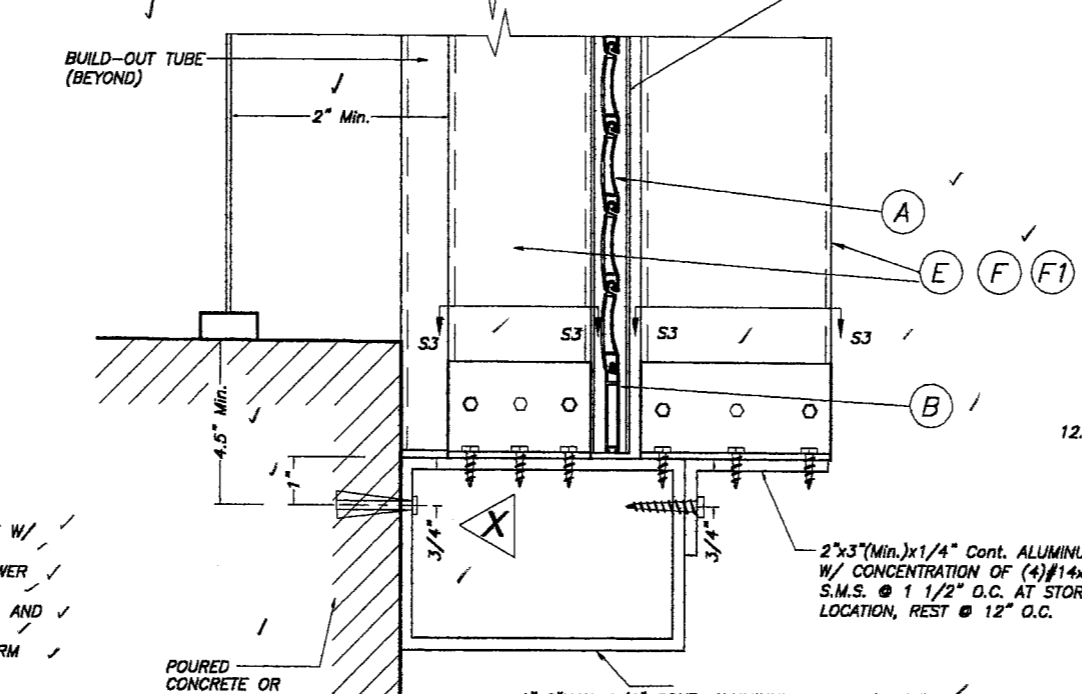
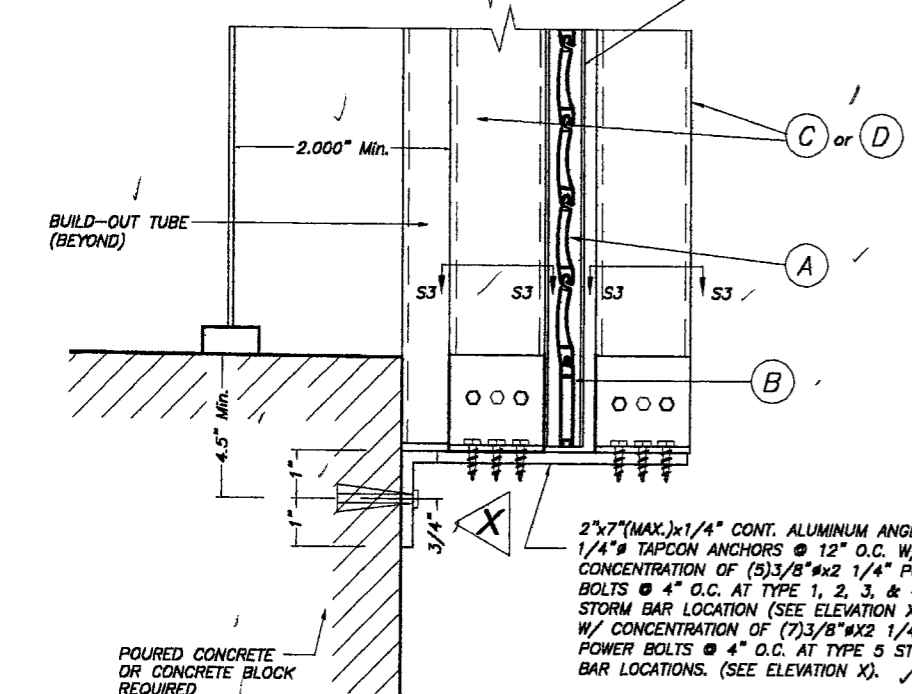
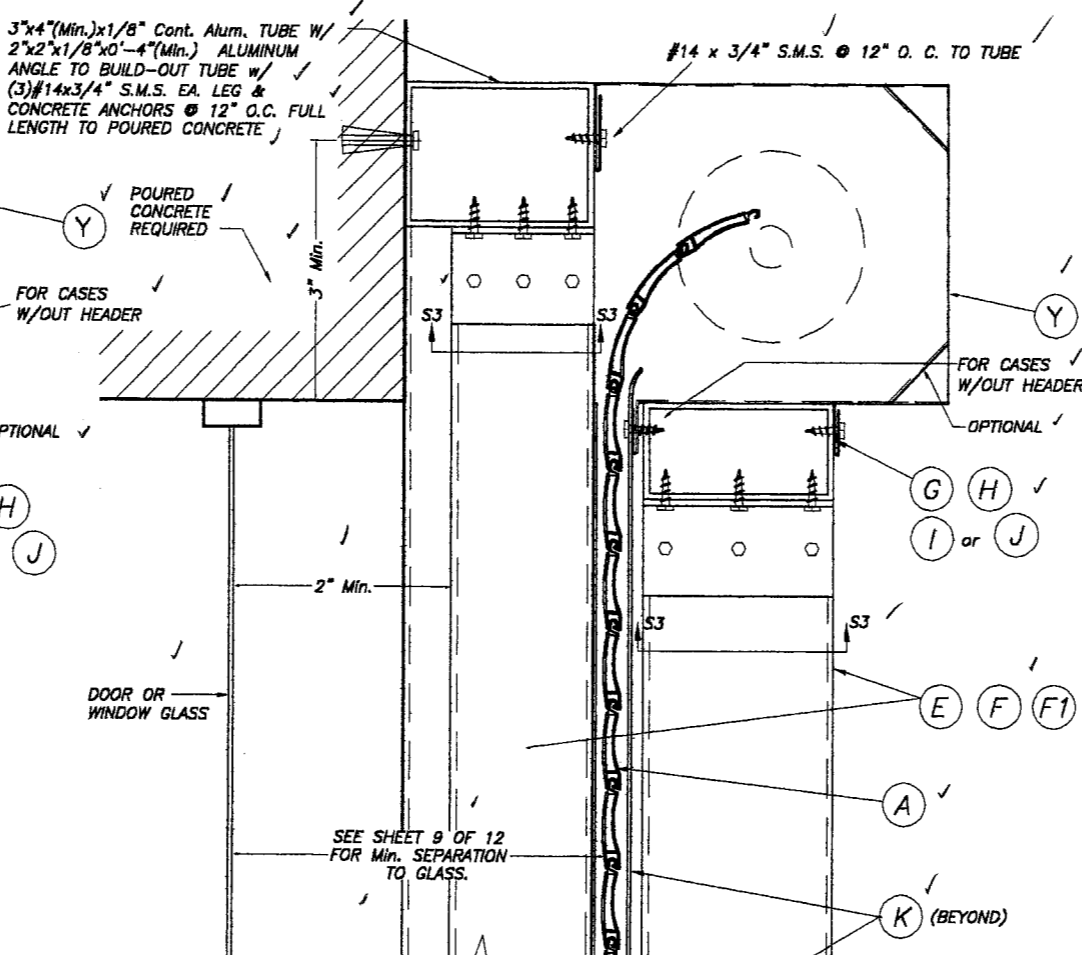
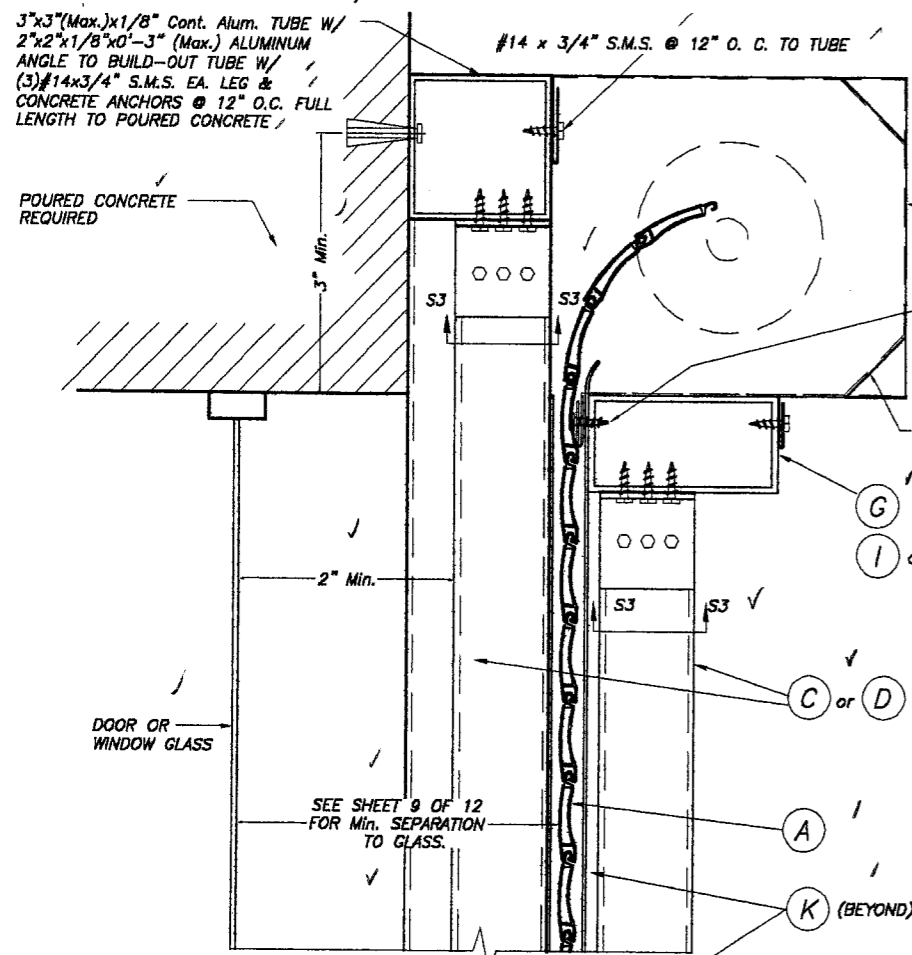
TILECO inc.
 TILLIT TESTING & ENGINEERING COMPANY
 6355 N.W. 36th St., Ste. 305 - VIRGINIA GARDENS, FL 33168
 Phone: (305)871-1530 Fax: (305)871-1531
 EB-0005719
 WALTER A. TILLIT Jr., P. E.
 FLORIDA Lic. # 44167

ASSA/40mm BERTHA ROLL-UP
ALUTECH UNITED, INC.
 (ASSA # 68)
 15 DIXON STREET
 SELBYVILLE, DE 19975
 PH: 302-854-9100, FAX: 302-436-5100

REV. No	DESCRIPTION	DATE	REV. No	DESCRIPTION	DATE
1	OLD 02-525	8/1/05	3		
2			4		

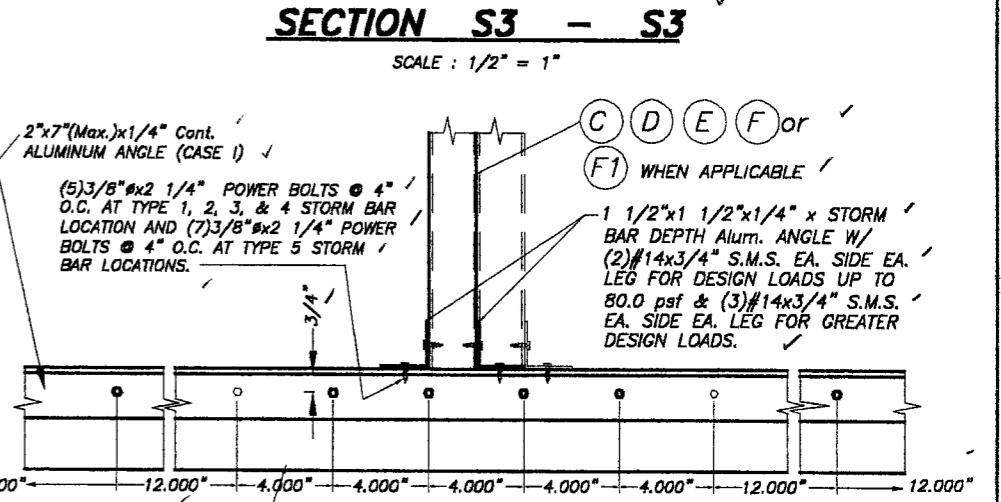
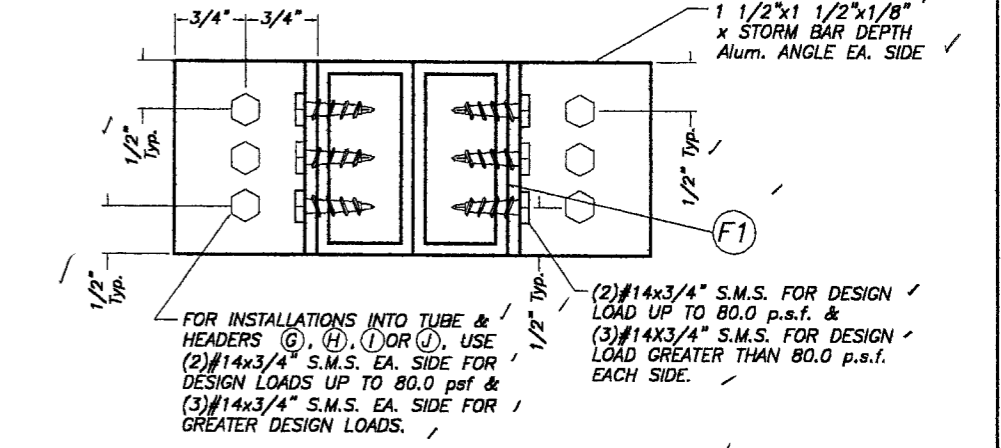
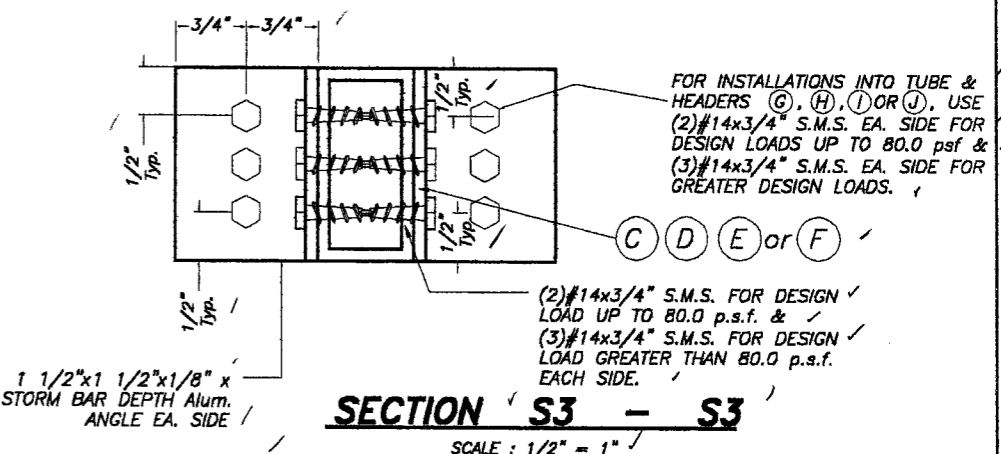
DRAWN BY:
J.J.V.
 8/1/05
 DATE
 05-192
 DRAWING No
 SHEET 5A OF 12

AUG 23 2005



CASE I
FIXED STORM BAR CONNECTION AT BUILD-OUT INSTALLATIONS W/SHEET METAL SCREWS
 SCALE: 1/4" = 1"

CASE II
FIXED STORM BAR CONNECTION AT BUILD-OUT INSTALLATIONS W/SHEET METAL SCREWS
 SCALE: 1/4" = 1"



NOTE:
 SINGLE SPAN SECTIONS AND DETAILS ARE SIMILAR TO ABOVE SHOWN WITHOUT STORM BAR & HEADERS.

SECTION V - V

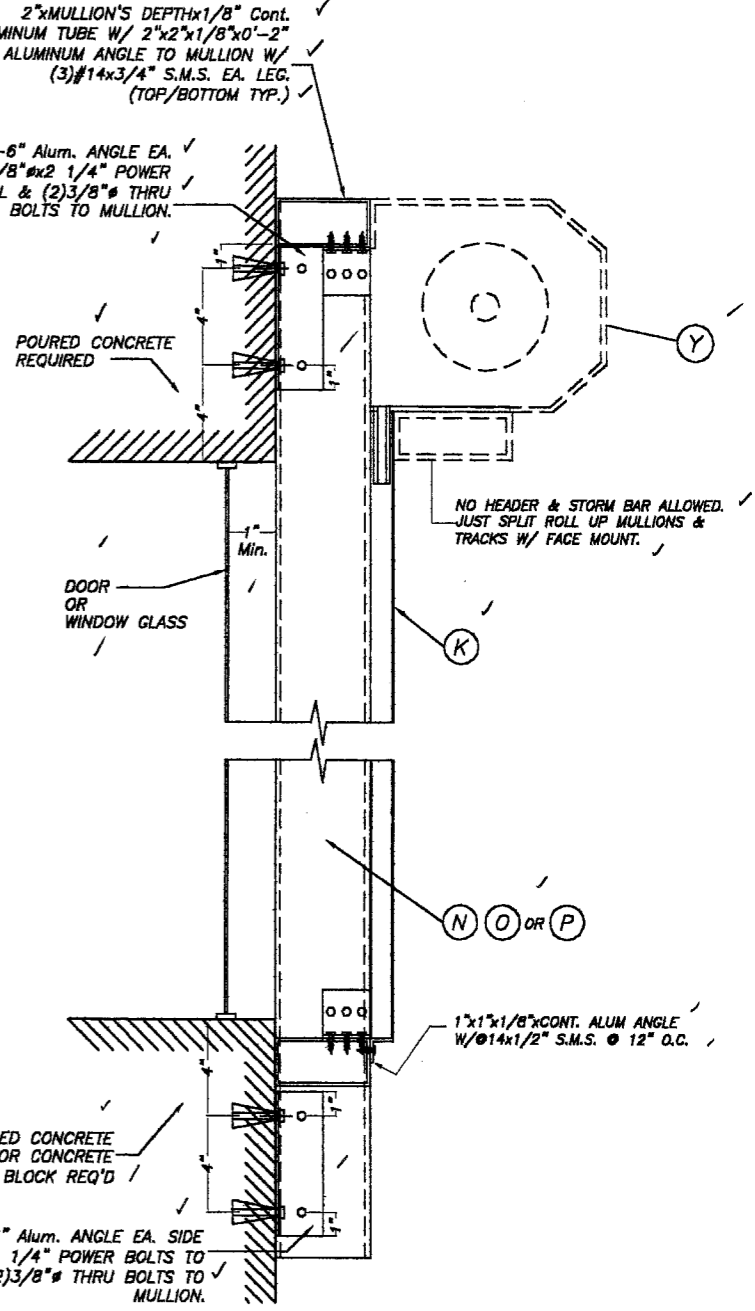
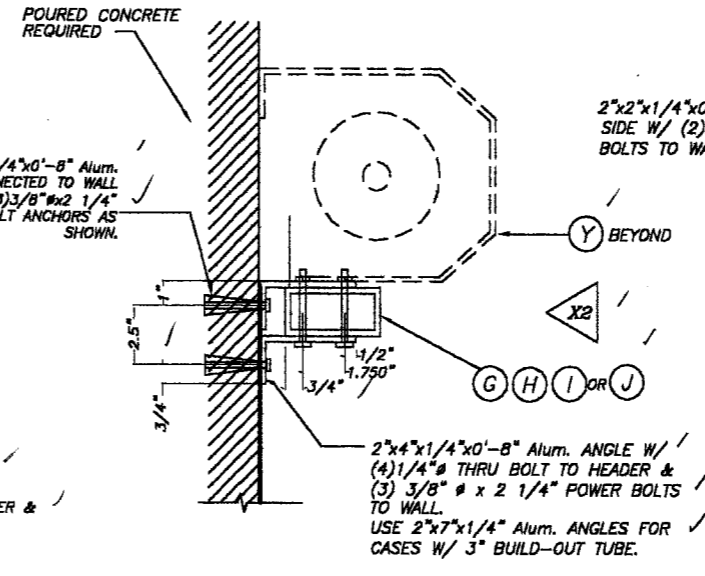
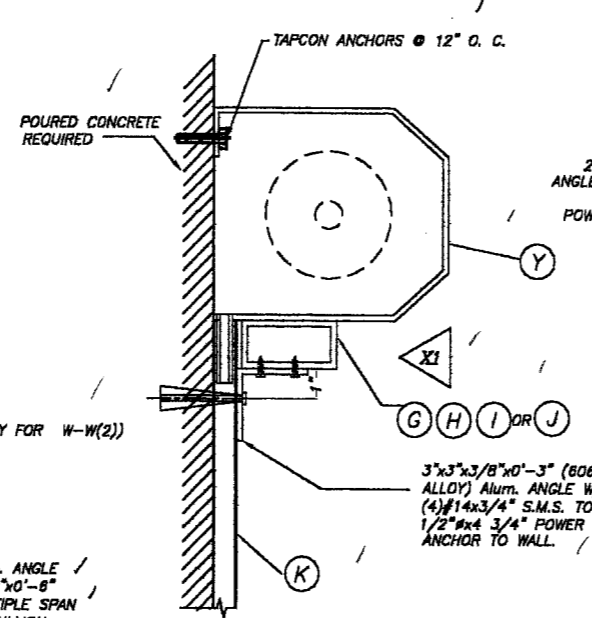
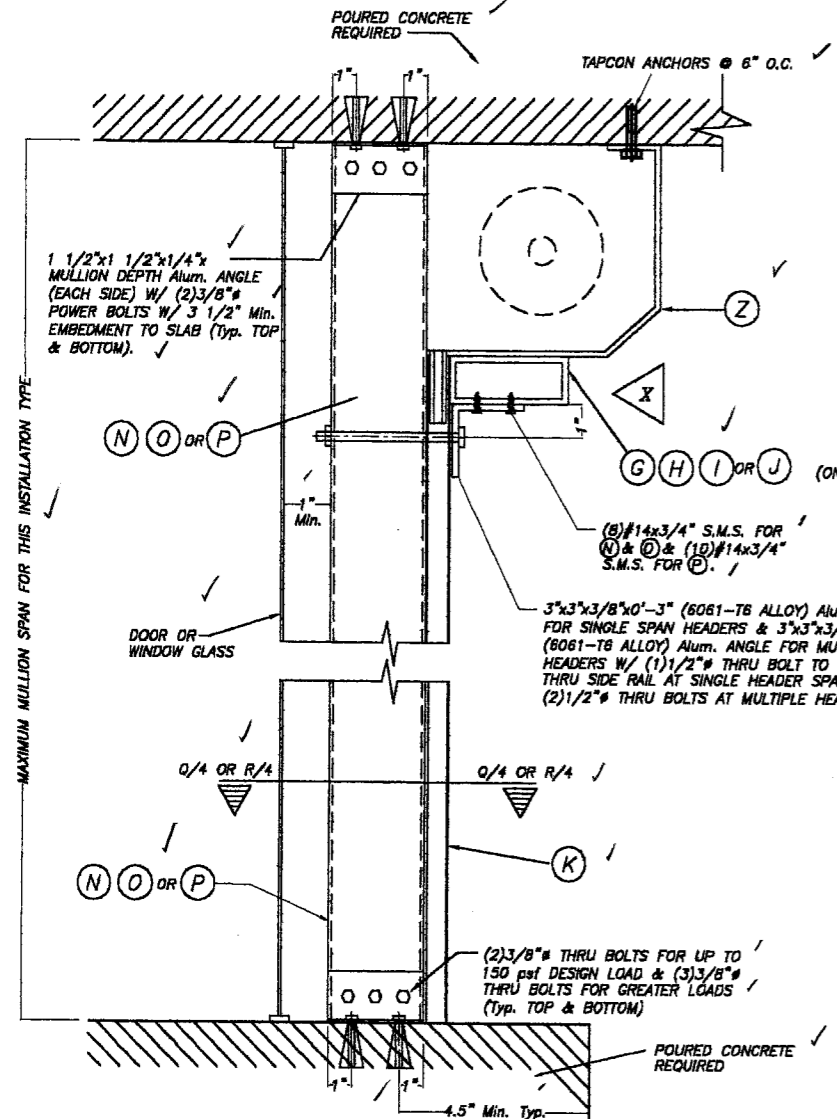
AUG 23 2005

TILECO INC.
 TILLIT TESTING & ENGINEERING COMPANY
 6355 N.W. 36th St., Ste. 305 - VIRGINIA GARDENS, FL 33166
 Phone: (305)871-1530, Fax: (305)871-1531
 EB-0006719
 WALTER A. TILLIT Jr., P. E.
 FLORIDA Lic. # 44167

F.B.C. (High Velocity Hurricane Zone)

ASSA/40mm BERTHA ROLL-UP		DRAWN BY: J.J.V.	
ALUTECH UNITED, INC. (ASSA # 68)		8/1/05 DATE	
15 DIXON STREET SELBYVILLE, DE 19975 PH: 302-854-8100, FAX: 302-436-5100		05-192 DRAWING No	
REV. No	DESCRIPTION	DATE	REV. No
1	OLD 02-325	8/1/05	3
2			4
			SHEET 6 OF 12

PRODUCT DESIGNER
 ASSA/40mm BERTHA ROLL-UP
 06-0124.11
 02/14/11
 Division

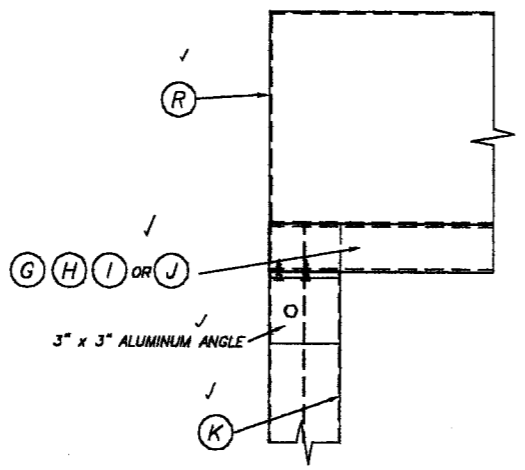


ALTERNATIVE: #1
WALL MOUNTING: SECTION W-W(3)
 SCALE: 1/8" = 1"

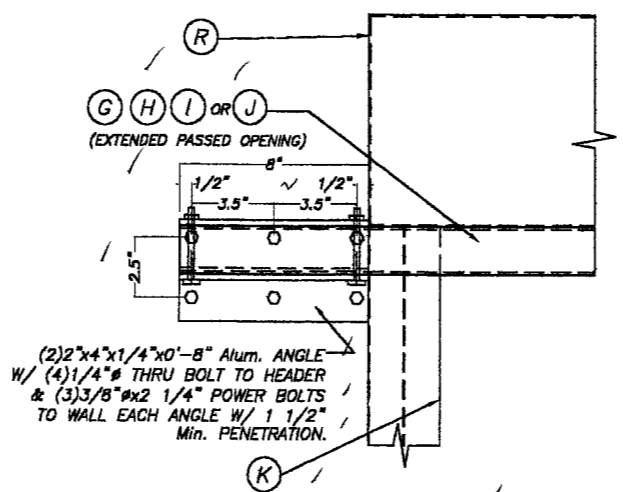
ALTERNATIVE: #2
WALL MOUNTING: SECTION W-W(3)
 SCALE: 1/8" = 1"

NOTE:
 THIS INSTALLATION IS ONLY VALID FOR STORM BARS WITH MAX. SPAN = 7'-0", HEADERS CON 12'-0" MAX. SINGLE SPAN & 80 psf. MAXIMUM DESIGN LOAD, OR STORM BARS WITH MAX. SPAN = 6'-0", HEADERS WITH 15'-0" SINGLE 80 psf. MAXIMUM DESIGN LOAD.

FLOOR/CEILING MOUNTING:
SECTION W-W(1), W/O HEADER
SECTION W-W(2), W/HEADER
 SCALE: 1/8" = 1"



ELEVATION X1
 SCALE: 1/8" = 1"



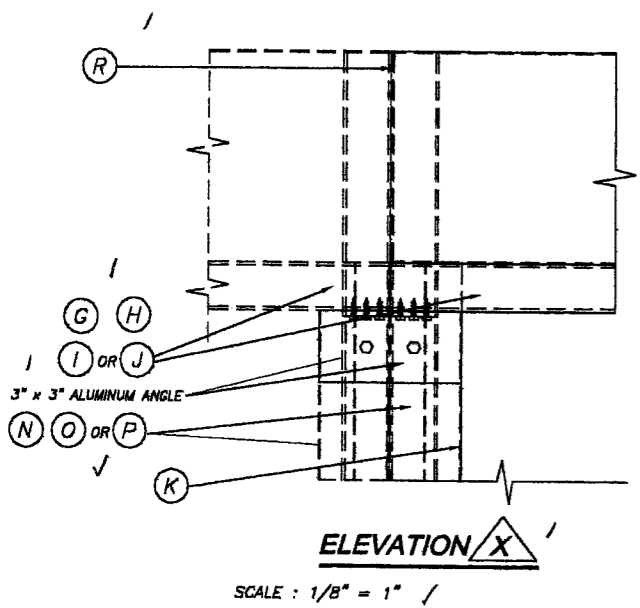
ELEVATION X2
 SCALE: 1/8" = 1"

TYPICAL HEADER CONNECTION AT ENDS:
SECTIONS W-W

WALL MOUNTING: MULLION CONNECTION
AT TOP & BOTTOM: SECTION W-W(1)
 SCALE: 1/8" = 1"

PRODUCT REVISED
 as complying with the Florida
 Building Code
 Accidents: 06-0124.11
 Exploded: 02/14/11
 By: [Signature]
 Division

F.B.C. (High Velocity Hurricane Zone)



ELEVATION X
 SCALE: 1/8" = 1"

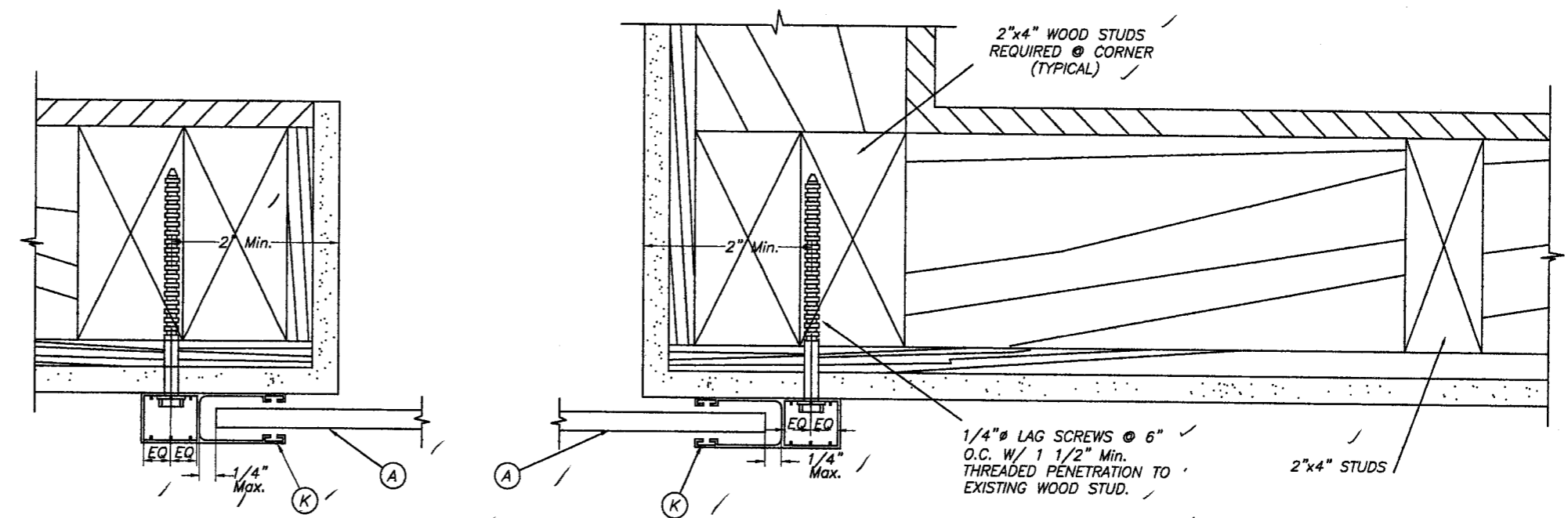
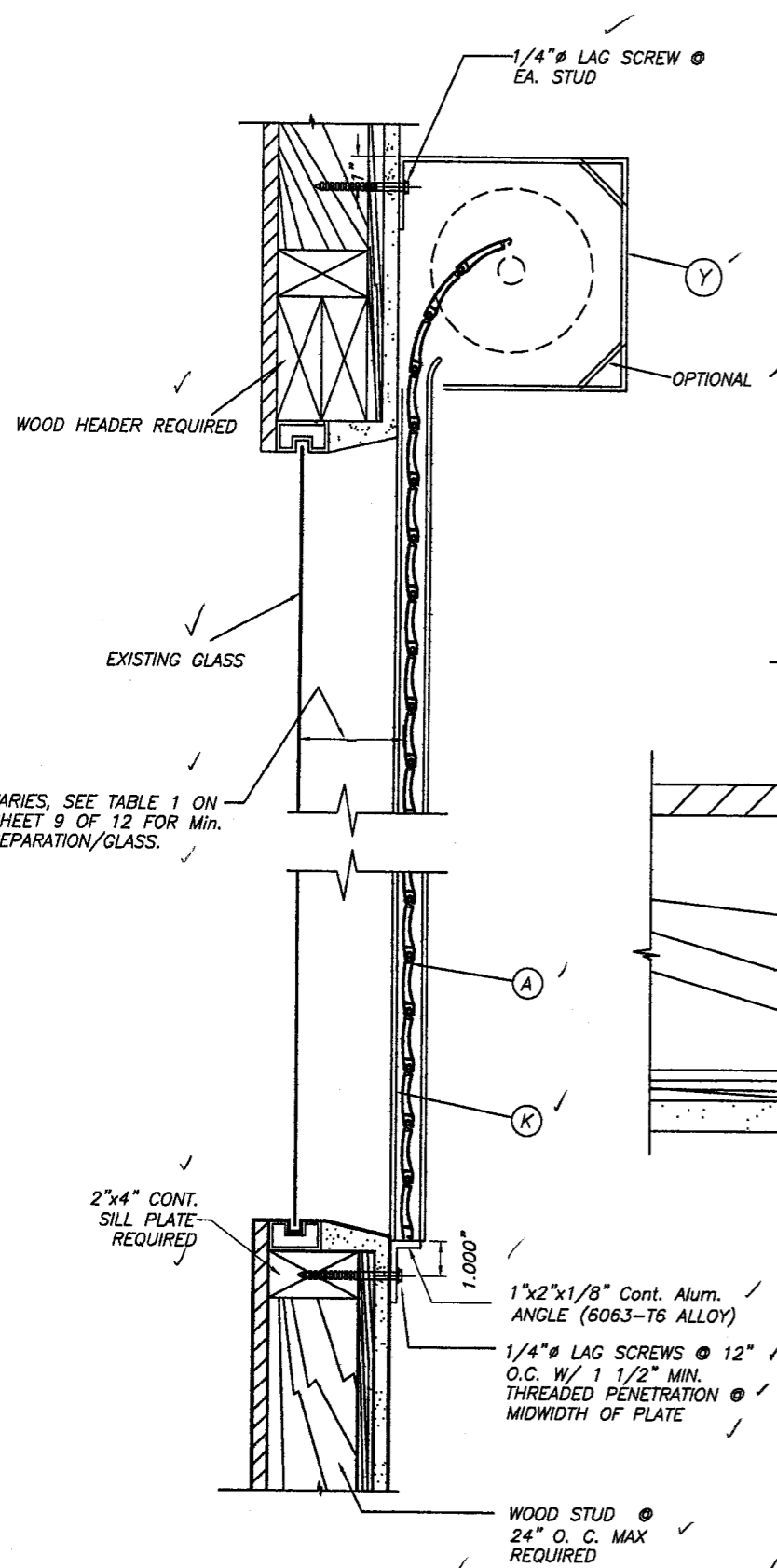
TILECO INC.
 TILLIT TESTING & ENGINEERING COMPANY
 6365 N.W. 36th St., Ste. 305 - VIRGINIA GARDENS, FL 33168
 Phone: (305)871-1530 Fax: (305)871-1531
 EB-0006719
 WALTER A. TILLIT Jr., P. E.
 FLORIDA Lic. # 44167

ALUTECH UNITED, INC.
 (ASSA # 68)
 15 DIXON STREET
 SELBYVILLE, DE 19975
 PH: 302-854-9100, FAX: 302-436-5100

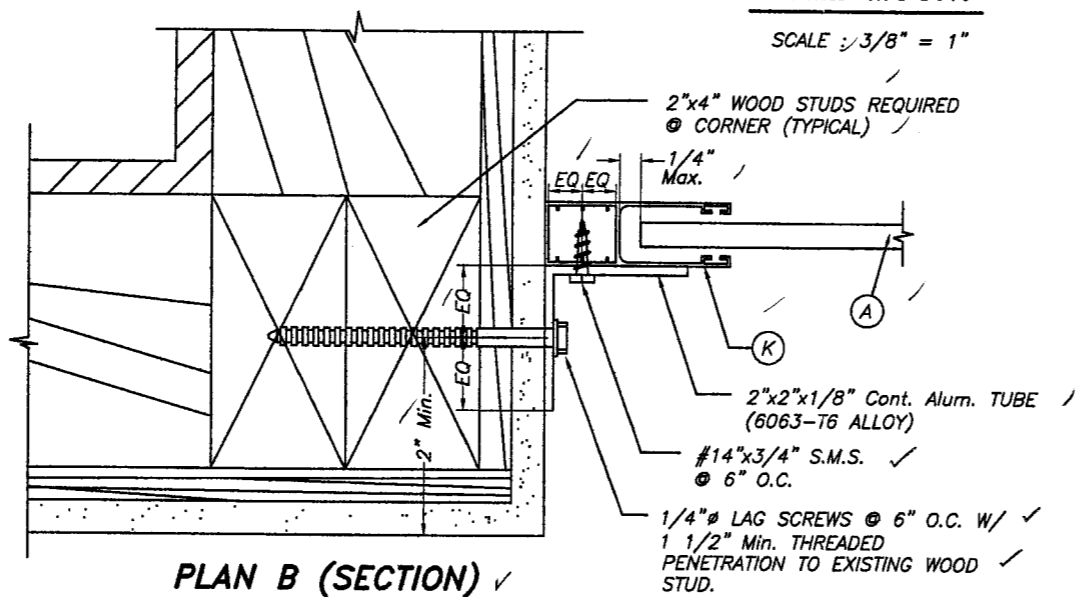
REV. No	DESCRIPTION	DATE	REV. No	DESCRIPTION	DATE
1	OLD 02-525	8/1/05	2		
2			4		

DRAWN BY:
 J.J.V.
 8/1/05
 DATE
 05-192
 DRAWING No
 SHEET 7 OF 12

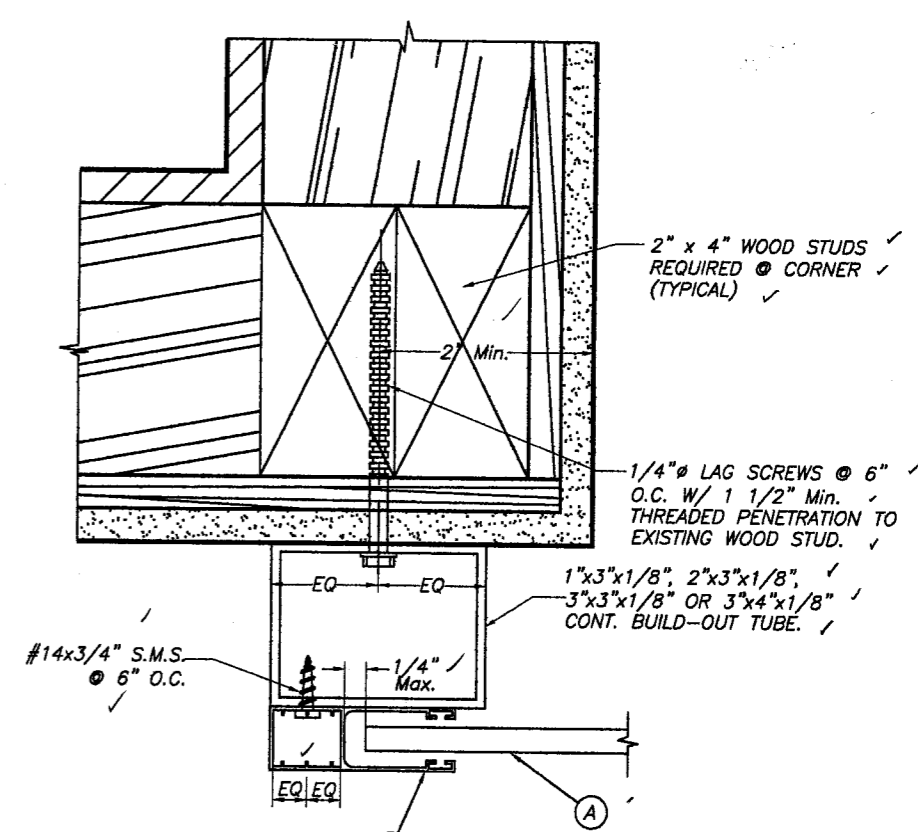
AUG 23 2005



PLAN A (SECTION)
WALL MOUNT
SCALE : 3/8" = 1"



PLAN B (SECTION)
INSIDE MOUNT
SCALE : 3/8" = 1"



PLAN C (SECTION)
BUILD-OUT
SCALE : 3/8" = 1"

- NOTES:**
1. INSTALLATIONS ARE ONLY VALID FOR BUILDINGS WITH DESIGN LOADS UP TO 75.0 psf.
 2. FOR NEW FRAME CONSTRUCTION: WOOD MEMBER TO BE SOUTHERN PINE No. 2 W/ SPECIFIC DENSITY OF 0.55 OR EQUAL.
 3. MINIMUM PENETRATION OF LAG SCREWS INTO WOOD MEMBER TO BE 1 1/2".
 4. THIS APPROVAL INCLUDES INTALLATION IN WOOD FOR SINGLE UNITS WITHOUT STORM BARS, MULLIONS & HEADERS AS SHOWN IN THIS SHEET.

WALL MOUNTING INSTALLATION
SINGLE SPAN CONDITION

N. T. S.

PRODUCT REVIEW
as compliance with
Building Code
Accepted
Explained
By: [Signature]
Division

06-0124/11
02/14/11

F.B.C. (High Velocity Hurricane Zone)

AUG 28 2005

TILECO INC.
TILLIT TESTING & ENGINEERING COMPANY
8355 N.W. 36th St., Ste. 305 - VIRGINIA GARDENS, FL 33166
Phone : (305)871-1530 . Fax : (305)871-1531
EB-0006719
WALTER A. TILLIT JR., P. E.
FLORIDA Lic. # 44167

ALUTECH UNITED, INC.
(ASSA # 68)
15 DIXON STREET
SELBYVILLE, DE 19975
PH: 302-854-9100, FAX: 302-436-5100

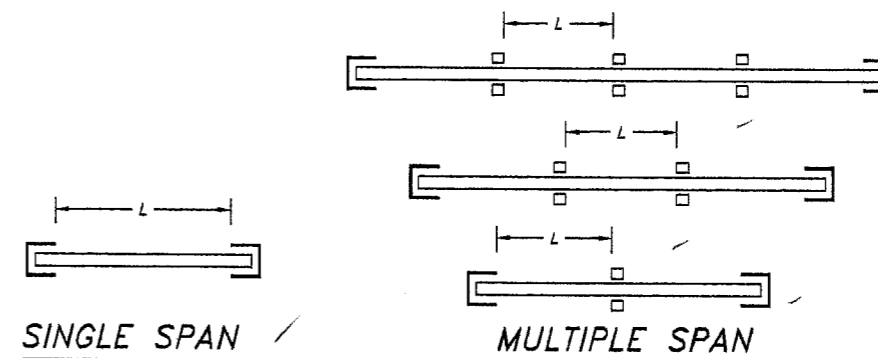
REV. No	DESCRIPTION	DATE	REV. No	DESCRIPTION	DATE
1	OLD 02-525	8/1/05	3		
2	NOTE 4	10/13/06	4		

DRAWN BY:
J.J.V./L.G.
8/1/05
DATE
05-192
DRAWING No
SHEET 8 OF 12

SLAT PERFORMANCE CHART
MAXIMUM DESIGN PRESSURE RATING "W" (p. s. f.)
AND CORRESPONDING MAXIMUM SLAT SPAN "L" FOR TYPE 1 SLAT

(USE MAXIMUM VALUES BETWEEN POSITIVE AND NEGATIVE LOAD)

Max. DESIGN LOAD "W" (p.s.f.)	SLAT TYPE	MINIMUM SEPARATION TO GLASS	
	MAXIMUM SLAT SPAN	SINGLE & MULTIPLE UNIT *	SINGLE & MULTIPLE UNIT ***
40.0	4'-2"	2 3/4"	2 3/4"
45.0	4'-0"	2 5/8"	2 5/8"
50.0	3'-11"	2 5/8"	2 5/8"
55.0	3'-9"	2 1/2"	2 1/2"
60.0	3'-8"	2 1/2"	2 1/2"
65.0	3'-6"	2 1/2"	2 1/2"
70.0	3'-5"	2 3/8"	2 3/8"
75.0	3'-3"	2 3/8"	2 3/8"
80.0	3'-2"	2 3/8"	2 3/8"
85.0	3'-1"	2 1/4"	2 1/4"
90.0	3'-0"	2 1/4"	2 1/4"
95.0	2'-11"	2 1/4"	2 1/4"
100.0	2'-10"	2 1/4"	2 1/4"



SPAN LAYOUT

- * SPANS VALID FOR EVERY INSTALLATION LOCATED AT ANY ELEVATION OF BUILDING MEASURED AT BOTTOM OF SHUTTER. MINIMUM SEPARATION TO GLASS FOR SINGLE AND MULTIPLE UNITS SHALL BE MEASURED FROM BACK OF SLAT TO GLASS.
- ** MINIMUM SEPARATION TO GLASS FOR SHUTTERS INSTALLED WITHIN THE FIRST 30'-0" ELEVATION OF BUILDING AND MAXIMUM SPAN. SEE TABLE 1 FOR Min. SEPARATION TO GLASS FOR SPANS LESS THAN THE Max. ALLOWED.
- *** MINIMUM SEPARATION TO GLASS FOR SHUTTERS INSTALLED ABOVE 30'-0" ELEVATION OF BUILDING, MEASURED AT BOTTOM OF SHUTTER.

TABLE 1:

SLAT SPAN (ft.)	MINIMUM SEPARATION TO GLASS
36" OR LESS	2 1/4"
> 36" TO 48"	2 5/8"
> 48" TO 50"	2 3/4"

PRODUCT REVIEWED
 as complete per drawing
 Building Code
 Approved
 Engineer
 06-0124-11
 02/14/11
 Division

F.B.C. (High Velocity Hurricane Zone)

AUG 23 2005

 TILTECO INC. TILLIT TESTING & ENGINEERING COMPANY 6355 N.W. 36th St., Ste. 305 - VIRGINIA GARDENS, FL 33166 Phone: (305)871-1530 Fax: (305)871-1531 EB-0006719 WALTER A. TILLIT Jr., P. E. FLORIDA Lic. # 44167	ASSA/40mm BERTHA ROLL-UP ALUTECH UNITED, INC. (ASSA # 68) 15 DIXON STREET SELBYVILLE, DE 19975 PH: 302-854-9100, FAX: 302-436-5100	DRAWN BY: J.J.V. 8/1/05 DATE 05-192 DRAWING No																	
	<table border="1"> <thead> <tr> <th>REV. No</th> <th>DESCRIPTION</th> <th>DATE</th> <th>REV. No</th> <th>DESCRIPTION</th> <th>DATE</th> </tr> </thead> <tbody> <tr> <td>1</td> <td>OLD 02-525</td> <td>8/1/05</td> <td>3</td> <td></td> <td></td> </tr> <tr> <td>2</td> <td></td> <td></td> <td>4</td> <td></td> <td></td> </tr> </tbody> </table>	REV. No	DESCRIPTION	DATE	REV. No	DESCRIPTION	DATE	1	OLD 02-525	8/1/05	3			2			4		
REV. No	DESCRIPTION	DATE	REV. No	DESCRIPTION	DATE														
1	OLD 02-525	8/1/05	3																
2			4																

STORM BAR LOADING CHART
MAXIMUM DESIGN PRESSURE RATING "W" (p. s. f.) AND CORRESPONDING MAXIMUM SPAN "L" FOR
A GIVEN TYPE OF STORM BAR AND STORM BAR SPACING.

(USE MAXIMUM VALUES BETWEEN POSITIVE AND NEGATIVE LOAD)

MAX. SPAN FOR STORM BARS W/REGULAR CONCRETE ANCHORS

MAXIMUM DESIGN LOAD "W" (p.s.f.)	C TYPE 1 STORM BAR 2" x 2" x 1/4"		D TYPE 2 STORM BAR 2" x 3" x 1/8"		E TYPE 3 STORM BAR 2" x 4" x 1/8"		F TYPE 4 STORM BAR 2" x 4" x 1/4"		F1 TYPE 5 STORM BAR (2) 2" x 4" x 1/4"	
	* STORM BAR SPACING		* STORM BAR SPACING		* STORM BAR SPACING		* STORM BAR SPACING		* STORM BAR SPACING	
	≤ 3'-0"	3' TO 4'	≤ 3'-0"	3' TO 4'	≤ 3'-0"	3' TO 4'	≤ 3'-0"	3' TO 4'	≤ 3'-0"	3' TO 4'
40	7'-7"	7'-1"	8'-0"	7'-9"	10'-0"	9'-6"	11'-10"	11'-0"	14'-1"	13'-1"
45	7'-5"	6'-11"	8'-0"	7'-4"	9'-11"	8'-11"	11'-6"	10'-8"	13'-8"	12'-9"
50	7'-3"	6'-9"	8'-0"	6'-11"	9'-8"	8'-6"	11'-2"	10'-5"	13'-4"	12'-5"
55	7'-0"	6'-5"	7'-8"	6'-8"	9'-4"	8'-1"	10'-11"	10'-2"	13'-0"	12'-1"
60	6'-11"	6'-2"	7'-4"	6'-4"	8'-11"	7'-9"	10'-8"	9'-11"	12'-9"	11'-10"
65	6'-9"	5'-11"	7'-1"	6'-1"	8'-7"	7'-5"	10'-6"	9'-9"	12'-6"	11'-7"
70	6'-7"	5'-8"	6'-9"	5'-11"	8'-3"	7'-2"	10'-4"	9'-6"	12'-3"	11'-5"
75	6'-4"	5'-6"	6'-7"	5'-8"	8'-0"	6'-11"	10'-1"	9'-2"	12'-0"	11'-2"
80	6'-2"	5'-4"	6'-4"	5'-6"	7'-9"	6'-9"	9'-11"	8'-11"	11'-10"	11'-0"
85	6'-0"	5'-2"	6'-2"	5'-4"	7'-6"	6'-6"	9'-10"	8'-7"	11'-8"	10'-10"
90	5'-10"	5'-0"	6'-0"	5'-2"	7'-4"	6'-4"	9'-8"	8'-4"	11'-6"	10'-8"
95	5'-8"	4'-11"	5'-10"	5'-1"	7'-1"	6'-2"	9'-5"	8'-2"	11'-4"	10'-7"
100	5'-6"	4'-9"	5'-8"	4'-11"	6'-11"	6'-0"	9'-2"	7'-11"	11'-2"	10'-5"

* STORM BAR SPACING SHALL BE SUCH THAT MAXIMUM SLAT SPAN SHALL NOT BE EXCEEDED.

PRODUCT REVISION
 as completed with the
 Building Code
 Acceptance
 06-012A11
 02/19/11
 Division

F.B.C. (High Velocity Hurricane Zone)

AUG 23 2005

TILECO INC.
 TILLIT TESTING & ENGINEERING COMPANY
 6355 N.W. 36th St., Ste. 305 - VIRGINIA GARDENS, FL 33186
 Phone: (305)871-1530 Fax: (305)871-1531
 EB-0006719
 WALTER A. TILLIT Jr., P. E.
 FLORIDA Lic. # 44167

ASSA/40mm BERTHA ROLL-UP

ALUTECH UNITED, INC.
 (ASSA # 88)
 15 DIXON STREET
 SELBYVILLE, DE 19975
 PH: 302-854-9100, FAX: 302-436-5100

DRAWN BY: J.J.V.
 8/1/05 DATE
 05-192 DRAWING No
 SHEET 10 OF 12

REV. No	DESCRIPTION	DATE	REV. No	DESCRIPTION	DATE
1	OLD 02-525	8/1/05	3		
2			4		


HEADER LOADING CHART
MAXIMUM DESIGN PRESSURE RATING "W" (p. s. f.) AND CORRESPONDING
MAXIMUM SPAN "L" FOR A GIVEN TYPE OF HEADER.


(USE MAXIMUM VALUES BETWEEN POSITIVE AND NEGATIVE LOAD)

MAXIMUM DESIGN LOAD "W" (p.s.f.)	TYPE 1 HEADER (G) 2" x 3" x 1/8"		TYPE 2 HEADER (H) 2" x 4" x 1/8"			TYPE 3 HEADER (I) 2" x 4" x 1/4"					TYPE 4 HEADER (J) 2" x 6" x 1/8"				
	STORM BAR HEIGHT		STORM BAR HEIGHT			STORM BAR HEIGHT					STORM BAR HEIGHT				
	≤ 5'-0"	5' TO 7'	≤ 5'-0"	5' TO 8'	8' TO 10'	≤ 6'-0"	6' TO 8'	8' TO 10'	10' TO 12'	12' TO 14'	≤ 6'-0"	6' TO 8'	8' TO 10'	10' TO 12'	12' TO 14'
40.0 OR LESS	9'-11"	8'-4"	12'-2"	9'-8"	8'-8"	14'-10"	12'-10"	11'-6"	10'-6"	9'-9"	15'-1"	13'-1"	11'-8"	10'-8"	9'-11"
45.0	9'-4"	7'-11"	11'-6"	9'-1"	8'-2"	14'-0"	12'-2"	10'-10"	9'-11"	9'-2"	14'-3"	12'-4"	11'-0"	10'-1"	9'-4"
50.0	8'-10"	7'-6"	10'-11"	8'-8"	7'-9"	13'-3"	11'-6"	10'-4"	9'-5"	8'-8"	13'-6"	11'-8"	10'-6"	9'-7"	8'-10"
55.0	8'-5"	7'-2"	10'-5"	8'-3"	7'-4"	12'-8"	11'-0"	9'-10"	9'-0"	8'-4"	12'-11"	11'-2"	10'-0"	9'-1"	8'-5"
60.0	8'-1"	6'-10"	10'-0"	7'-10"	7'-1"	12'-2"	10'-6"	9'-5"	9'-7"	7'-11"	12'-4"	10'-8"	9'-7"	8'-9"	8'-1"
65.0	7'-9"	6'-7"	9'-7"	7'-7"	6'-9"	11'-8"	10'-1"	9'-0"	8'-3"	7'-8"	11'-10"	10'-3"	9'-2"	8'-4"	7'-9"
70.0	7'-6"	6'-4"	9'-3"	7'-3"	6'-6"	11'-3"	9'-9"	8'-8"	7'-11"	7'-4"	11'-5"	9'-11"	8'-10"	8'-1"	7'-6"
75.0	7'-3"	6'-1"	8'-11"	7'-1"	6'-4"	10'-10"	9'-5"	8'-5"	7'-8"	7'-1"	11'-0"	9'-7"	8'-6"	7'-10"	7'-3"
80.0	7'-0"	5'-11"	8'-8"	6'-10"	6'-1"	10'-6"	9'-1"	8'-2"	7'-5"	6'-11"	10'-8"	9'-3"	8'-3"	7'-7"	7'-0"
85.0	6'-9"	5'-9"	8'-4"	6'-7"	5'-11"	10'-2"	8'-10"	7'-11"	7'-3"	6'-8"	10'-4"	9'-0"	8'-0"	7'-4"	6'-9"
90.0	6'-7"	5'-7"	8'-2"	6'-5"	5'-9"	9'-11"	8'-7"	7'-8"	7'-0"	6'-6"	10'-1"	8'-9"	7'-10"	7'-1"	6'-7"
95.0	6'-5"	5'-5"	7'-11"	6'-3"	5'-7"	9'-8"	8'-4"	7'-6"	6'-10"	6'-4"	9'-10"	8'-6"	7'-7"	6'-11"	6'-5"
100.0	6'-3"	5'-3"	7'-9"	6'-1"	5'-5"	9'-5"	8'-2"	7'-3"	6'-8"	6'-2"	9'-7"	8'-3"	7'-5"	6'-9"	6'-3"

PRODUCT REVISED
 to comply with the Florida
 Building Code
 Accepted by
 Inspector
 06-0129.11
 02/14/11
 By
 Division

F.B.C. (High Velocity Hurricane Zone)


 AUG 23 2005

 TILTECO INC. TILLIT TESTING & ENGINEERING COMPANY 6355 N.W. 36th St., Ste. 305 - VIRGINIA GARDENS, FL 33180 Phone: (305)871-1530 Fax: (305)871-1531 EB-0006719 WALTER A. TILLIT JR., P. E. FLORIDA Lic. # 44167	ASSA/40mm BERTHA ROLL-UP ALUTECH UNITED, INC. (ASSA # 68) 15 DIXON STREET SELBYVILLE, DE 19975 PH: 302-854-9100, FAX: 302-436-5100	DRAWN BY: J.J.V. 8/1/05 DATE 05-192 DRAWING No																	
	<table border="1"> <tr> <th>REV. No</th> <th>DESCRIPTION</th> <th>DATE</th> <th>REV. No</th> <th>DESCRIPTION</th> <th>DATE</th> </tr> <tr> <td>1</td> <td>OLD 02-525</td> <td>8/1/05</td> <td>3</td> <td></td> <td></td> </tr> <tr> <td>2</td> <td></td> <td></td> <td>4</td> <td></td> <td></td> </tr> </table>	REV. No	DESCRIPTION	DATE	REV. No	DESCRIPTION	DATE	1	OLD 02-525	8/1/05	3			2			4		
REV. No	DESCRIPTION	DATE	REV. No	DESCRIPTION	DATE														
1	OLD 02-525	8/1/05	3																
2			4																

MULLION LOADING CHART
MAXIMUM DESIGN PRESSURE RATING "W" (p. s. f.) AND CORRESPONDING MAXIMUM SPAN "L"(Ft.) FOR A GIVEN TYPE OF MULLION AND MULLION SPACING (Ft.).

(USE MAXIMUM VALUES BETWEEN POSITIVE AND NEGATIVE LOAD)

MAXIMUM DESIGN LOAD "W" (p.s.f.)	TYPE 1 MULLION (N) 3" x 4" x 1/8"				TYPE 2 MULLION (O) 4" x 4" x 1/4"				TYPE 3 MULLION (P) 4" x 6" x 1/4"					
	MULLION SPACING				MULLION SPACING				MULLION SPACING					
	≤ 4'-0"	4' TO 5'	5' TO 6'	6' TO 8'	≤ 4'-0"	4' TO 5'	5' TO 6'	6' TO 8'	≤ 4'-0"	4' TO 5'	5' TO 6'	6' TO 8'	8' TO 10'	10' TO 12'
40.0 OR LESS	9'-0"	8'-4"	7'-10"	8'-2"	11'-9"	10'-11"	10'-3"	10'-8"	16'-4"	15'-2"	14'-3"	14'-10"	13'-10"	13'-0"
45.0	8'-8"	8'-0"	7'-7"	7'-10"	11'-4"	10'-6"	9'-11"	10'-3"	15'-8"	14'-7"	13'-8"	14'-4"	13'-3"	12'-6"
50.0	8'-4"	7'-9"	7'-3"	7'-7"	10'-11"	10'-2"	9'-7"	9'-11"	15'-2"	14'-1"	13'-3"	13'-10"	12'-10"	12'-1"
55.0	8'-1"	7'-6"	7'-1"	7'-4"	10'-7"	9'-10"	9'-3"	9'-7"	14'-8"	13'-7"	12'-10"	13'-4"	12'-5"	11'-8"
60.0	7'-10"	7'-3"	6'-10"	7'-2"	10'-3"	9'-7"	9'-0"	9'-4"	14'-3"	13'-3"	12'-5"	13'-0"	12'-1"	11'-4"
65.0	7'-8"	7'-1"	6'-8"	7'-0"	10'-0"	9'-4"	8'-9"	9'-1"	13'-11"	12'-11"	12'-2"	12'-8"	11'-9"	11'-1"
70.0	7'-5"	6'-11"	6'-6"	6'-10"	9'-9"	9'-1"	8'-6"	8'-10"	13'-7"	12'-7"	11'-10"	12'-4"	11'-5"	10'-9"
75.0	7'-3"	6'-9"	6'-4"	6'-8"	9'-7"	8'-10"	8'-4"	8'-8"	13'-3"	12'-3"	11'-7"	12'-1"	11'-2"	10'-6"
80.0	7'-2"	6'-7"	6'-3"	6'-6"	9'-4"	8'-8"	8'-2"	8'-6"	12'-11"	12'-0"	11'-4"	11'-10"	10'-11"	10'-4"
85.0	7'-0"	6'-6"	6'-1"	6'-4"	9'-2"	8'-6"	8'-0"	8'-4"	12'-8"	11'-9"	11'-1"	11'-7"	10'-9"	10'-1"
90.0	6'-10"	6'-4"	6'-0"	6'-3"	9'-0"	8'-4"	7'-10"	8'-2"	12'-5"	11'-7"	10'-11"	11'-4"	10'-6"	9'-11"
95.0	6'-9"	6'-3"	5'-10"	6'-2"	8'-10"	8'-2"	7'-9"	8'-1"	12'-3"	11'-4"	10'-8"	11'-2"	10'-4"	9'-9"
100.0	6'-7"	6'-2"	5'-9"	6'-0"	8'-8"	8'-0"	7'-7"	7'-11"	12'-0"	11'-2"	10'-6"	10'-1"	10'-2"	9'-7"

NOTES : REFER TO ELEVATIONS ON SHEET 1A OF 12
1- FOR MULLIONS INSTALLED W/O STORM BARS
A) MULLION SPACING SHALL BE SUCH THAT MAXIMUM SLAT SPAN SHALL NOT BE EXCEEDED
2- FOR MULLIONS INSTALLED W/ STORM BARS & HEADERS
A) MULLION SPACING SHALL BE SUCH THAT MAXIMUM HEADER SPAN SHALL NOT BE EXCEEDED
B) STORM BAR SPACING SHALL BE SUCH THAT MAXIMUM SLAT SPAN SHALL NOT BE EXCEEDED

PRODUCT REVISED
By: [Signature]
Date: 06-01-24-11
02/14/11

AUG 23 2005

F.B.C. (High Velocity Hurricane Zone)

 TILECO INC. <small>TILLIT TESTING & ENGINEERING COMPANY</small> <small>8305 N.W. 36th. St. Ste. 305 - VIRCHIA GARDENS, FL 33168</small> <small>Phone : (305)871-1530 Fax : (305)871-1531</small> <small>EB-0006719</small> <small>WALTER A. TILLIT Jr., P. E.</small> <small>FLORIDA Lic. # 44167</small>	ASSA/40mm BERTHA ROLL-UP ALUTECH UNITED, INC. <small>(ASSA # 88)</small> <small>15 DIXON STREET</small> <small>SELBYVILLE, DE 19975</small> <small>PH: 302-854-9100, FAX: 302-436-5100</small>	DRAWN BY: J.J.V. 8/1/05 DATE 05-192 DRAWING No SHEET 12 OF 12																	
	<table border="1"> <thead> <tr> <th>REV. No</th> <th>DESCRIPTION</th> <th>DATE</th> <th>REV. No</th> <th>DESCRIPTION</th> <th>DATE</th> </tr> </thead> <tbody> <tr> <td>1</td> <td>OLD 02-525</td> <td>8/1/05</td> <td>3</td> <td></td> <td></td> </tr> <tr> <td>2</td> <td></td> <td></td> <td>4</td> <td></td> <td></td> </tr> </tbody> </table>	REV. No	DESCRIPTION	DATE	REV. No	DESCRIPTION	DATE	1	OLD 02-525	8/1/05	3			2			4		
REV. No	DESCRIPTION	DATE	REV. No	DESCRIPTION	DATE														
1	OLD 02-525	8/1/05	3																
2			4																