



Garage Door and Entrance Gate Operators

NEW: Simple operation by smartphone using the Hörmann BlueSecur app

HÖRMANN





CONTENT

- 4 Good reasons to try Hörmann
- 8 Garage door operators
- 12 Garage door operator SupraMatic
- 14 Garage door operator ProMatic
- 18 Entrance gate operators
- 22 Hinged gate operator RotaMatic / RotaMatic Akku-Solar
- 24 Hinged gate operator VersaMatic / VersaMatic Akku-Solar
- 26 Sliding gate operator LineaMatic / LineaMatic Akku-Solar
- 28 Sliding gate operator STA 400
- 29 Accessories
- 50 Dimensions and fitting data
- 58 Hörmann product range

Some of the doors shown are equipped with optional extras and do not always correspond to our standard models.

The surface finishes and colours shown are subject to the limitations of the printing process and cannot be regarded as binding.

All rights reserved. No part may be reproduced without our prior permission. Subject to changes.

◀ Sectional garage door, L-ribbed in Anthracite grey RAL 7016 with garage door operator SupraMatic and sliding gate operator LineaMatic

“A good reputation must be earned.”

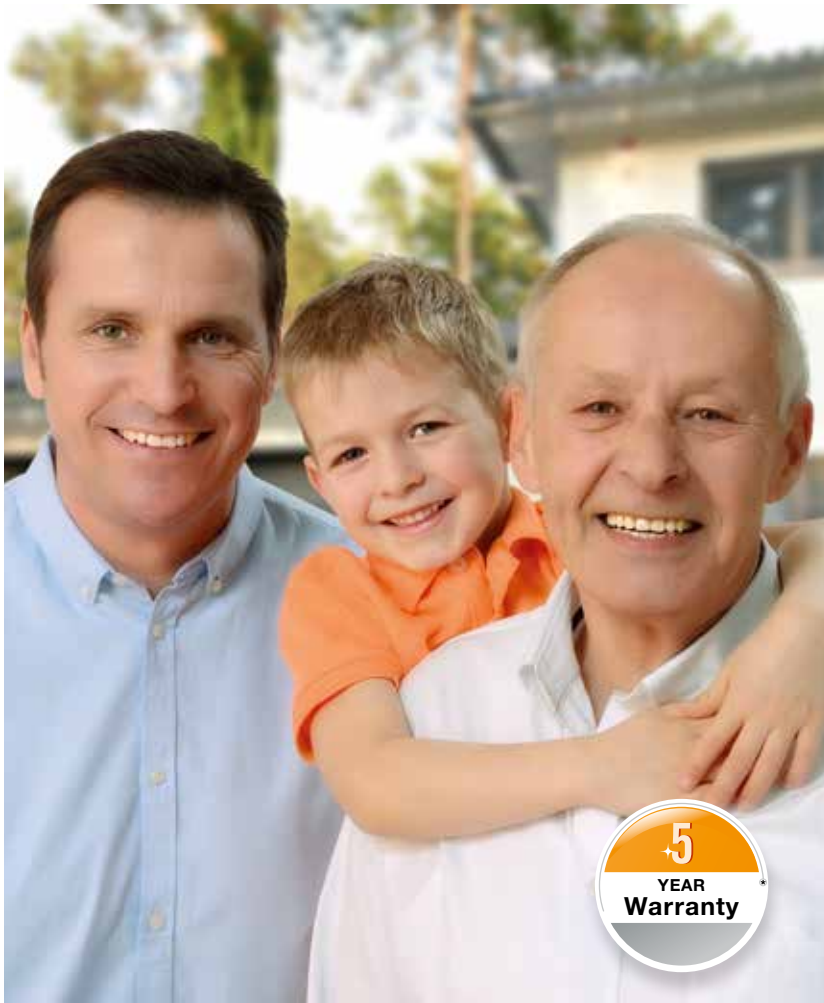
August Hörmann

In line with the founder's philosophy, the Hörmann brand today is a true promise of quality. The family-owned company has over 80 years of experience in door and operator construction and, with sales of over 20 million doors, is no. 1 in Europe. This makes a Hörmann operator a reassuring purchase.



1 Brand quality “Made in Germany”

All essential doors and operator components are developed and manufactured by Hörmann, are **perfectly matched to each other** and **tested and certified** by independent, recognised institutes to ensure your safety. They are manufactured in Germany according to the DIN ISO 9001 quality management system and meet the requirements of European standard 13241-1. Furthermore, our highly qualified employees work intensively on new products, continual further developments and improvements to details. The results are patents and one-of-a-kind products you can depend on.



2 Door operators for generations

Endurance tests under real-life conditions ensure mature series products with Hörmann quality. Thanks to this, as well as excellent technical solutions and uncompromising quality assurance, you receive **a 5-year warranty on all Hörmann garage door and entrance gate operators.***

* The complete warranty conditions can be found at: www.hoermann.com

3 An eye on the future

Hörmann is setting a good example. This is why the company obtains **100 % of its energy consumption from green sources.** Together with an intelligent and certified energy management system, CO₂-neutral mailing and the recycling of valuable materials, more than **40000 tons of CO₂ are saved each year.** And last but not least, Hörmann also offers products for sustainable construction.



4 BiSecur radio system with certified security



The bi-directional BiSecur radio system is based on **future-oriented technology** for the convenient and secure operation of garage and entrance gate operators, door operators, lights and more. This extremely secure BiSecur encryption protocol, developed by Hörmann, with a stable, interference-free range makes sure that no one can copy your radio signal. It was tested and certified by security experts at Bochum university.



Take a look at the BiSecur video at: www.hoermann.com/videos

5 Perfectly matched and 100 % compatible

All BiSecur operators, receivers and control elements are 100 % compatible. Using a hand transmitter or radio code switch, for example, you can conveniently operate your garage door as well as an entrance gate equipped with a Hörmann operator, your door operators or other devices with BiSecur receivers.

With the **new Hörmann BlueSecur app, you can conveniently use your smartphone to operate your garage door or entrance gate via Bluetooth***. In addition, other user permissions** can be permanently or temporarily transferred to other smartphones, so that every family member always has their “gate and door opener” with them.

* In conjunction with an external Hörmann Bluetooth receiver

** In-app purchases may be required



6 Convenient querying of the door position

You no longer have to go out in any wind and weather to check if your door is closed. At the press of a button, the colour of the LED on the hand transmitter HS 5 BS or the internal push button FIT 5 BS indicates the position of the door. If required, another push of a button*** closes the door. It is the most convenient and secure way to control your door.

*** An additional photocell is required for operation without visual contact to the door.

7 Award-winning design

In addition to a black or white design, **BiSecur hand transmitters** are characterised by an elegant shape that fits easily in the palm of your hand.

Hörmann's BiSecur hand transmitters with an optional high-gloss surface in a piano lacquer look have received the reddot design award for their exclusive design.



Take a look at the video "Secure, convenient, exclusive – Hörmann's BiSecur radio system" at: www.hoermann.com/videos

Figure above: hand transmitter HS 5 BS with hand transmitter station (optional)

Benefit from numerous advantages

Hörmann operators are distinguished by a successful combination of quality, security and intelligent technology: the boom-guided operator patent guarantees stable, quiet door travel; the soft start and soft stop functions increase the service life of your door. Proven security functions give you a feeling of safety: a locking mechanism that engages when the door is closed protects the door from being forced open; on encountering an obstruction, the automatic safety cut-out immediately stops the door. Useful additional functions round off the comfort: ventilate your garage with a second opening height, for example, without the need to open the entire door. For garages without a power connection, use the powerful ProMatic battery with optional solar panel.







1 Safe



Only from Hörmann

Mechanical anti-lift kit in the operator boom

Burglars have a tough time when it comes to Hörmann automatic garage doors: **when the garage door is closed, the anti-lift kit automatically engages in the guide rail stop.**

The door locks immediately and is secured against forced opening. This lock is purely mechanical and, in contrast to operators from other manufacturers, effective even in the event of a power failure.

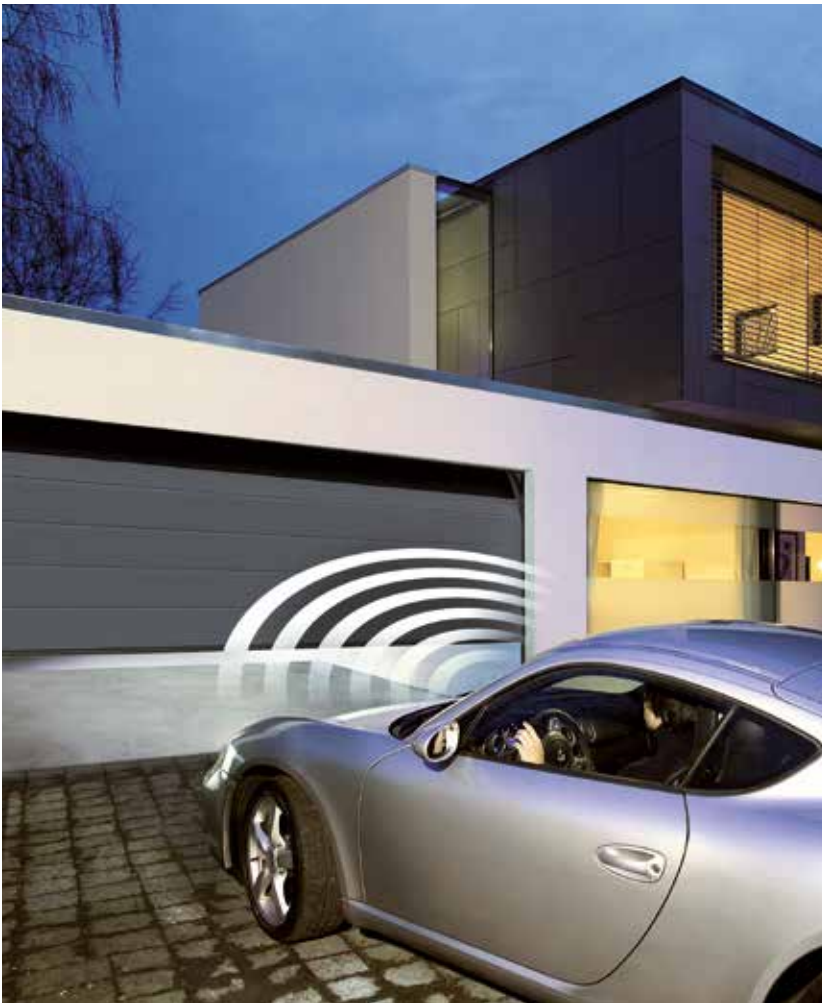


Take a look at the video "Garage door operators – Reassuring security" at: www.hoermann.com/videos

2 Reliable

The reliable automatic safety cut-out securely stops the door if it encounters an obstacle. For even more protection and safety, we recommend fitting a non-contact photocell. This is a standard feature in the Hörmann SupraMatic P operator.

Your door **opens and closes quietly and smoothly with the soft start and soft stop.** The start and stop phases can be individually set for your garage door. This protects your garage door, allowing you to enjoy it for years to come.



3 Super-fast

You can enter faster and more safely with the SupraMatic operator when combined with a Hörmann sectional garage door. **An up to 50 % faster opening speed** means more safety and less stress on high-traffic garage entrances. Compare the opening speed of the SupraMatic operator with conventional operators.



Take a look at the video "Garage door operator SupraMatic – The duel" at: www.hoermann.com/videos

4 Certified

Hörmann garage door operators are perfectly matched to the sectional garage doors and have been tested and certified in accordance with the TTZ directive "Break-in resistance for garage doors" **by independent test institutes.**

SupraMatic – the supra-fast operator with many additional functions



With the combination of speed and convenience, your sectional garage door opens faster, allowing quicker access from the street into your garage. The SupraMatic has many additional functions, such as being able to switch the operator lighting on and off with your hand transmitter, and the convenient option of an additional opening height to ventilate your garage. An operator cover made of brushed aluminium also provides the SupraMatic with a very elegant appearance.



Garage door operators	SupraMatic E	SupraMatic P
Special feature		For timber doors and doors with wicket doors
Equipment		Photocell
Cycles per day / hour	25 / 10	50 / 10
Pull and push force	650 N	750 N
Peak force	800 N	1000 N
Max. opening speed	22 cm/s	22 cm/s
Max. door width	5500 mm	6000 mm
Max. door surface	13.75 m ²	15 m ²



Standard hand transmitter
HS 5 BS black textured
surface



1

1 Convenient querying of the door position

You can use the standard HS 5 BS hand transmitter at any time to check that your garage door is closed.



2

2 Faster door opening

An up to 50 % faster opening speed gets you from the street into your garage sooner.



3

3 Additional opening height

With the individually adjustable opening height, you can ventilate your garage without completely opening the door. Ventilation can be automatically regulated using the new, optional climate sensor. For further information, see pages 46 / 47.



4

4 Separately switchable operator light

The LED lighting with energy efficiency class A++ can be switched on and off separately via your hand transmitter or the IT 3b optional internal push-button unit.



5

5 Easy-to-use programming

All of the operator functions can be set very easily by entering a two-digit number.



6

6 High security

The standard photocell EL 101 included with SupraMatic P immediately detects persons and objects. Families with children especially appreciate this level of safety.

ProMatic – the good-value starter model as an introduction to Hörmann’s premium quality

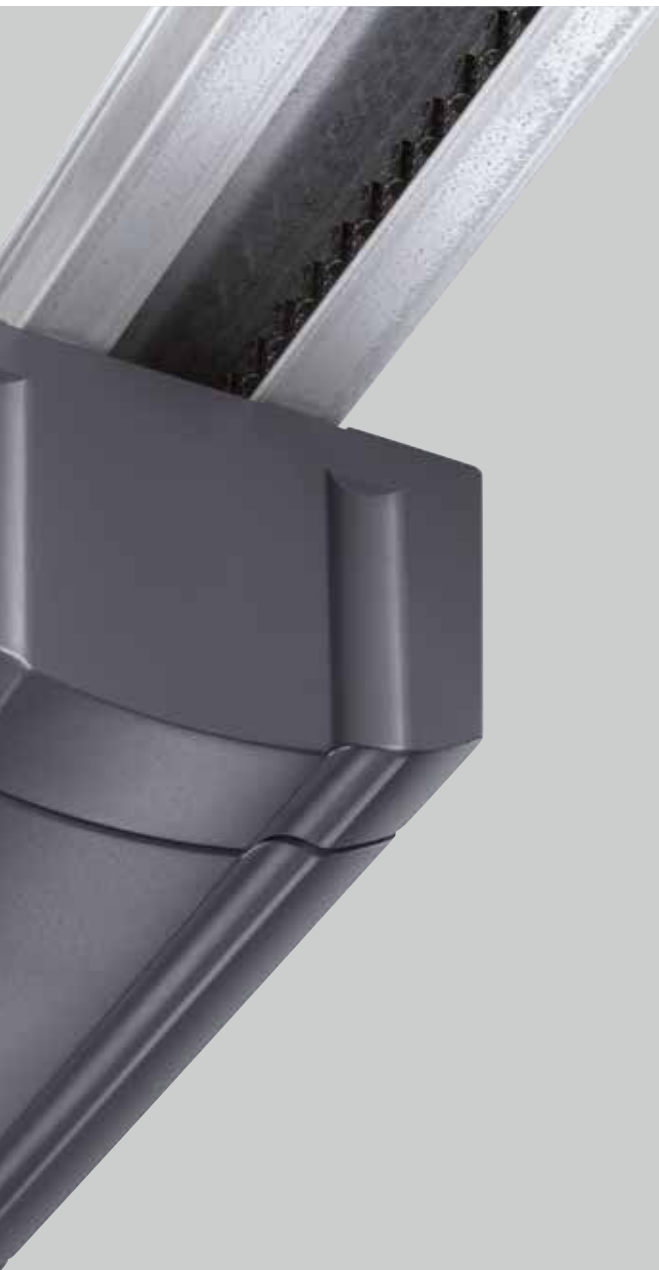


ProMatic garage door operators feature the same proven Hörmann technology as all Hörmann premium operators. This guarantees reliable function – at an attractive price.

Even in a garage without a mains connection, you can enjoy the comfort and convenience of an operator. The ProMatic Akku makes it possible. Easy to transport, it can be recharged in a matter of hours, conveniently via the optional solar module.



Garage door operators	ProMatic	ProMatic Akku
Special feature		For garages without power connection
Cycles per day / hour	12 / 5	5 / 2
Pull and push force	600 N	350 N
Peak force	750 N	400 N
Max. opening speed	14 cm/s	13 cm/s
Max. door width	5000 mm	3000 mm
Max. door surface	11.25 m ²	8 m ²



1 Convenient querying of the door position

You can use the optional HS 5 BS hand transmitter at any time to check if your garage door is closed (not for ProMatic Akku).



2 Additional opening height

With the individually adjustable second opening height you can ventilate your garage without opening the door completely (not for ProMatic Akku).

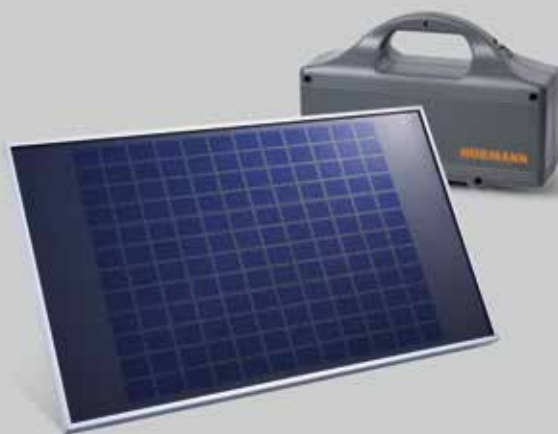


3 Operator light

The LED lighting with energy efficiency class A++ illuminates during door travel.



Standard hand transmitter
HSE 4 BS black textured
surface with plastic caps



ProMatic Akku

If your garage does not have a power connection, the ProMatic Akku is the perfect solution for you. Depending on the frequency of daily door cycles you can control your operator up to several weeks. Once the battery is empty, you can recharge it via a standard power outlet, for example over night. The optional solar module is particularly convenient. It charges the battery automatically. For further information, please see page 31.

As standard
for all garage
door operators



Only from Hörmann

Mechanical anti-lift kit
in the operator boom

Automatic door locking in the operator boom

When the garage door is closed, the anti-lift kit **1** automatically engages in the guide rail stop. The door locks immediately and is secured against forced opening. This process is purely mechanical and thus also functions without a power supply!



Take a look at the video "Garage door operators – Reassuring security" at: www.hoermann.com/videos



Exceptionally flat boom

An exceptionally flat boom of only 30 mm height, **2** means that operators are easy to fit to any commercially available garage door and are therefore also ideal for retrofitting.

Emergency release from inside

During power failures, you can open the door conveniently from inside **3**.

Universal link bracket

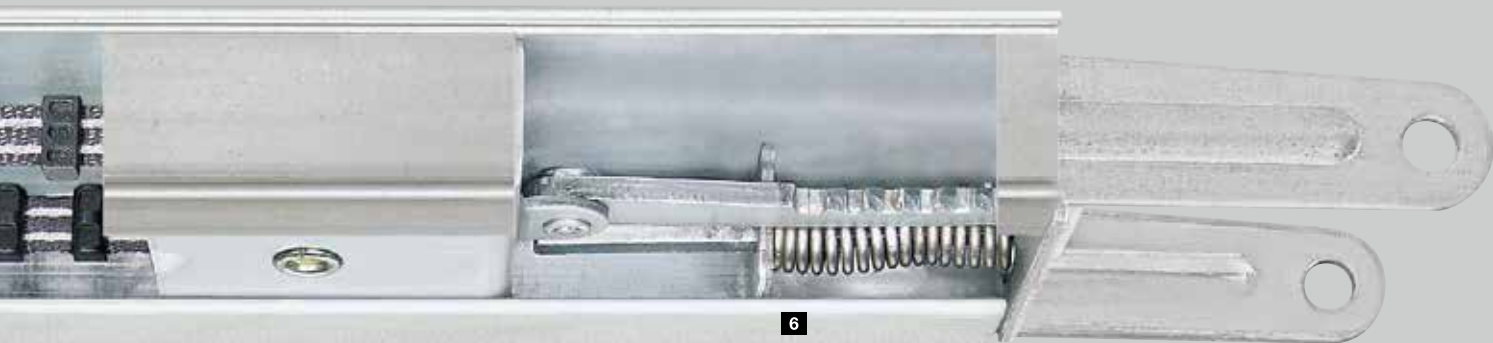
The universal link bracket **4** fits all commercially available up-and-over and sectional doors.

Maintenance-free toothed belt

Reinforced with aramid fibres, the Kevlar toothed belt **5** is particularly tear-resistant and quiet-running. It does not require grease or lubricants, providing an important advantage over chain or spindle operators.

Automatic belt tension

The strong spring mechanism **6** tensions the toothed belt automatically, thus ensuring uniform, smooth running.



Compact unit

Hörmann's doors, operators and booms form a compact, permanently connected unit. Additional control units and exposed, movable connecting leads are not necessary.

Easy installation

Hörmann operators can be installed easily and quickly. Using the adjustable suspensions, you can fix the boom in a variety of ways: either to the ceiling or directly to the reinforced connection profile of the Hörmann sectional door (up to 3000 mm door width). An additional advantage: just one suspension is sufficient, even for long booms.

Centre installation

Centre installation of the operator boom on the door leaf results in uniform pull forces. No jamming, no wear, which is frequently the case with e.g. operators installed on one side.



Easy fitting

For Hörmann sectional doors up to 3000 mm door width, the operator boom can simply be fitted on the connection profile of the door.



Special track application for hinged garage doors

Thanks to simple assembly of the optional track application, retrofitting is also very easy.

More comfort, more quality, more security

Only a remote-controlled Hörmann operator makes your entrance gate truly convenient to operate. Thanks to the soft start and soft stop function, your door always runs evenly and smoothly. The obstacle detection function protects people and objects and gives you a feeling of safety. Useful additional functions round off your comfort, e.g. the automatic timer function that closes your door after a pre-defined period*, or the option to open the door only partially for people to pass through. The operators RotaMatic, VersaMatic and LineaMatic are also available as an Akku-Solar variant.

* An optional photocell is required to use this function.







1

Safe

Thanks to the **automatic safety cut-out**, Hörmann entrance gate operators work reliably during all opening and closing phases. The **gate stops immediately if it encounters an obstacle**. Non-contact photocells detect persons or objects, providing additional safety. These can be easily and elegantly integrated into the safety key switch posts (see page 43) and placed near the entrance to monitor the area of travel of your hinged or sliding gate.

2

Reliable

Hörmann entrance gate operators **open quietly and reliably thanks to the soft start and soft stop function**. The gate opens without a jolt and gently brakes before fully closing. This protects the gate and operator and does not disturb your neighbours.



3 Robust

High-quality entrance gate operators from Hörmann are **decidedly robust, ensuring that they remain in good mechanical condition over the long run.** Weather-resistant and lasting material ensures long-term function. Our RotaMatic version also comes with integral heating for use in especially cold regions.

4 Certified

Hörmann entrance gate operators work safely during all opening and closing phases. The operating forces for common gate sizes and fitting situations have been **tested and certified by independent test institutes** in accordance with DIN EN 13241-1.

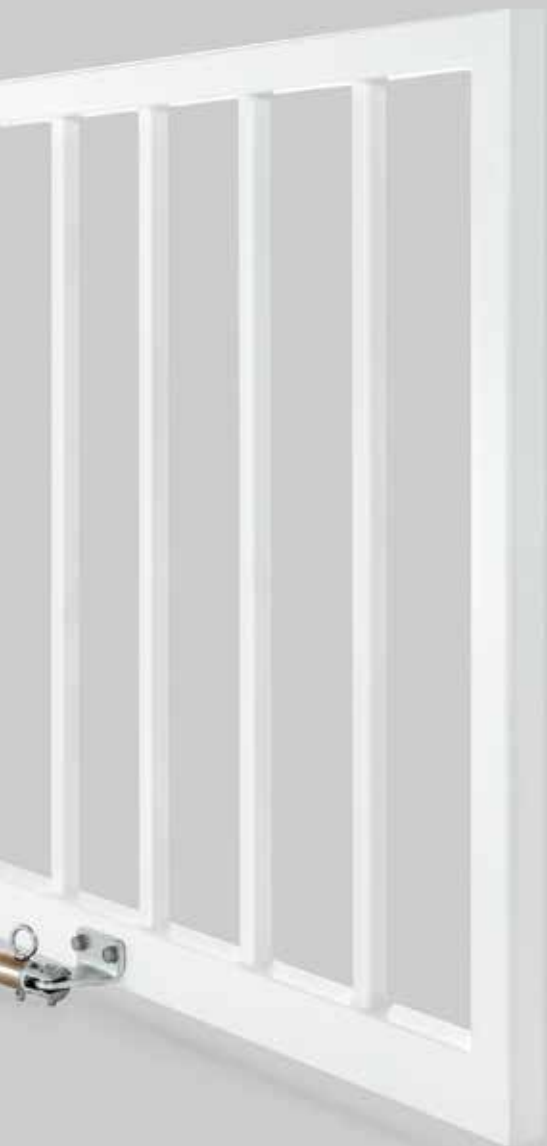
RotaMatic – the slim operator with an elegant appearance



Thanks to its modern, slimline design, Hörmann's RotaMatic hinged gate operator is the perfect partner for your beautiful hinged gate. Just like the design, the functional and safety features are also exemplary. You can enjoy the convenience of an operator even if there is no direct connection to the mains supply. The RotaMatic Akku-Solar makes it possible.



Hinged gate operators	RotaMatic	RotaMatic P	RotaMatic PL	RotaMatic Akku-Solar
Cycles per day / hour	20 / 5	40 / 10	40 / 10	5 / 2
Max. door leaf width	2500 mm	2500 mm	4000 mm	2500 mm
Max. door leaf height	2000 mm	2000 mm	2000 mm	2000 mm
Max. weight	220 kg	400 kg	400 kg	120 kg



1 Convenient querying of the door position

You can use the standard hand transmitter HS 5 BS at any time to check if your entrance gate is closed (not for RotaMatic Akku-Solar).



2 Partial opening

With double-leaf doors, only one door leaf can be opened for people to pass through.



Standard hand transmitter
HSE 4 BS textured surface
black with plastic caps



Standard hand transmitter
HS 5 BS black textured
surface

RotaMatic Akku-Solar

If there is no power outlet near your entrance gate, the powerful RotaMatic Akku-Solar is the perfect solution for you. Its battery is securely stored in a lockable control cabinet and is automatically recharged by the solar module. For further information, please see page 31.

VersaMatic – for special fitting situations



The hinged gate operator VersaMatic with integrated controls is the perfect solution even for unusual fitting situations. It is suitable for fitting on very low door pillars, for example. In addition, the fitting position is variable and can be optimally adjusted to each situation. Furthermore, no separate controls have to be installed – this saves time and space. The VersaMatic also features proven technology: its speed, for example, is individually adjustable; this way, it achieves smooth door travel for all door sizes.



Hinged gate operators	VersaMatic	VersaMatic P	VersaMatic Akku-Solar
Cycles per day / hour	20 / 5	40 / 10	5 / 2
Max. door leaf width	2000 mm	3000 mm	2000 mm
Max. door leaf height	2000 mm	2000 mm	2000 mm
Max. weight	200 kg	300 kg	150 kg



1 Individually adjustable door travel speed

The speed and the soft start and soft stop functions can be individually adjusted. This ensures smooth door travel even with larger doors. In addition, warping of the door leaf during starting and stopping is prevented – all of this positively affects the service life of your door.



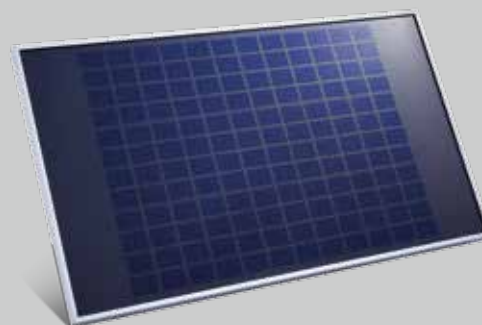
2 Convenient querying of the door position

You can use the standard hand transmitter HS 5 BS at any time to check if your entrance gate is closed.



3 Partial opening

With double-leaf doors, only one door leaf can be opened for people to pass through.



Standard hand transmitter HS 5 BS black textured surface

VersaMatic Akku-Solar

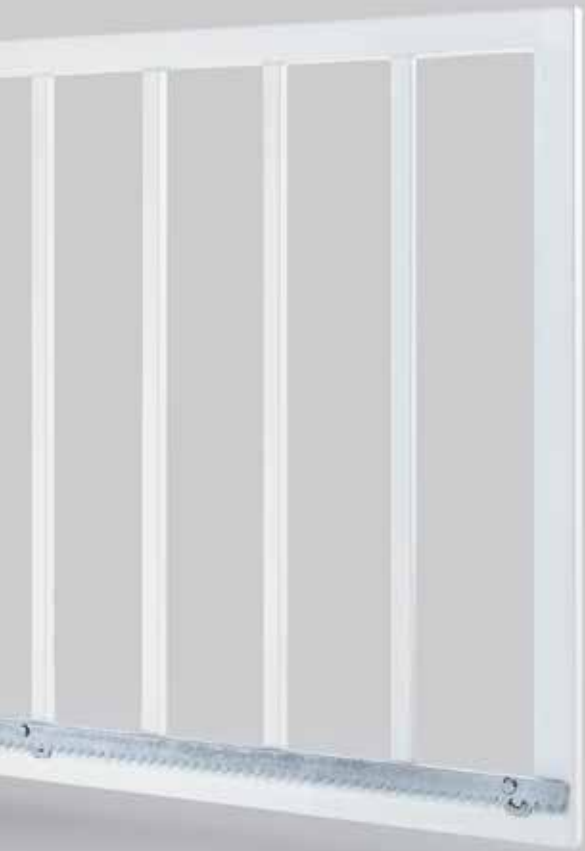
The possibilities to supply the VersaMatic with power are just as versatile as the operator itself. If you don't have a power connection near your door, you can use the standalone VersaMatic Akku-Solar. This powerful battery is securely stored in a separate housing. It is charged using the standard solar module. For further information, see page 31.

LineaMatic – a compact and reliable operator

Highlights of the sliding gate operator LineaMatic include its compact, height-adjustable housing made of zinc die-cast and glass-fibre reinforced plastic, as well as its reliable operator electronics.



Sliding gate operators	LineaMatic	LineaMatic P	LineaMatic H	LineaMatic Akku-Solar
Special feature			no radio	
Cycles per day / hour	20 / 5	40 / 10	40 / 10	5 / 2
Max. door leaf width	6000 mm	8000 mm	10000 mm	6000 mm
Max. door leaf height	2000 mm	2000 mm	3000 mm	2000 mm
Max. weight	300 kg	500 kg	800 kg	200 kg
Max. self-supporting weight	250 kg	400 kg	600 kg	150 kg



1 Convenient querying of the door position

You can use the standard hand transmitter HS 5 BS at any time to check if your entrance gate is closed (not for LineaMatic H).

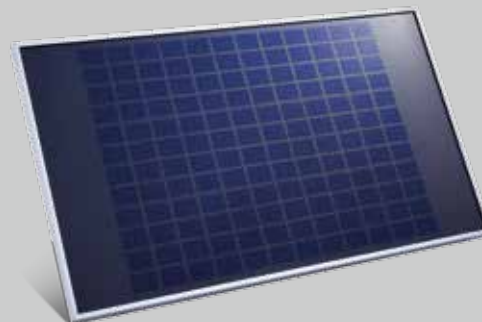


2 Partial opening

The gate can be opened only partially for people to pass through.



Standard hand transmitter HS 5 BS
black textured surface



LineaMatic Akku-Solar

The Akku-Solar variant is recommended if you do not have a power connection on the entrance gate. This powerful battery is securely stored in a separate housing. It is charged using the standard solar module. For further information, please see page 31.

STA 400 – for large and heavy gates

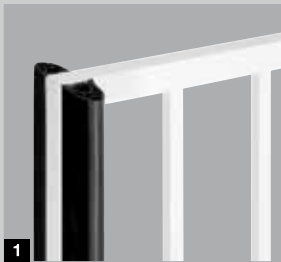
The sliding gate operator STA 400 is specifically designed for large gates. The matching control B 460 FU ensures precise door travel and smooth stopping.



Sliding gate operator	STA 400
Special feature	no radio
Cycles per day / hour	100 / 20
Max. door leaf width	17000 mm
Max. door leaf height	3000 mm
Max. weight	2500 kg
Max. self-supporting weight	1800 kg

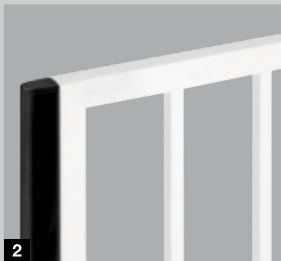
For increased security

In many cases it makes sense to additionally increase the security of your entrance gate. With sound-absorbing seals you can reduce the risk of damage or injury; warning lights provide visual warning of door travel. Hörmann offers the perfect solution for all hinged or sliding gates.



Sound-absorbing seal

A sound-absorbing seal reduces the forces that arise during a collision with vehicles or people and thus also reduces damage or injuries. It is sold separately for hinged gates **1** or sliding gates **2**. The operating forces for the operators RotaMatic, VersaMatic and LineaMatic with a sound-absorbing seal have been tested and certified for many gate sizes and fitting situations by a recognised test institute.



3 Electric lock

Hinged gates are subjected to enormous forces under high wind loads. An additional electric lock secures them from being blown open.



4 Warning light

A warning light on your entrance gate provides you with extra security, day and night.



For increased independence

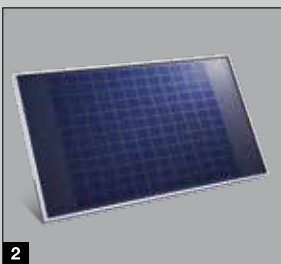
Even without a power outlet you do not have to forgo the convenience of a garage door or entrance gate operator: in the optional Akku or Akku-Solar version, Hörmann garage and entrance gate operators can be operated for up to several weeks without an external power supply. With the ProMatic Akku, the battery can be simply recharged via a power outlet, for instance over night. The solar module makes recharging the battery even more convenient. This is available as standard for all entrance gate operators in the Akku-Solar version or optionally for the ProMatic Akku.



1

1 Easy recharging

A practical carrying handle and its light weight make it easy to transport the battery for charging using a power outlet.



2

2 Solar module

The battery is recharged using the solar module. Delivery includes fitting material, 10 m connecting lead and charge controller, dimensions: 330 x 580 mm.

	ProMatic Akku	RotaMatic Akku-Solar	VersaMatic Akku-Solar	LineaMatic Akku-Solar
Solar module	Optional	As standard	As standard	As standard
Operation period*	circa 40 days	circa 30 days	circa 30 days	circa 30 days
Recharging**	approx. 5-10 hours using the power outlet or optionally using the solar module	approx. 5-10 hours via power outlet or using the solar module	approx. 5-10 hours via power outlet or using the solar module	approx. 5-10 hours via power outlet or using the solar module
Weight (in kg)	8,8	8,8	8,8	8,8
Dimensions (in mm)	330 x 220 x 115	320 x 220 x 115	320 x 220 x 115	320 x 220 x 115

* Based on an average of 4 door cycles per day and an ambient temperature of 20°C

** Depending on the charge level

For even more comfort and security

Hörmann operator accessories are characterised by innovative technology, exclusive design and 100 % compatibility – the ideal combination for everyone who values perfection. You want maximum comfort? We have the right control element for all your wishes and needs: elegant hand transmitters, stationary radio buttons or beautiful radio internal push buttons – choose your favourite. With light and security accessories you can illuminate your entrance area and make garage door and entrance gate operation even more secure.





ACCESSORIES

▼ Hand transmitter HSE 4 BS

The practical eyelet means you can fix the hand transmitter directly onto your key ring.





▲ **Finger-scan FFL 12 BS**

Simply use your finger print to open the garage.

◀ **Hand transmitter HSZ 2 BS**

The alternative to homelink systems: integrated in an inconspicuous spot in your car. Inserted into the cigarette lighter of your car, the hand transmitter HSZ is easily accessible and usable



Hand transmitter HS 5 BS

4 button functions,
plus query button,
1 High-gloss surface black
or white
2 Textured surface black



Hand transmitter HS 4 BS

4 button functions,
3 Textured surface black

Hand transmitter HS 1 BS

1 button function,
4 Textured surface black

Hand transmitter HSE 1 BS

1 button function,
including eyelet for key ring
5 Textured surface black



Hand transmitter HSE 4 BS

4 button functions,
including eyelet for key ring
6 Textured surface black
with chrome or plastic caps

Hand transmitter HSE 2 BS

2 button functions,
including eyelet for key ring
7 High-gloss surface black
or white
8 High-gloss surface green,
purple, yellow, red, orange
9 Decors in silver, carbon,
dark rootwood

(Shown from left)





**10 Hand transmitter
HSD 2-A BS**

Aluminium look,
2 button functions,
can also be used as a key ring

**11 Hand transmitter
HSD 2-C BS**

High-gloss chrome,
2 button functions,
can also be used as a key ring



12 Hand transmitter HSP 4 BS

4 button functions,
with button lock-out incl. key ring



13 Hand transmitter HSZ 1 BS

1 button function,
for insertion in vehicle
cigarette lighter

14 Hand transmitter HSZ 2 BS

2 button functions,
for insertion in vehicle
cigarette lighter



**15 Hand transmitter holder
including visor clip**

For wall fitting or fastening to the
sun visor of your car, transparent,
available in 2 versions for:
HS 5 BS, HS 4 BS, HS 1 BS
and HSE 2 BS, HSE 1 BS

BiSecur

The modern radio system for garage
door and entrance gate operators

Interference-resistant

Radio signal with a stable range.

128-bit encryption

Benefit from the same high security level
as in online banking.

Impact-resistant

The hand transmitter is very sturdy thanks
to a permanently installed antenna.

Backwards compatible

The BiSecur control elements are suitable
for the operation of all Hörmann operators
with a radio frequency of 868 MHz (year
of manufacture 2003 – 06/2012) / (querying
the door position is not possible).

Simple code transmission

Your individual hand transmitter coding can be
easily transmitted to another hand transmitter.



Easy transmission of the radio code
to other hand transmitters



**Radio code switch
FCT 3 BS**
For 3 functions,
with illuminated buttons



**Transponder key switch
TTR 1000-1**
For 1 function, for 1000
teachable keys, 1 key
and 1 card in scope of delivery
(more on request)



**Radio code switch
FCT 10 BS**
For 10 functions,
with illuminated buttons
and protective cover



Code switch CTP 3-1
For 3 functions, with illuminated
lettering and touch-sensitive
black touch surface



**Radio finger-scan
FFL 12 BS**
For 2 functions
and up to 12 fingerprints



Code switch CTR 1b-1 / 3b-1
For 1 or 3 functions



Code switch CTV 3-1
For 3 functions, particularly
robust with metal keypad



**Radio internal push
button FIT 2-1 BS**
For 2 functions, connection
option for max. 2 control
elements via cable,
e.g. key switch



Finger-scan FL 150
For 2 functions, control
via fingerprint, up to 150
savable fingerprints



10

11

**10 Hand transmitter
HSD 2-A BS**

Aluminium look,
2 button functions,
can also be used as
a key ring

**11 Hand transmitter
HSD 2-C BS**

High-gloss chrome,
2 button functions,
can also be used as
a key ring



12

**12 Hand transmitter
HSP 4 BS**

4 button functions,
with button lock-out,
incl. key ring



13

14

**13 Hand transmitter
HSZ 1 BS**

1 button function,
for insertion in vehicle
cigarette lighter

**14 Hand transmitter
HSZ 2 BS**

2 button functions,
for insertion in vehicle
cigarette lighter



**HSZ hand
transmitter**

The alternative to
homelink systems:
integrated in an
inconspicuous spot in
your car. Inserted in the
vehicle's cigarette lighter,
the HSZ hand transmitter
is easily accessible and
convenient to operate.



**Access control system
LightAccess**

■ **NEW**

With the simple access control system LightAccess you can open your doors and gates via LightPass with your smartphone. An alternating colour code on the display is scanned by the reader and opens the door or gate. Via the LightPass app or the LightPass website, you can conveniently send 12 permanent and 6 time-limited access codes to your family and friends online via e-mail or text message. The obtained link with the colour code is retrieved in the browser of the mobile phone. No software needs to be installed on the mobile phone and the recipient of the code obtains quick and easy access.



Easily manage access codes on a computer or via app on your smartphone or tablet



Send access codes (limited or permanent) via e-mail or text message to virtually any smartphone with a colour display and web browser



Open the door by scanning the changing mobile phone colour code using the reader

Please note: Photosensitive seizure warning

A very small percentage of people may experience a seizure when using this software due to rapid flashing lights on the screen, upon device activation. Even people who have no history of seizures or epilepsy may have an undiagnosed condition that can cause these "photosensitive epileptic seizures".

These seizures may have a variety of symptoms, including lightheadedness, altered vision, eye or face twitching, jerking or shaking of arms or legs, disorientation, confusion, or momentary loss of awareness. Seizures may also cause loss of consciousness or convulsions that can lead to injury from falling or striking nearby objects. Immediately stop using the software and consult a doctor if you experience any of these symptoms. The risk of photosensitive epileptic seizures may be reduced by taking the following precautions:

- **Use in a well-lit area**

- **Do not use if you're drowsy or fatigued**

If you or any of your relatives have a history of seizures or epilepsy, consult a doctor before using this software.

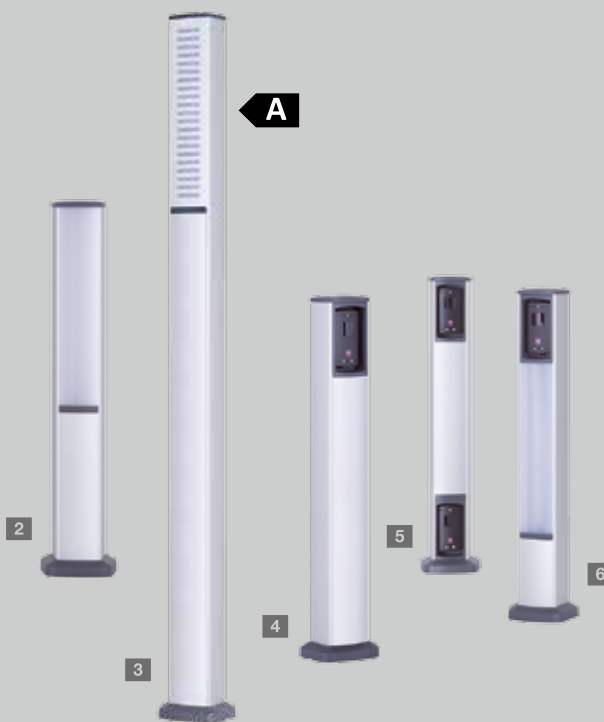




LED lighting for doors

An LED light strip **1** with neutral white light puts your door and side door in the right light. The plug-in system can be shortened individually, making it a perfect fit for any door width. You can arrange the LED light strip at the lintel (figure on the left) or bottom edge of the door leaf.

LED distance: 125 mm
Energy efficiency class A



Light and security accessories

Hörmann key switch post sets made out of weather-resistant, anodised aluminium offer you more light and security. The posts can be individually equipped using variable inserts for photocells and LED light modules.

Light key switch post

2 SLS-K

With LED light module
Height 550 mm

3 SLS-L

With LED light module and design screen
Height: 1080 mm

Energy efficiency class A

Safety key switch post STL

4 Basic version with support box for a photocell with height of 550 mm

5 Two optional photocells

6 An optional photocell and LED light module



LED light modules

You can choose between warm **7** and neutral **8** white light for light modules. The optional aluminium design screen creates a special accent **9**.

For more comfort in your home

Our perfectly matched products provide you with comprehensive solutions that make your life easier and more convenient.

For example, our elegant radio internal push buttons and hand transmitters control your garage door and entrance gate operators as well as Hörmann radio electric socket with various electrical devices such as lights, household appliances etc.

Are your internal doors equipped with Hörmann PortaMatic operators? Then you can use those accessories to conveniently open and close your doors.



Door Operator PortaMatic



For additional information, consult the PortaMatic door operator brochure.



Recessed radio transmitter

For two functions, for recessed buttons, central installation in the house within sight of the garage door



HSU 2 BS: for switch boxes with 55 mm Ø with connection to the house mains supply

FUS 2 BS: for switch boxes with 55 mm Ø, including 1.5 V battery



Radio internal push button FIT 1 BS

1 button function with large button for simple operation



Radio internal push button FIT 4 BS

4 button functions



Radio internal push button FIT 5 BS

4 button functions plus query button



Radio receiver electric socket FES 1 BS

For switching lights and other devices on and off up to 2500 watt

FES 1-1 BS

For controlling (impulse) operators of other makes and switching lights and other devices on and off up to 2500 watts

The hand transmitter in the smartphone

With the new Hörmann BlueSecur App, you can conveniently operate your garage door or entrance gate as well as entrance door locks and internal door operators via Bluetooth* with your smartphone. Customise the interface individually to your wishes. In addition, other user permissions** can be permanently or temporarily transferred to other smartphones, so that every family member always has their “hand transmitter” with them.

* In conjunction with an internal or external Hörmann Bluetooth receiver

** In-app purchases may be required





**Bluetooth receiver
HET-BLE ■ NEW**

For operation, impulse control of garage door and entrance gate operators, entrance door locks and internal door operators via the Hörmann BlueSecur app



**Hörmann BlueSecur App
■ NEW**

Free-of-charge download from the App Store or via Google Play



Radio receiver ESE

For a choice of direction "Open – Stop – Close" directions on different buttons of a control element, for SupraMatic operator*



Receiver HER 1

Receiver (1, 2 or 4 channels) to operate an additional external light or a garage door (of other make) using Hörmann radio accessories

* SupraMatic from year of manufacture 2014 onwards, serial version CI

Optimum ventilation of the garage can effectively prevent mould

It is very important to ventilate the garage regularly; especially if insulated garage doors are fitted in poorly insulated garages. The climate sensor automatically regulates the right ventilation. It automatically opens the door if humidity in your garage is too high. The door is automatically closed once humidity in the garage has been regulated again.





1



2

1 Inside climate sensor HKSI for automatic garage ventilation

- For monitoring humidity in the garage
- For automatic ventilation of the garage using the “2nd opening height” operator function
- If humidity is too high, the door automatically opens
- When humidity is adjusted, the door closes again automatically
- Adjustable temperature range in which the door does not open (e.g. if there is a risk of frost in the garage)
- Adjustable operating hours (e.g. overnight shut-off)
- Adjustable opening hours (e.g. max. 2 hours per ventilation)
- Possible upgrade with exterior sensor HKSA 2: measures the humidity outside and prevents the door from opening in case of high humidity levels
- Possible upgrade with an on-site fan for fast and effective ventilation
- For operator SupraMatic 3 (from Index C) and operator WA 300 S4 (from Index D)



3

3 Ventilation slot on the topmost section for sectional garage doors

- Ventilation slot through optional folding roller bracket on the top section
- Bottom door section remains sealed on the ground, thus offering protection against small animals or leaves
- Can be operated at the push of a button via the “2nd opening height” operator function
- Optionally available for all sectional garage doors LPU 67 Thermo, LPU 42* with operator
- All sectional garage doors LPU 42* can be retrofitted with operator SupraMatic or ProMatic (from year of construction 2012)

* Only track application N, L, Z, not for doors with wicket door

For more detailed information, please see the Sectional Garage Door brochure.





Emergency power supply

1 Emergency battery HNA for garage door operators

With this emergency power, you can bypass network power failures for up to 18 hours and max. 5 door cycles. The emergency battery recharges itself during normal operation. Emergency batteries can be added to all current Hörmann garage door operators.



2 Emergency battery HNA Outdoor for entrance gate operators

The RotaMatic and VersaMatic hinged gate operators, and LineaMatic sliding gate operator can also be equipped with an emergency power supply to bridge power failures. They can be universally fitted to the wall or floor.

Additional emergency release

For garages without a second entrance, we offer you the following options to open your door from the outside in case of emergency (e.g. power failure):



3 Sectional door without handle

The emergency release lock with an inconspicuous round cylinder (cannot be integrated in the home locking system) releases your garage door and you can easily open it in the case of an emergency.

4 Hinged or sectional door with handle

For up-and-over and sectional doors with a handle, you can use a lever handle to operate the emergency release. The door is then unlocked via a Bowden cable on the inside. The emergency release handle including lock can be integrated in the home locking system (a door handle on a garage sectional door is shown).



Security

5 Photocell

Hörmann's reliable one-way photocell systems immediately stop the door if the light beam is interrupted. They can be directly fitted to the door or integrated in STL key switch posts (see page 41).



DIMENSIONS AND FITTING DATA

Garage door operators SupraMatic, ProMatic

		 BiSecur SupraMatic E	 BiSecur SupraMatic P	 BiSecur ProMatic	ProMatic Akku
Door cycles (open / close)	Per day / hour	25 / 10	50 / 10	12 / 5	5 / 2
Suitable for:	Doors with wicket doors / timber doors	- / ●	●* / ●	- / ●**	- / -
	Max. door width	5500 mm	6000 mm***	5000 mm	3000 mm
	Max. door leaf surface	13.75 m ²	15.00 m ²	11.25 m ²	8 m ²
Operator data	24 V DC gear drive	●	●	●	●
	Mains voltage	230 V – 240 V AC			See the technical manual
	Power input	0.2 kW	0.2 kW	0.2 kW	
	Pull and push force	650 N	750 N	600 N	350 N
	Brief peak force	800 N	1000 N	750 N	400 N
	Opening speed	Approx. 22 cm/s	Approx. 22 cm/s	Approx. 14 cm/s	Approx. 13 cm/s
	Standby	< 1 watt	< 1 watt	< 7 Watt	< 0.1 watt
	Housing	Aluminium and plastic, galvanized steel base plate		Plastic, galvanized steel base plate	
	Temperature range	-20 °C to +60 °C			-15 °C to +45 °C
	Protection category	Only suitable for dry rooms			
Control electronics	Impulse control	●	●	●	●
	Power limit	●	●	●	●
	Adjustable soft start and soft stop	●	●	●	●
	Display	Double 7-segment display		LED	LED
	Adjustable operator light and partial opening	●	●	- / ●	-
	Adjustable automatic timer	●	●	●	-
	Hold-open phase after activation	30 – 180 s	30 – 180 s	30 s	-
Equipment	Hand transmitter (868 MHz)	HS 5 BS (textured surface black)		HSE 4 BS (textured surface black with plastic caps)	
	Integrated receiver (868 MHz)	Bi-directional 3-channel receiver BS		Bi-directional 2-channel receiver BS	Receiver fixed code
	Query of the door position	●	●	○	-
	Control buttons	on the operator cover		in the operator cover	
	Photocell	-	● / EL 101	-	-
	High-speed opening	●	●	-	-
	Quick release operated from inside	●	●	●	●
	Connecting lead with Euro plug	●	●	●	-
	Adjustable, integrated garage door lighting / preset	● / 60 s	● / 60 s	● / 120 s	● / 30 s
	Anti-lift kit for break-in resistance	●	●	●	●
Universal installation bracket for up-and-over doors and sectional doors	●	●	●	●	

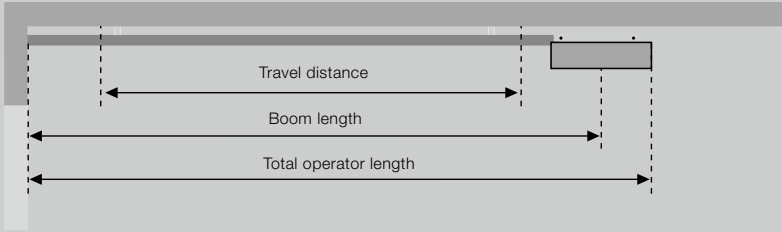
* A photocell is required for doors with wicket doors.

** Timber doors with max. 3.5 m door width and 9 m² door leaf surface

*** > 5500 mm only in conjunction with an FS 60 operator boom and fitting bracket

● = Standard

○ = Optional with hand transmitter HS 5 BS

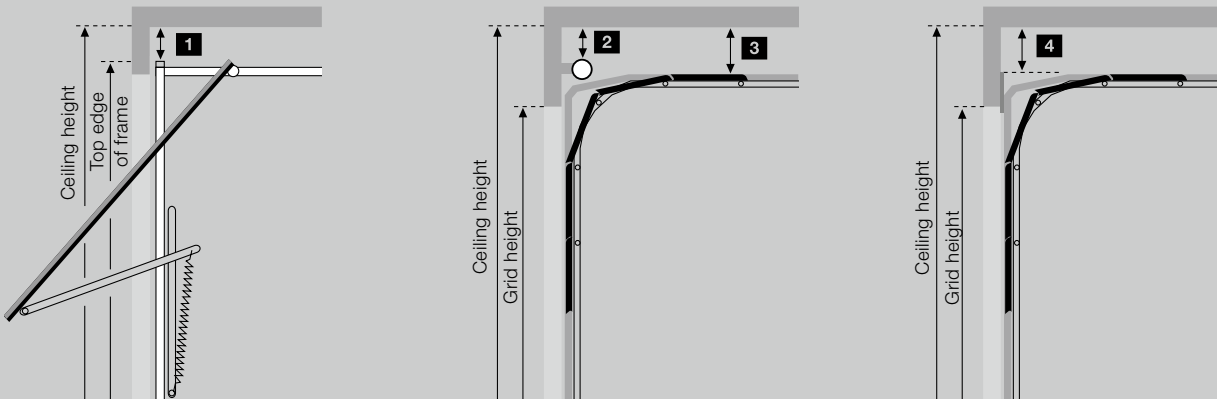


Type of boom	Overall length	Boom length	Travel distance
K Short boom	3200	2975	2475
M Medium boom	3450	3225	2725
L Long boom	4125	3900	3400

Boom applications for Hörmann garage doors

	Height
K Up-and-over garage doors Sectional garage doors with track application N Sectional garage doors with track application Z, L, H	Up to 2500 Up to 2250 Up to 2125
M Up-and-over garage doors Sectional garage doors with track application N Sectional garage doors with track application Z, L, H	Up to 2750 Up to 2500 Up to 2375
L Sectional garage doors with track application N, Z, L, H	Up to 3000

Note the travel distance for doors from other manufacturers!






Required space

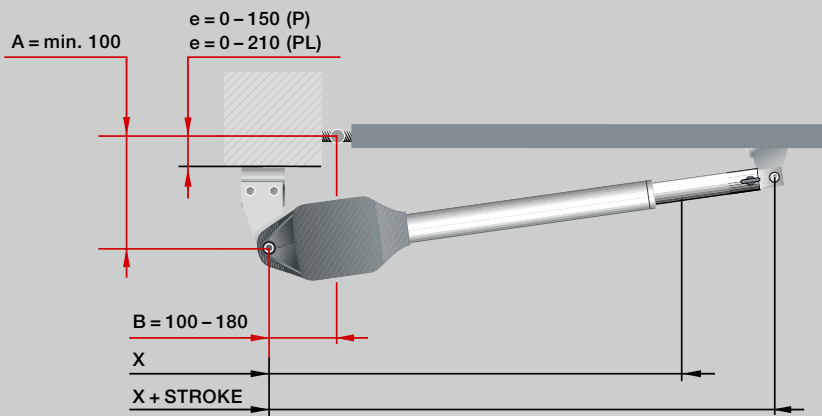
1 Up-and-over garage doors		2 Garage sectional doors with torsion spring assembly		4 Garage sectional doors with tension spring assembly	
N 80	0	With track application N; ceiling height = grid height + 210	0	With track application Z; ceiling height = grid height + 115	15
N 80, style 905, style 941 or with timber infill	15	With track application H	0		
DF 98, DF 95, DF 80	65				
		3 Garage sectional doors with torsion spring assembly		Doors from other manufacturers	
		With track application L ceiling height = grid height + 115	15	Between the highest point of door travel and the ceiling	30

All dimensions are minimum dimensions.
Dimensions in mm

Hinged gate operators RotaMatic

		 BiSecur RotaMatic	 BiSecur RotaMatic P	 BiSecur RotaMatic PL	RotaMatic Akku-Solar
Door cycles (open / close)	Per day / hour	20 / 5	40 / 10	40 / 10	5 / 2
Suitable for:	Max. door height	2000 mm	2000 mm	2000 mm	3000 mm
	Max. door leaf width	1000 – 2500 mm	1000 – 2500 mm	1500 – 4000 mm	1000 – 2500 mm
	Max. door leaf weight	220 kg	400 kg	400 kg	120 kg
Operator data	Motor	24 V DC gear drive			
	Mains voltage	230 V – 240 V AC, 50 Hz			See the technical manual
	Pull and push force	2000 N	2500 N	2500 N	1000 N
	Brief peak force	2200 N	2700 N	2700 N	1100 N
	Standby	< 7 Watt	< 7 Watt	< 7 Watt	< 0.1 watt
	Housing	Aluminium / weather-resistant plastic	Aluminium / die-cast zinc / weather-resistant plastic	Aluminium / die-cast zinc / weather-resistant plastic	Aluminium / weather-resistant plastic
	Temperature range		–20 °C to +60 °C		–15 °C to +45 °C
	Protection category	IP 44	IP 44	IP 44	IP 44
	Protection category (separate control housing)	IP 65	IP 65	IP 65	IP 65
	Control electronics	Impulse control	●	●	●
	Power limit	●	●	●	●
	Soft start and soft stop	●	●	●	●
	Adjustable automatic timer	●	●	●	●
	Number of connectable safety devices	2	2	2	1
End-of-travel position	Closed	Can be set with an integrated limit switch or end stop			
	Open	Programmable (i.e. no end stop required!)			
Equipment	Hand transmitter (868 MHz)	HS 5 BS (textured surface black)			HSE 4 BS (textured surface black with plastic cap)
	Receiver (868 MHz)	Bi-directional 5-channel receiver ESE BS			Fixed code receiver for the impulse and partial opening functions
	Query of the door position		●		–
Electrical connection	Electric connecting lead	230 V, NYY 3 × 1.5 mm ² (on-site)			
	Motor cable	Connecting lead up to 10 m NYY 5 × 1.5 mm ² (on-site)			
	Additional connection cable	All leads underground NYY, e.g. 5 × 1.5 mm ²			
	Electric lock connection lead	NYY 3 × 1.5 mm ² (on-site) underground H07RN-F 2 × 1 mm ² on the door leaf			

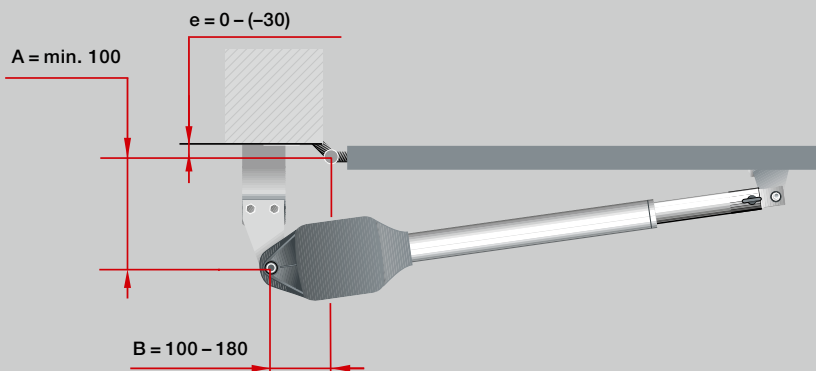
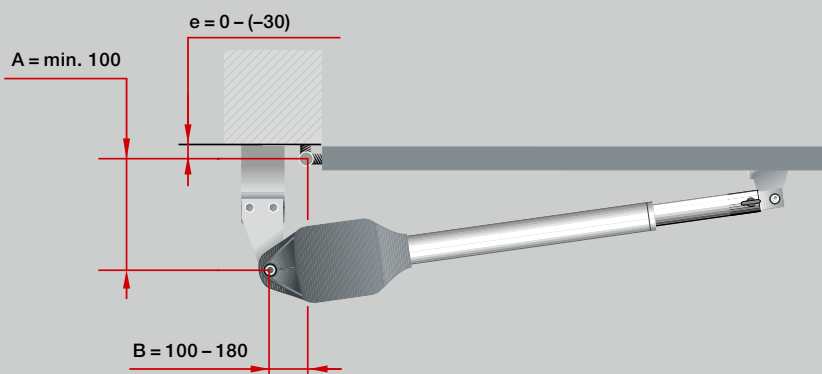
Lay all cables separately!



RotaMatic

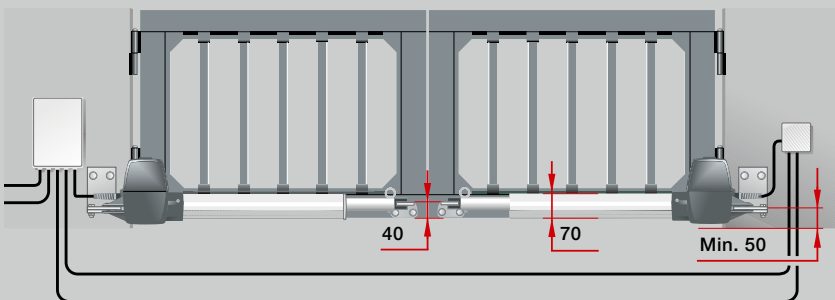
Dimensions	x	x + stroke
RotaMatic / RotaMatic P	720	1120
RotaMatic PL	820	1320

e = distance between door pivot and mounting plate



For Hörmann partners

With the planning program for hinged gate operators, Hörmann supports you in planning and fitting your hinged gate operator. You can find the program in the Hörmann dealer forum as a free download.





All dimensions are minimum dimensions.
Dimensions in mm

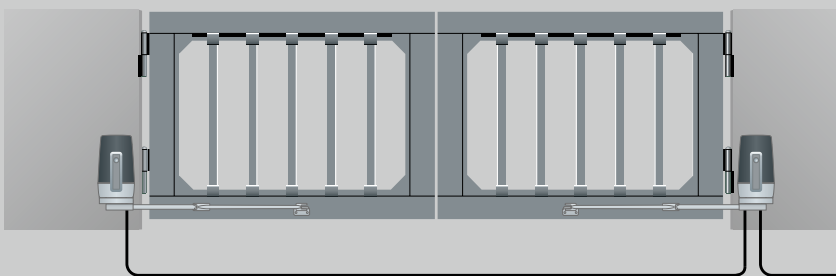
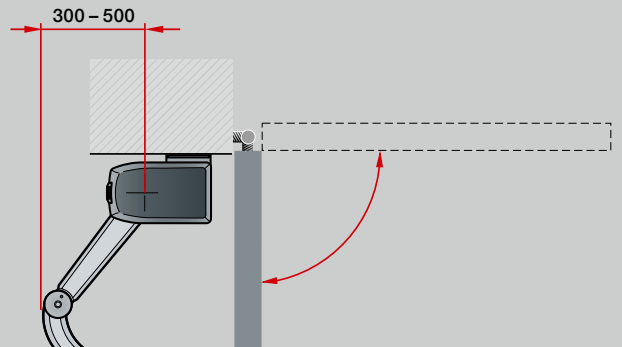
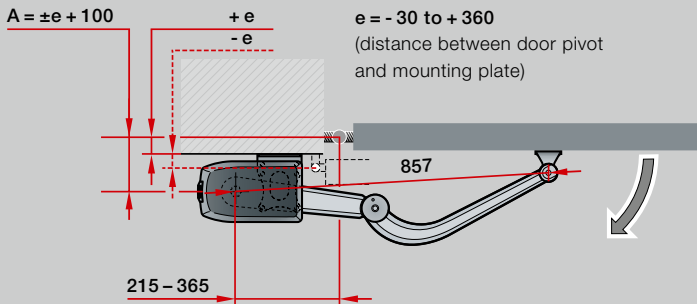
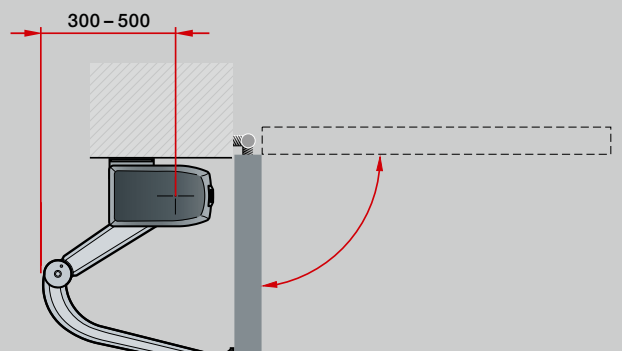
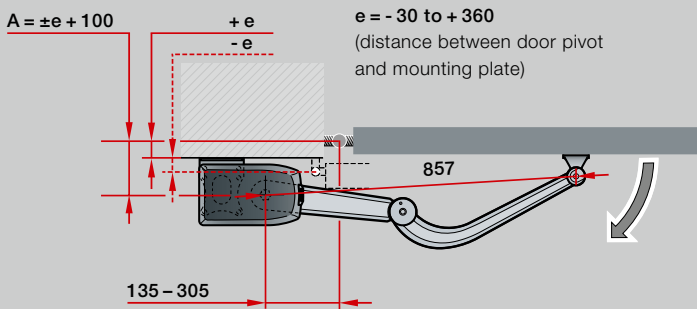
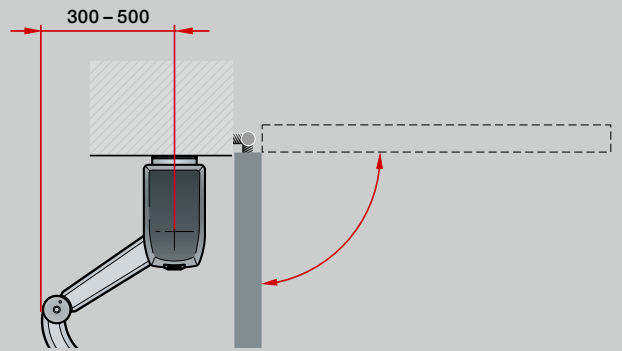
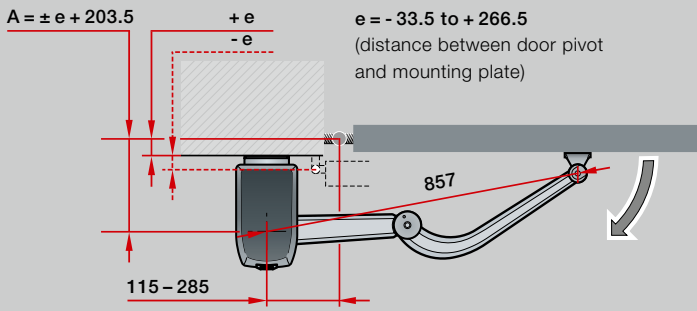
Please note:

To ensure optimum door travel, the maximum difference between the A dimension and the B dimension must be 40 mm. All illustrations and information with standard tracks. Additional equipment features possible.

Hinged gate operators VersaMatic

		 BiSecur	 BiSecur	
		VersaMatic	VersaMatic P	VersaMatic Akku-Solar
Door cycles (open / close)	Per day / hour	20 / 5	40 / 10	5 / 2
Suitable for:	Max. door height	2000 mm	2000 mm	2000 mm
	Max. door leaf width	1000 – 2000 mm	1000 – 3000 mm	1000 – 2000 mm
	Max. door leaf weight	200 kg	300 kg	120 kg
Operator data	Motor	24 V DC gear drive		
	Mains voltage	230 V – 240 V AC, 50 Hz		
	Nominal torque	50 Nm	60 Nm	50 Nm
	Maximum torque	250 Nm	300 Nm	250 Nm
	Maximum idle speed	Approx. 2.6 rpm	Approx. 2.7 rpm	Approx. 2.6 rpm
	Standby	< 1 watt	< 1 watt	< 0.4 watts
	Housing	Aluminium / zinc diecast / weather-resistant, glass-fibre reinforced plastic		
	Temperature range	–20 °C to +60 °C		–15 °C to +45 °C
	Protection category	IP 44	IP 44	IP 44
	Protection category (separate control housing)	IP 65	IP 65	IP 65
Control electronics	Impulse control	●	●	●
	Power limit	●	●	●
	Soft start and soft stop	●	●	●
	Adjustable automatic timer	●	●	●
	Number of connectable safety devices	3	3	1
	End-of-travel position	Closed	Adjustable via integrated end stop or on-site end stop	
Open		Adjustable through integrated end stop or programmable (i.e. no on-site end stop required!)		
Equipment	Hand transmitter (868 MHz)	HS 5 BS (textured surface black)		
	Receiver (868 MHz)	Bi-directional 5-channel receiver ESE BS		
	Query of the door position	●		
Electrical connection	Electric connecting lead	230 V, NYY 3 × 1.5 mm ² (on-site), max. length 30 m		
	Motor cable	NYY 5 × 1.5 mm ² (on-site)		
	Additional connection cable	All leads underground NYY, e.g. 5 × 1.5 mm ² (on-site, maximum length 30 m)		
	Electric lock connection lead	NYY 3 × 1.5 mm ² (on-site, maximum length 30 m) underground H07RN-F 2 × 1 mm ² on the door leaf		

Lay all cables separately!





All dimensions are minimum dimensions.
Dimensions in mm

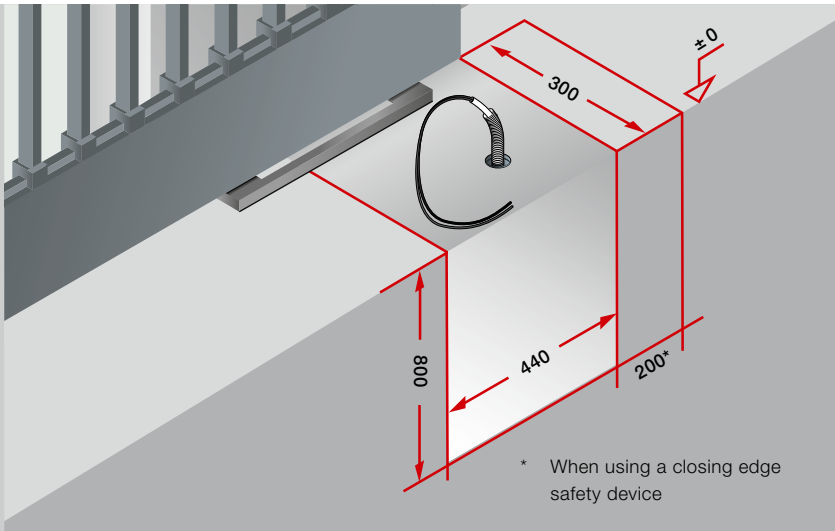
Please note:
All illustrations and information with standard tracks. Additional equipment features possible.

DIMENSIONS AND FITTING DATA

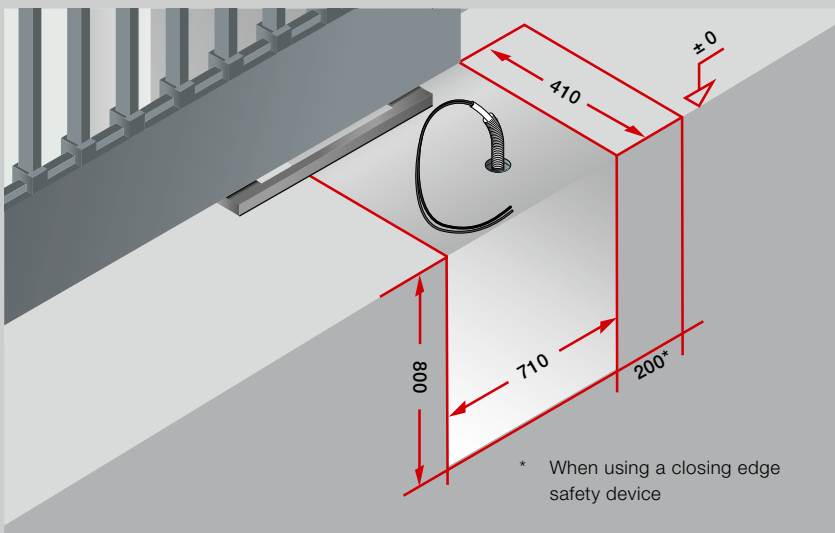
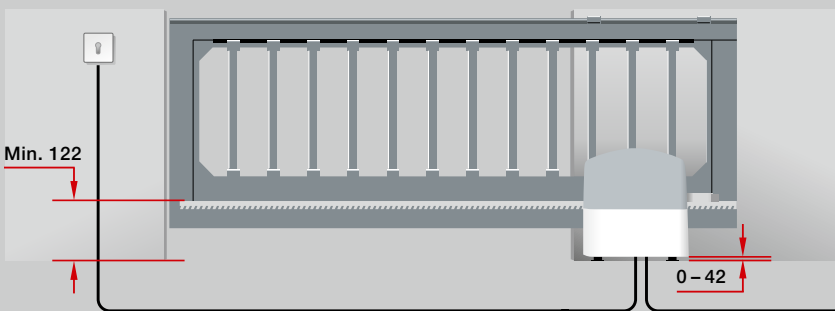
Sliding gate operators LineaMatic, STA 400

		 BiSecur LineaMatic	 BiSecur LineaMatic P	LineaMatic H	STA 400
Door cycles (open / close)	Per day / hour	20 / 5	40 / 10	40 / 10	100 / 20
Suitable for:	Max. door height	2000 mm	2000 mm	2000 mm	3000 mm
	Max. door width	1300 – 6000 mm	1300 – 8000 mm	1300 – 10000 mm	1000 – 17000 mm
	Max. door weight				
	For bottom-guided gates	300 kg	500 kg	800 kg	2500 kg
	For self-supporting gates	250 kg	400 kg	600 kg	1800 kg
Operator data	Motor	24 V DC gear drive			1-phase current gear drive
	Mains voltage	230 V – 240 V AC, 50 Hz			
	Pull and push force	650 N	1000 N	1200 N	2000 N
	Brief peak force	800 N	1200 N	1400 N	2300 N
	Standby	< 7 Watt	< 7 Watt	< 7 Watt	< 7 Watt
	Housing	Zinc die-cast / weather-resistant plastic			Weather-resistant plastic
	Temperature range	–20 °C to +60 °C			
	Protection category	IP 44	IP 44	IP 44	IP 65
Control electronics	Control integrated in the housing	●	●	●	●
	Adjustable power limit	●	●	●	●
	Adjustable soft start and soft stop	●	●	●	●
	Magnetic limit switch	●	●	●	
	Electronic door position sensor				●
	Integrated automatic timer	●	●	●	●
	Passage of pedestrians programmable	●	●	●	●
	Number of connectable safety devices	3	3	3	3
Equipment	Hand transmitter (868 MHz)	HS 5 BS (textured surface black)			Without remote control
	Receiver (868 MHz)	Bi-directional 5-channel receiver ESE BS			
	Query of the door position	●		–	–
	Photocell (only for version SK)	One-way photocell EL 301			–
	Warning light (only for version SK)	LED warning light SLK, yellow, for floor and wall fitting			–
Electrical connection	Electric connecting lead	230 V, NYY 3 × 1.5 mm ² (on-site)			
	Additional connection cable	All leads underground NYY, e.g. 5 × 1.5 mm ²			
	Foundation dimensions	Min. 440 × 300 × 800 mm (frost resistant)			710 × 410 × 800 mm (frost resistant)
	Connecting lead	See the figure for position of tube			

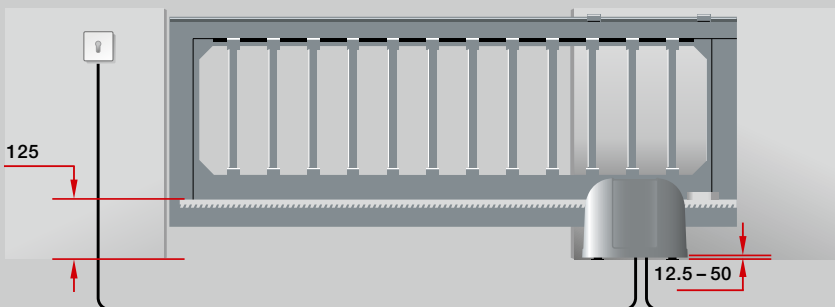
Lay all cables separately!



LineaMatic



STA 400



All dimensions are minimum dimensions.
Dimensions in mm

Please note:
In order to comply with the requirements of DIN EN 13241, we recommend using a closing edge safety device.



Experience Hörmann quality in new construction and modernisation

Hörmann provides an excellent basis for comprehensive planning. Carefully matched solutions offer you the very best in perfectly designed products for every area.

- **Garage doors**

Optimally match your personal architectural style: up-and-over or sectional doors made of steel or timber.

- **Gate and Door Operators**

Enjoy extra convenience and break-in-resistant security with Hörmann operators for garage doors and entrance gates. You can profit from the convenience of Hörmann door operators in your residential space as well.

- **Entrance doors**

Our comprehensive entrance door ranges include models that fit almost every need and requirement.

- **Steel doors**

Sturdy doors for your entire home, from basement to roof.

- **Frames**

Choose from our comprehensive range of products for new construction, expansion and modernisation.



Garage doors and entrance gate operators



Thermo65 / Thermo46 entrance doors



Steel doors

Hörmann: Quality without Compromise



Hörmann KG Amshausen, Germany



Hörmann KG Antriebstechnik, Germany



Hörmann KG Brandis, Germany



Hörmann KG Brockhagen, Germany



Hörmann KG Dissen, Germany



Hörmann KG Eckelhausen, Germany



Hörmann KG Freisen, Germany



Hörmann KG Ichttershausen, Germany



Hörmann KG Werne, Germany



Hörmann Alkmaar B.V., Netherlands



Hörmann Legnica Sp. z o.o., Poland



Hörmann Beijing, China



Hörmann Tianjin, China



Hörmann LLC, Montgomery IL, USA



Hörmann Flexon LLC, Burgettstown PA, USA



Shakti Hörmann Pvt. Ltd., India

Hörmann is the only manufacturer worldwide that offers you a complete range of all major building products from one source. We manufacture in highly-specialised factories using the latest production technologies. The close-meshed network of sales and service companies throughout Europe, and activities in the USA and Asia, make Hörmann your strong partner for first-class building products, offering “Quality without Compromise”.

GARAGE DOORS
OPERATORS
INDUSTRIAL DOORS
LOADING EQUIPMENT
HINGED DOORS
DOOR FRAMES

HÖRMANN