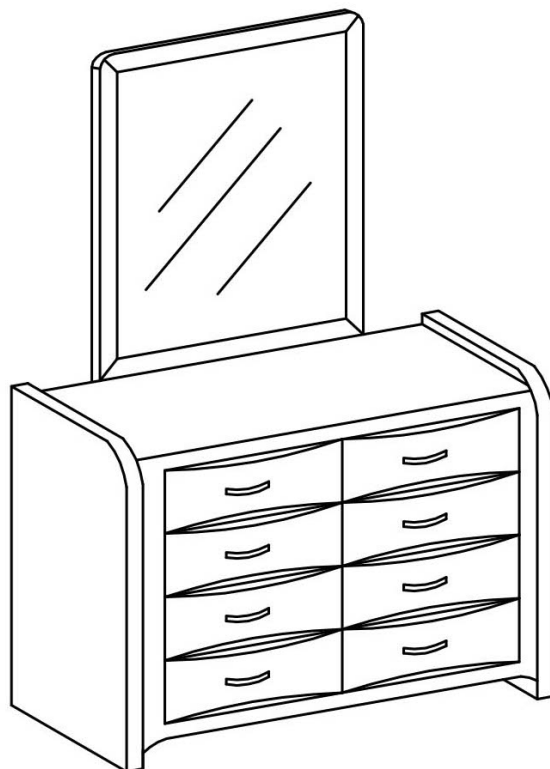


IFC

ITALIAN FURNITURE COMPANY (LEEDS) LTD.

ASSEMBLY INSTRUCTIONS

Azure Dresser & Mirror

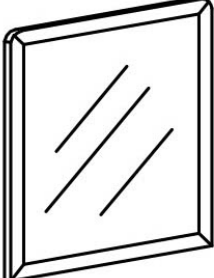


IMPORTANT: Please read these instructions carefully before attempting to assemble or use this item.

Please keep these instructions safe for future reference

Assembly Pieces

NO.	PART LIST	QTY
-----	-----------	-----

A	 MIRROR	1 PC
---	--	------

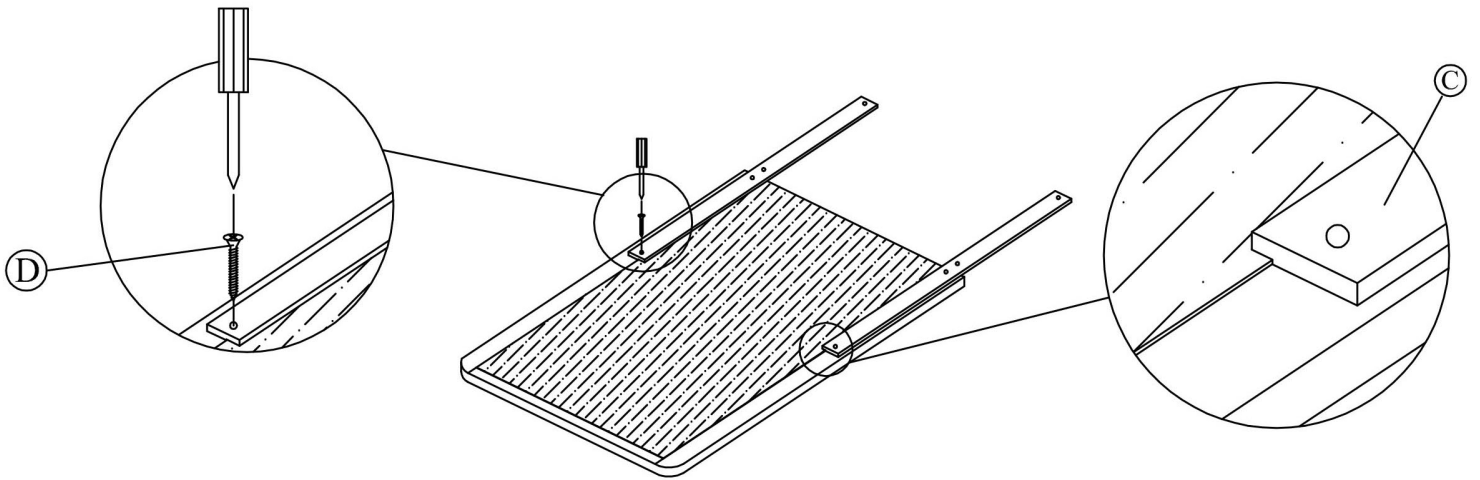
B	DRESSER 	1 PC
---	---	------

C	MIRROR SUPPORT 	2 PCS
---	---	-------

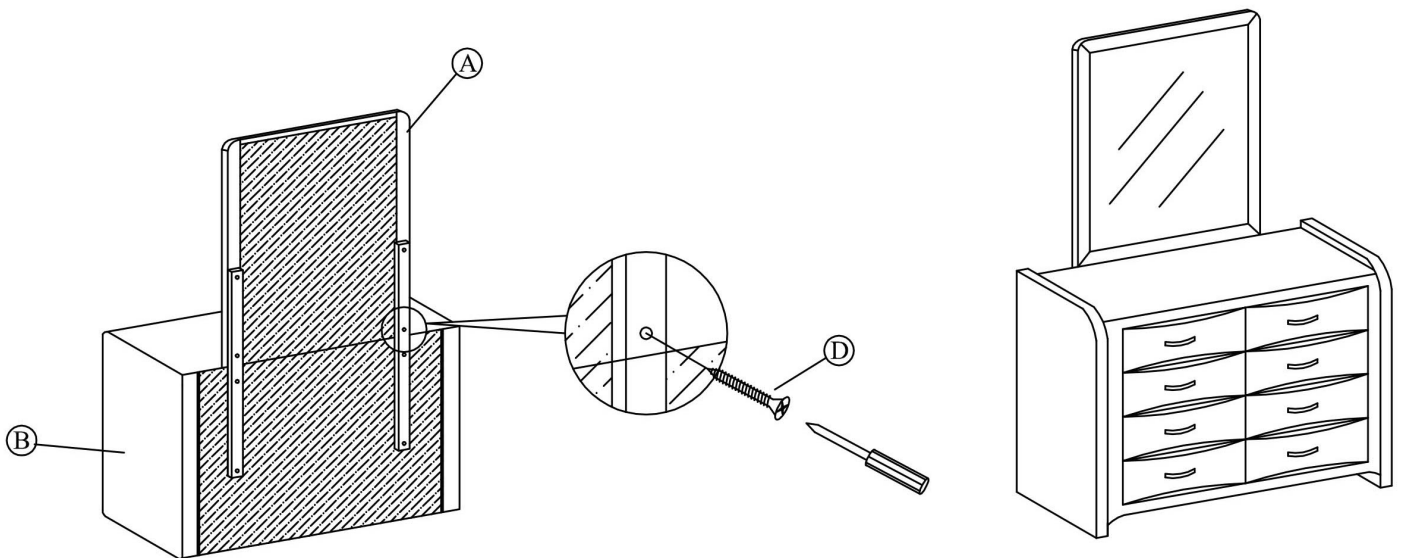
NO.	HARDWARE LIST	QTY
-----	---------------	-----

D	 CSK SCREW M4 x 25MM	8 PCS
---	--	-------

STEP 1 : Attach the Mirror support (C) to the back at the Mirror (A) as shown .



STEP 2 :Using the CSK Screw (D) tighten the Mirror (A)with Mirror support (C) to the back of Dresser (B).



COMPLETE ASSEMBLY!!!